

US00D455896S

(12) **United States Design Patent**
Peabody

(10) **Patent No.:** **US D455,896 S**

(45) **Date of Patent:** **** Apr. 23, 2002**

(54) **GOLF CLEAT**

(76) **Inventor:** **Steven R. Peabody**, P.O. Box 207,
Zionsville, IN (US) 46077

(**) **Term:** **14 Years**

(21) **Appl. No.:** **29/146,294**

(22) **Filed:** **Aug. 8, 2001**

(51) **LOC (7) Cl.** **02-04**

(52) **U.S. Cl.** **D2/962**

(58) **Field of Search** D2/962, 964, 946,
D2/954-958; 36/127, 134, 59 R, 61, 62,
65, 66, 67 R, 67 A, 67 B, 67 C, 67 D,
59 A, 59 B, 59 C, 59 D

(56) **References Cited**

U.S. PATENT DOCUMENTS

D436,248 S * 1/2001 Peabody D2/962

D448,547 S * 10/2001 Savoie D2/962

* cited by examiner

Primary Examiner—Louis S. Zarfes

Assistant Examiner—Gregory Andoll

(74) *Attorney, Agent, or Firm*—Richard L. Huff

(57) **CLAIM**

The ornamental design for a golf cleat, as shown.

DESCRIPTION

FIG. 1 is an elevational perspective view of the top of the golf cleat;

FIG. 2 is an elevational perspective view of the bottom of the cleat;

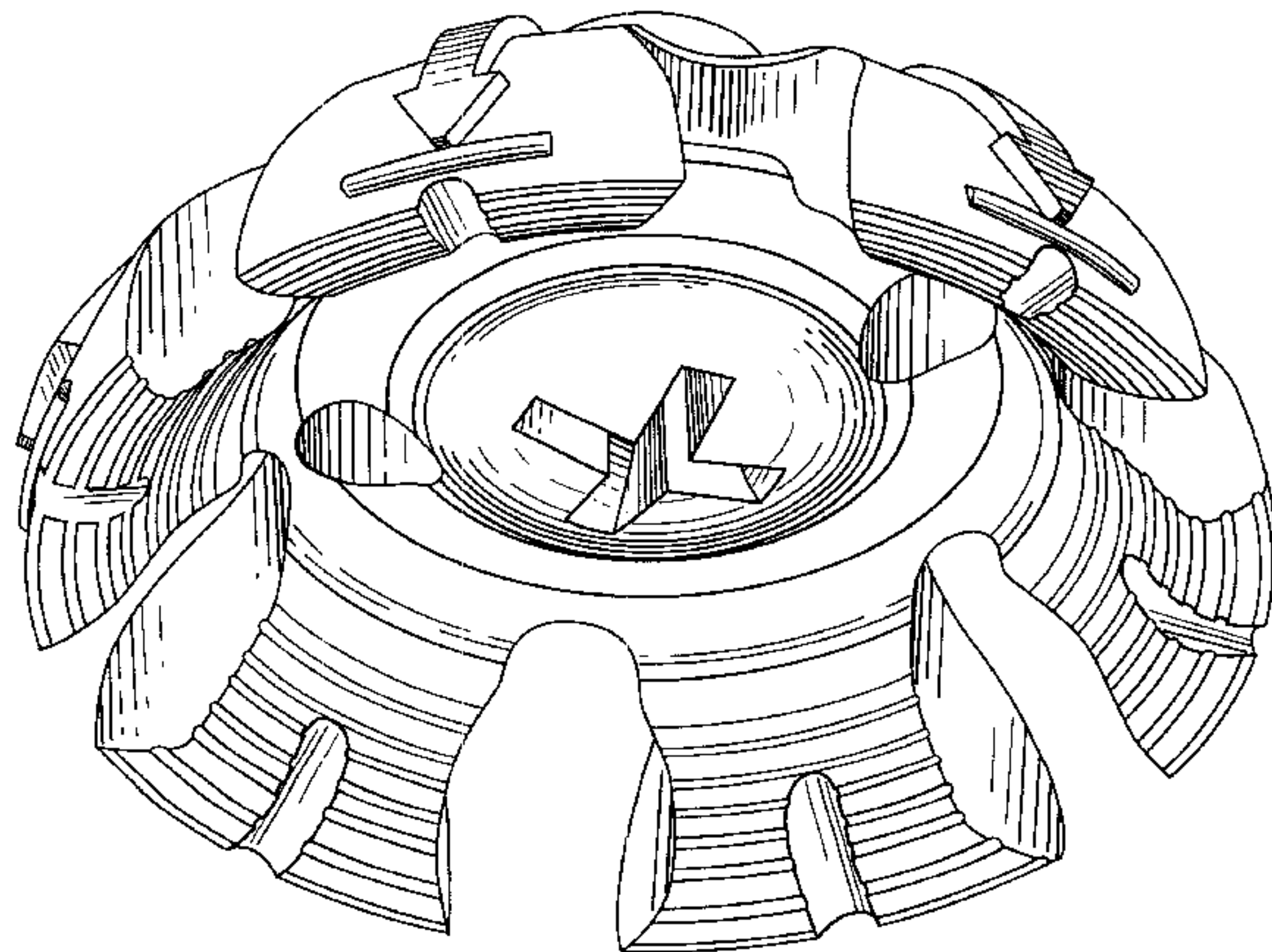
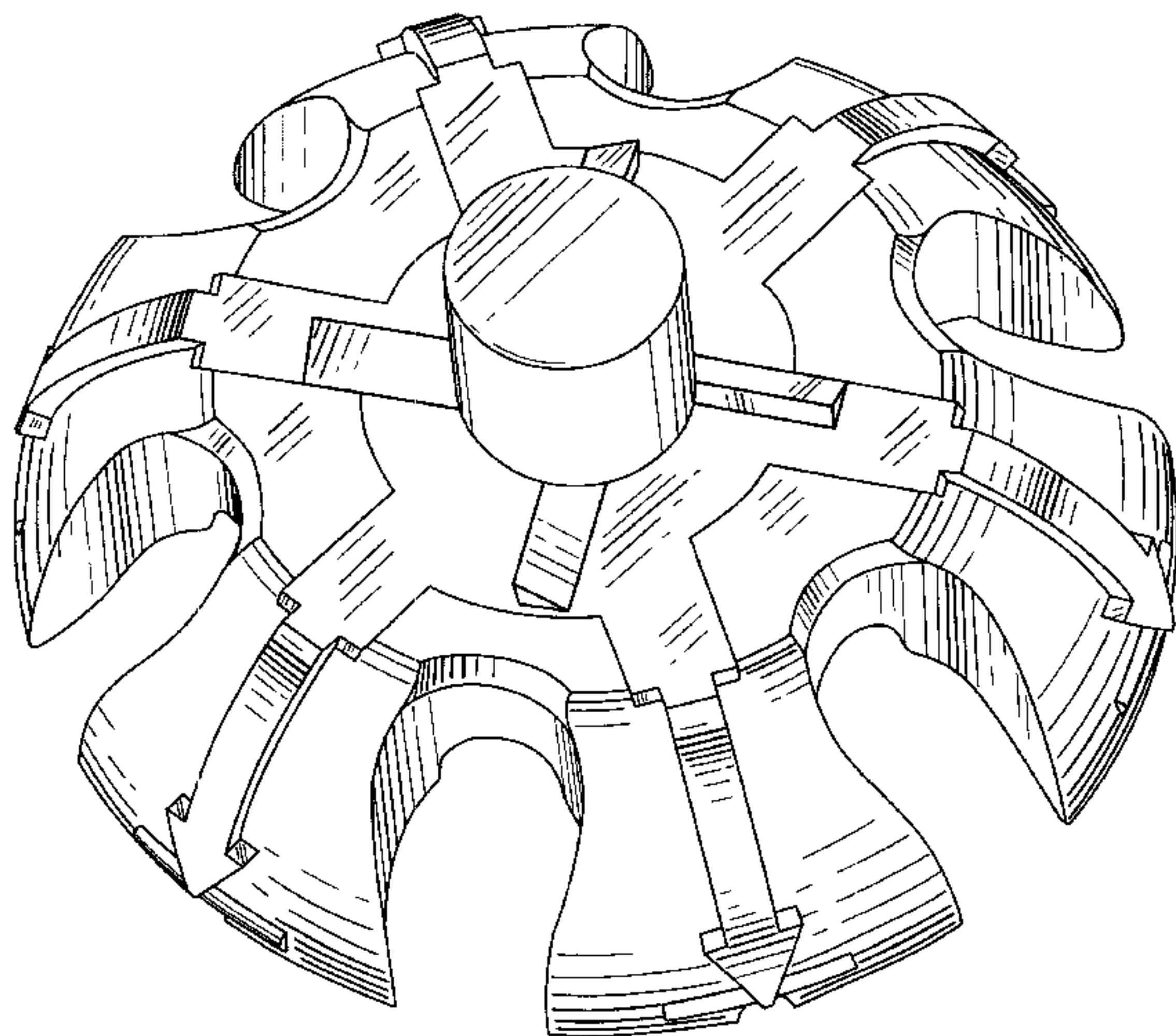
FIG. 3 is a top view of the cleat;

FIG. 4 is a bottom view of the cleat;

FIG. 5 is a side view of the cleat; and,

FIG. 6 is a view of the opposite side of the cleat as shown in FIG. 5.

1 Claim, 6 Drawing Sheets



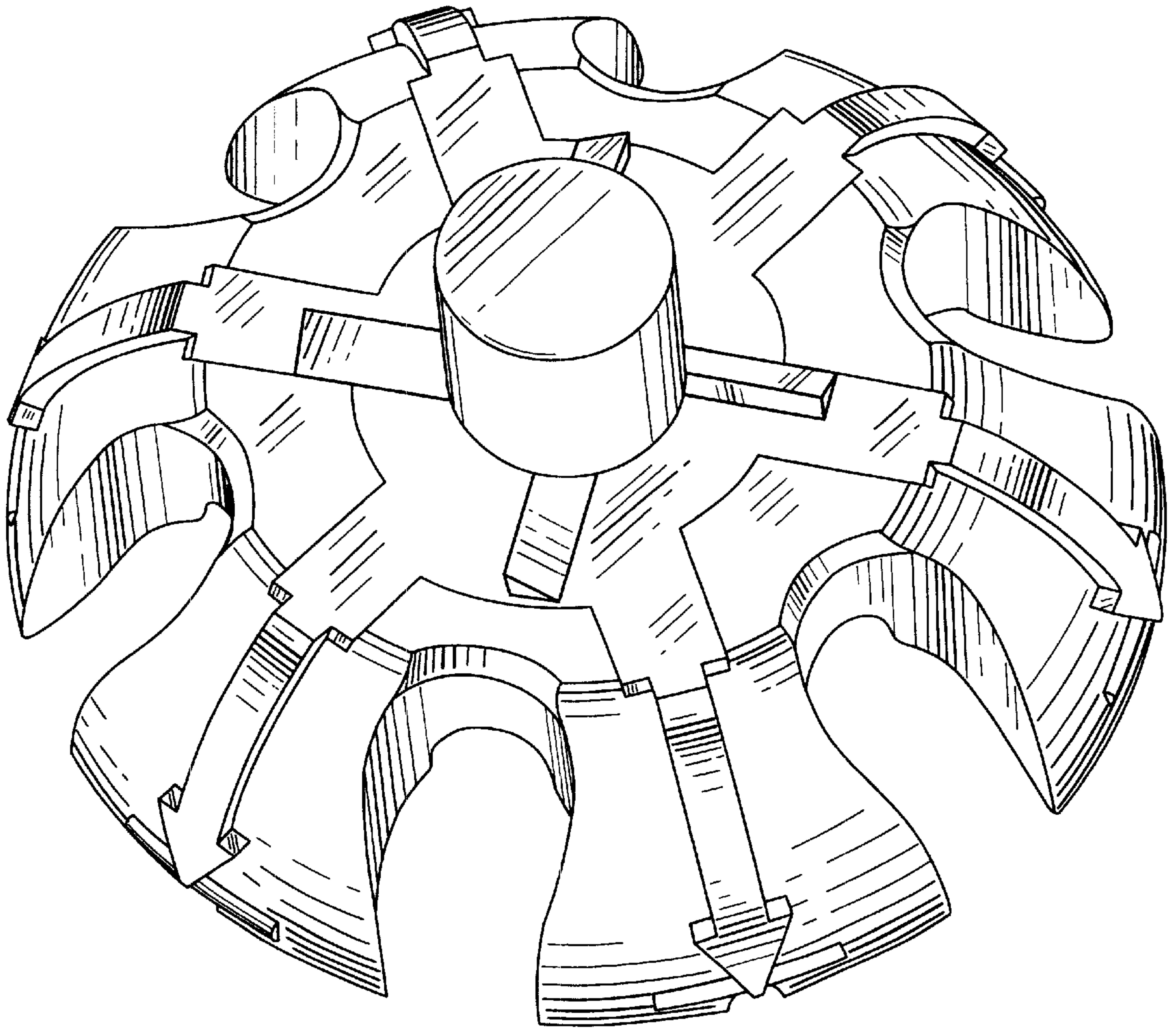


Fig. 1

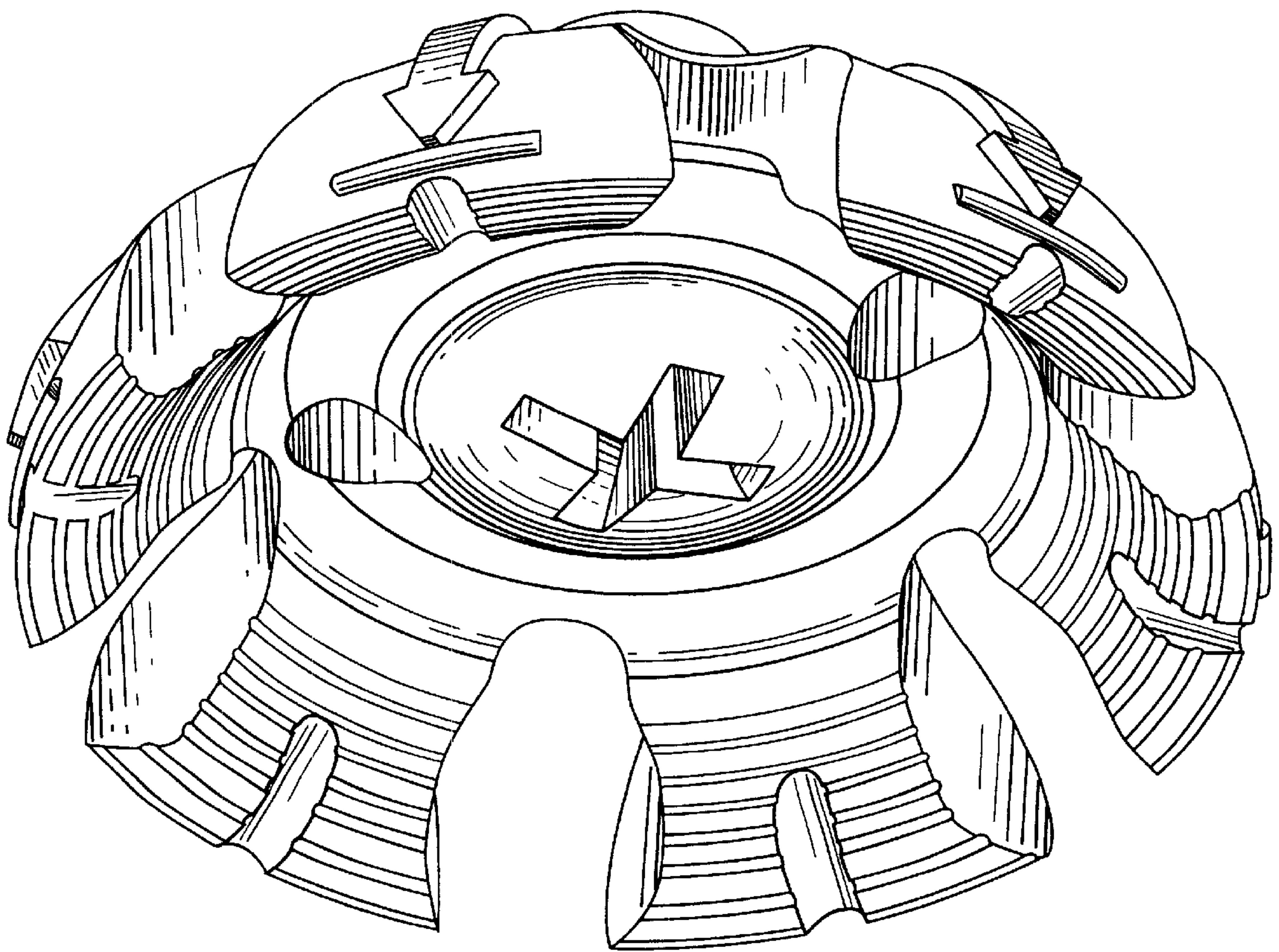


Fig. 2

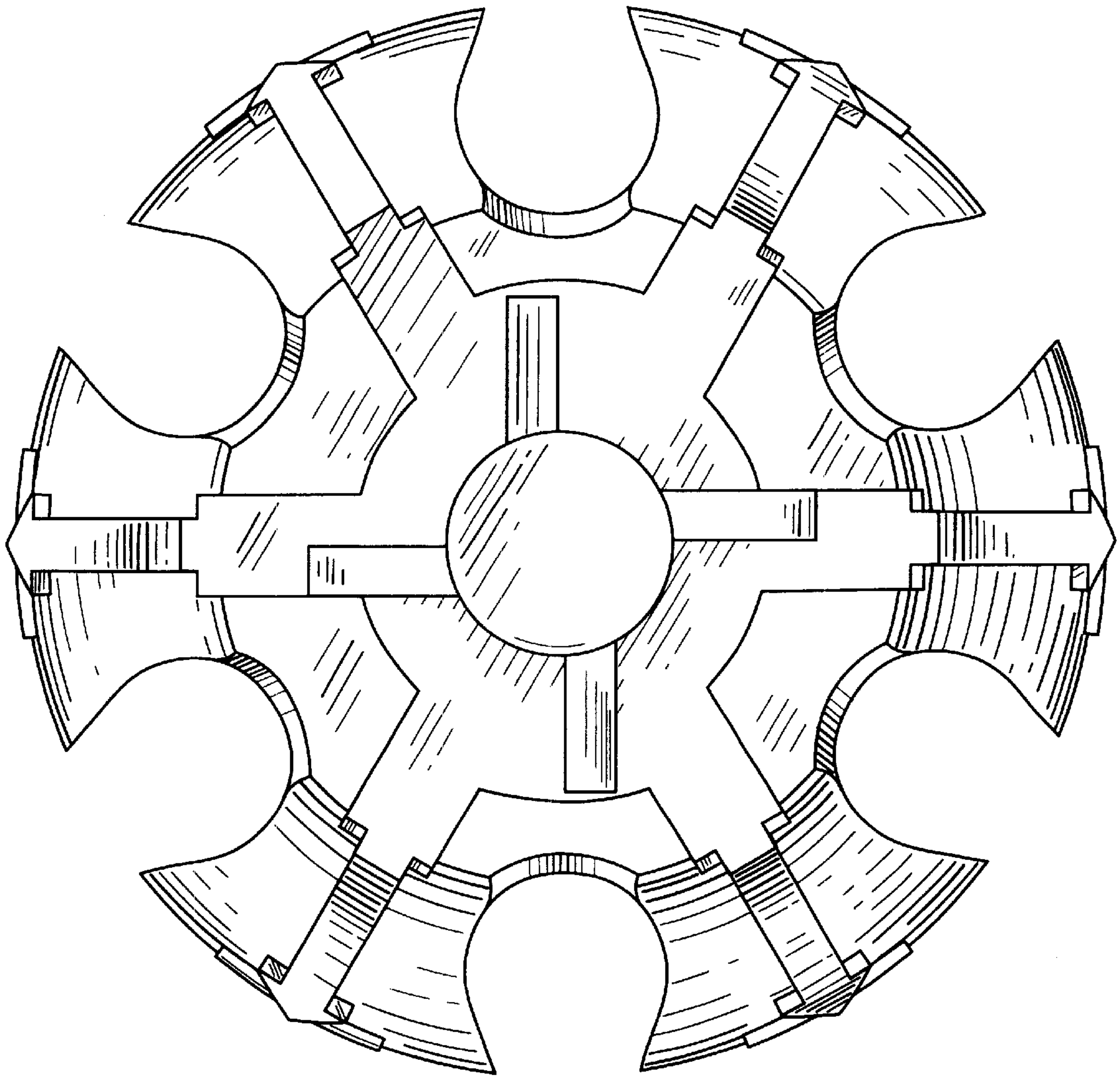


Fig. 3

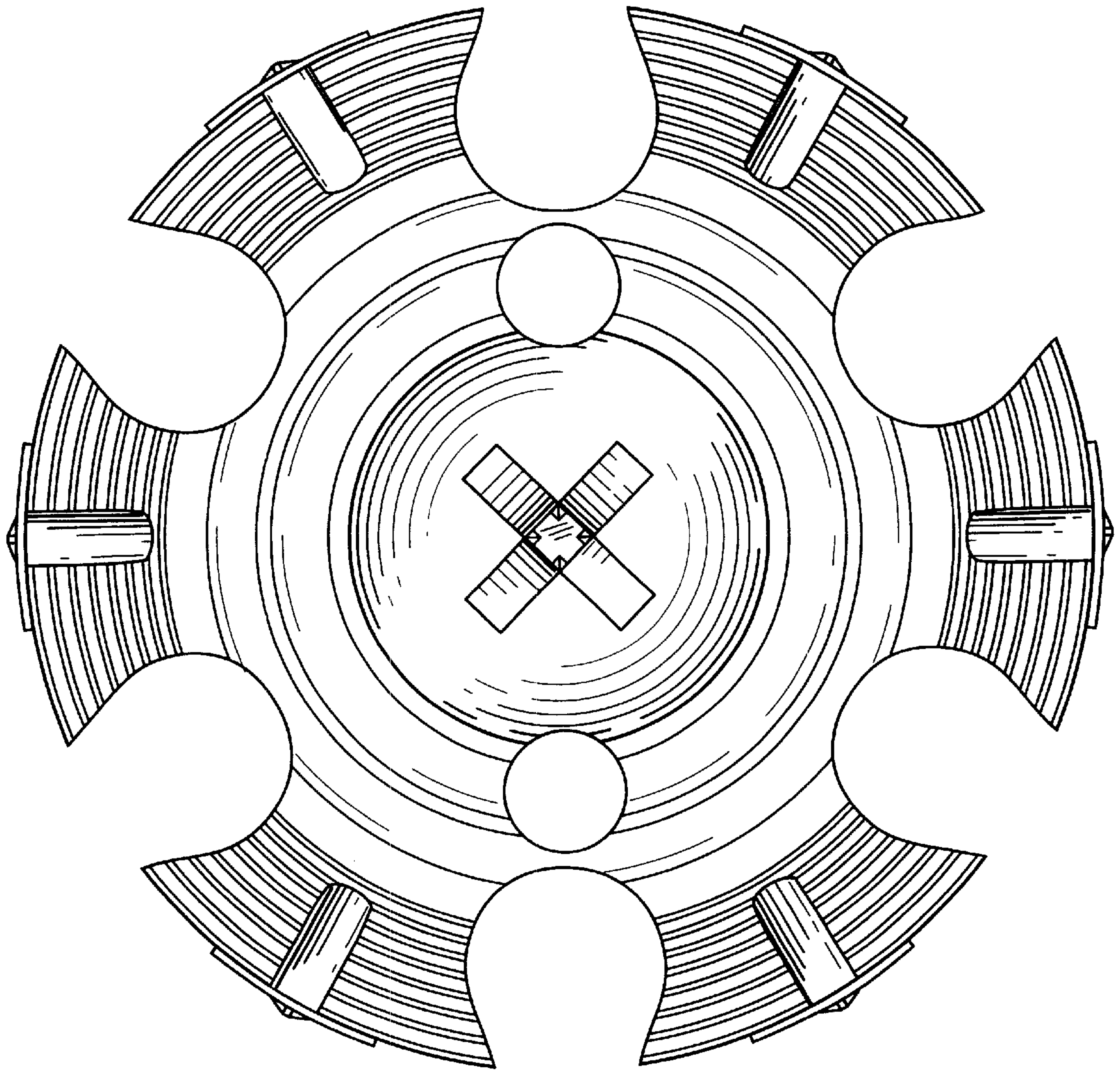


Fig. 4

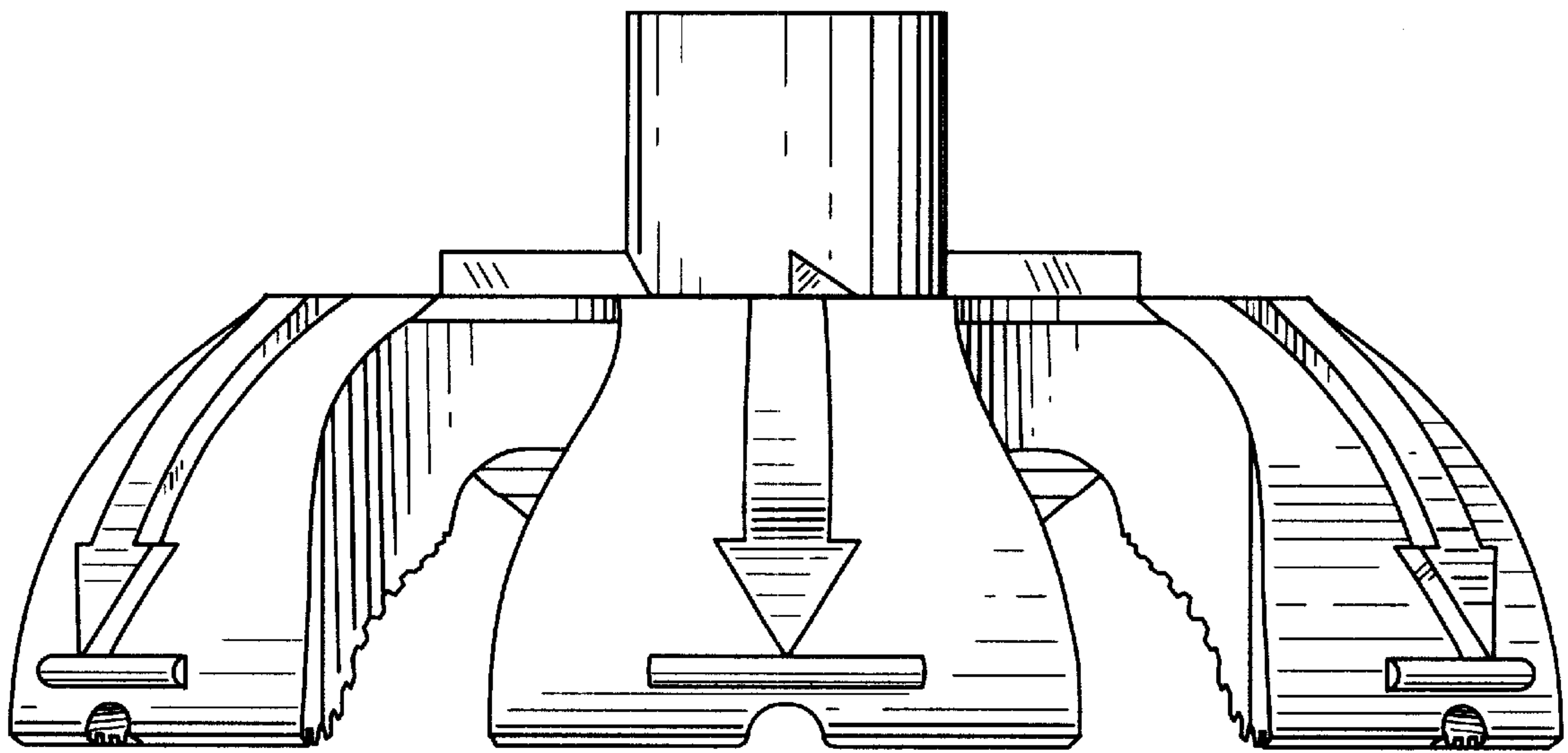


Fig. 5

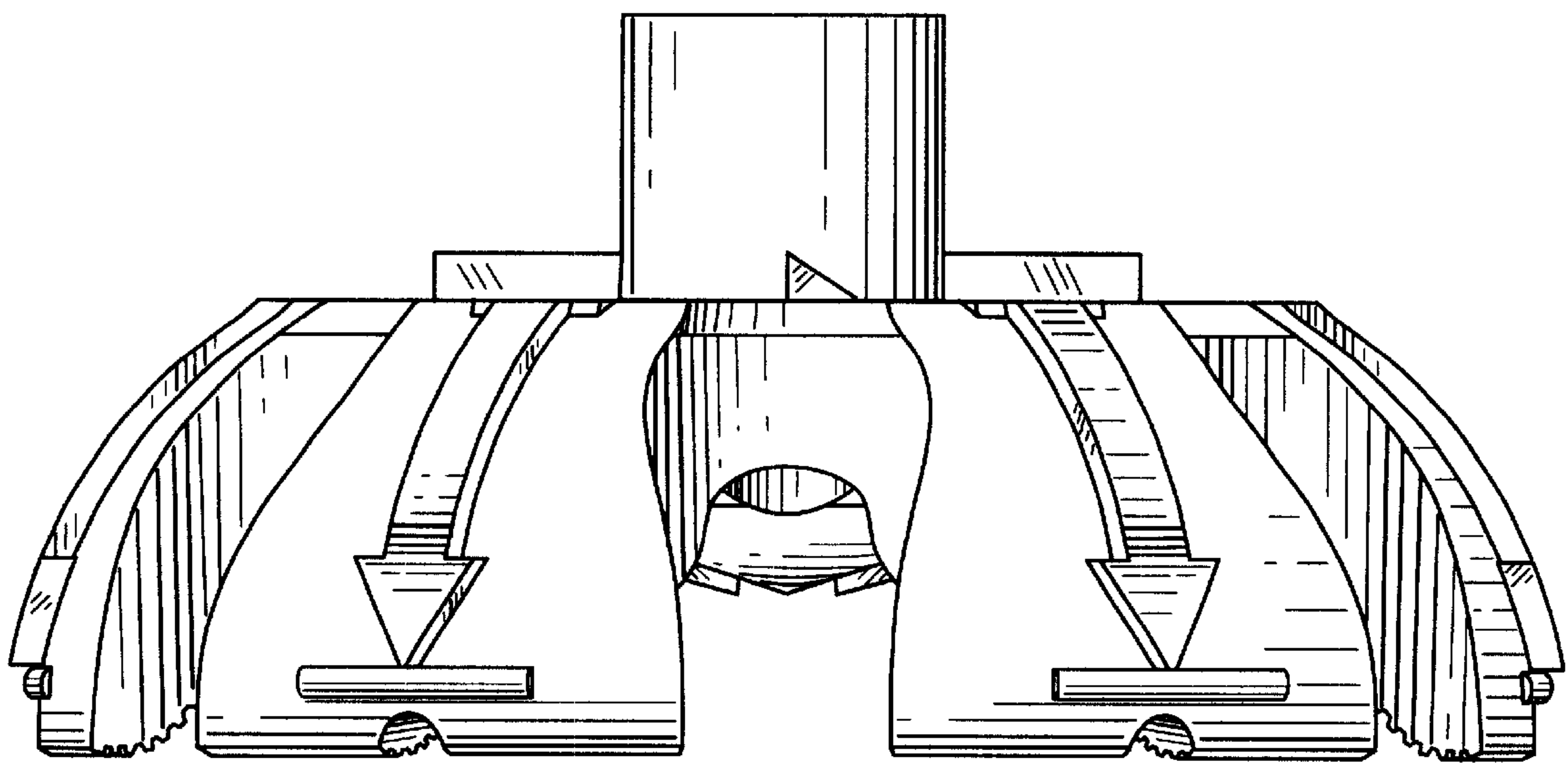


Fig.6