



US00D455894S

(12) **United States Design Patent**
Overfield

(10) **Patent No.:** **US D455,894 S**

(45) **Date of Patent:** **** Apr. 23, 2002**

(54) **DISPOSABLE SHOE COVER FOR USE WITH A DISPENSER**

Primary Examiner—Louis S. Zarfaz
Assistant Examiner—Gregory Andoll

(76) **Inventor:** **Nancy A Overfield**, 6575 Ridgewood Rd., Clarkston, MI (US) 48346

(**) **Term:** **14 Years**

(21) **Appl. No.:** **29/140,121**

(22) **Filed:** **Apr. 12, 2001**

(51) **LOC (7) Cl.** **02-04**

(52) **U.S. Cl.** **D2/912; D2/911; D2/910; D2/909; D2/900; D2/920**

(58) **Field of Search** D2/901, 909–915, D2/900, 920; 36/1.5, 2 R, 7.1 R, 7.2–7.4, 72 R, 72 A

(56) **References Cited**

U.S. PATENT DOCUMENTS

D139,619	S	*	12/1944	Schreiber	D2/920
5,062,223	A		11/1991	Johnson		
D343,043	S		1/1994	Campbell		
5,495,828	A		3/1996	Solomon et al.		
5,787,607	A		8/1998	Schurch		
5,921,434	A		7/1999	Hollander et al.		
5,983,526	A		11/1999	Pawlik et al.		
D439,030	S	*	3/2001	Bernath	D2/900

* cited by examiner

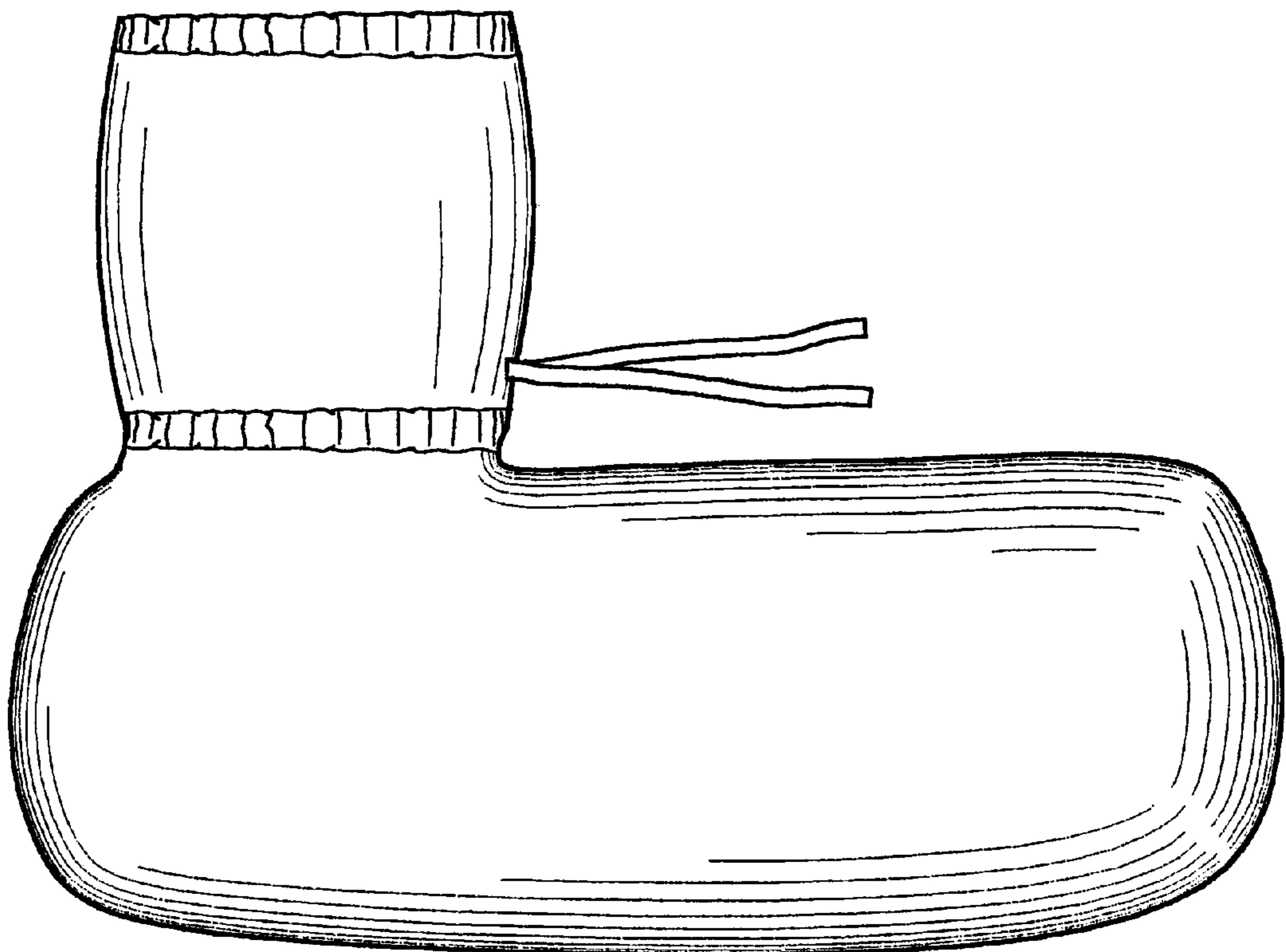
(57) **CLAIM**

The ornamental design for a disposable shoe cover for use with a dispenser, as shown and described.

DESCRIPTION

FIG. 1 is a front elevational view of the disposable shoe cover for use with a dispenser of the present invention; FIG. 2 is a rear elevational view of the disposable shoe cover for use with a dispenser of FIG. 1; FIG. 3 is a left side elevational view of the disposable shoe cover for use with a dispenser of FIG. 1; FIG. 4 is a right side elevational view of the disposable shoe cover for use with a dispenser of FIG. 1; FIG. 5 is a top plan view of the disposable shoe cover for use with a dispenser of FIG. 1; FIG. 6 is a bottom plan view of the disposable shoe cover for use with a dispenser of FIG. 1; and, FIG. 7 is a front elevational view in an alternate position (inside dispenser/box). The broken lines showing of a dispenser in FIG. 7 is for illustrative purposes only and form no part of the claimed design.

1 Claim, 4 Drawing Sheets



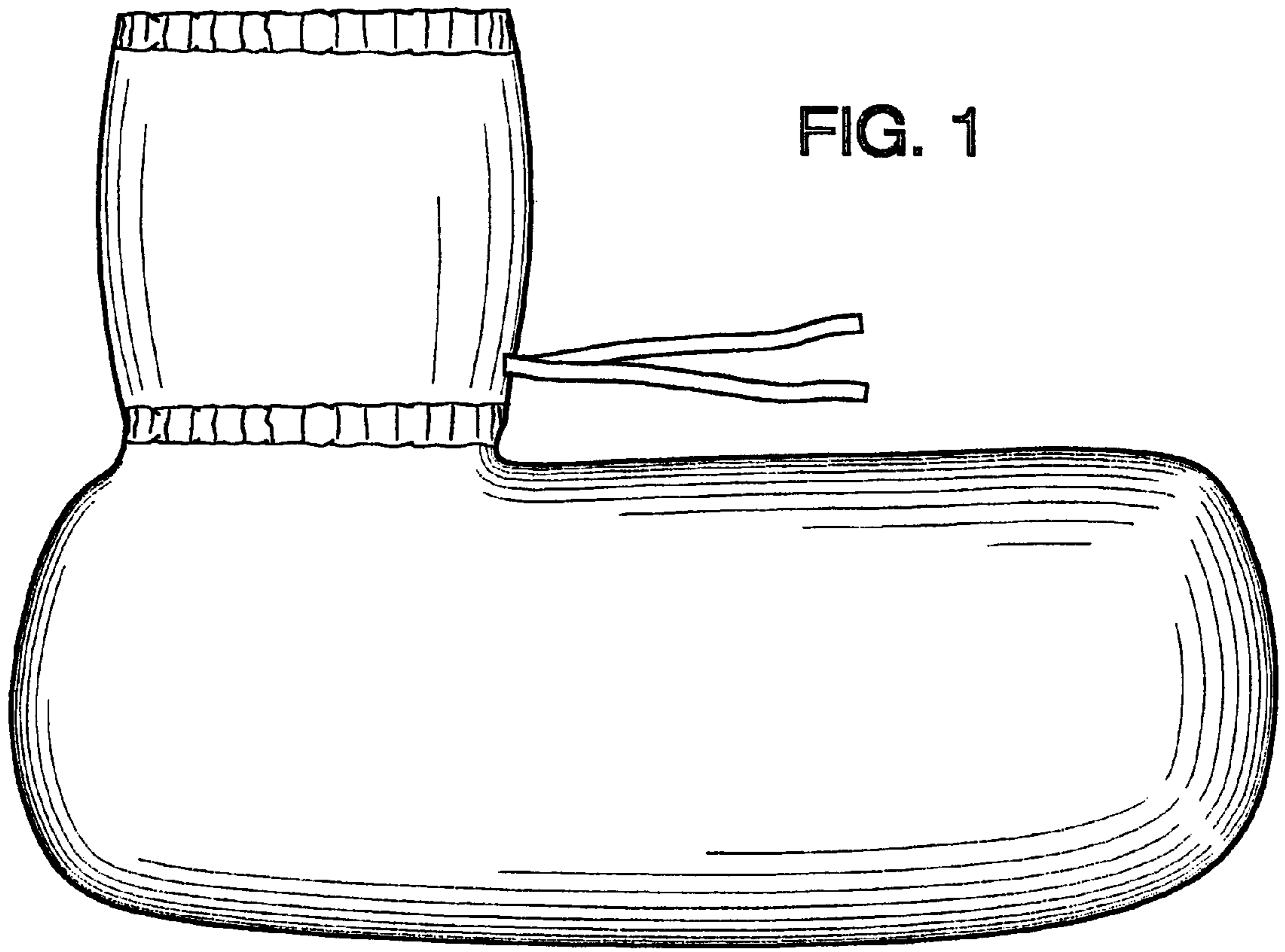


FIG. 1

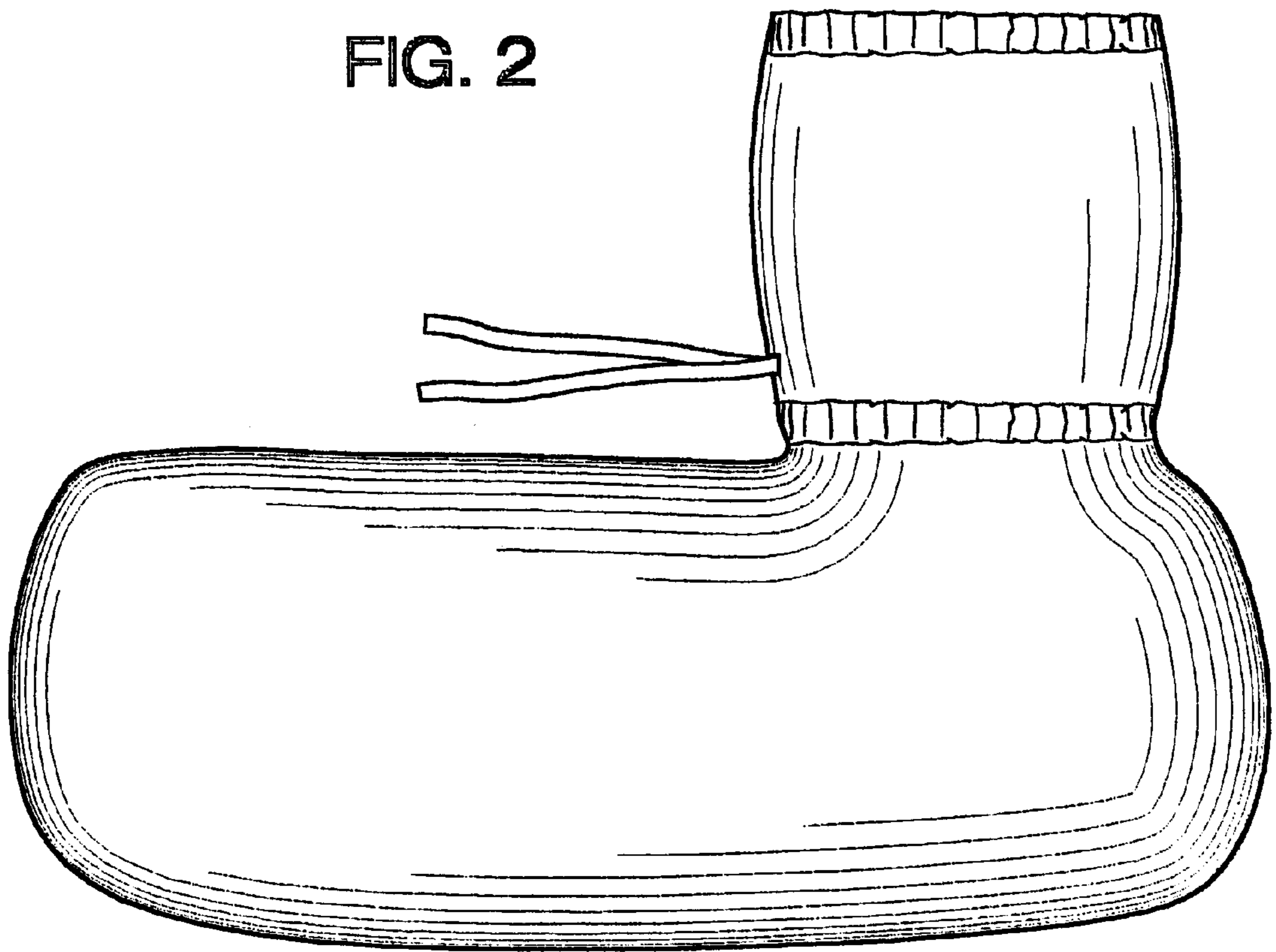


FIG. 2

FIG. 3

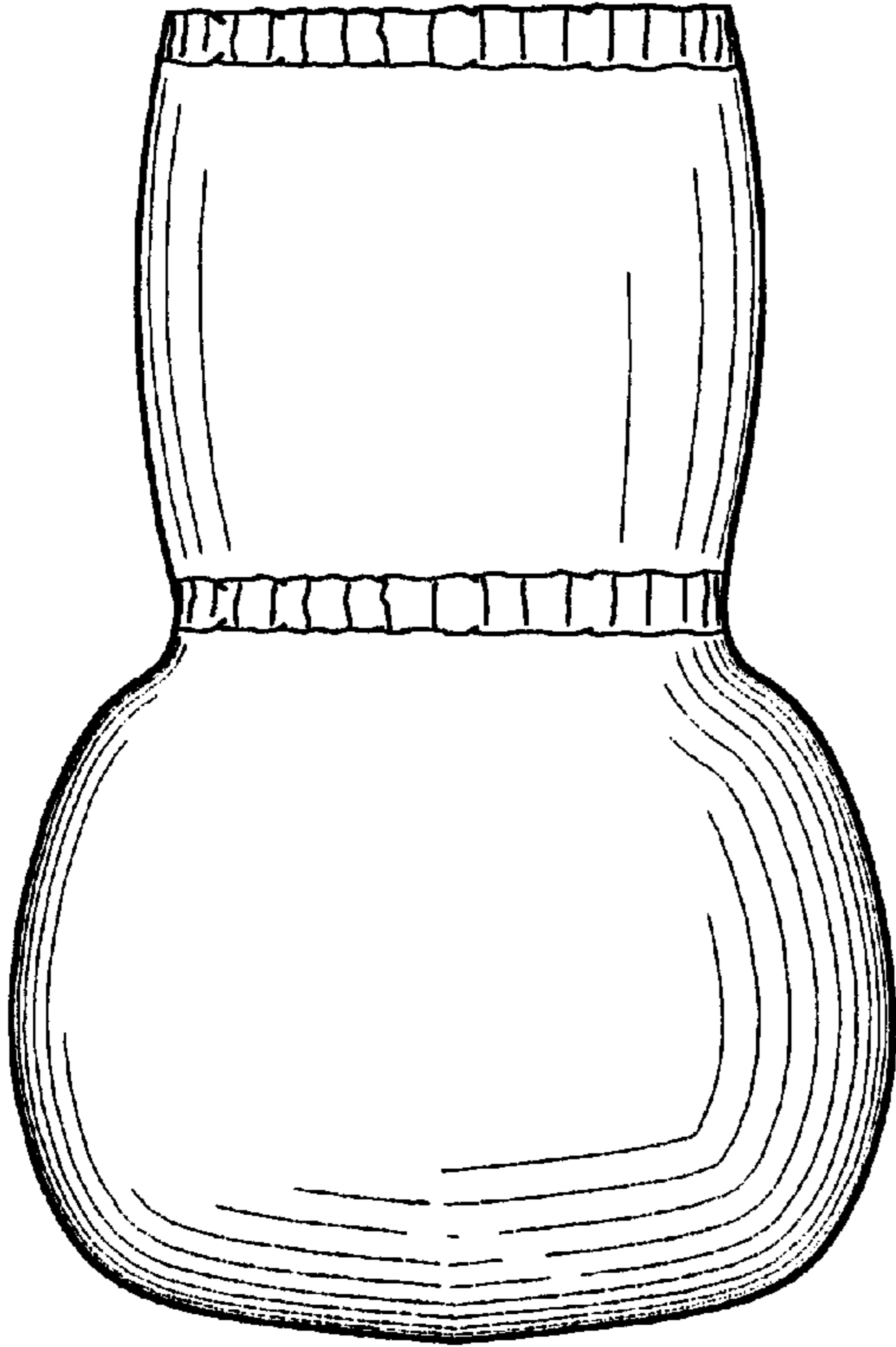


FIG. 4

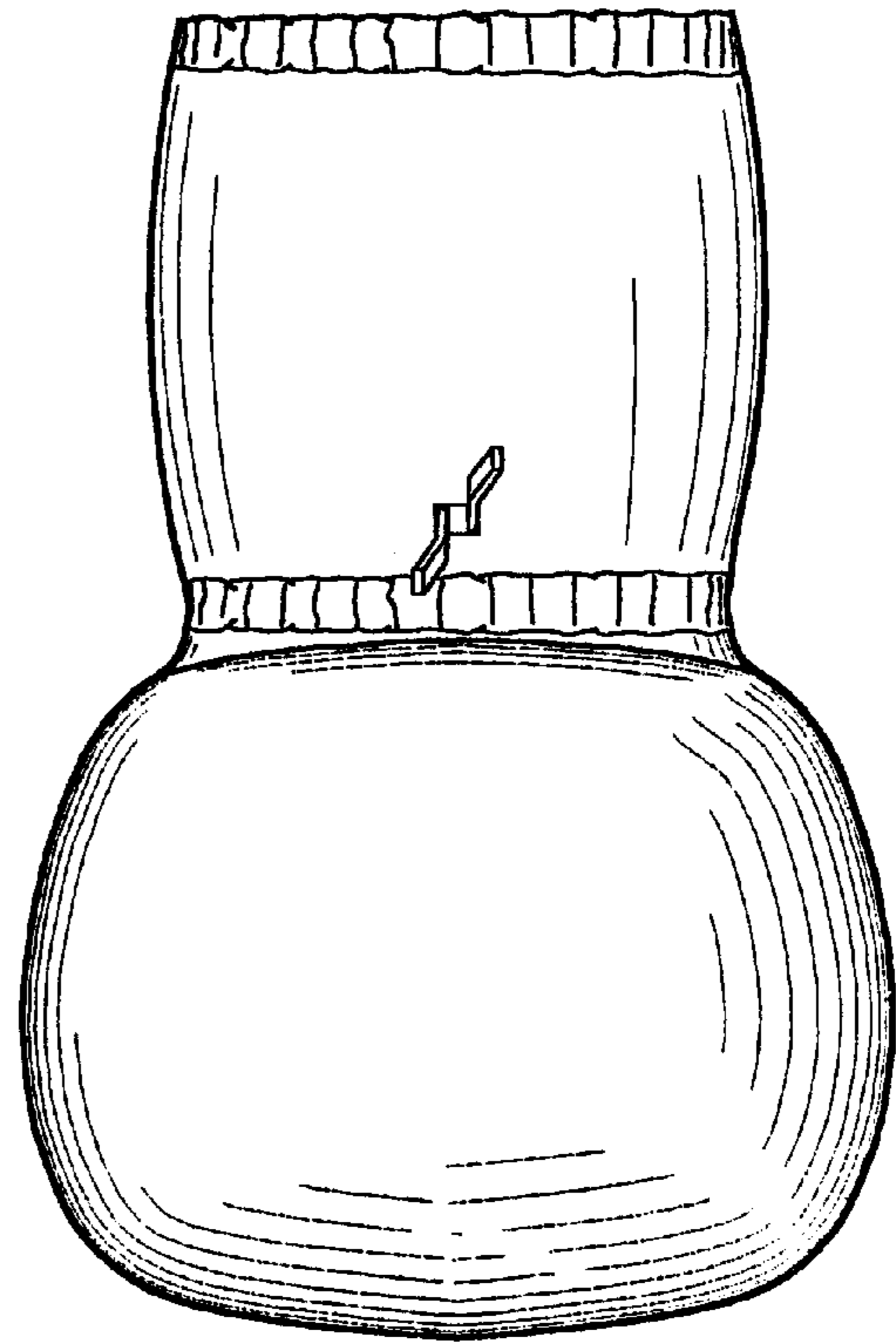


FIG. 5

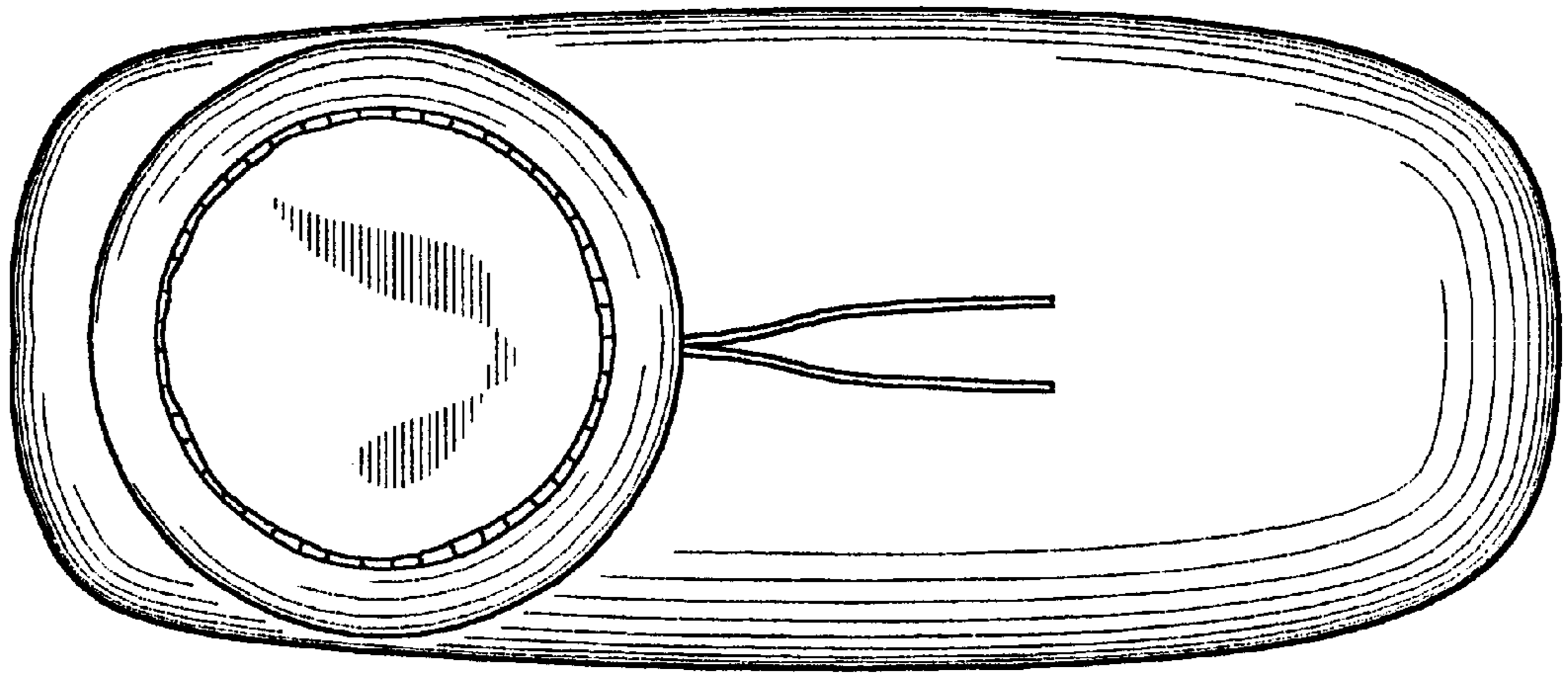


FIG. 6

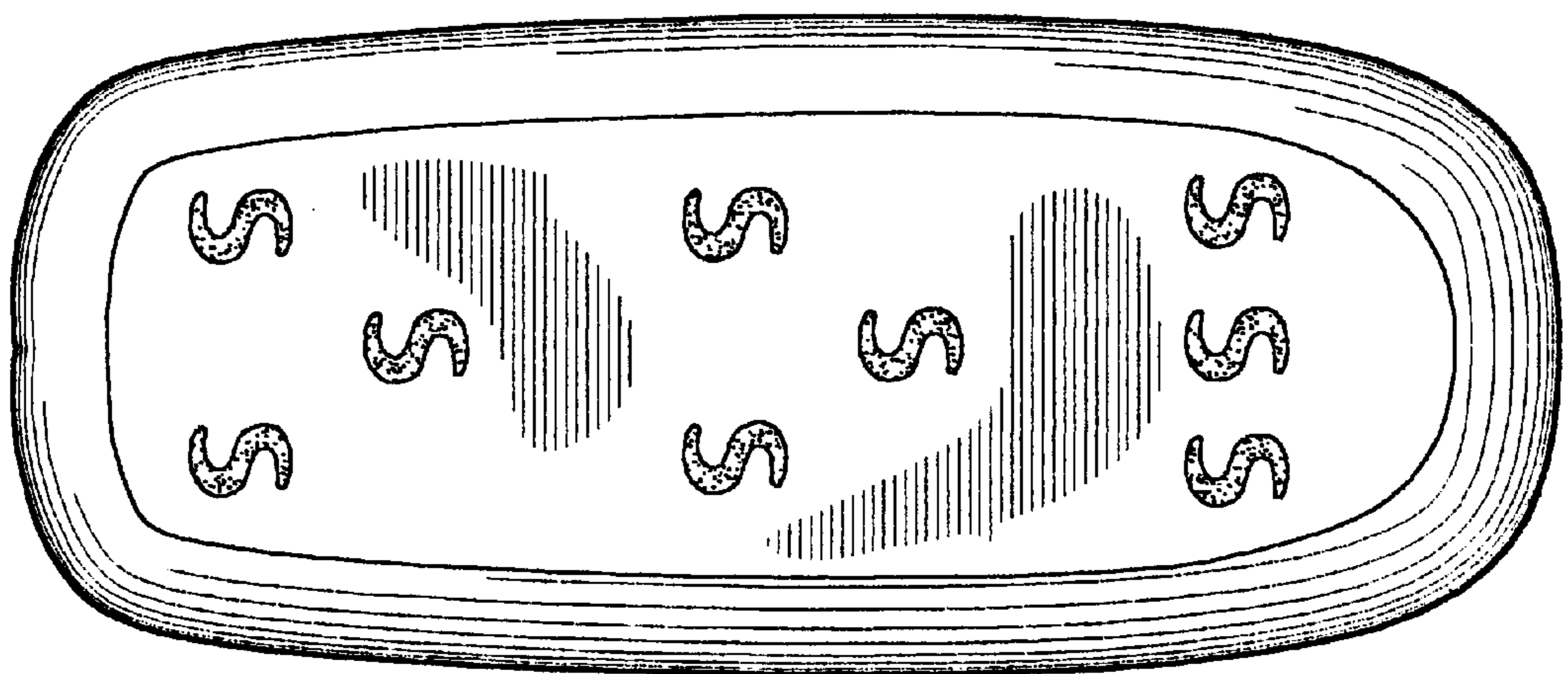


FIG. 7

