



US00D455893S

(12) **United States Design Patent**
Pradhuman

(10) **Patent No.:** **US D455,893 S**

(45) **Date of Patent:** **** Apr. 23, 2002**

(54) **RETRACTABLE SPIKE SHOE**

D427,752 S * 11/2000 Coffman et al. D2/906

(76) Inventor: **Mohandranauth Pradhuman,**
88-15-146 St., Jamaica, NY (US) 11435

* cited by examiner

(**) Term: **14 Years**

Primary Examiner—Louis S. Zarfag
Assistant Examiner—Gregory Andoll

(21) Appl. No.: **29/135,459**

(57) **CLAIM**

(22) Filed: **Jan. 12, 2001**

The ornamental design for a retractable spike shoe, as shown and described.

(51) **LOC (7) Cl.** **02-04**

DESCRIPTION

(52) **U.S. Cl.** **D2/912; D2/911; D2/910;**
D2/909; D2/906

(58) **Field of Search** D2/970, 909–912,
D2/904–906, 943, 944, 947–960; 36/127,
83, 113, 114, 134, 136, 45, 50.1, 59 R

FIG. 1 is a front elevational view of the retractable spike shoe of the present invention;

FIG. 2 is a rear elevational view of the retractable spike shoe of FIG. 1;

FIG. 3 is a left side elevational view of the retractable spike shoe of FIG. 1, the right view being mirror image thereof; FIG. 4 is a top plan view of the retractable spike shoe of FIG. 1;

FIG. 5 is a bottom plan view of the retractable spike shoe of FIG. 1;

FIG. 6 is a top, front, left side perspective in an alternate position (key extended); and,

FIG. 7 is a top, front, left side perspective in yet another alternate position (spikes retracted and key flush).

(56) **References Cited**

U.S. PATENT DOCUMENTS

1,361,078 A	12/1920	Lynn	
2,784,503 A	* 3/1957	Anderson	36/59 R
D204,658 S	* 5/1966	Wakeland	D2/970
3,793,751 A	2/1974	Gordos	
4,186,502 A	* 2/1980	Foster	36/136
4,825,562 A	5/1989	Chuang	
5,337,494 A	8/1994	Ricker	
5,732,482 A	3/1998	Remington et al.	
D393,537 S	4/1998	Johnson	

1 Claim, 4 Drawing Sheets



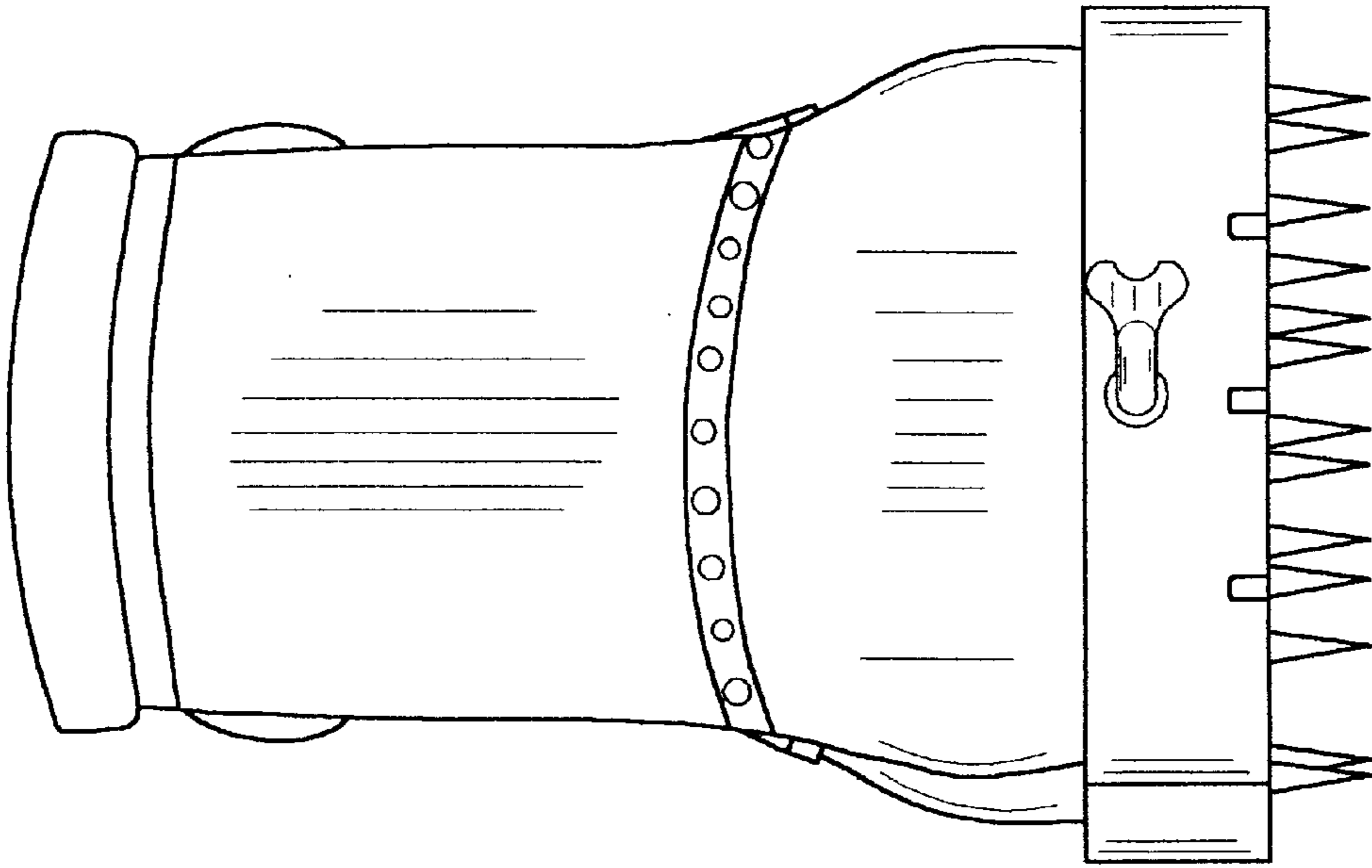


FIG. 1

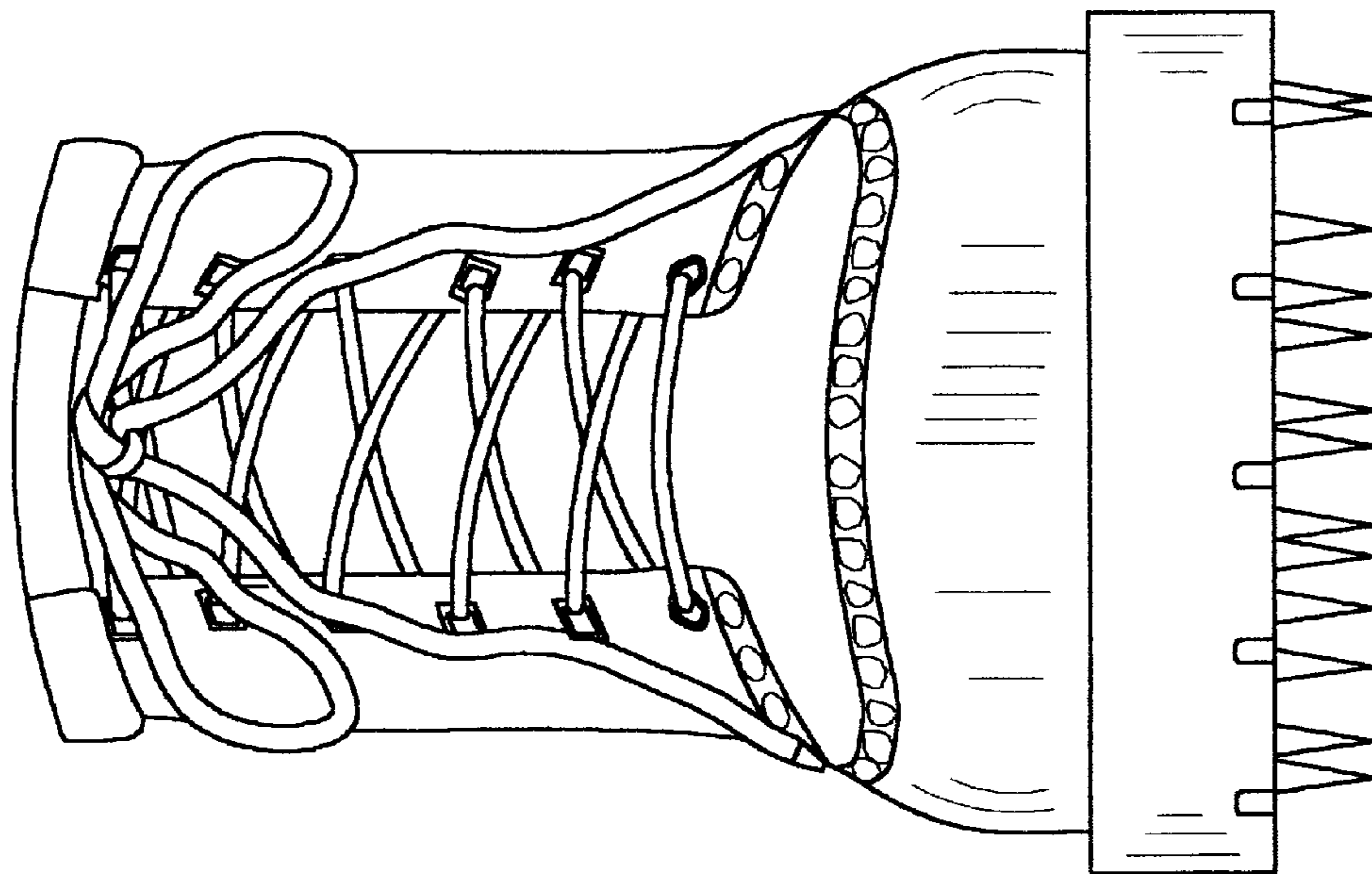


FIG. 2

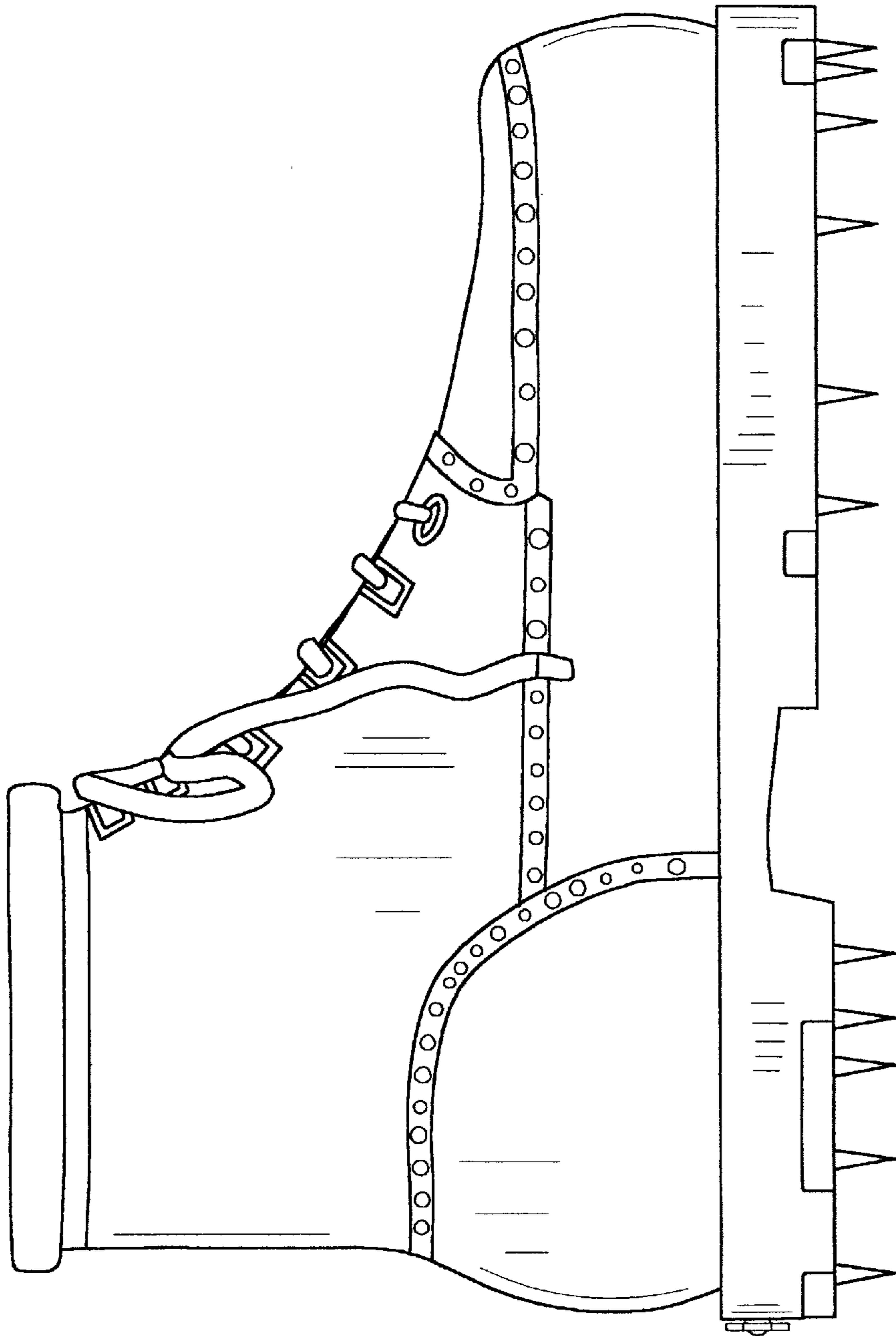


FIG. 3

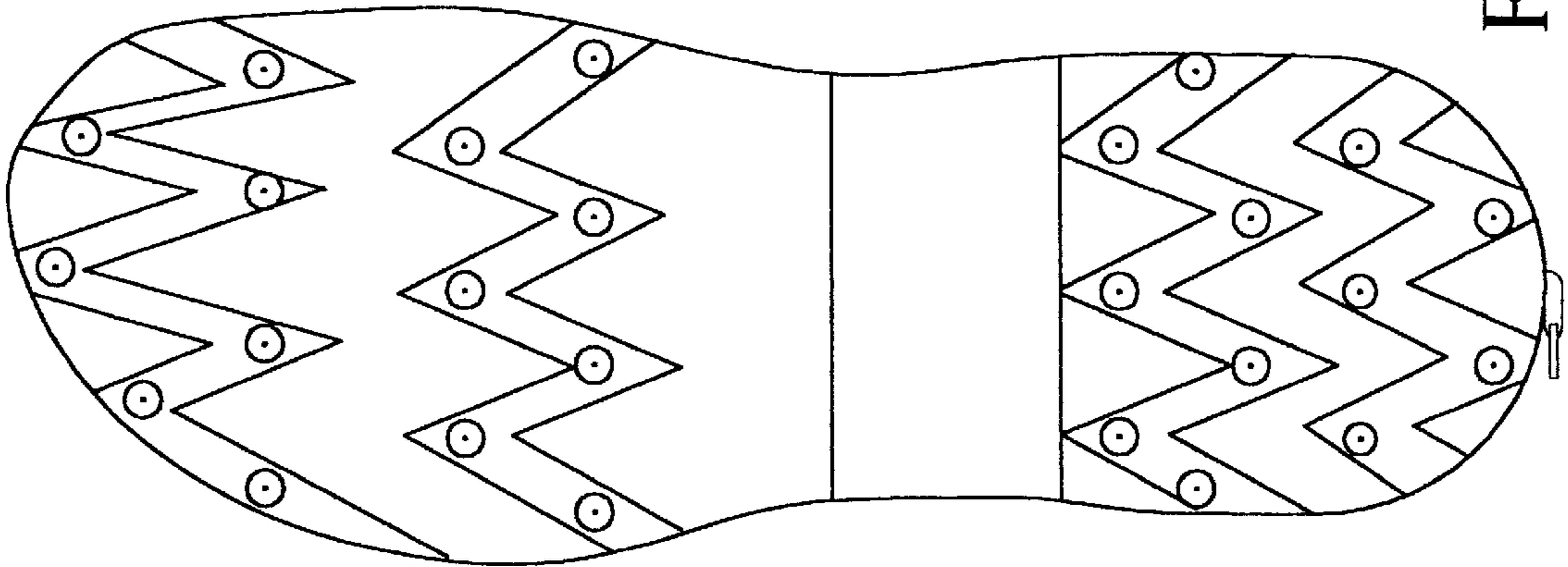


FIG. 5

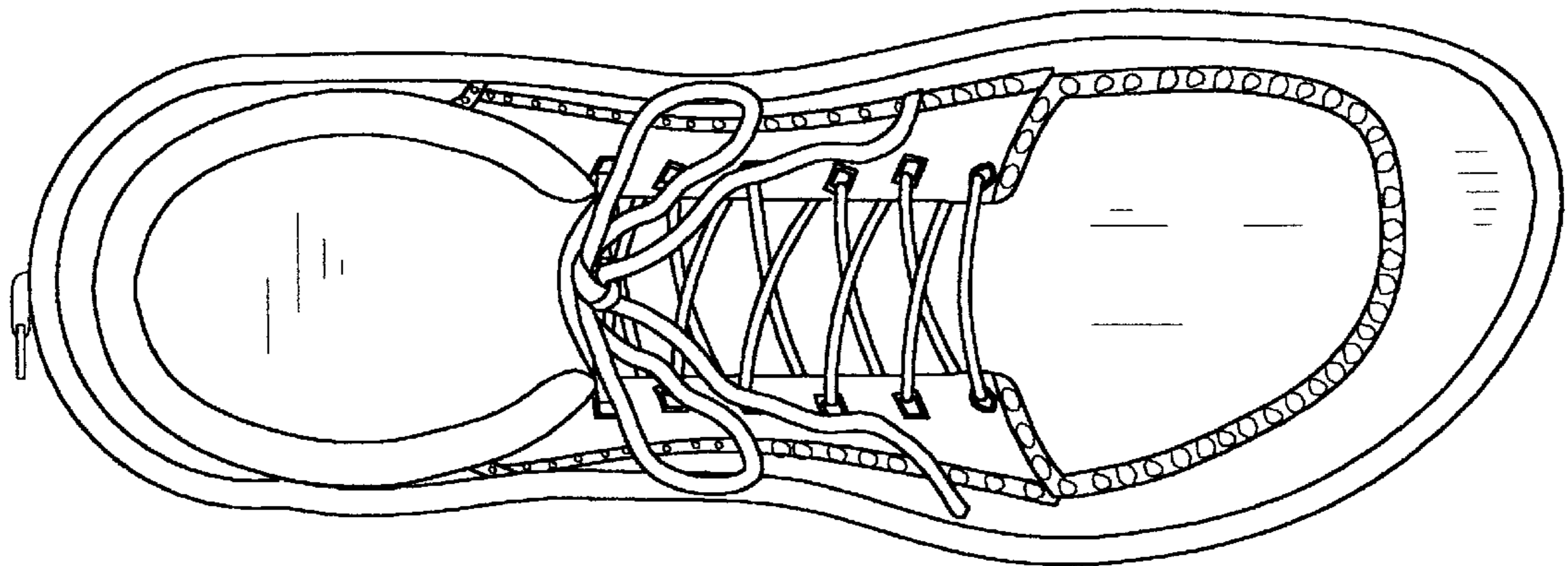


FIG. 4

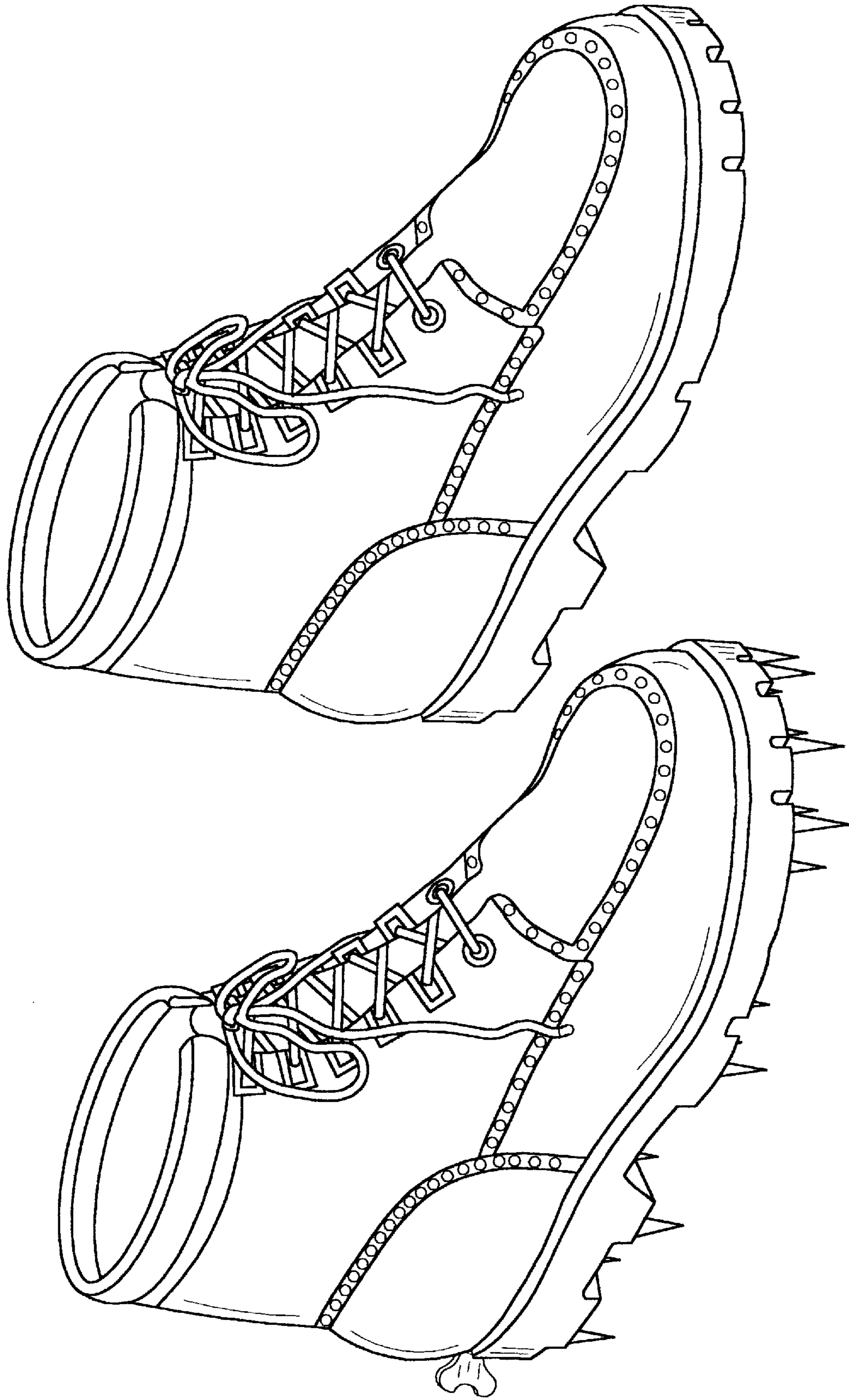


FIG. 7

FIG. 6