

US00D455884S

(12) **United States Design Patent**
Ogrodnick

(10) **Patent No.:** **US D455,884 S**

(45) **Date of Patent:** **** Apr. 16, 2002**

(54) **PORTABLE LIFTING APPARATUS**

(75) Inventor: **Clarence Ogrodnick, Vegreville (CA)**

(73) Assignee: **Ironpro Products Inc., Vegreville (CA)**

(**) Term: **14 Years**

(21) Appl. No.: **29/130,100**

(22) Filed: **Sep. 27, 2000**

(30) **Foreign Application Priority Data**

Mar. 29, 2000 (CA) 2000-0834

(51) **LOC (7) Cl.** **12-05**

(52) **U.S. Cl.** **D34/28**

(58) **Field of Search** D34/28, 12, 31;
254/126, 2 R, 43.12, 43.23; 187/204, 207,
208, 218

(56) **References Cited**

U.S. PATENT DOCUMENTS

- 4,645,022 A * 2/1987 Bergquist 280/401
- 4,848,732 A * 7/1989 Rossato 187/208
- 4,921,074 A * 5/1990 Ochs 187/207
- 5,031,726 A * 7/1991 Wakamiya 187/207
- 5,156,238 A * 10/1992 Matthews 254/2 R
- 5,211,265 A * 5/1993 Gregg 187/204

- D346,680 S * 5/1994 Lee D34/31
- D365,904 S * 1/1996 Adamson et al. D34/12 X
- D378,155 S * 2/1997 Bartow et al. D34/28
- D388,923 S * 1/1998 Pacheco et al. D34/12
- 5,761,887 A * 6/1998 Hanson D34/12
- D422,392 S * 4/2000 Weinstein D34/12
- 6,257,371 B1 * 7/2001 Wanner 187/204

* cited by examiner

Primary Examiner—Cynthia E. Ramirez

(74) *Attorney, Agent, or Firm*—Christensen O'Connor Johnson Kindness PLLC

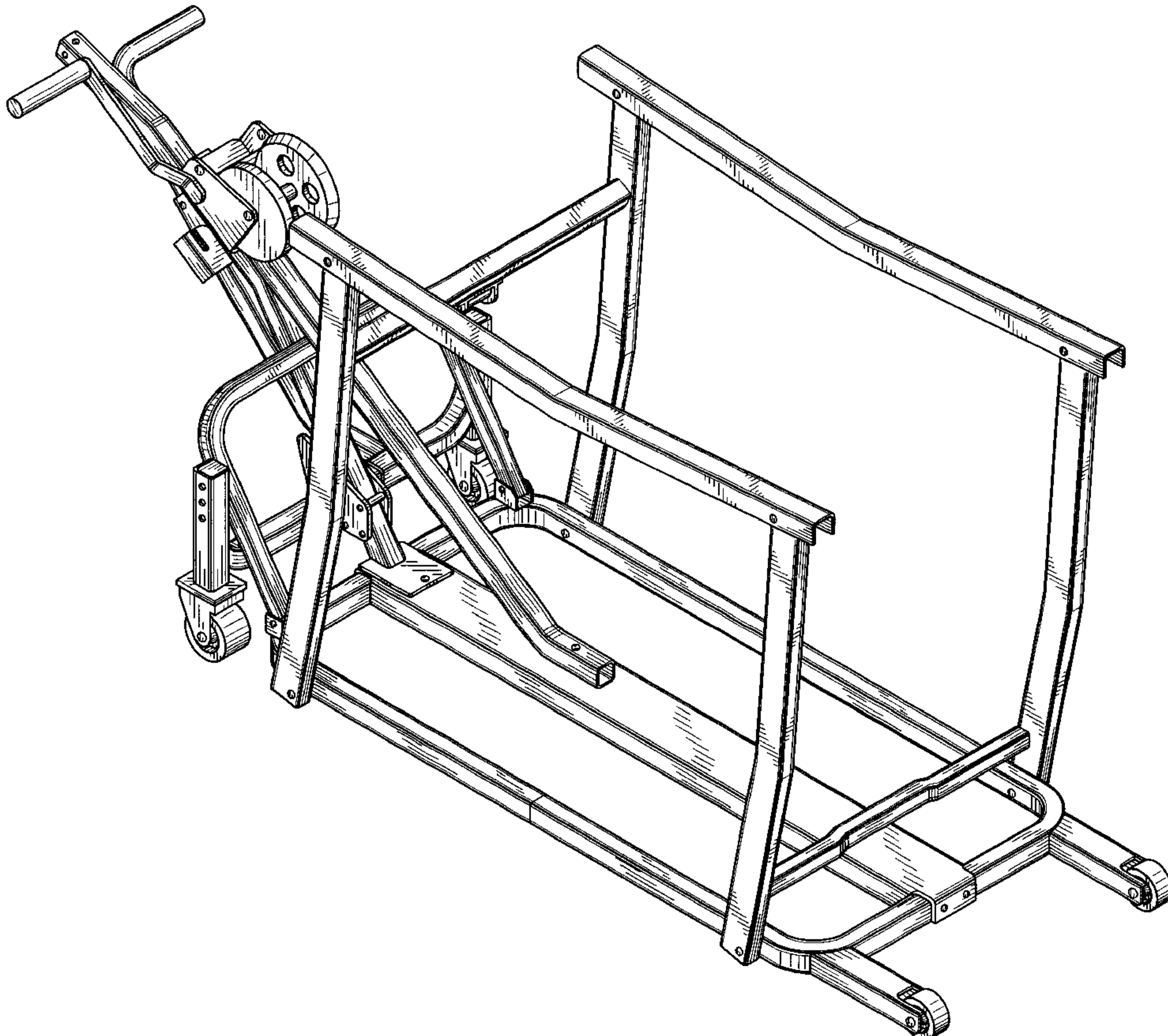
(57) **CLAIM**

The ornamental design for a portable lifting apparatus, as shown and described.

DESCRIPTION

FIG. 1 is a front perspective view for a portable lifting apparatus showing my new design;
 FIG. 2 is a rear perspective view;
 FIG. 3 is a top plan view;
 FIG. 4 is a right side elevation view, the left side elevation view being a mirror image of the right side elevation view;
 and,
 FIG. 5 is a rear elevation view.

1 Claim, 5 Drawing Sheets



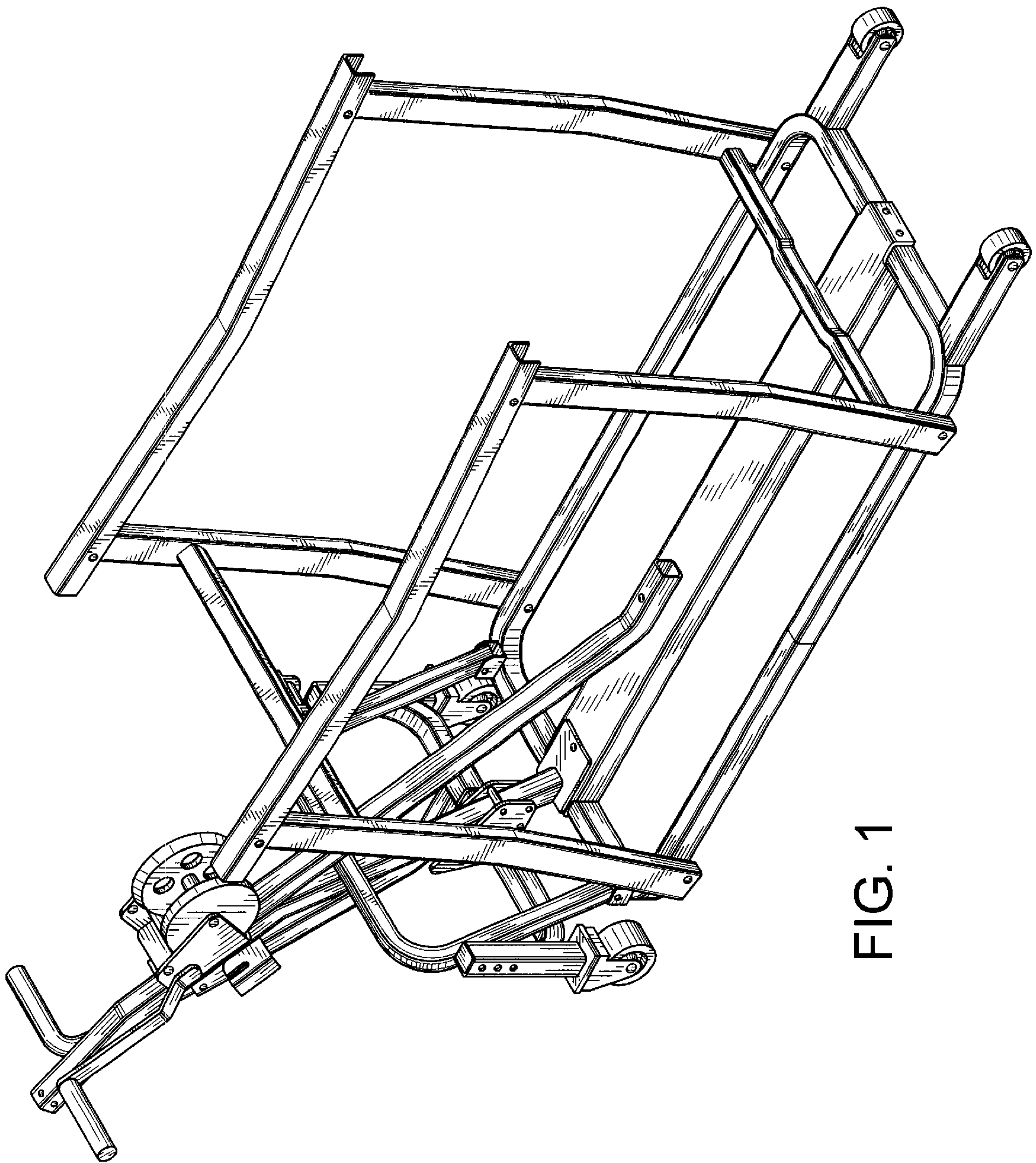


FIG. 1

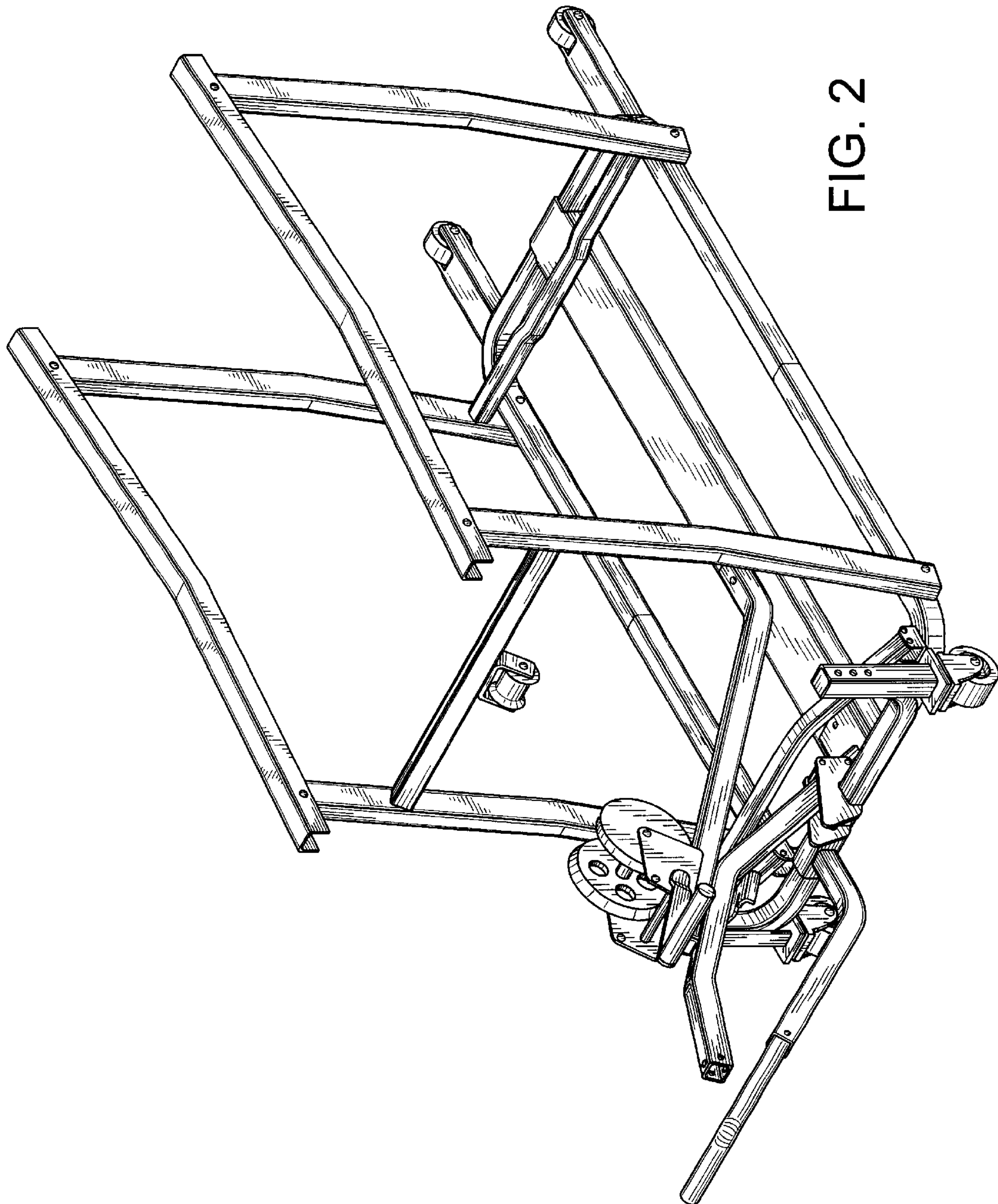


FIG. 2

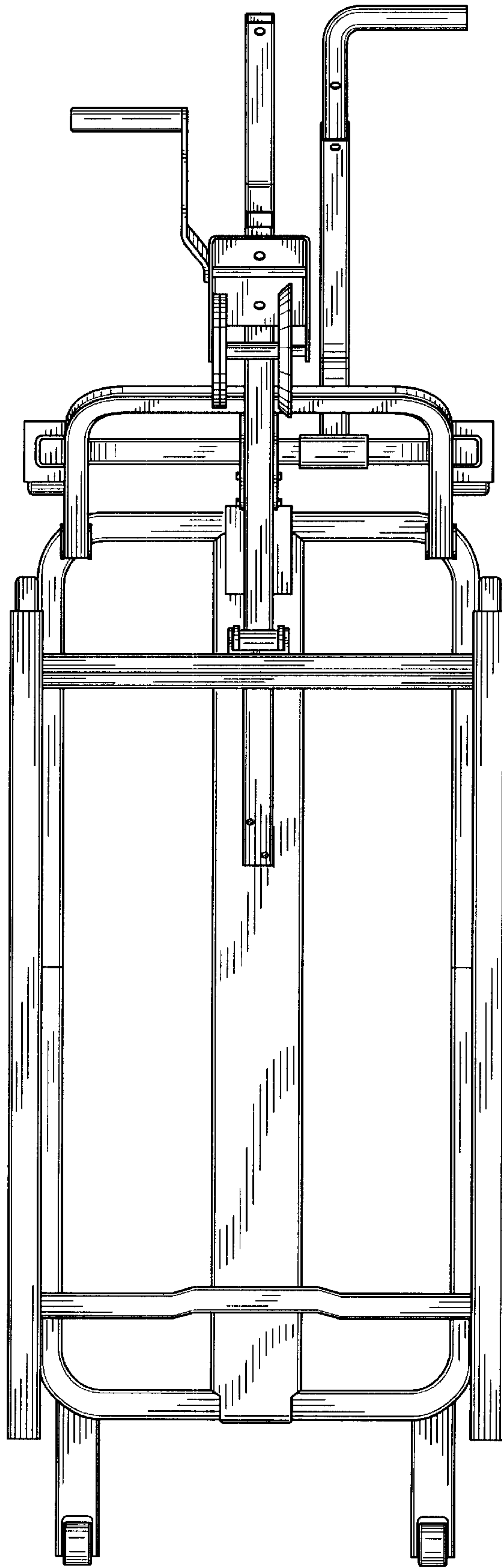


FIG. 3

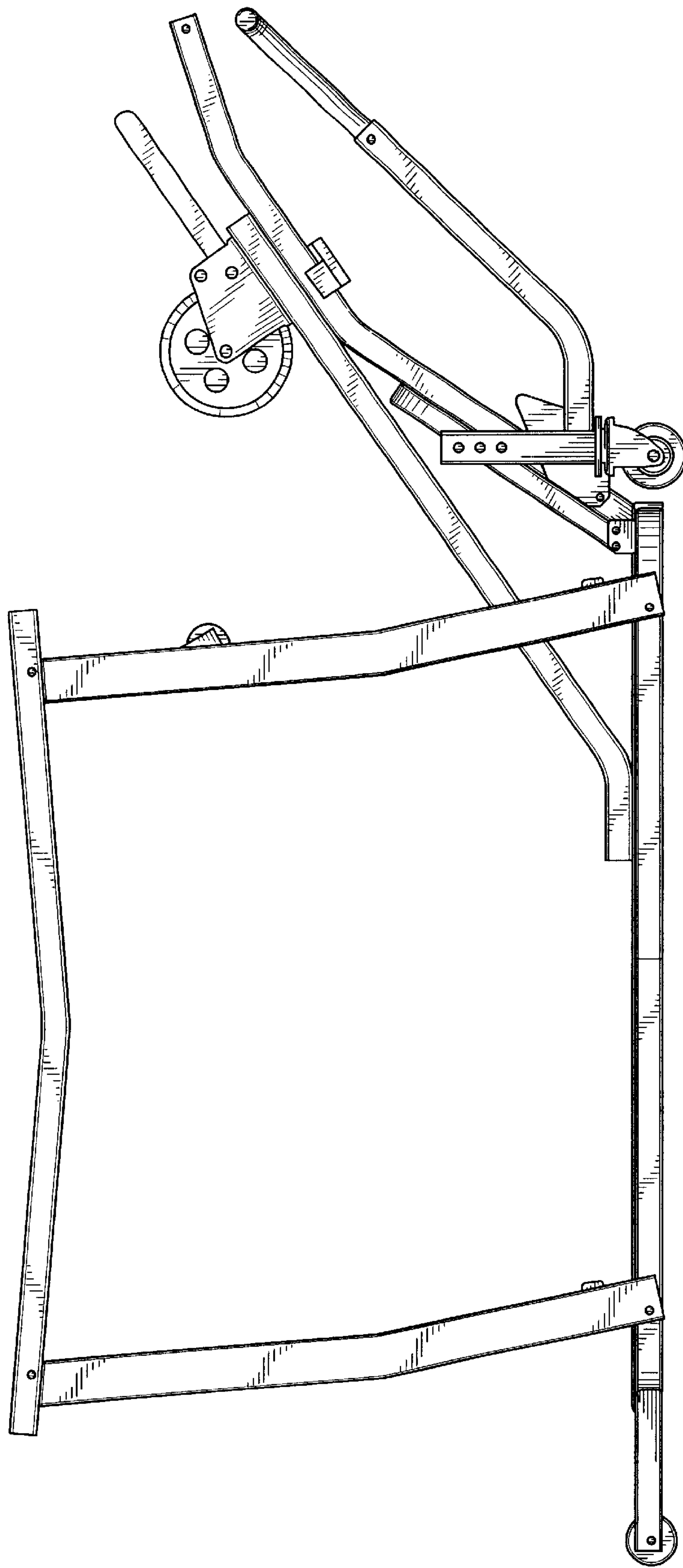


FIG. 4

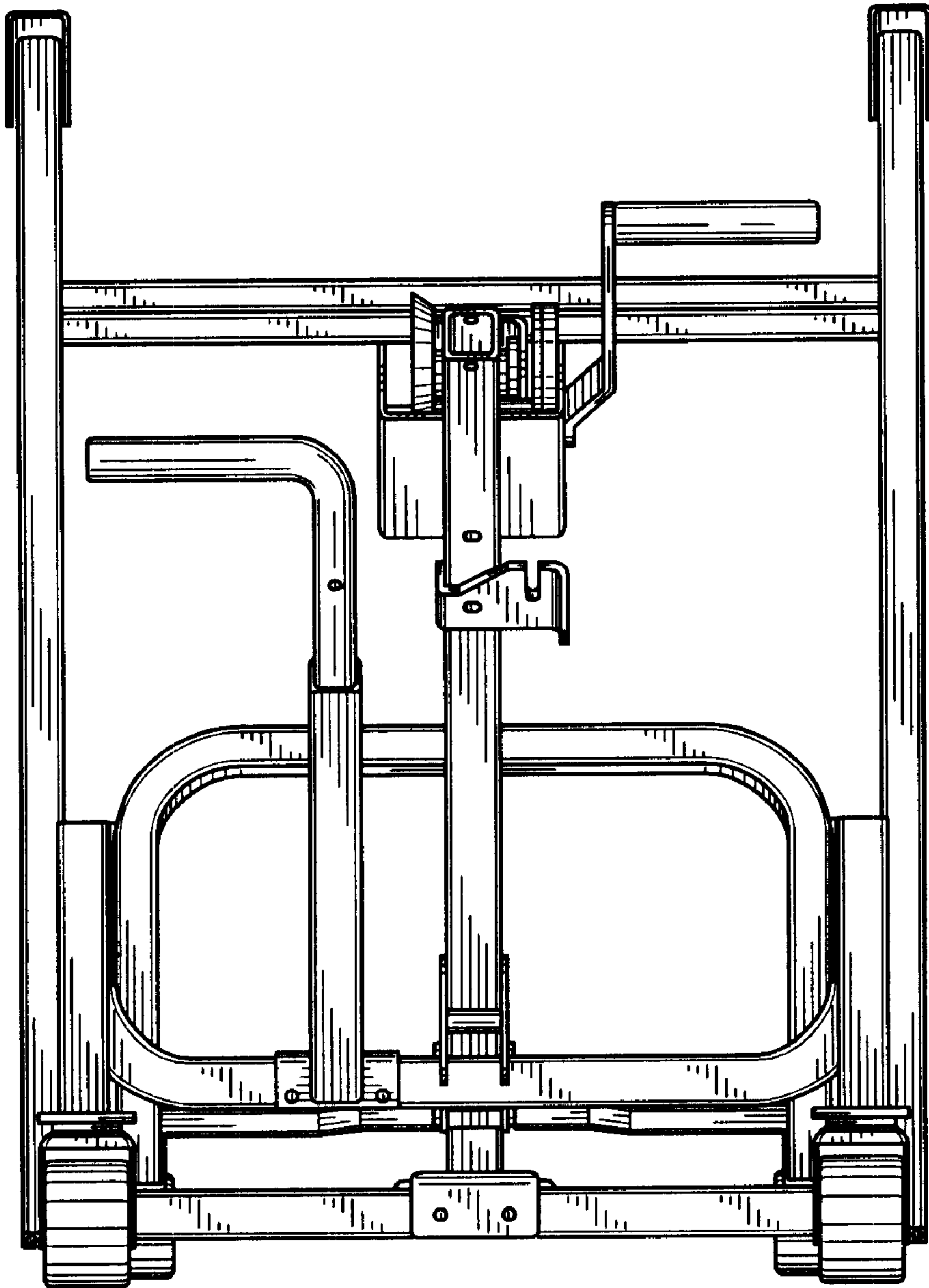


FIG. 5

UNITED STATES PATENT AND TRADEMARK OFFICE
CERTIFICATE OF CORRECTION

PATENT NO. : Des. 455,884 S
DATED : April 16, 2002
INVENTOR(S) : C. Ogrodnick

Page 1 of 1

It is certified that error appears in the above-identified patent and that said Letters Patent is hereby corrected as shown below:

Title page,

Item [56], **References Cited**, OTHER PUBLICATIONS, insert in appropriate order:

-- OTHER PUBLICATIONS

"Mar-Lift" product information printed from the internet, 3 pp., Copyright 2000, Majestic Auto, dated prior to Sep. 27, 2000.

Cambridge Metals & Plastics (CMP) Snowmobile Lift Stand product information printed from the internet, 2 pp., dated prior to Sep. 27, 2000.

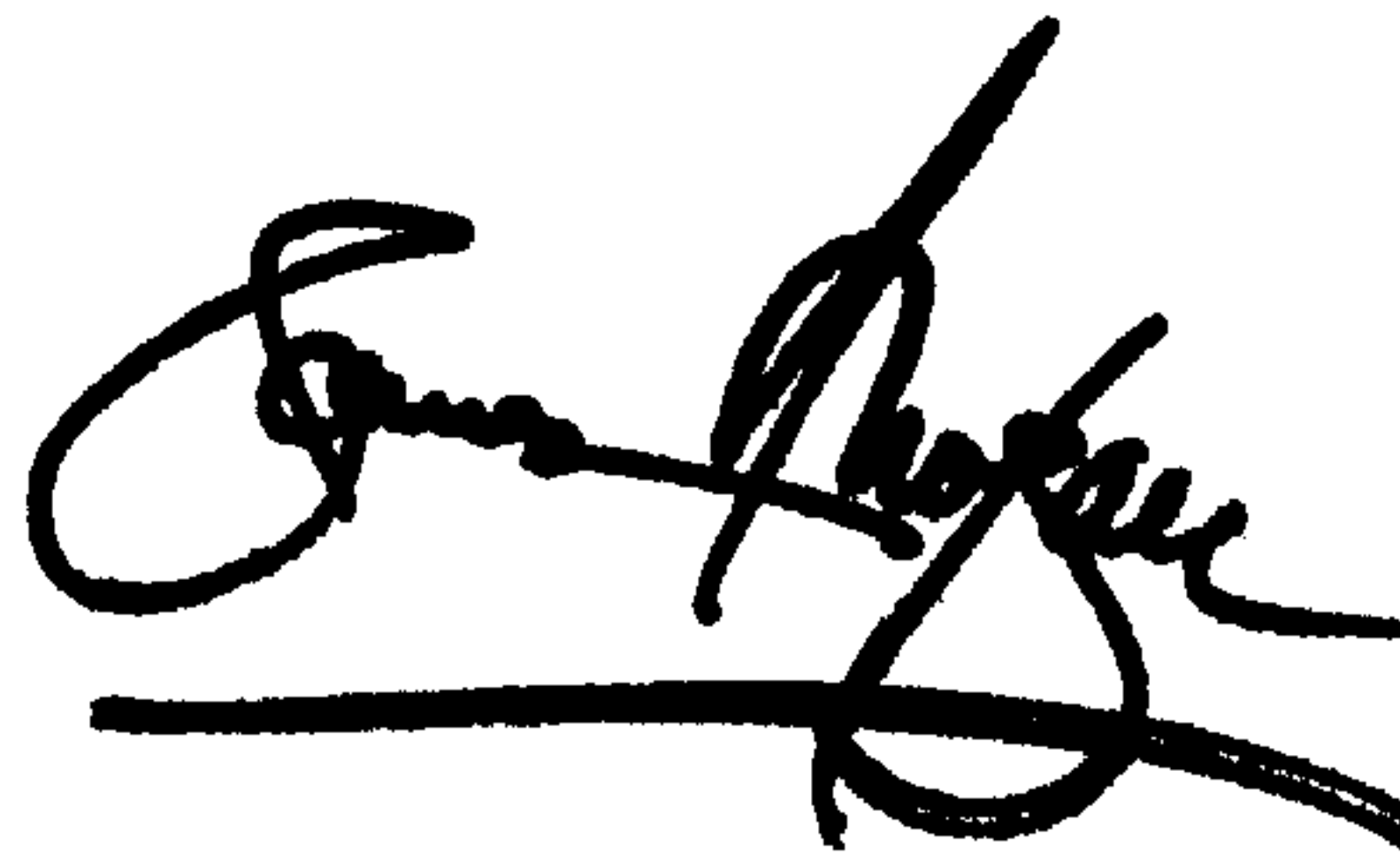
Fendock Dock Systems Personal Snowmobile Lift product information printed from the internet, 2 pp., dated prior to Sep. 27, 2000.

Polaris Industries Inc. Snowmobile Lift Jack Stand product information printed from the internet, 1p., copyright 2000, dated prior to Sep. 27, 2000. --

Signed and Sealed this

Twenty-fourth Day of September, 2002

Attest:



Attesting Officer

JAMES E. ROGAN
Director of the United States Patent and Trademark Office