



US00D455883S

(12) **United States Design Patent**
Clivio

(10) **Patent No.:** **US D455,883 S**

(45) **Date of Patent:** **** Apr. 16, 2002**

(54) **HOSE REEL CART**

(75) Inventor: **Franco Clivio**, Erlenbach (CH)

(73) Assignee: **Gardena Kress & Kastner GmbH**,
Hans-Lorensen-Strasse (DE)

(**) Term: **14 Years**

(21) Appl. No.: **29/137,571**

(22) Filed: **Feb. 23, 2001**

(30) **Foreign Application Priority Data**

Aug. 26, 2000 (DE) 4 00 08 365

(51) **LOC (7) Cl.** **12-02**

(52) **U.S. Cl.** **D34/24; D8/359**

(58) **Field of Search** **D34/12-27; D8/359;**
137/355.26, 355.27; 242/557, 596.7, 596.8,
403.1, 395

(56) **References Cited**

U.S. PATENT DOCUMENTS

- D341,240 S * 11/1993 Roman D34/24
- 5,308,011 A * 5/1994 Roman 242/403.1
- D392,080 S * 3/1998 Tisbo et al. D34/26

OTHER PUBLICATIONS

P. 1 and 39 of a catalog entitled "Uniflex 2000" published Uniflex Utilitime S.p.A., made available to the public in 1999.

A brochure published by Uniflex Utilitime S.p.A.

P. 1, 33, 35 and 37 of a catalog entitled "Gardenlife 2000" published by Claber, made available to the public in 1999.

2 pages of a publication entitled "Das Bosch-Gartengeräte-Programm 2000" published by Bosch, made available to the public in 1999.

6 pages of a catalog entitled "Gardena 2000" published by Gardena Kress + Kastner GmbH, made available to the public in 1999.

* cited by examiner

Primary Examiner—Kay H. Chin

(74) *Attorney, Agent, or Firm*—Akerman Senterfitt

(57) **CLAIM**

The ornamental design for a hose reel cart, as shown and described.

DESCRIPTION

FIG. 1 is a side perspective view of a hose reel cart showing my new design;

FIG. 2 is a front elevation view thereof;

FIG. 3 is a rear elevation view thereof;

FIG. 4 is a side elevation view thereof;

FIG. 5 is an opposite side elevation view thereof;

FIG. 6 is a top plan view thereof; and,

FIG. 7 is a bottom plan view thereof.

1 Claim, 6 Drawing Sheets

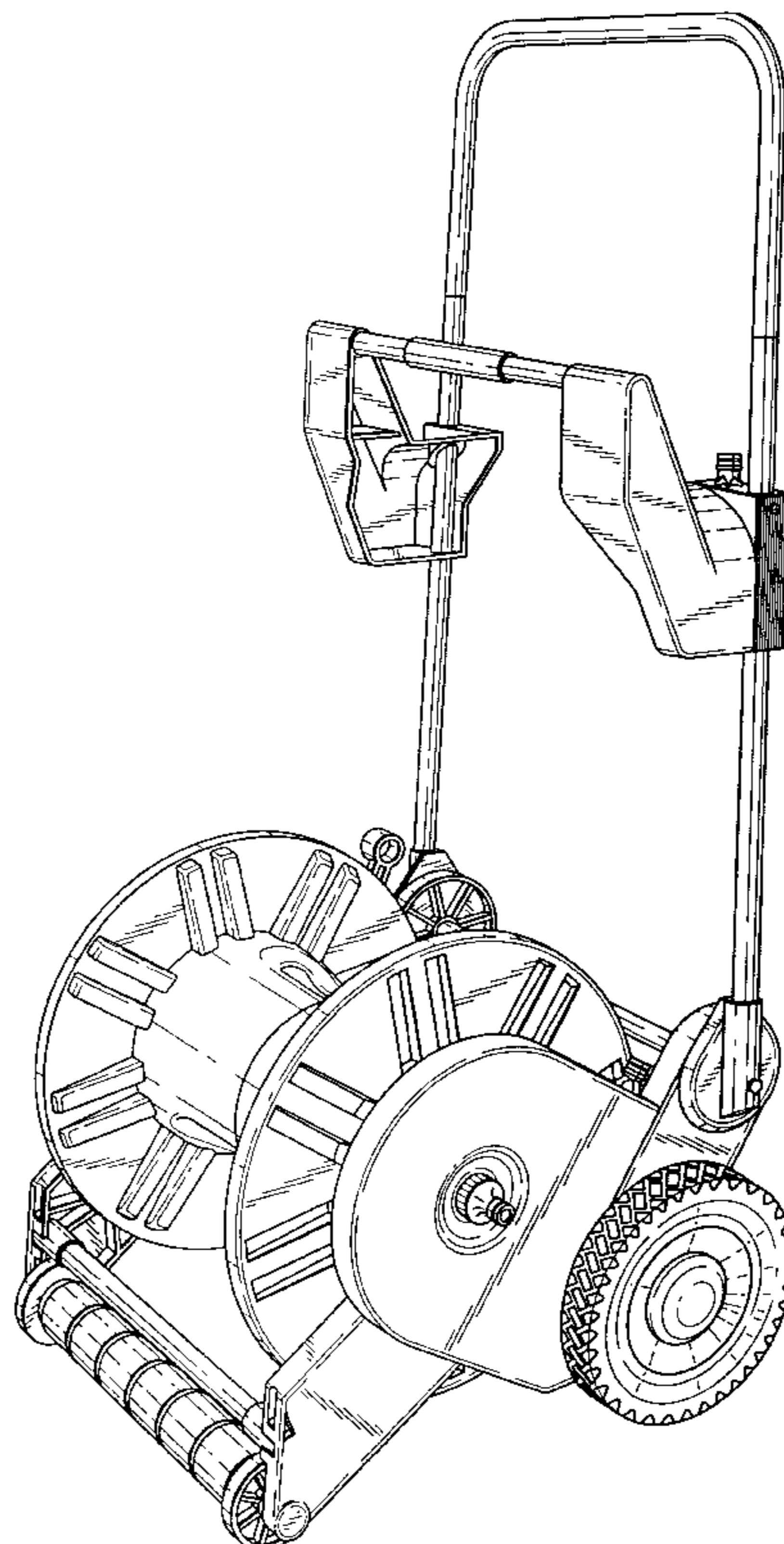


FIG. 1

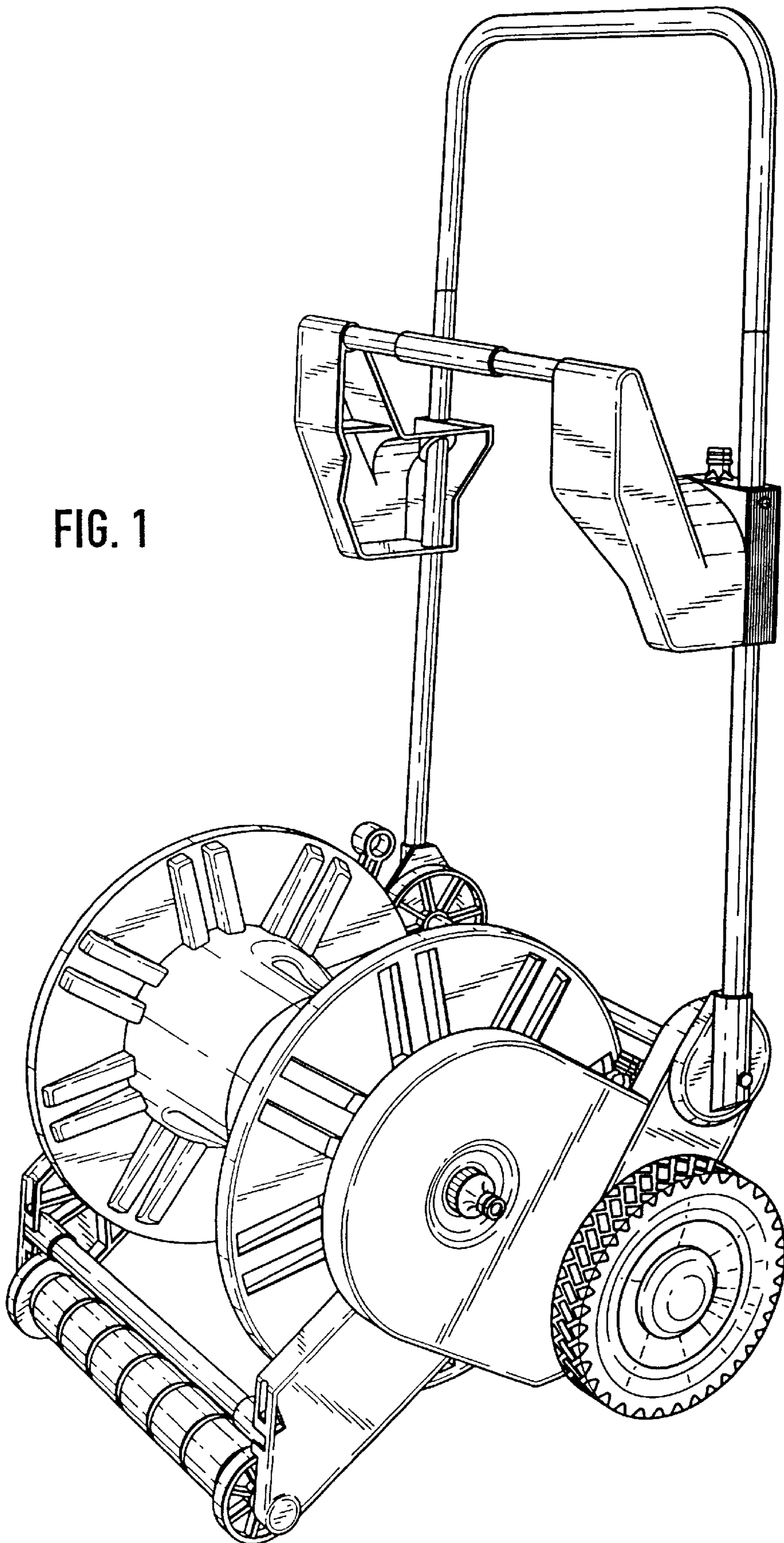


FIG. 2

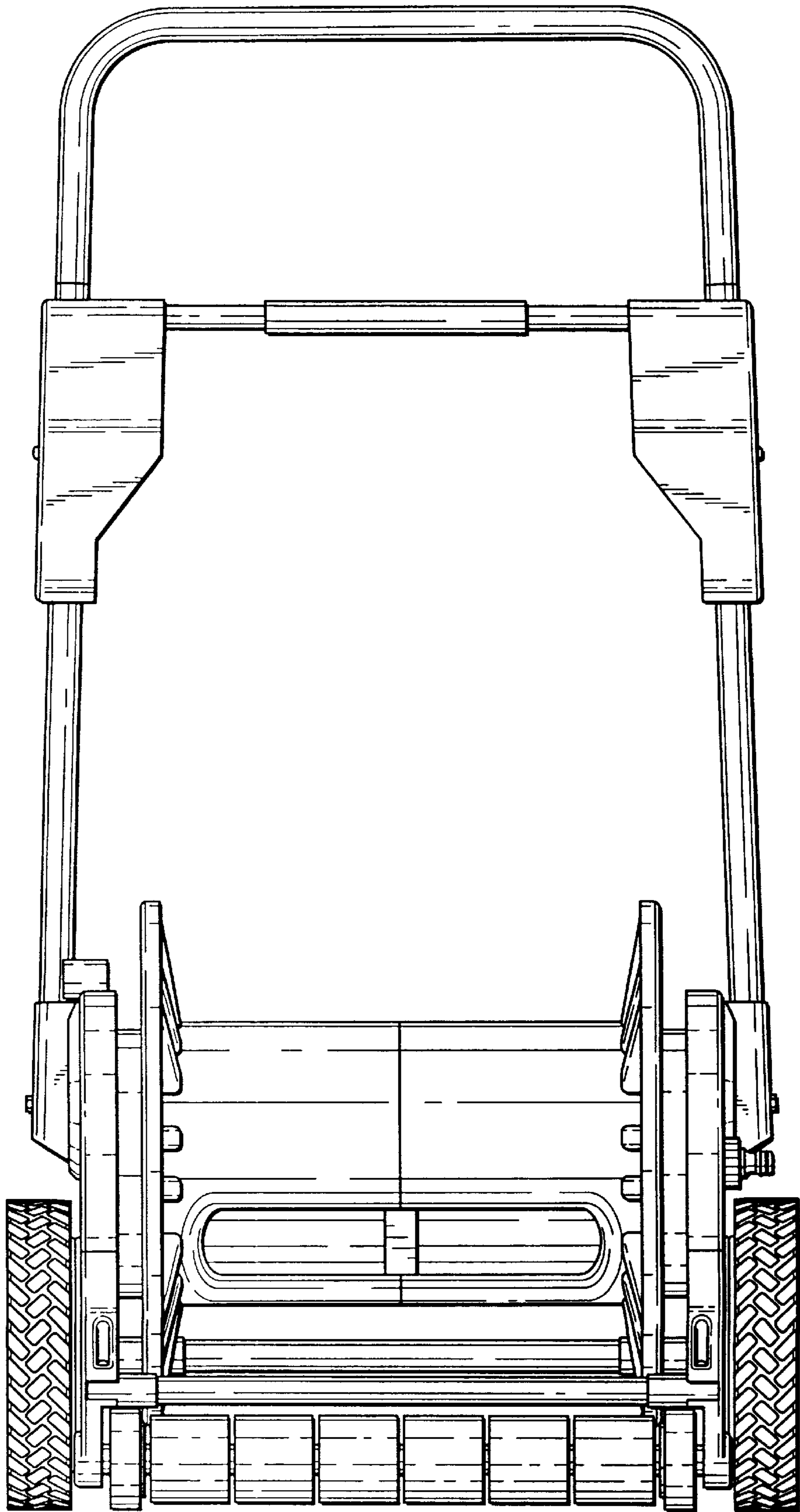
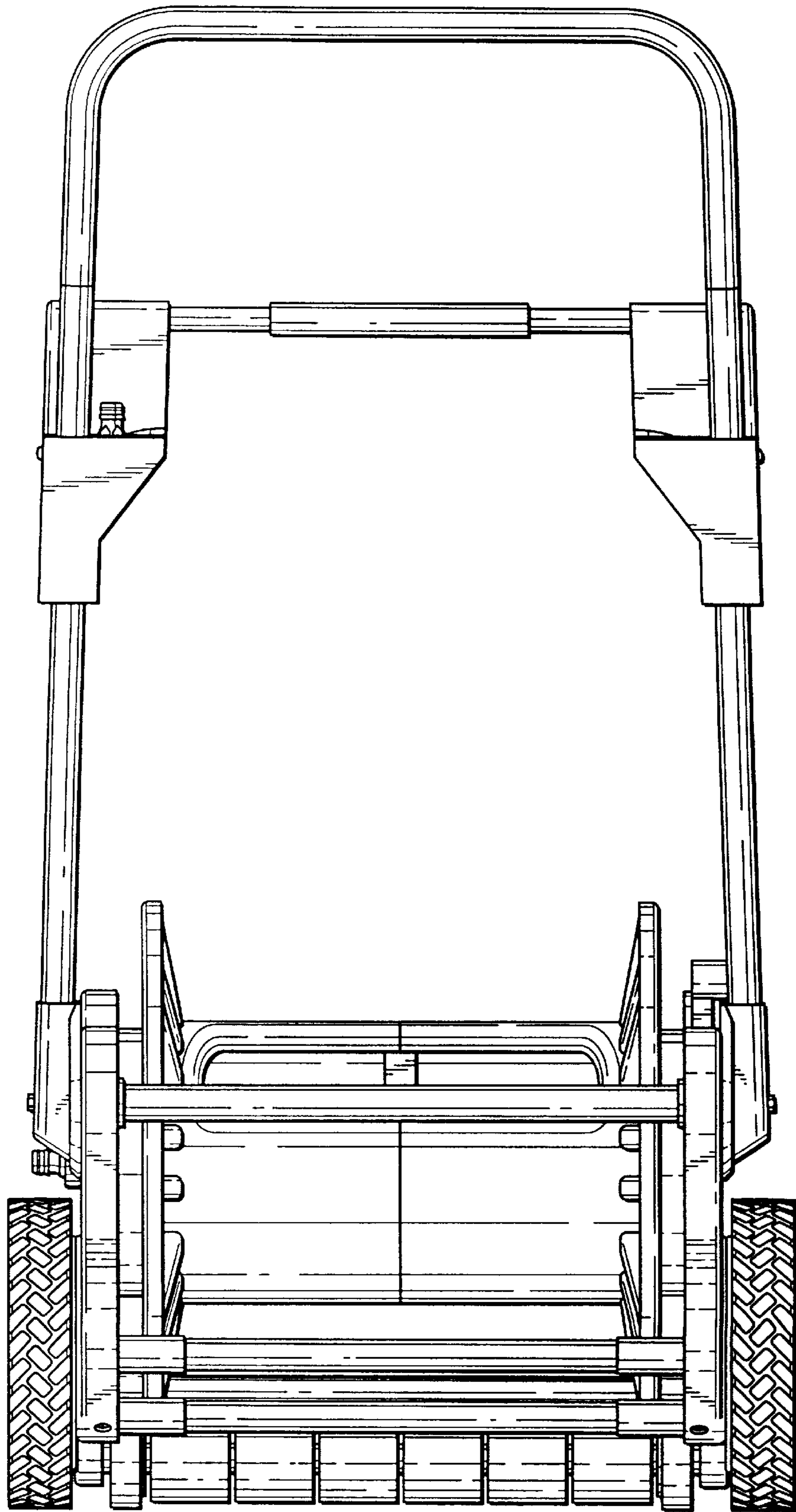


FIG. 3



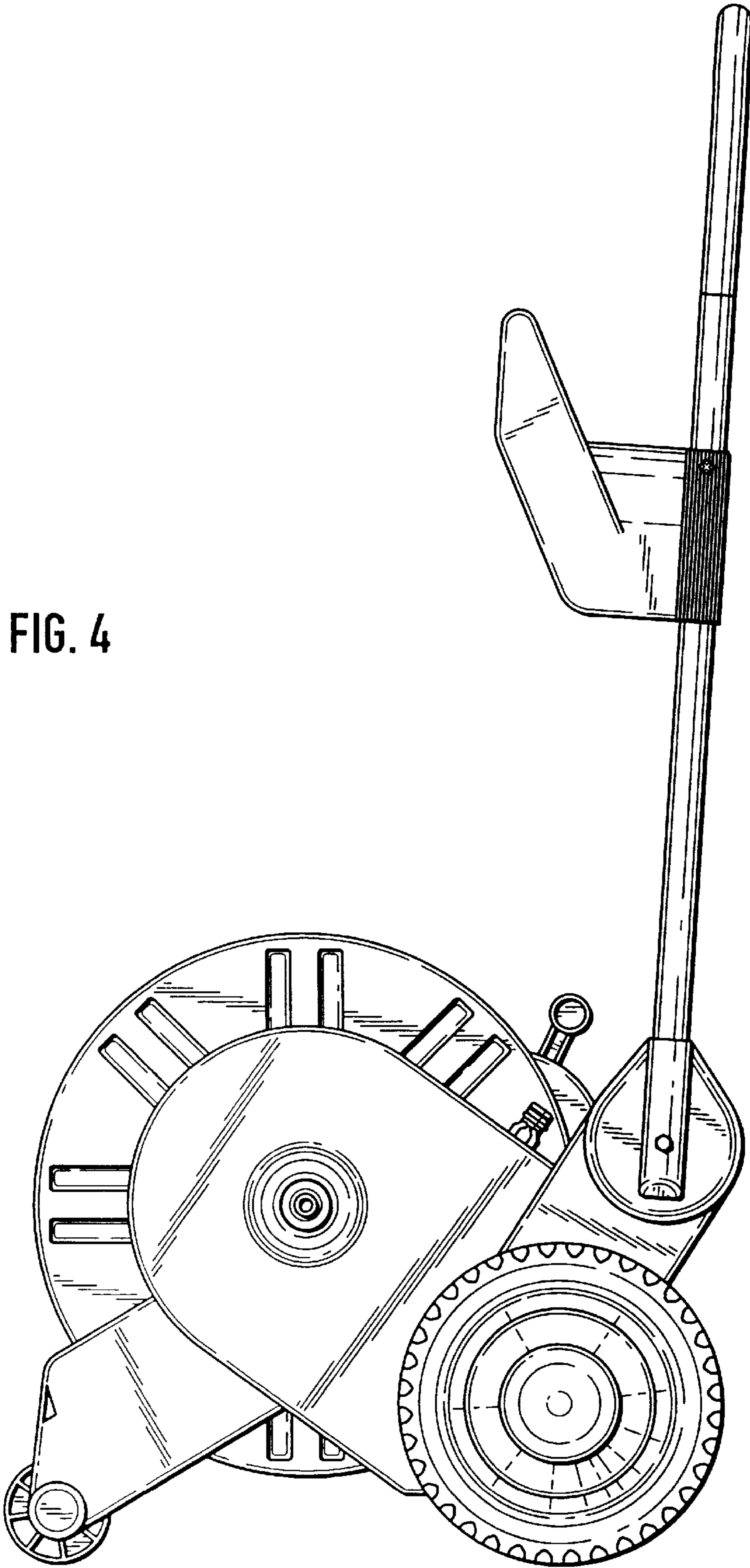


FIG. 4

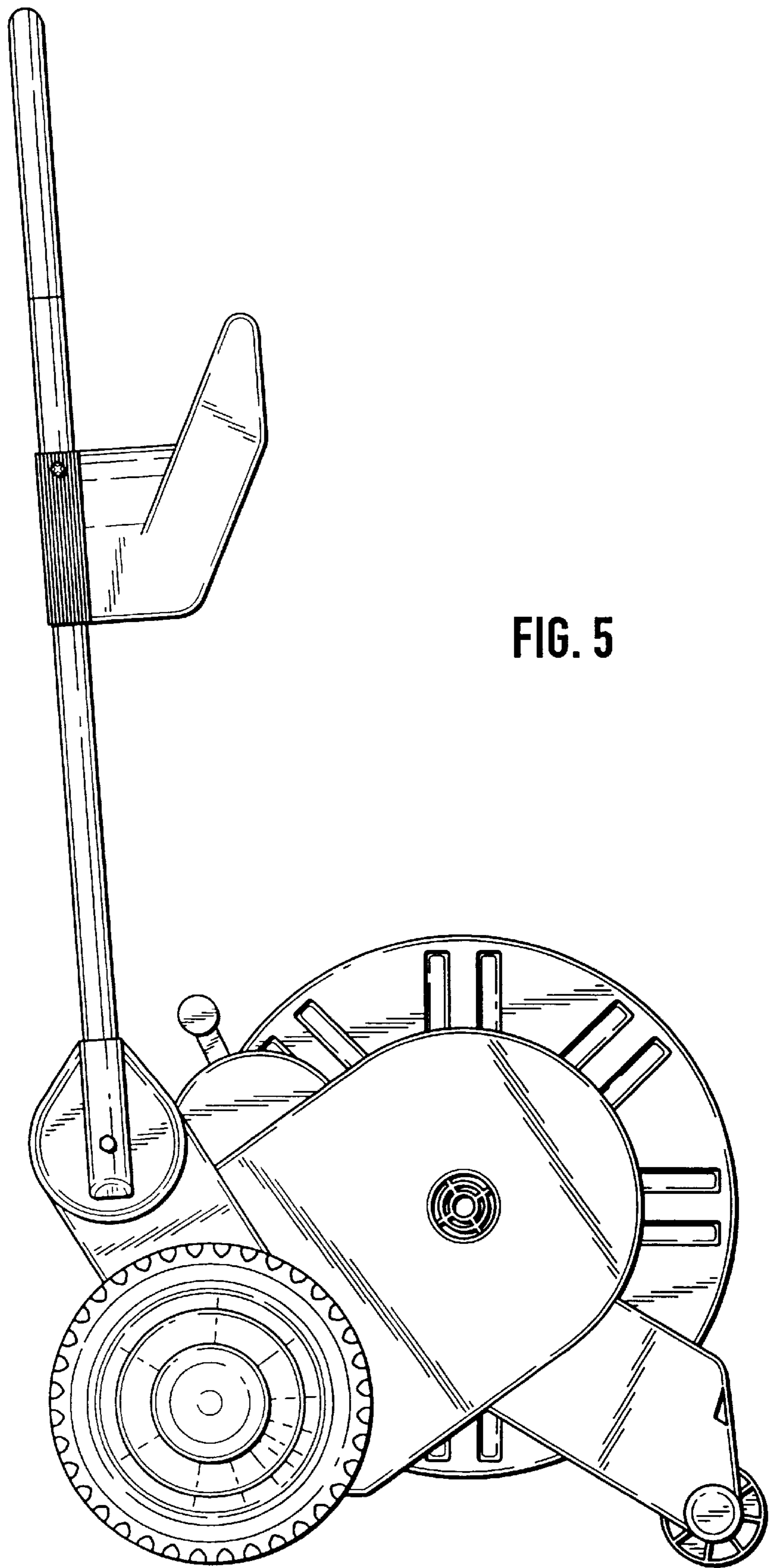


FIG. 5

FIG. 6

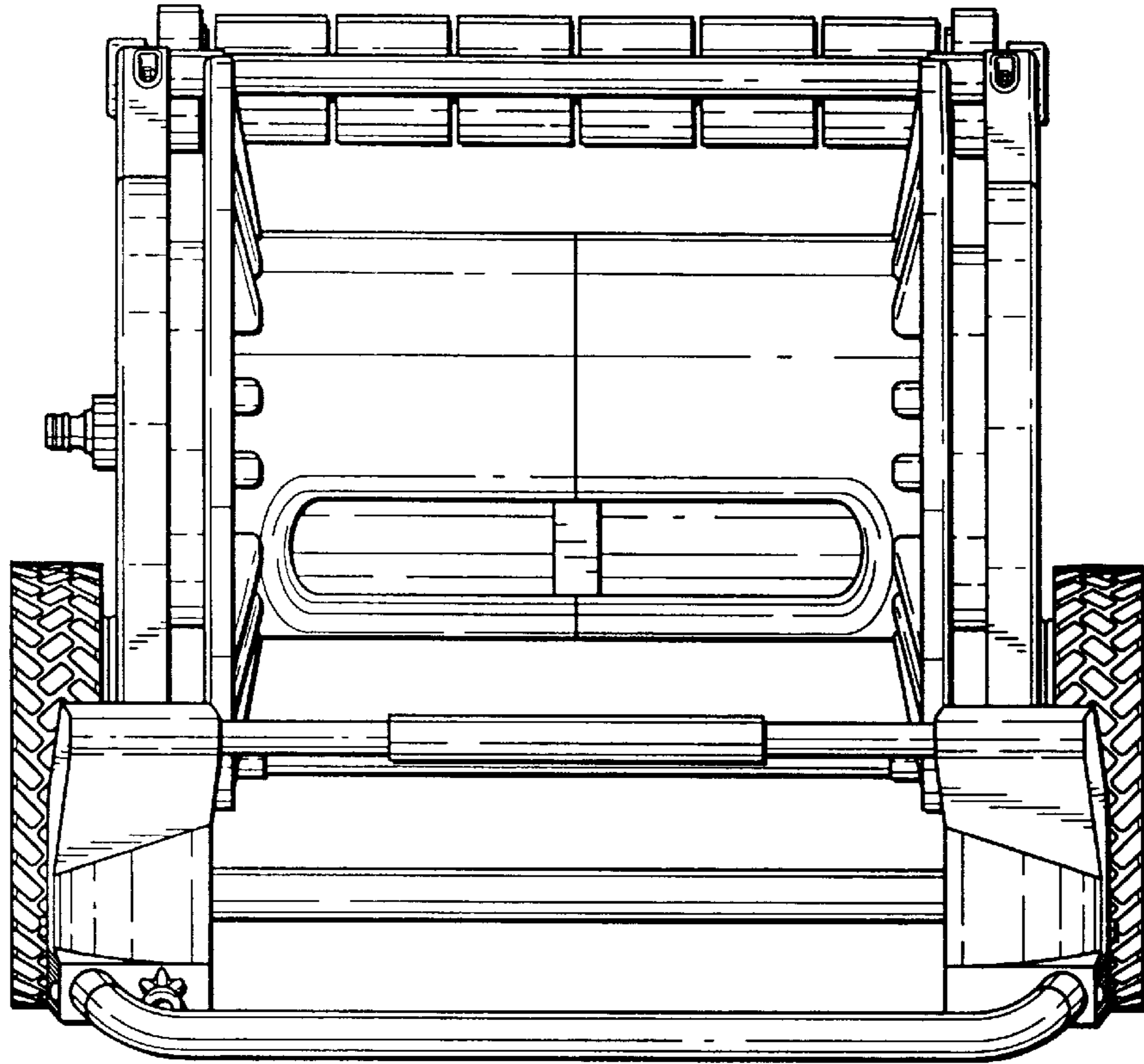


FIG. 7

