



US00D455882S

(12) **United States Design Patent**
Ziolkowski

(10) **Patent No.:** **US D455,882 S**

(45) **Date of Patent:** **** Apr. 16, 2002**

(54) **WELDING CYLINDER DOLLY**

D440,727 S * 4/2001 Keller et al. D34/24

(76) Inventor: **Stephen Ziolkowski**, 426 N. Verdugo Ave., Glendora, CA (US) 91741

* cited by examiner

(**) Term: **14 Years**

Primary Examiner—Kay H. Chin

(74) *Attorney, Agent, or Firm*—Fulwider Patton Lee & Utecht, LLP

(21) Appl. No.: **29/137,569**

(57) **CLAIM**

(22) Filed: **Feb. 22, 2001**

The ornamental design for a welding cylinder dolly, as shown and described.

(51) **LOC (7) Cl.** **12-02**

(52) **U.S. Cl.** **D34/24; D34/26**

(58) **Field of Search** D34/12-27; 280/47.19, 280/47.9, 47.24, 47.27, 47.28, 641, 652, 654, 655

DESCRIPTION

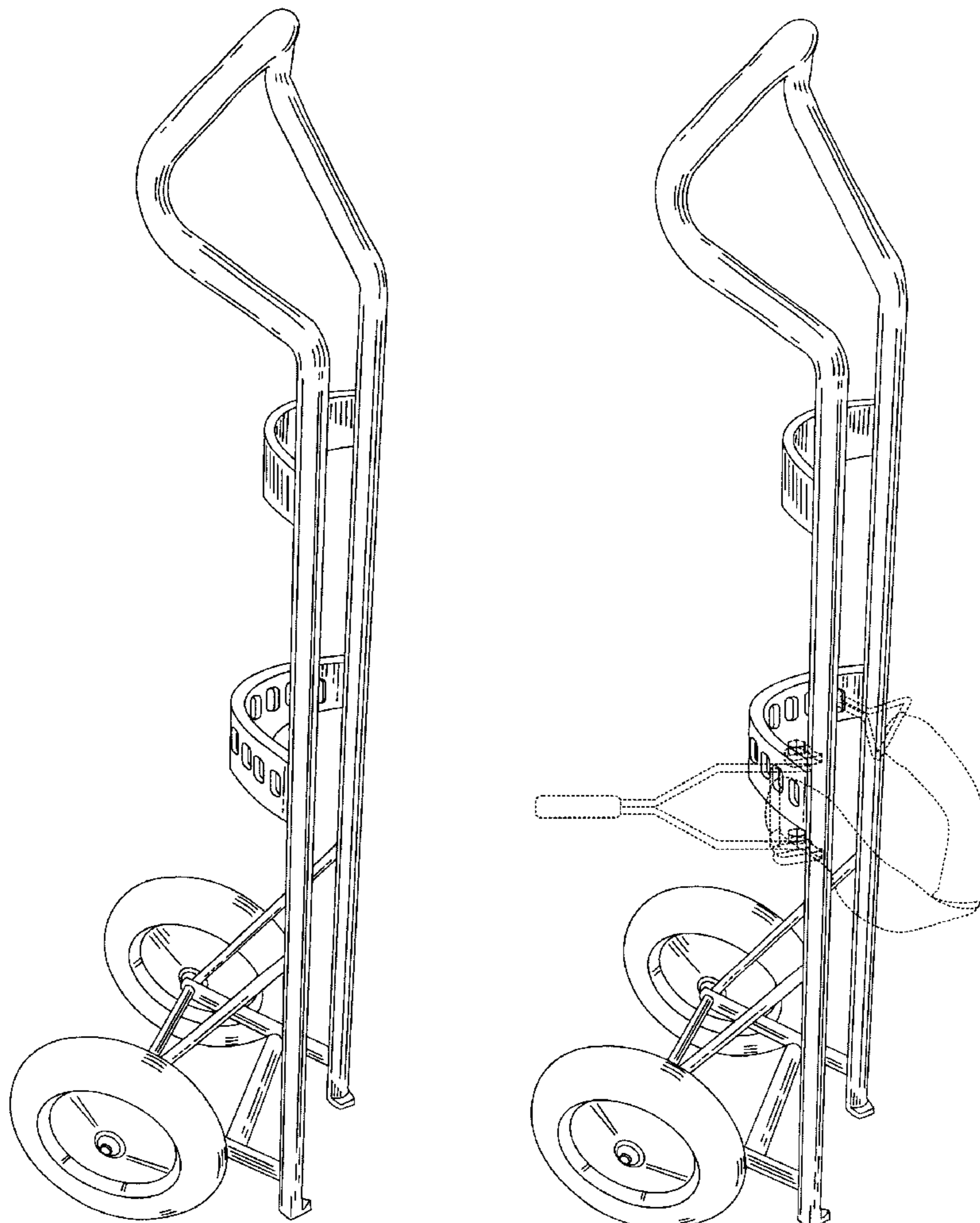
FIG. 1 is a side perspective view of a welding cylinder dolly showing my new design, the broken lines are for illustrative purposes only and form nor part of the claimed design; FIG. 2 is a front view thereof; FIG. 3 is a side view thereof; FIG. 4 is a rear view thereof; FIG. 5 is a top view thereof; and, FIG. 6 is a bottom view thereof.

(56) **References Cited**

U.S. PATENT DOCUMENTS

- 5,340,135 A * 8/1994 Womberly 280/47.19
- D409,346 S * 5/1999 Hurt D34/24
- D423,174 S * 4/2000 Burr D34/24
- D432,283 S * 10/2000 Mohns D34/24

1 Claim, 5 Drawing Sheets



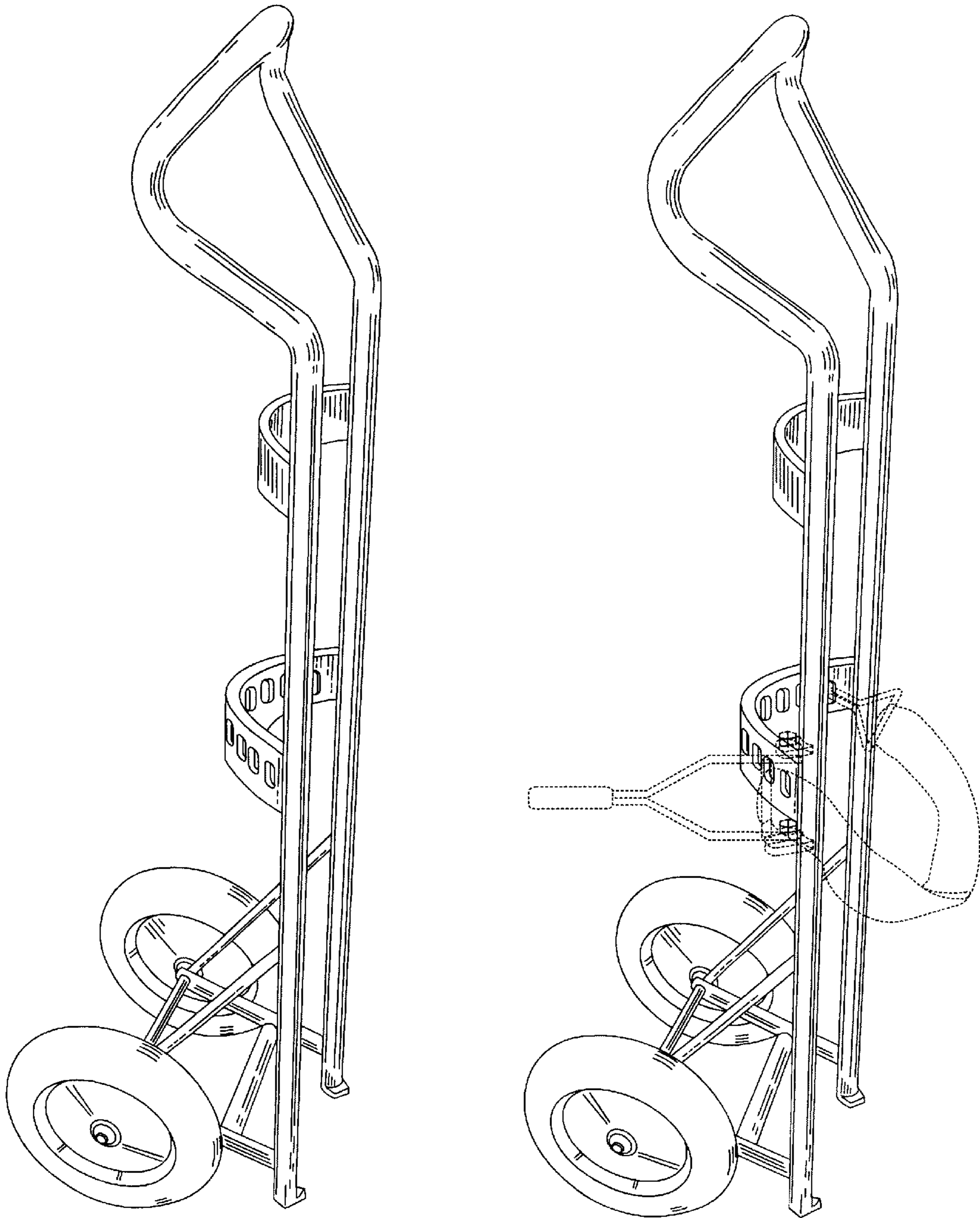


Fig. 1

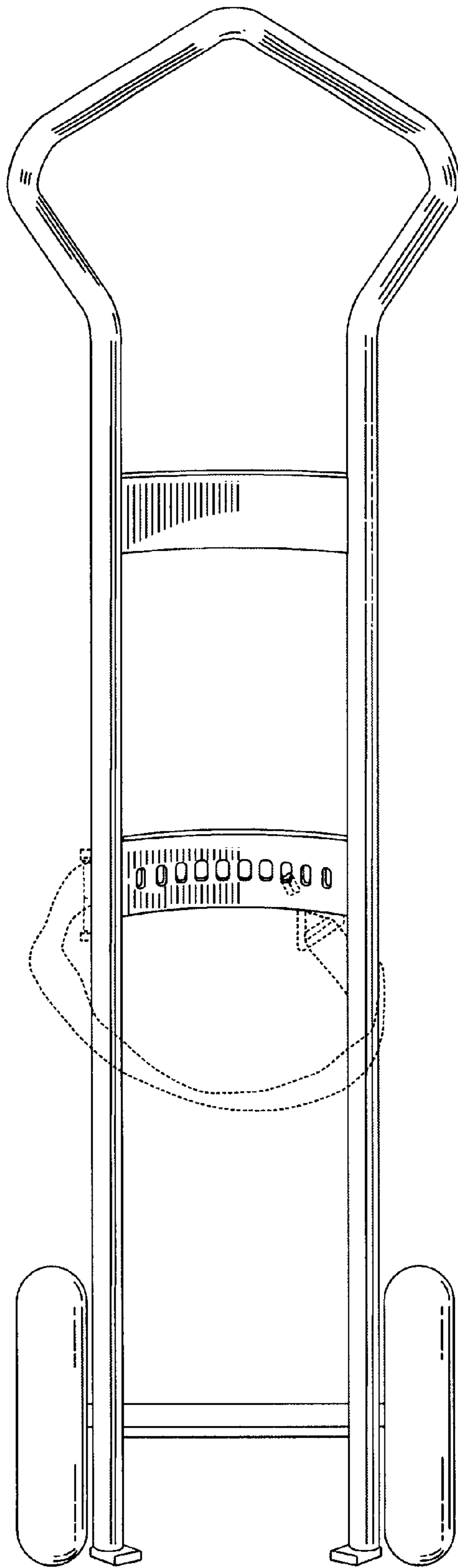


Fig. 2

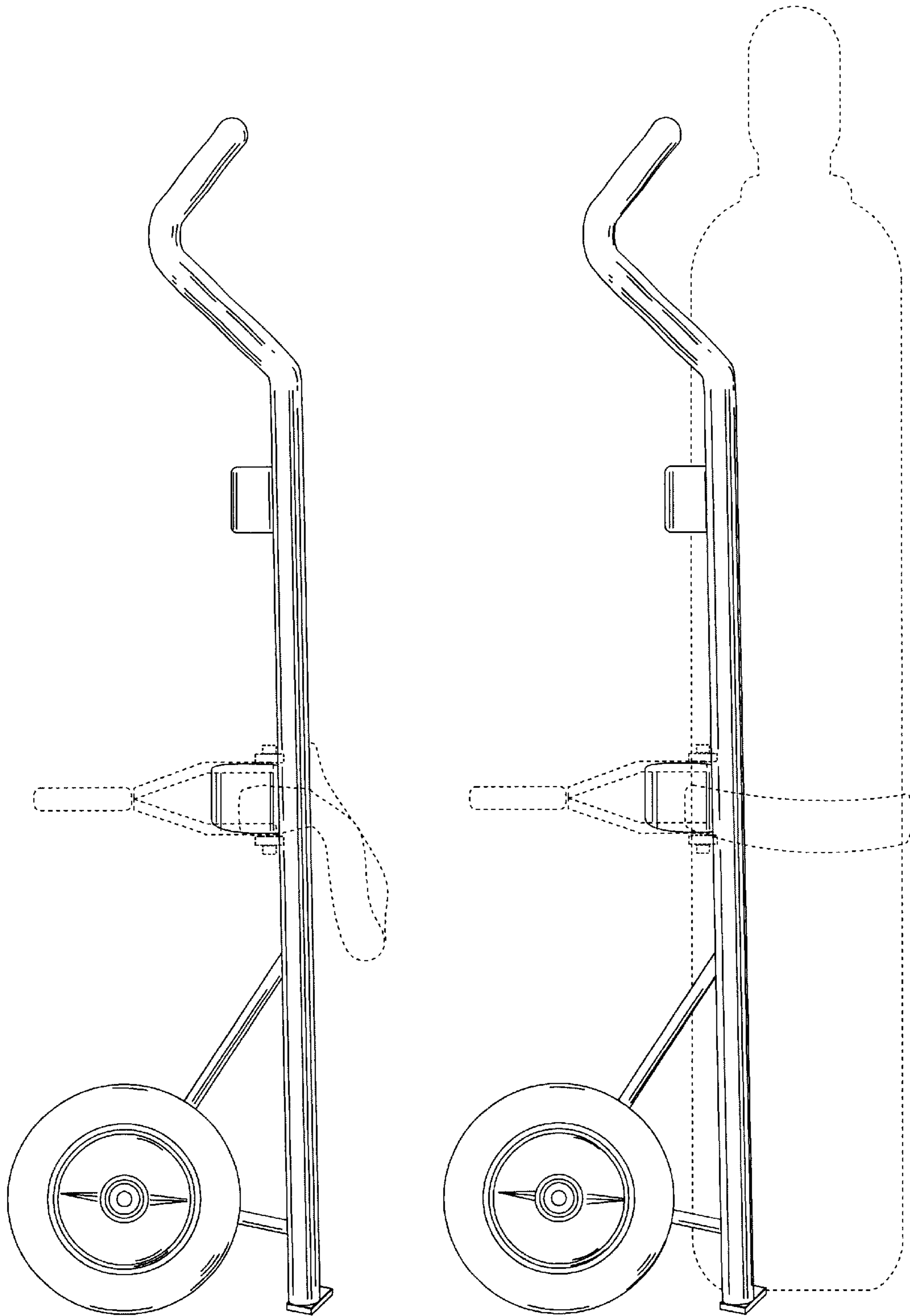


Fig. 3

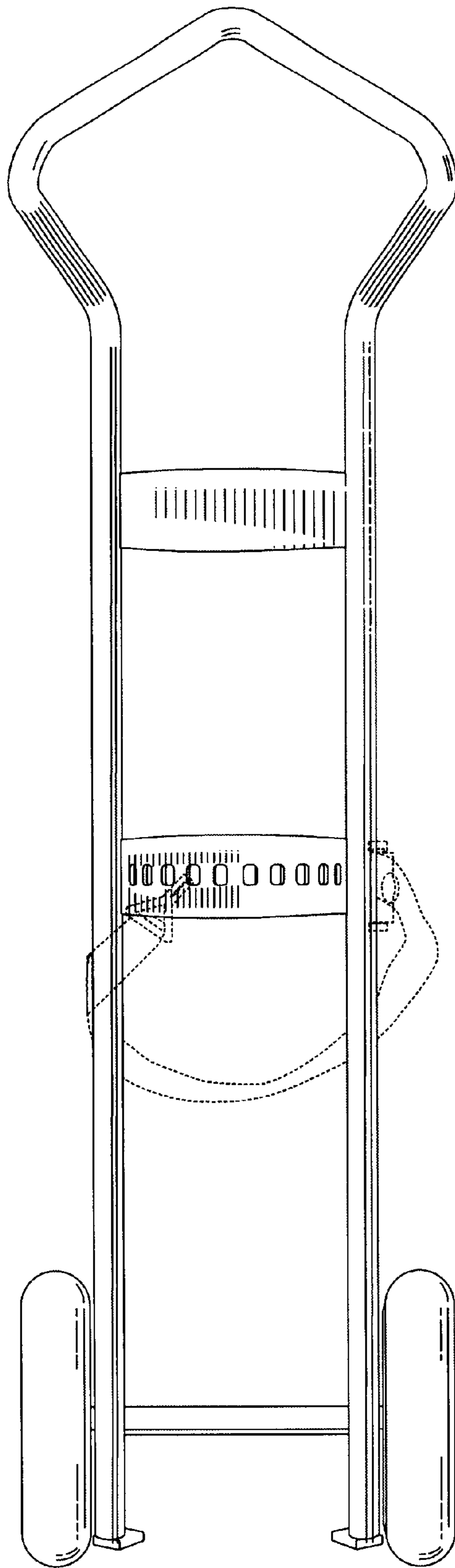


Fig. 4

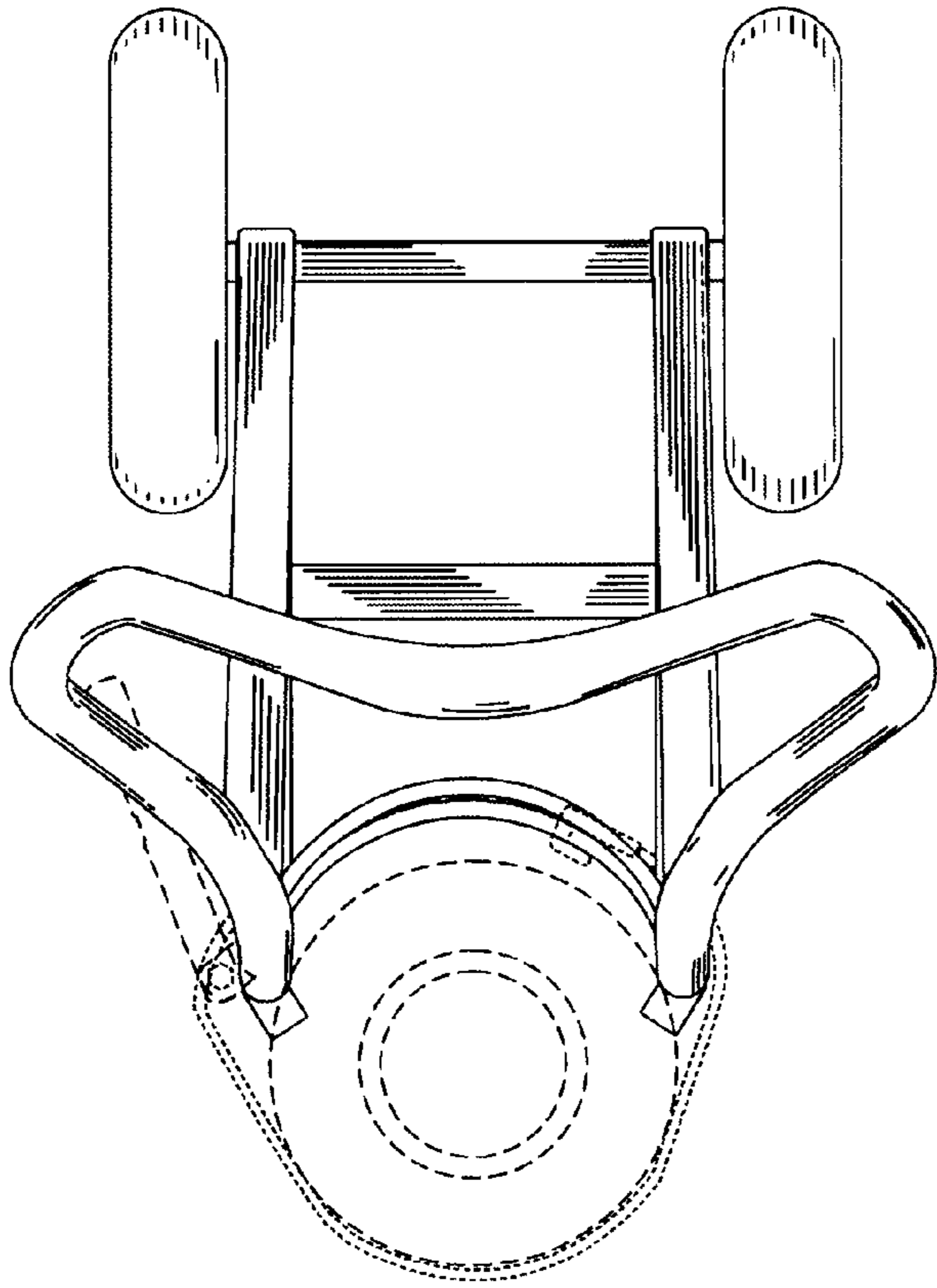


Fig. 5

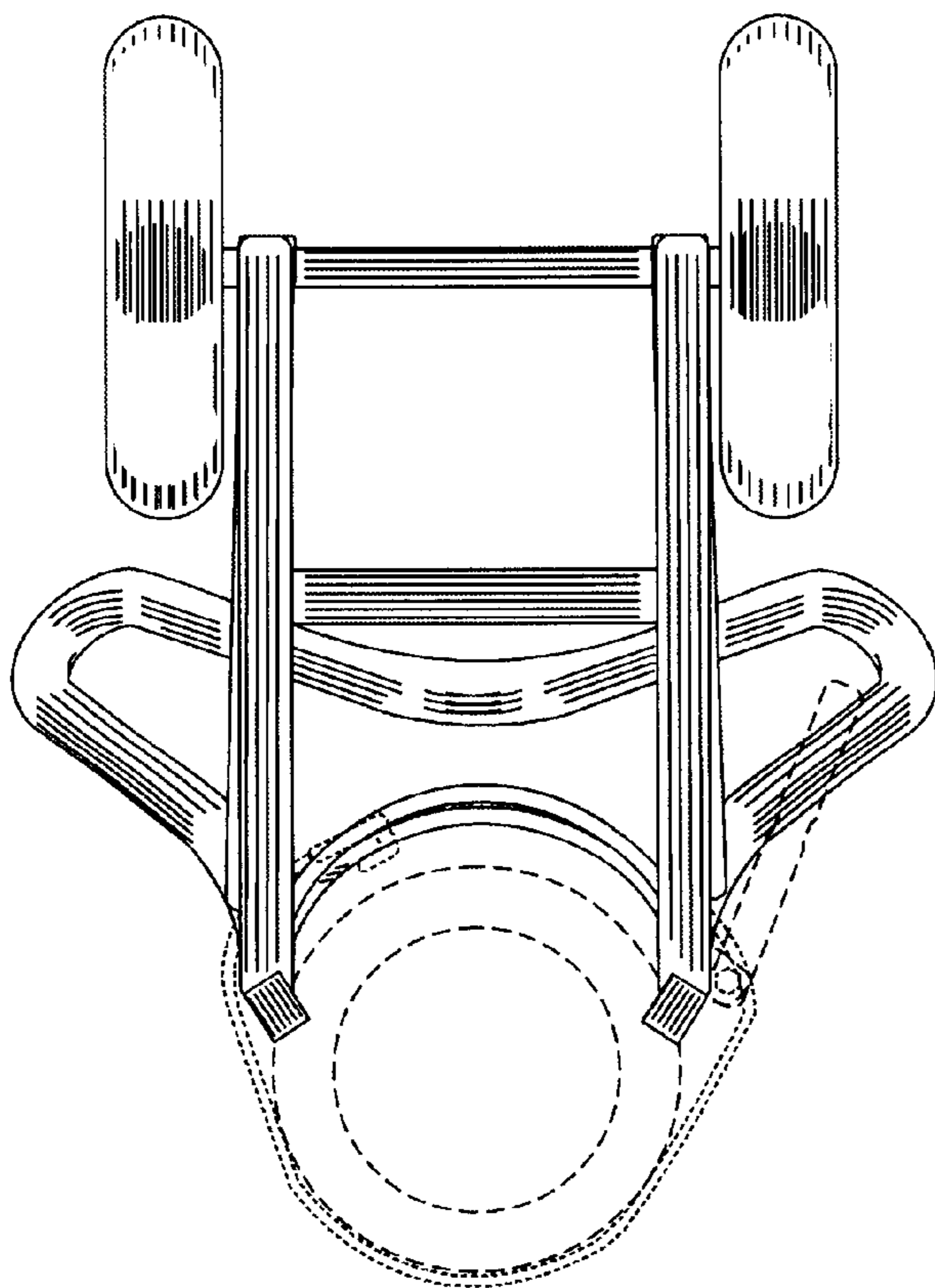


Fig. 6

UNITED STATES PATENT AND TRADEMARK OFFICE
CERTIFICATE OF CORRECTION

PATENT NO. : Des. 455,882 S
DATED : April 16, 2002
INVENTOR(S) : Stephen Ziolkowski

Page 1 of 1

It is certified that error appears in the above-identified patent and that said Letters Patent is hereby corrected as shown below:

Title page,
Description, FIG. 1, replace "nor" with -- no --.

Signed and Sealed this

Twenty-sixth Day of November, 2002

Attest:

A handwritten signature in black ink, appearing to read "James E. Rogan", with a horizontal line drawn underneath it.

Attesting Officer

JAMES E. ROGAN
Director of the United States Patent and Trademark Office