



US00D455881S

(12) **United States Design Patent**
Arvans

(10) **Patent No.:** **US D455,881 S**

(45) **Date of Patent:** **** Apr. 16, 2002**

(54) **DISH, GLASS AND SILVERWARE HANDLING CART**

Primary Examiner—Kay H. Chin
(74) *Attorney, Agent, or Firm*—Eugene F. Friedman

(76) **Inventor:** **Robert S. Arvans**, 133 Chaucer Ct., Willowbrook, IL (US) 60521

(57) **CLAIM**

(**) **Term:** **14 Years**

The ornamental design for a dish, glass and silverware handling cart, as shown and described.

(21) **Appl. No.:** **29/122,055**

DESCRIPTION

(22) **Filed:** **Apr. 14, 2000**

FIG. 1 is a top, left side, front isometric view of dish, glass and silverware handling cart showing the new design.

(51) **LOC (7) Cl.** **12-02**

FIG. 2 is a left side end elevational view thereof.

(52) **U.S. Cl.** **D34/21; D34/12**

FIG. 3 is a right side end elevational view thereof.

(58) **Field of Search** D34/12-27; 296/22; 06/478, 479, 481, 484, 487; 280/79.11, 79.3, 47.35

FIG. 4 is a top plan view thereof.

FIG. 5 is a front elevational view thereof.

FIG. 6 is a rear elevational view thereof.

FIG. 7 is a bottom plan view thereof.

FIG. 8 is a top, left side, and front isometric view of a second embodiment of the dish, glass and silverware handling cart;

(56) **References Cited**

U.S. PATENT DOCUMENTS

D222,633 S	*	11/1971	Carter et al.	D34/21
D301,075 S	*	5/1989	Trubiano	D34/21
D386,871 S	*	11/1997	Halvorson, Jr. et al.	D34/21
D411,903 S	*	7/1999	Arvans	D34/21

FIG. 9 is a left side end elevational view of FIG. 8;

FIG. 10 is a right side end elevational view of FIG. 8;

FIG. 11 is a top, left side, and front isometric view of a third embodiment of the dish, glass and silverware handling cart;

FIG. 12 is a left side end elevational view of FIG. 11; and, FIG. 13 is a right side end elevational view of FIG. 11.

* cited by examiner

1 Claim, 5 Drawing Sheets

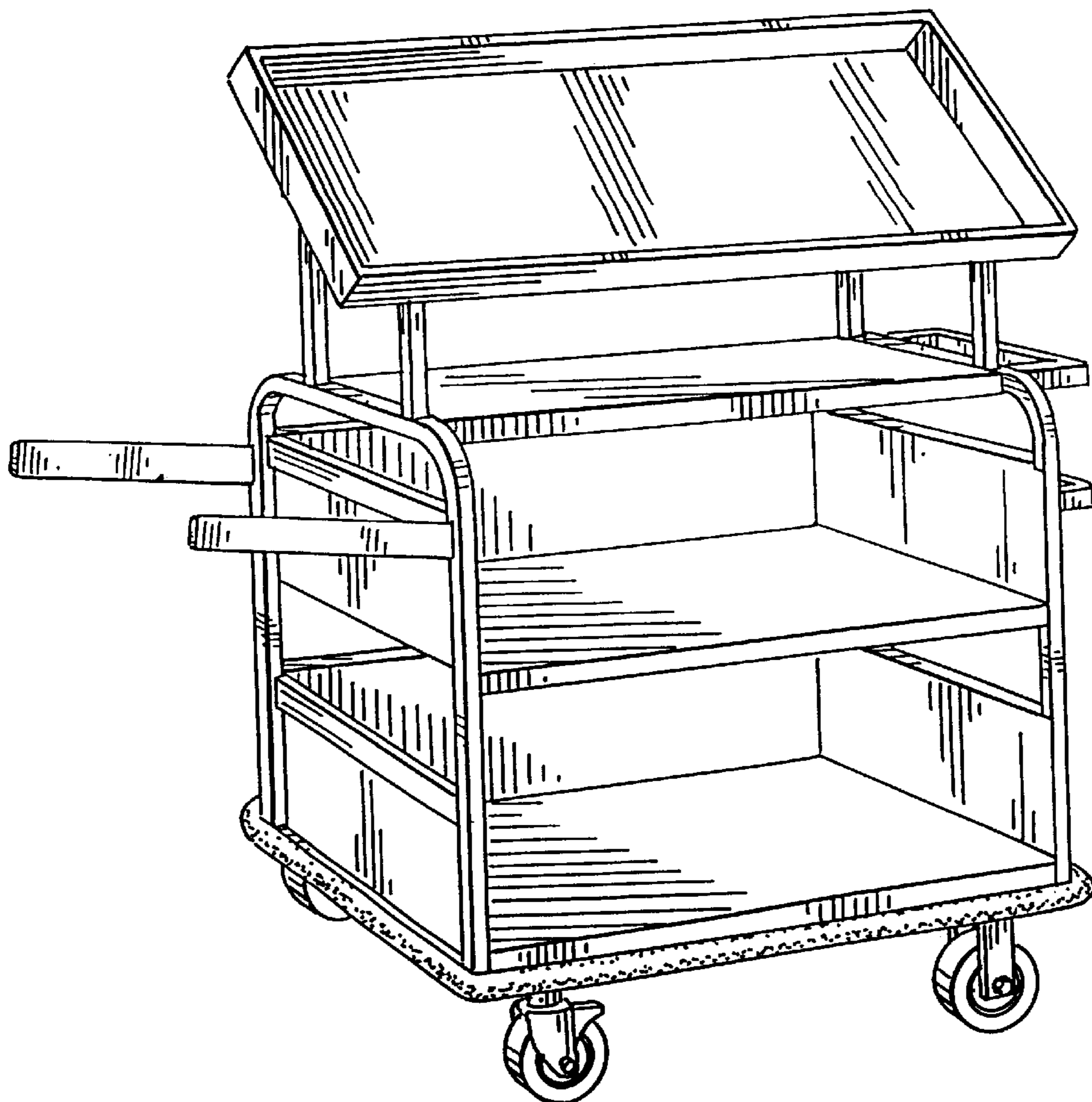


FIG. 1

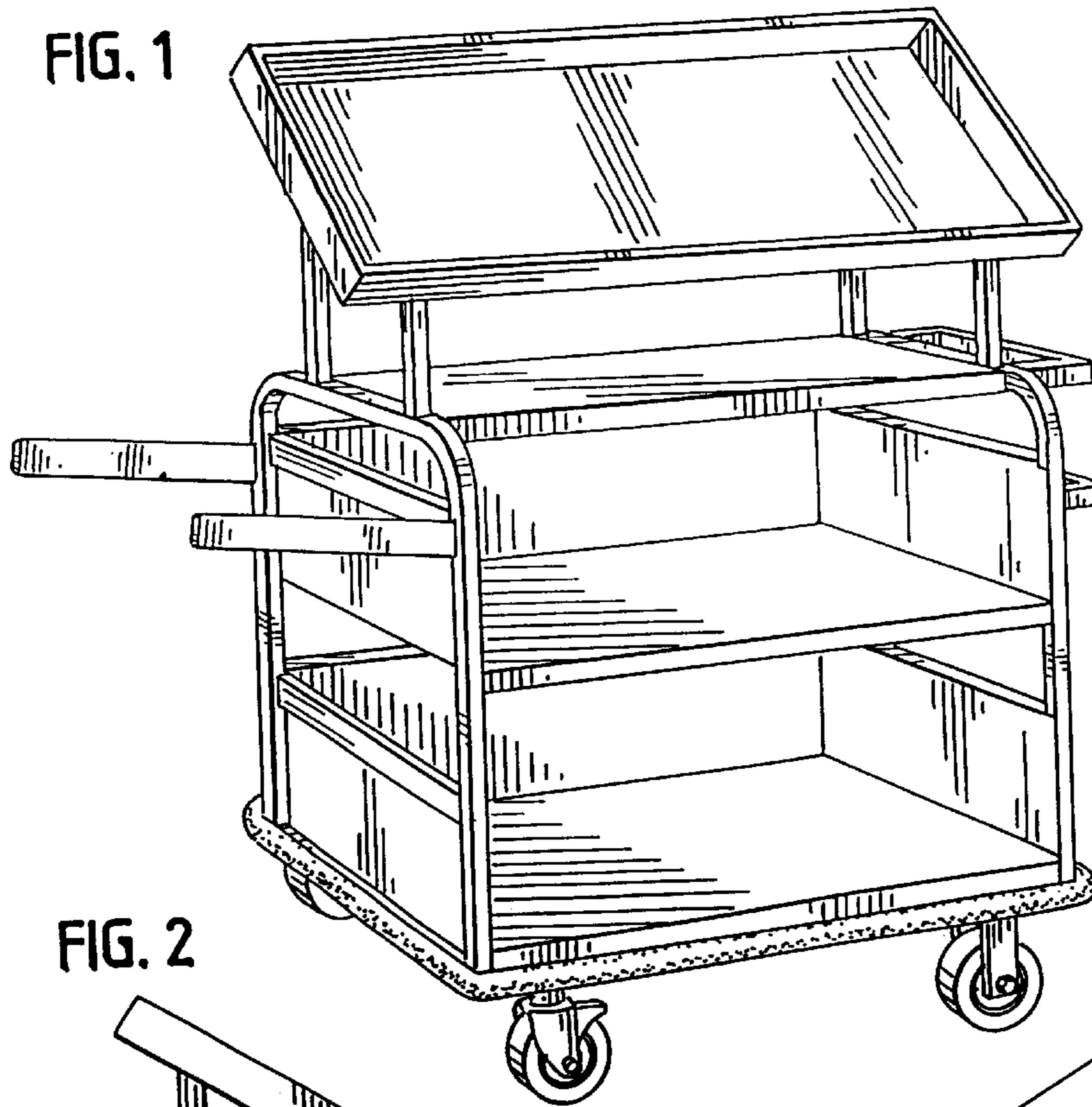


FIG. 2

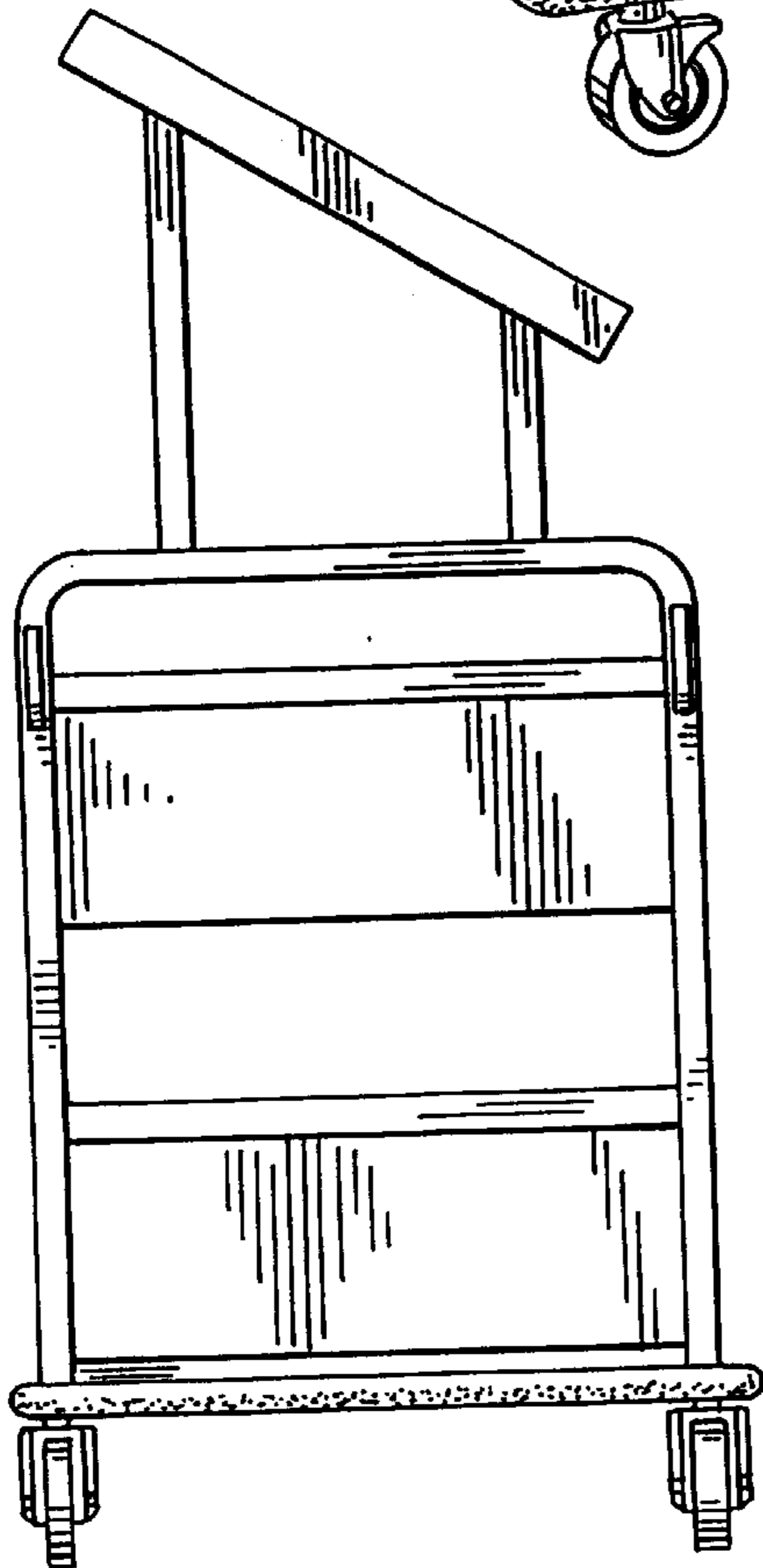


FIG. 3

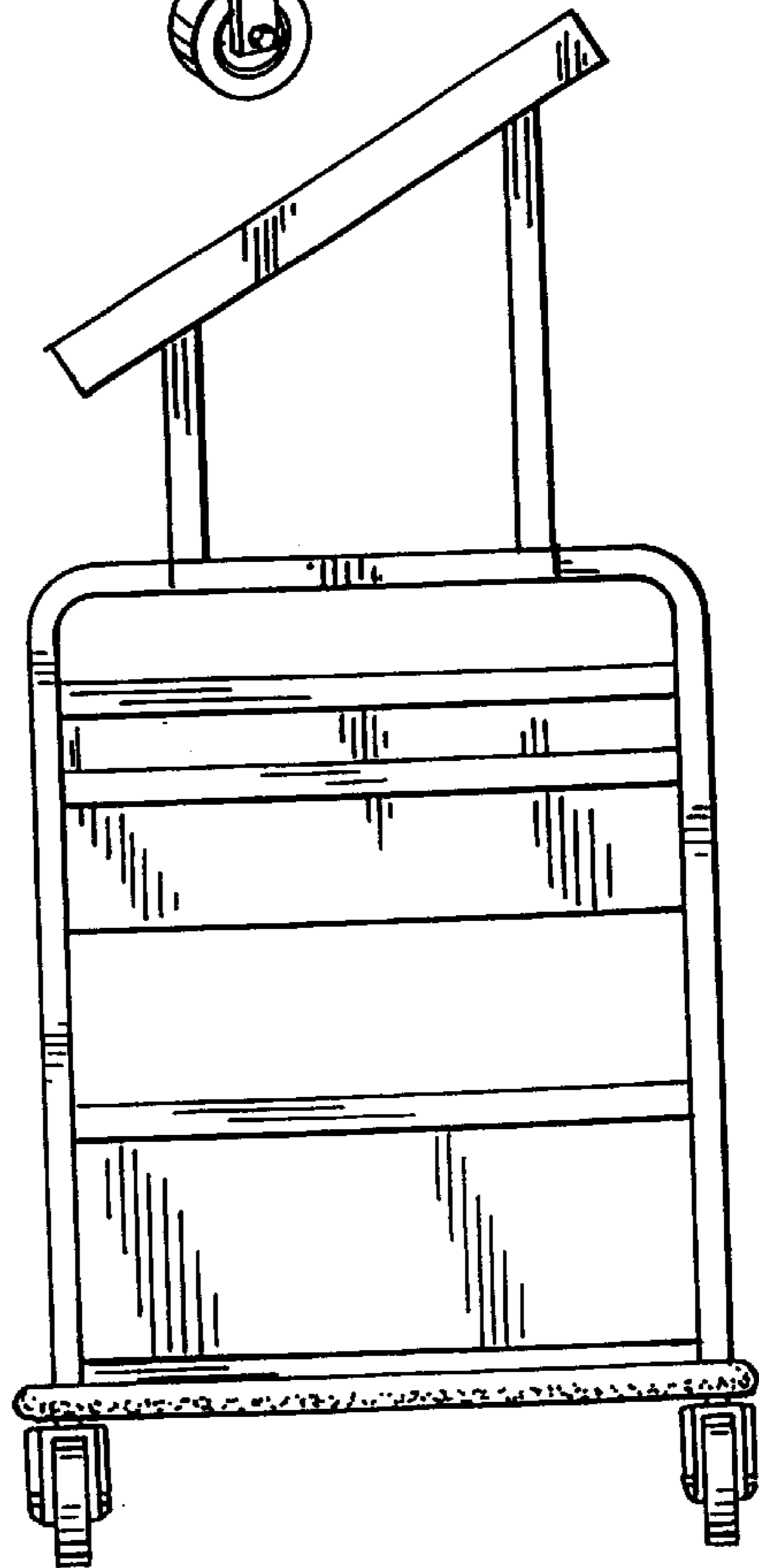


FIG. 4

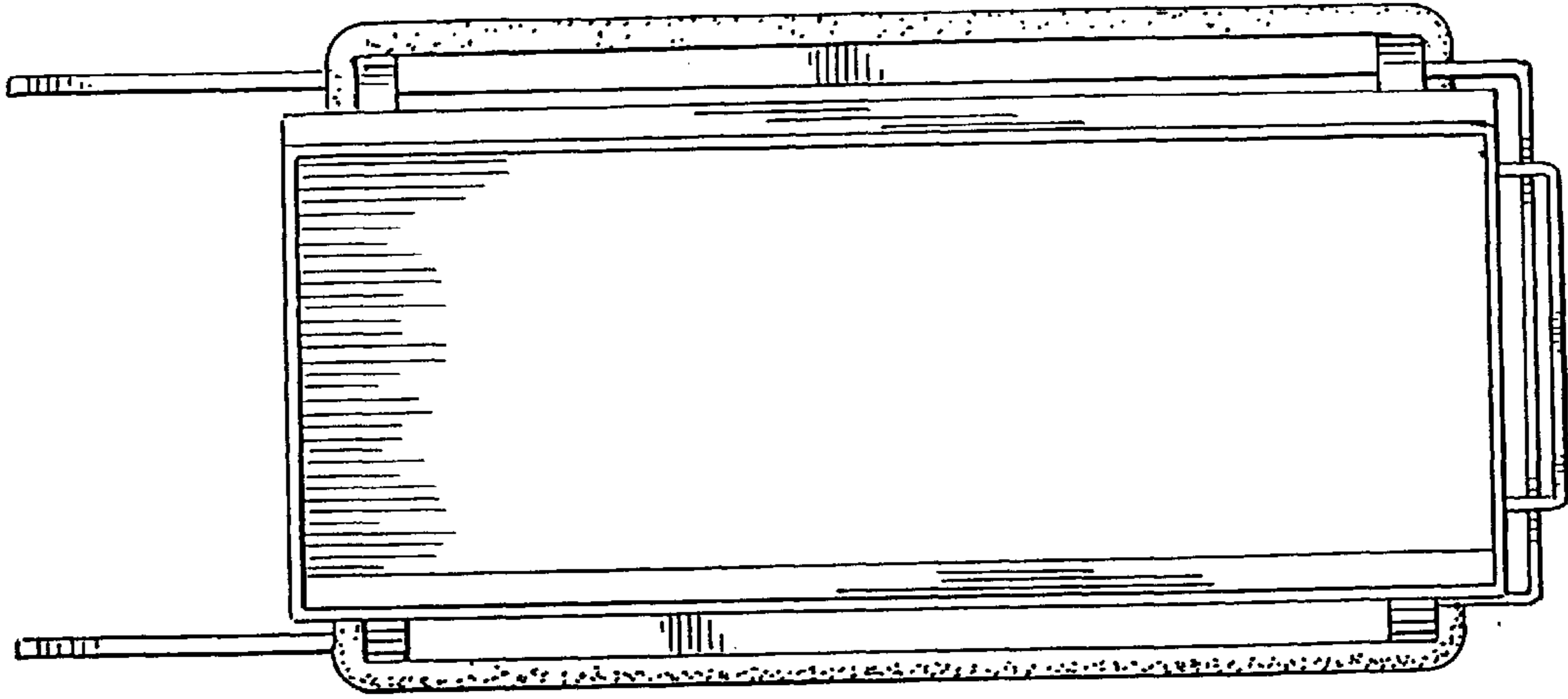


FIG. 5

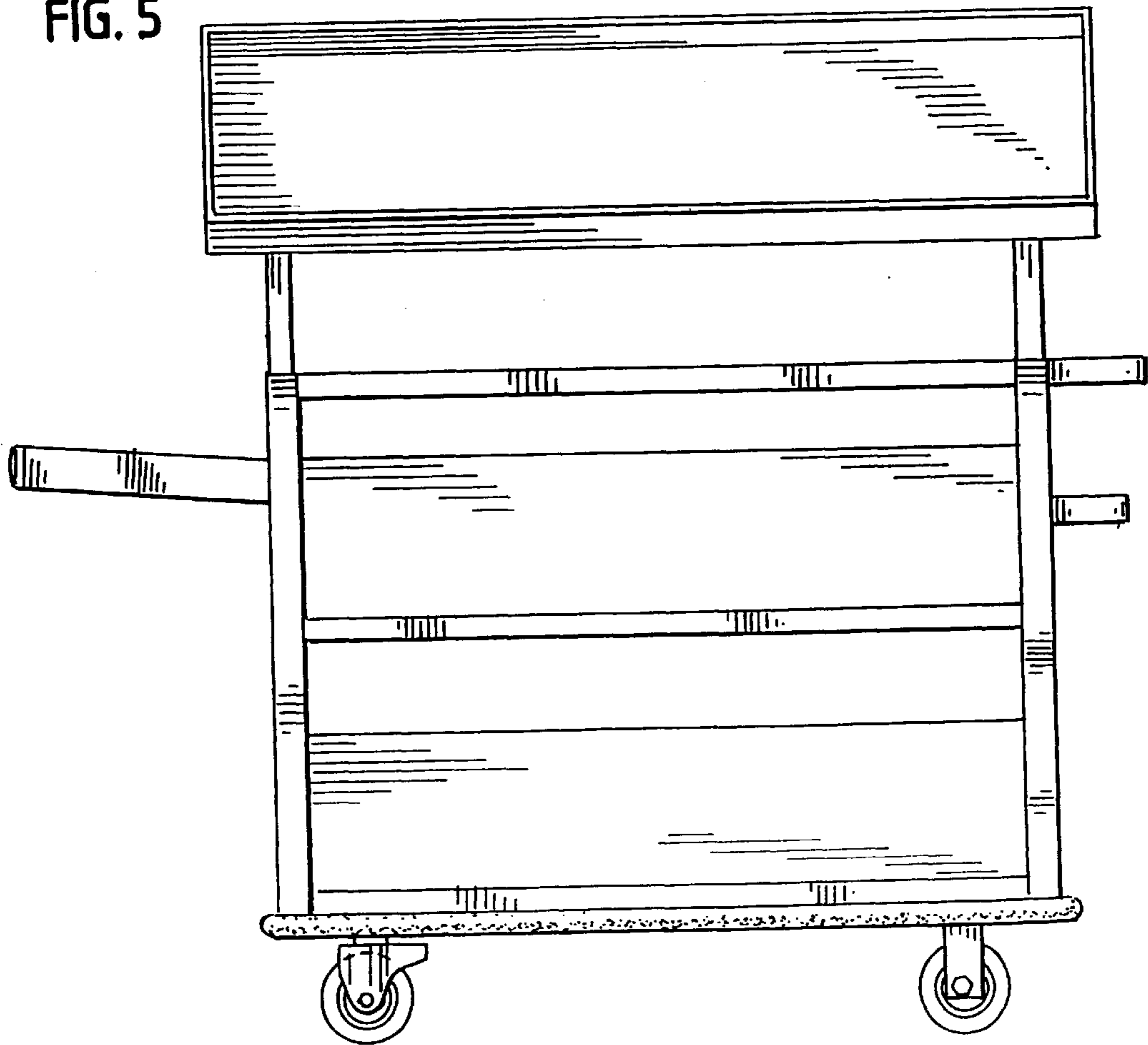


FIG. 6

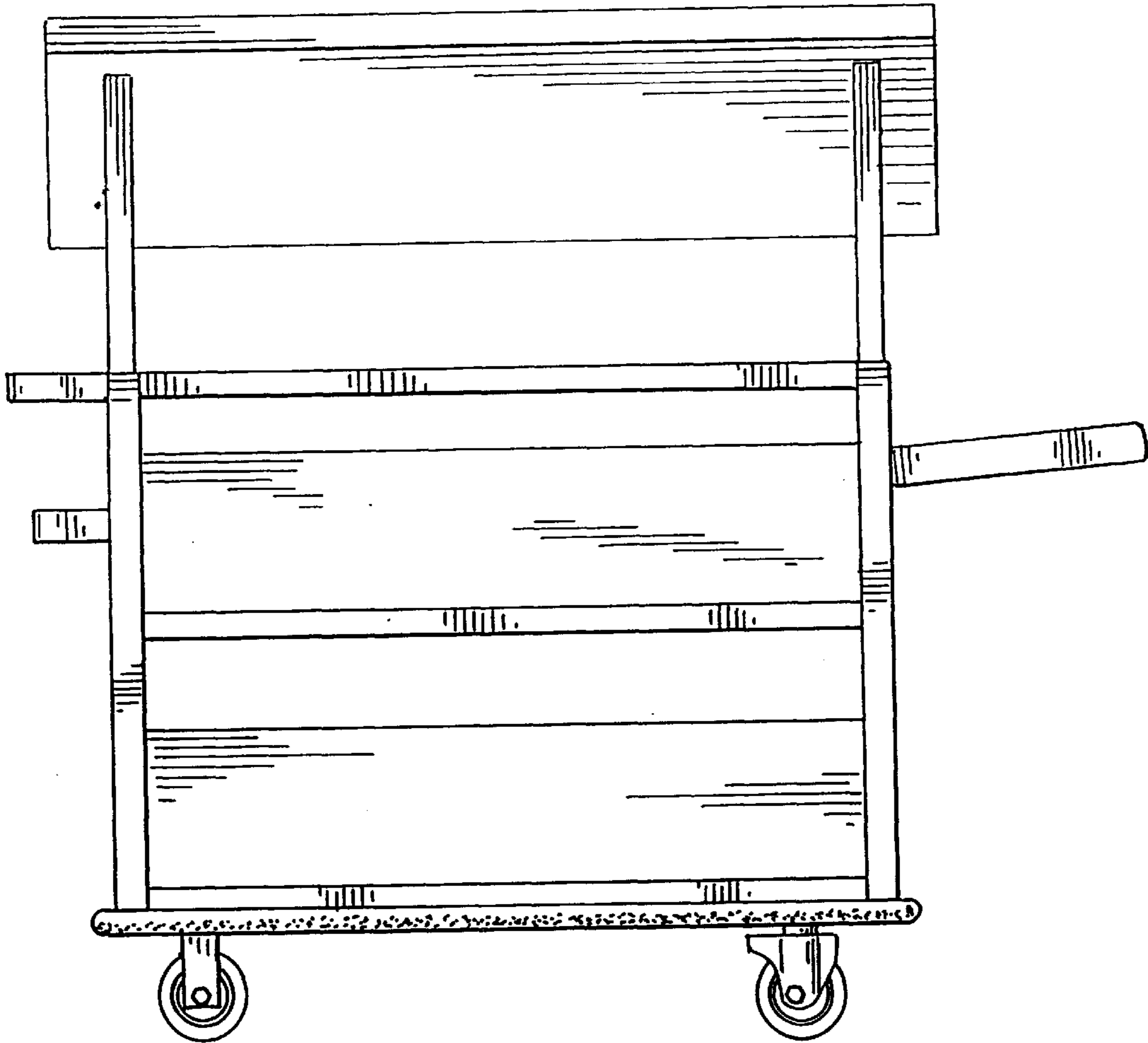


FIG. 7

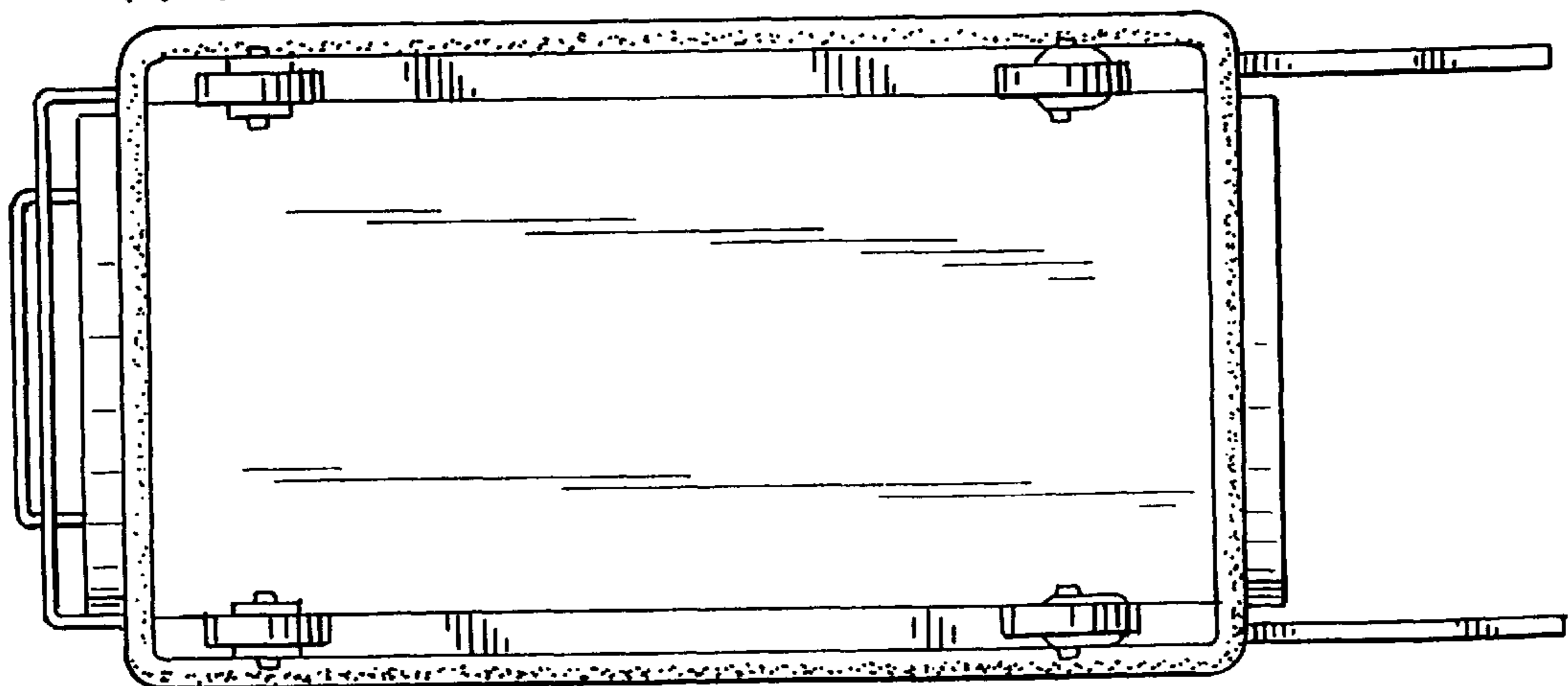


FIG. 8

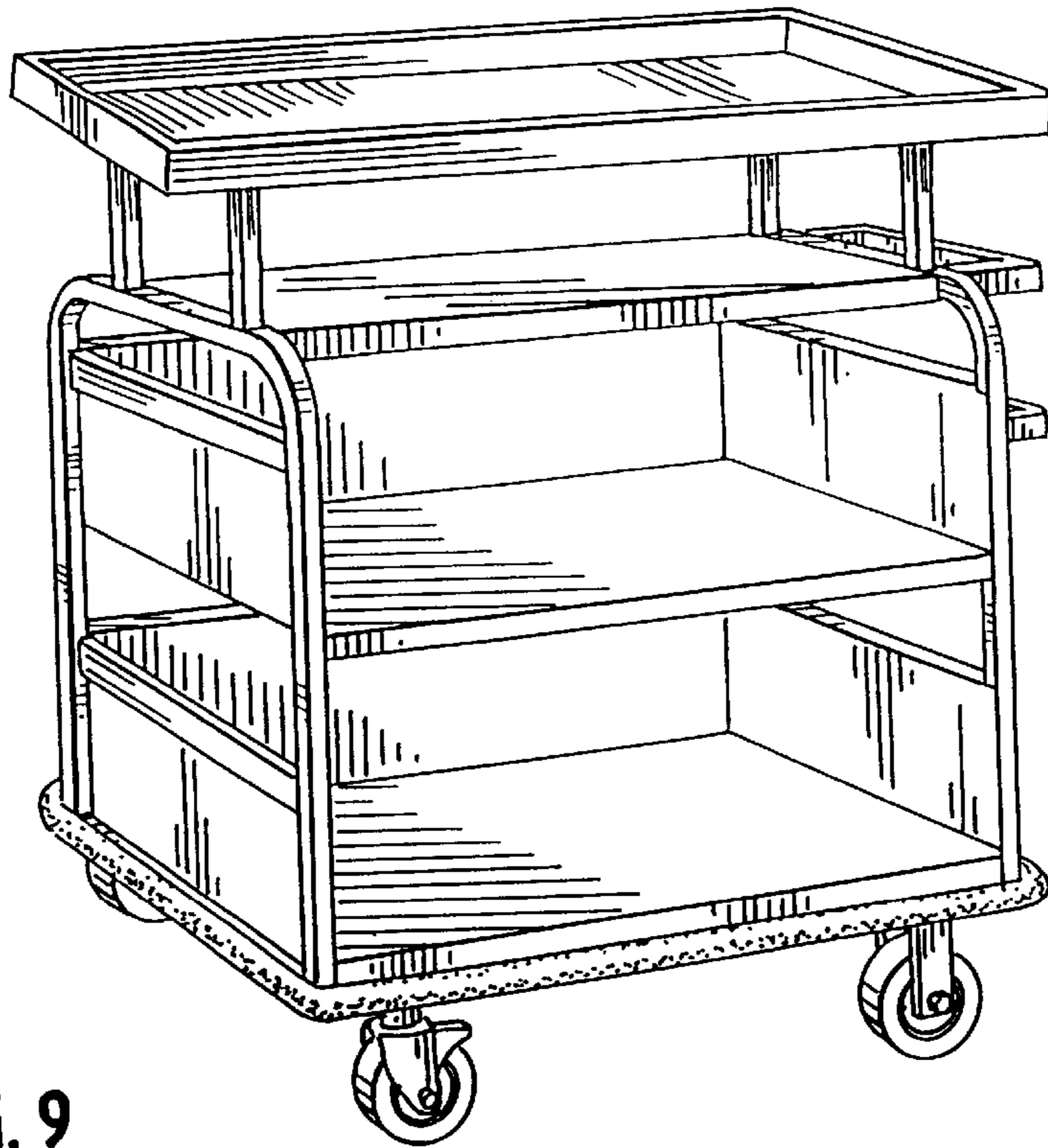


FIG. 9

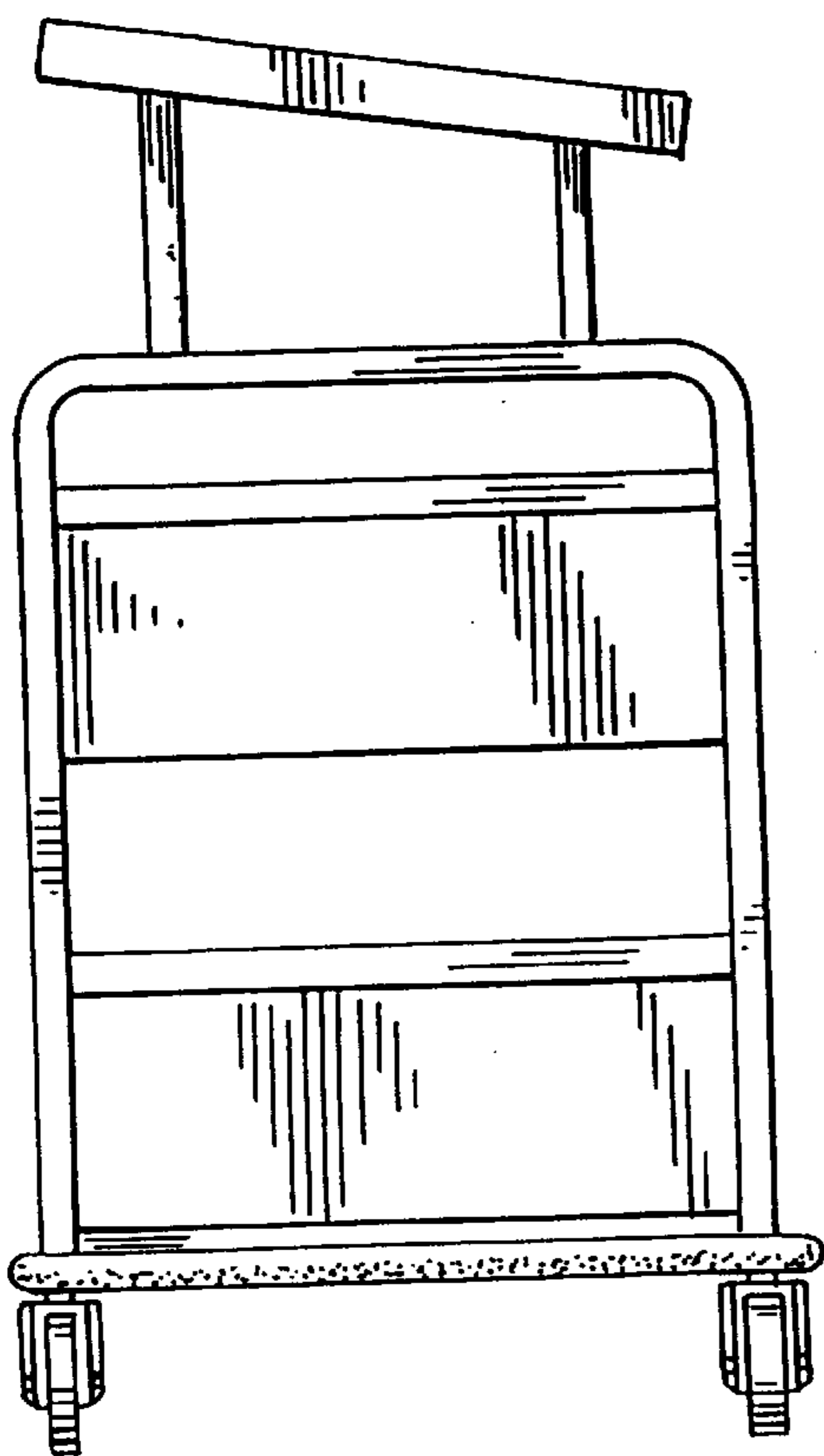


FIG. 10

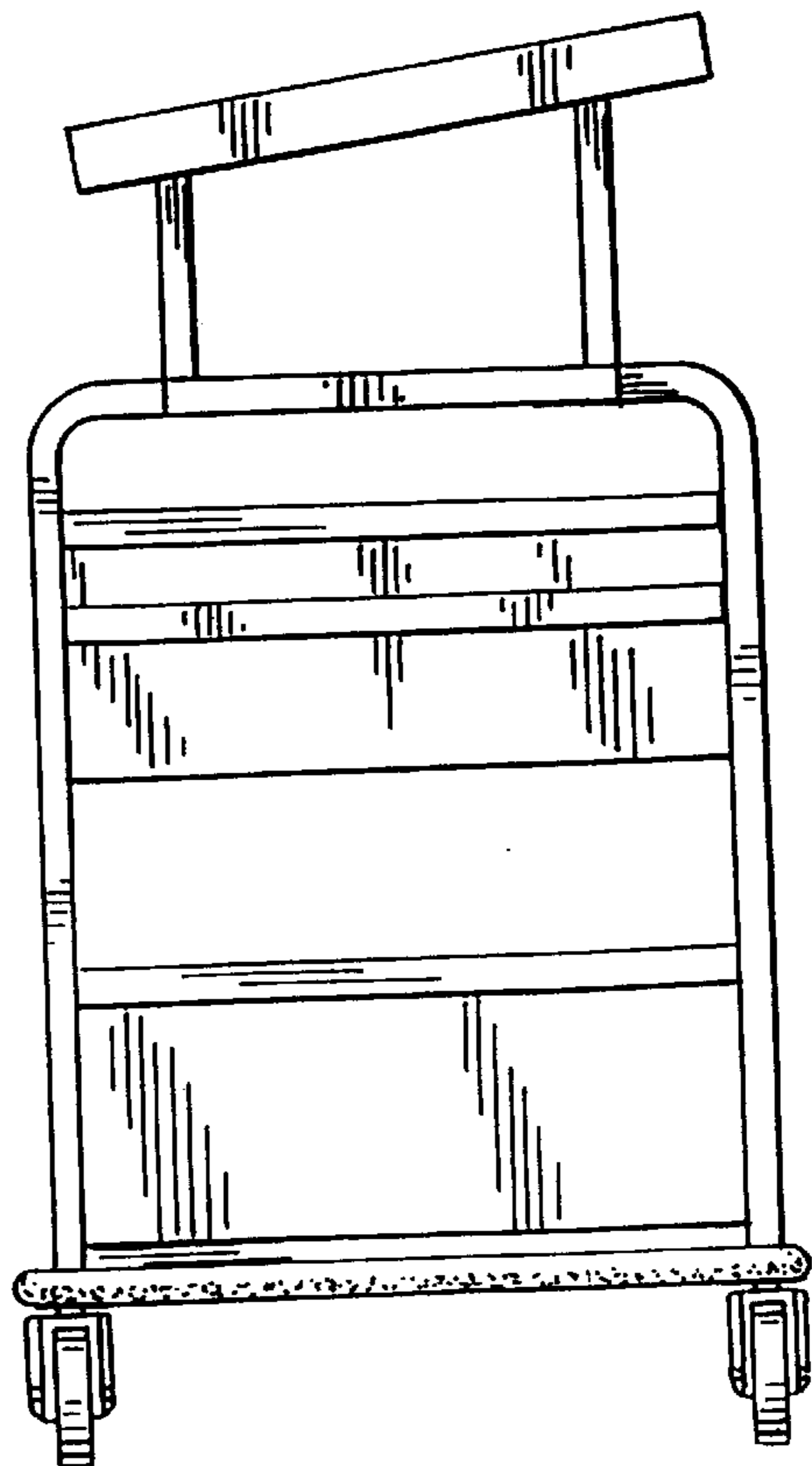


FIG. 11

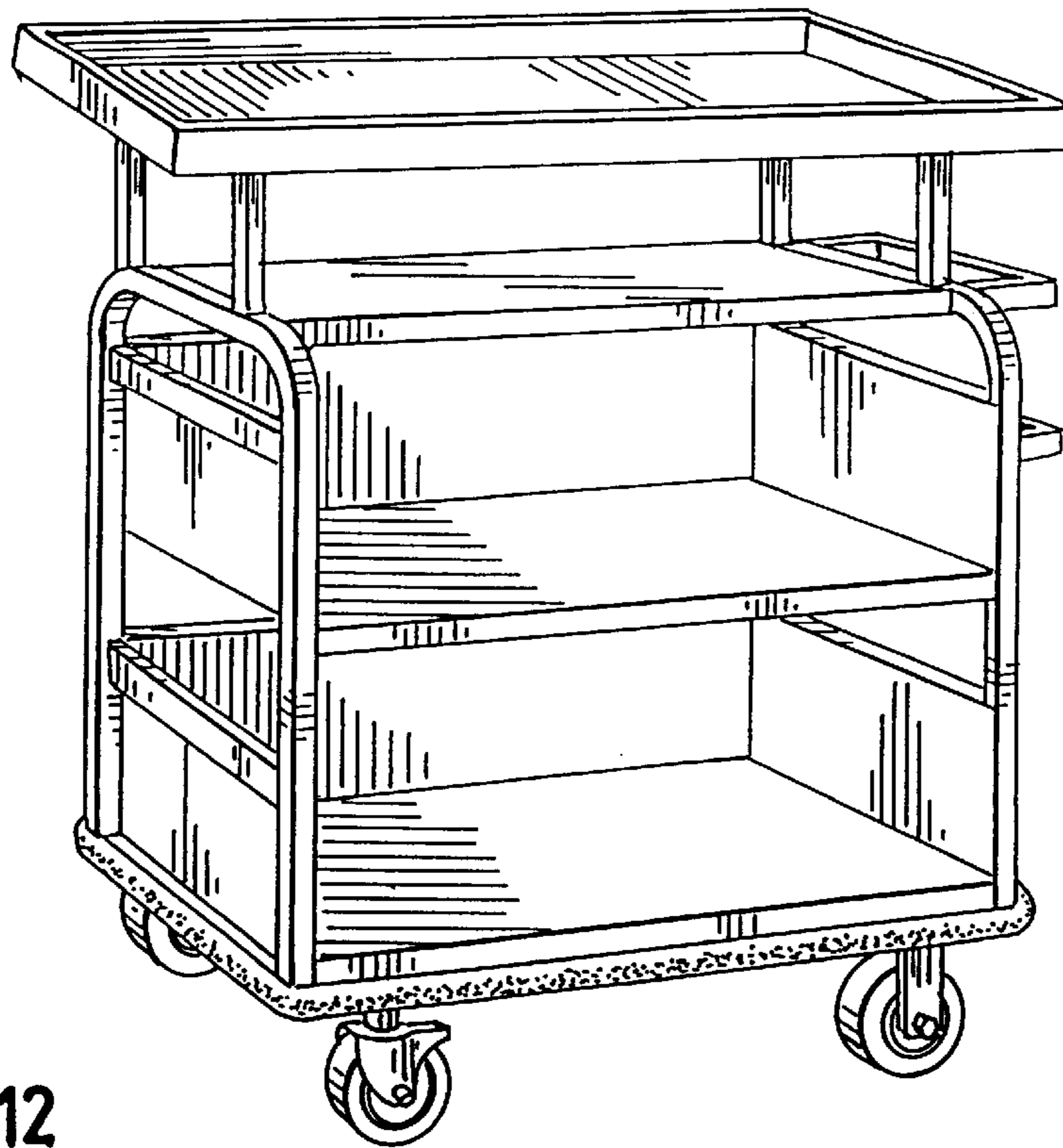


FIG. 12

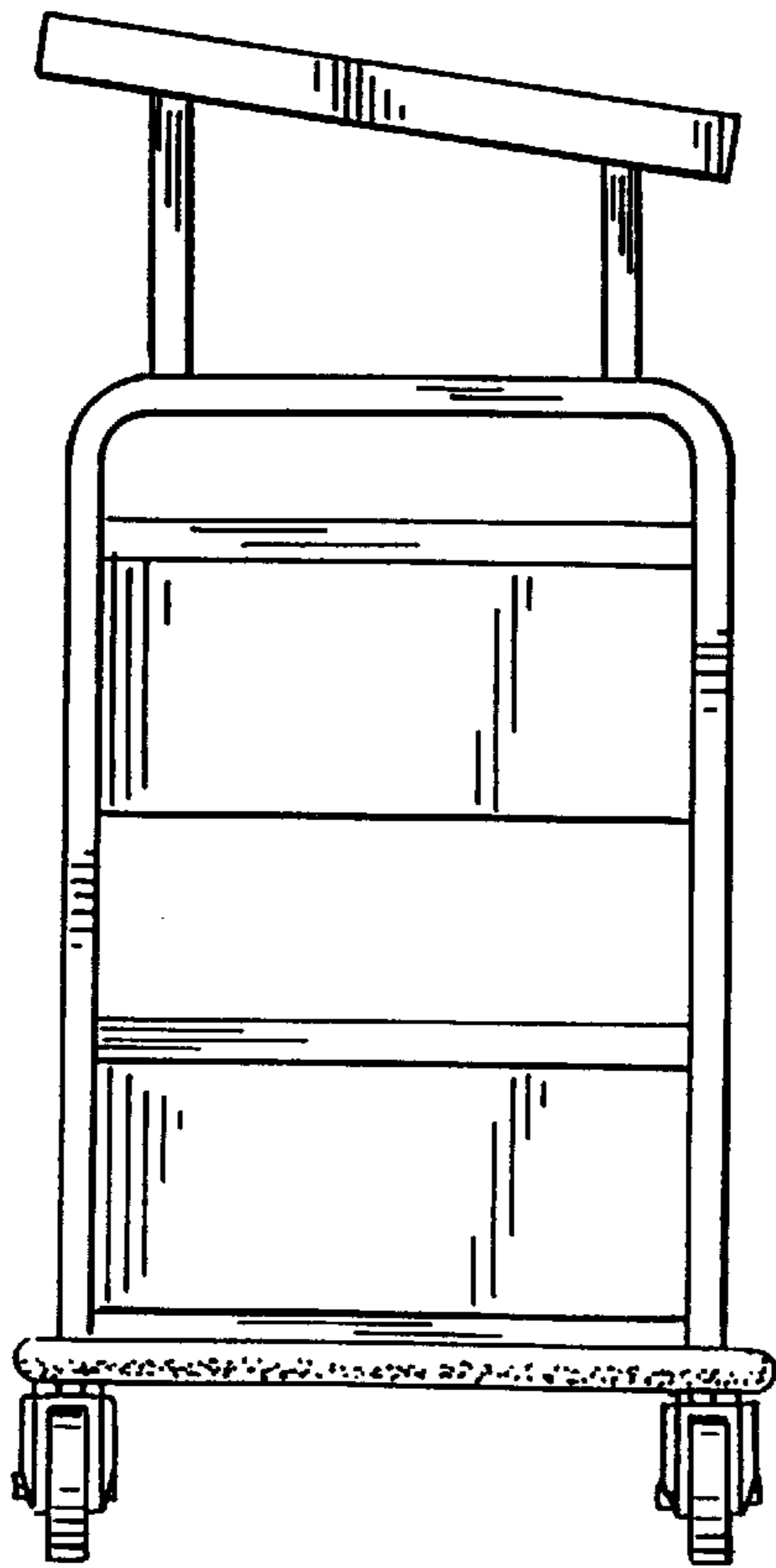


FIG. 13

