



US00D455880S

(12) **United States Design Patent**
Nicoud et al.

(10) **Patent No.:** **US D455,880 S**

(45) **Date of Patent:** **** Apr. 16, 2002**

(54) **COLLECTOR FOR DOG DROPPINGS**

D421,823 S * 3/2000 Meier D34/1
D422,126 S * 3/2000 Mckeown et al. D34/1
D436,705 S * 1/2001 Dow et al. D34/5

(76) Inventors: **Joël Nicoud; Heidi Béatrice Nicoud,**
both of **Domaine les Diochets, Les**
Roussets, 01560 Curciat-Dongalon (FR)

(**) Term: **14 Years**

(21) Appl. No.: **29/122,853**

(22) Filed: **May 5, 2000**

(30) **Foreign Application Priority Data**

Nov. 8, 1999 (FR) 99 7070

(51) **LOC (7) Cl.** **09-09**

(52) **U.S. Cl.** **D34/1; D34/7**

(58) **Field of Search** D34/1, 5, 11; 220/908,
220/910, 909, 911, 675, DIG. 12, 14; 232/1 E,
1 B, 43.2

(56) **References Cited**

U.S. PATENT DOCUMENTS

1,327,778 A 1/1920 Reichman et al.
2,007,042 A 7/1935 Duckett et al.
3,642,336 A 2/1972 Harvey, Sr.
3,845,858 A 11/1974 Jenkins
D369,007 S * 4/1996 Jones D34/1
D381,157 S * 7/1997 Kane D34/1
D387,531 S * 12/1997 Tisbo et al. D34/1
D410,575 S * 6/1999 Meier D34/1

FOREIGN PATENT DOCUMENTS

CA 595453 4/1960
CH 601 078 6/1978
DE 41 40 769 C1 6/1993
DE 297 04 738 U1 7/1998
DE 299 05 244 U1 9/1999
EP 0082118 6/1983
FR 1 587 486 3/1970
FR 2 729 375 7/1996
GB I 385 090 2/1975

* cited by examiner

Primary Examiner—Cynthia E. Ramirez

(74) *Attorney, Agent, or Firm*—Arent Fox Kintner Plotkin
& Kahn, PLLC

(57) **CLAIM**

The ornamental design for a collector for dog droppings, as shown.

DESCRIPTION

FIG. 1 is a perspective view for a collector for dog droppings showing our new design; FIG. 2 is a side view thereof; and, FIG. 3 is a rear view thereof.

1 Claim, 3 Drawing Sheets

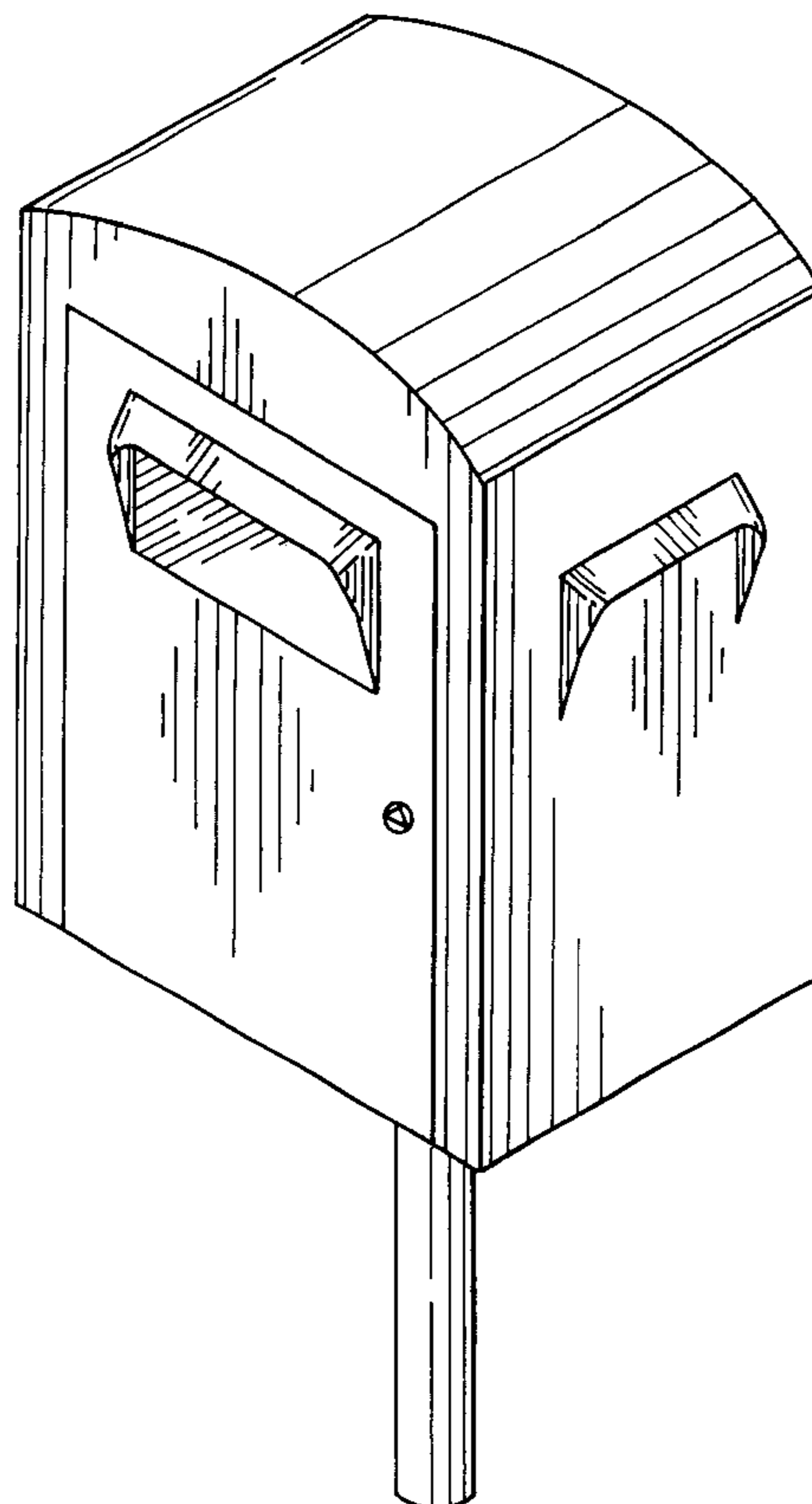
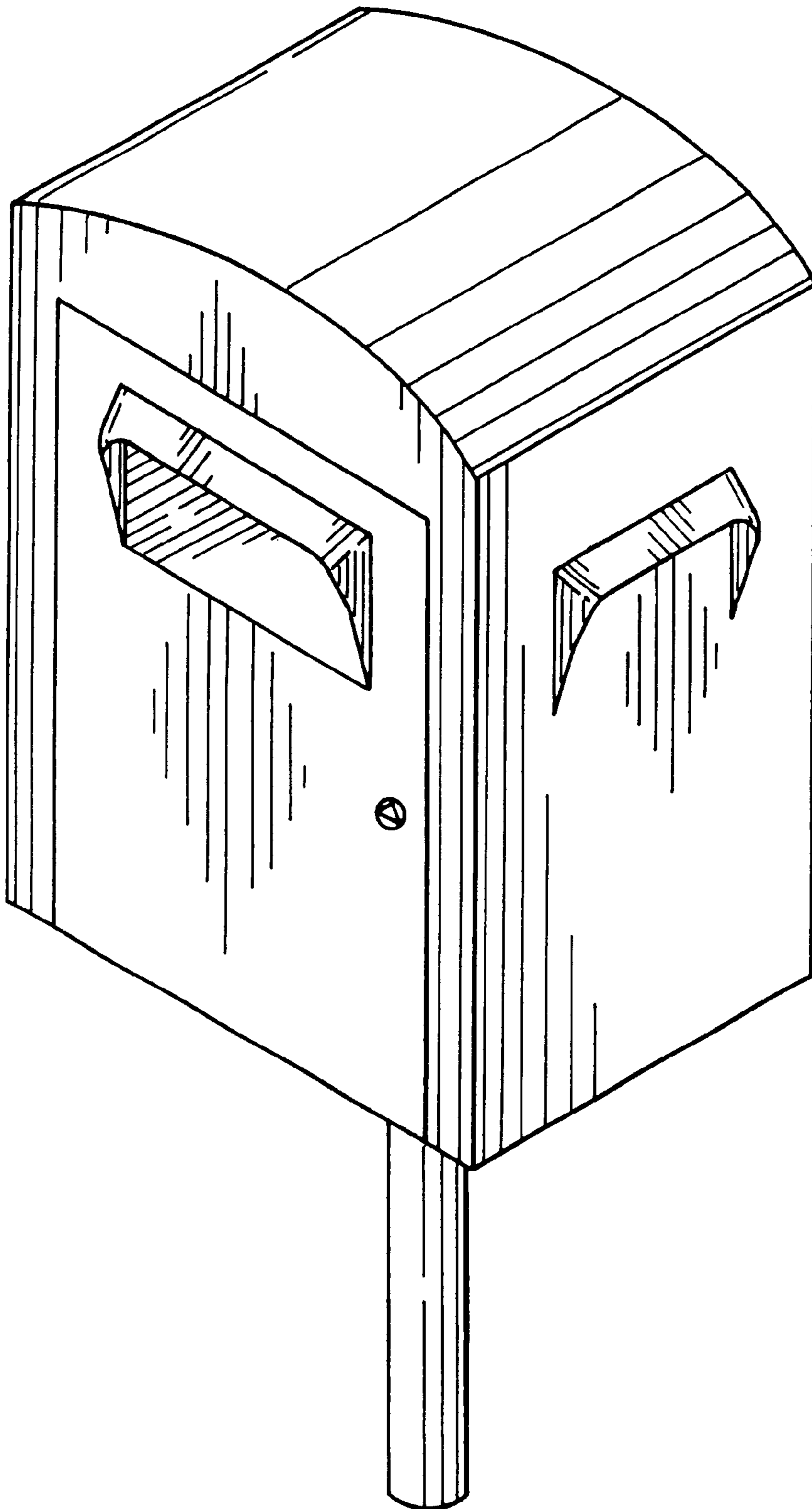


FIG. 1



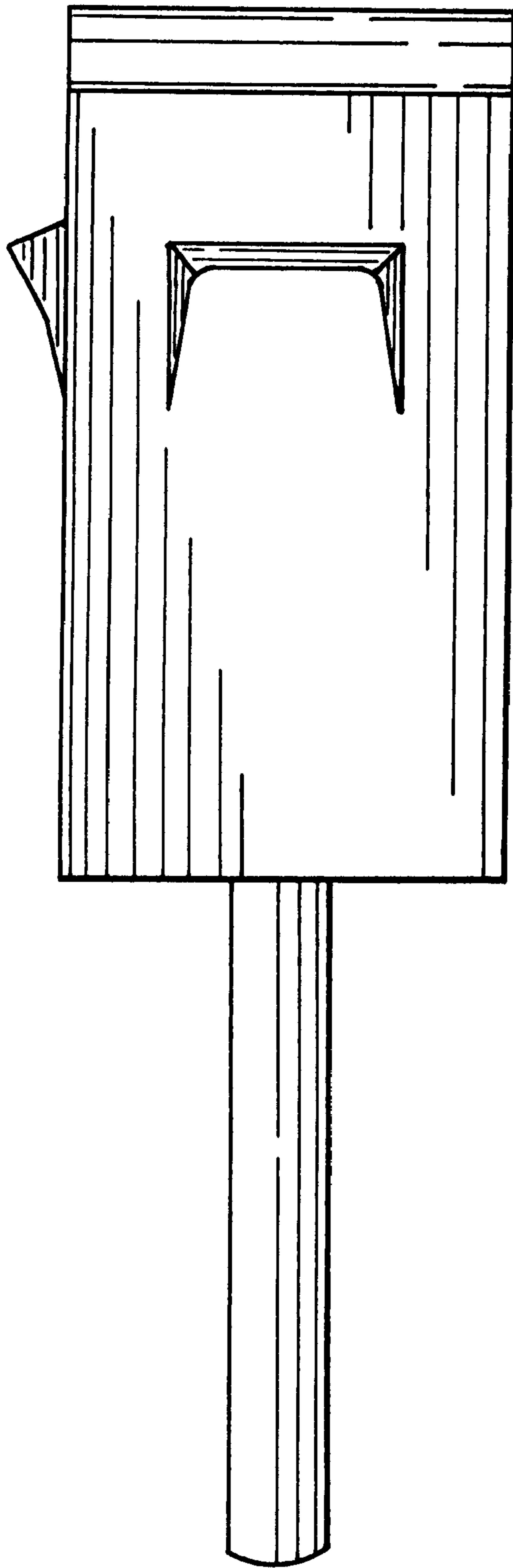


FIG.2

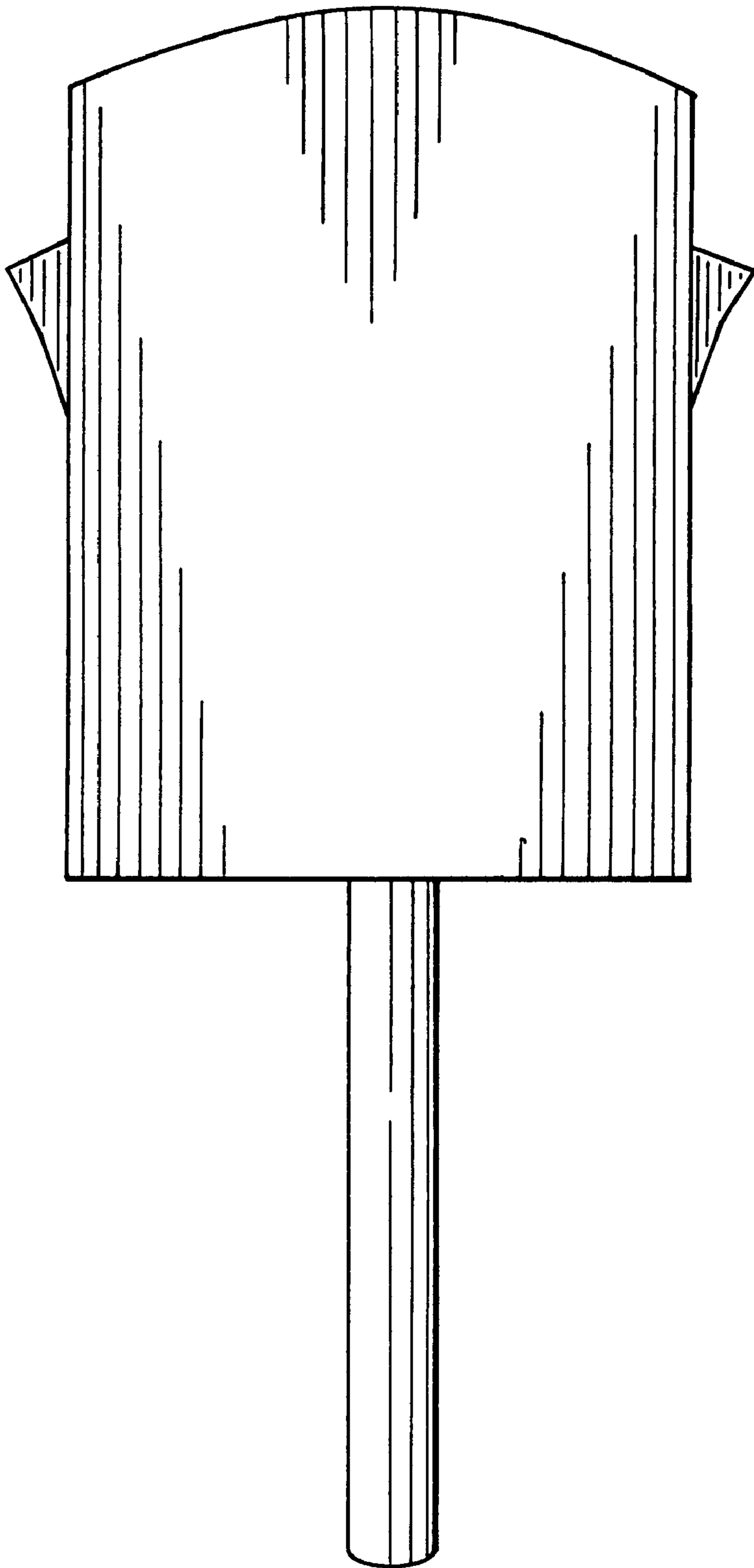


FIG.3