



US00D455866S

(12) **United States Design Patent**  
**Baltierra**

(10) **Patent No.:** **US D455,866 S**

(45) **Date of Patent:** **\*\* Apr. 16, 2002**

(54) **ARTIFICIAL NAIL TIP HAVING TAIL-LIKE EXTENSION**

(76) Inventor: **Julie Baltierra**, 14510 N. Creek Dr.,  
No. 1514, Millcreek, WA (US) 98012

(\*\*) Term: **14 Years**

(21) Appl. No.: **29/137,872**

(22) Filed: **Mar. 1, 2001**

(51) **LOC (7) Cl.** ..... **28-03**

(52) **U.S. Cl.** ..... **D28/56**

(58) **Field of Search** ..... D28/4, 56, 57,  
D28/61; 132/73, 73.5, 75, 285; 2/21; 428/15

(56) **References Cited**

**U.S. PATENT DOCUMENTS**

3,487,831	A	*	1/1970	Jaume et al.	.....	128/846
4,346,720	A	*	8/1982	Hokama	.....	132/73
D292,624	S	*	11/1987	Otake	.....	D28/56
D321,954	S	*	11/1991	Aylott	.....	D28/57
5,467,787	A	*	11/1995	Mast et al.	.....	132/73
D365,175	S	*	12/1995	La Joie	.....	D28/56
D384,440	S	*	9/1997	Meyerovich	.....	D28/56
5,676,165	A	*	10/1997	Bannett	.....	132/73
5,806,537	A	*	9/1998	Wittwer	.....	132/200

**OTHER PUBLICATIONS**

Modern Salon Jan. 1987, p. 89: artificial nails indicated by arrows.\*

\* cited by examiner

*Primary Examiner*—Ted Shooman

*Assistant Examiner*—C Tuttle

(74) *Attorney, Agent, or Firm*—Leonard Tachner

(57) **CLAIM**

The ornamental design for an artificial nail tip having tail-like extension, as shown and described.

**DESCRIPTION**

FIG. 1 is a three-dimensional view of the present invention;

FIG. 2 is a top view of the present invention;

FIG. 3 is a front end view of the present invention;

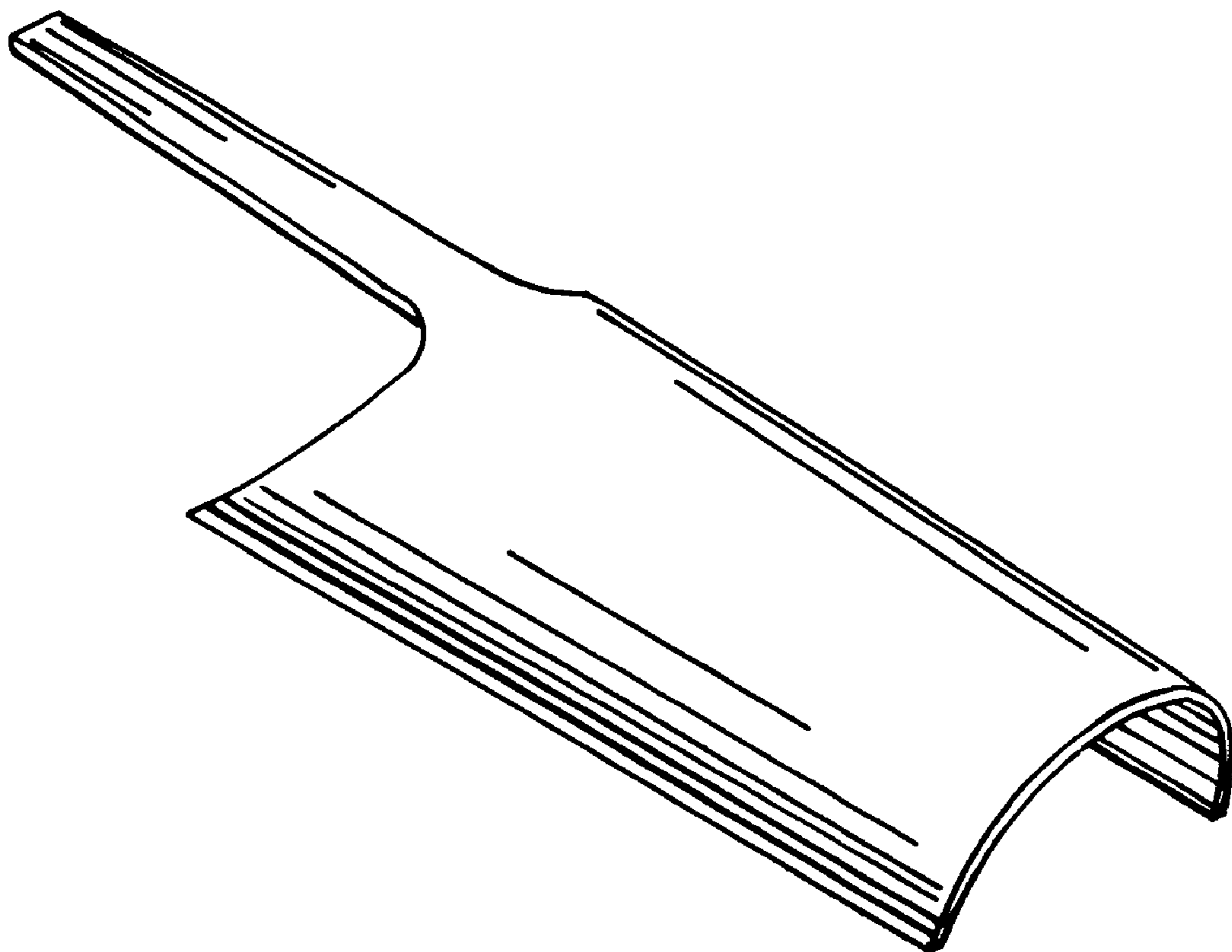
FIG. 4 is a cross sectional view taken along line 4—4 of FIG. 1; and,

FIG. 5 is a top view of the present invention showing the nail tip being installed on a human nail.

The broken line showing of the finger is for illustrative purposes only and forms no part of the claimed design.

The broken line showing of the finger is for illustrative purposes only and forms no part of the claimed design.

**1 Claim, 1 Drawing Sheet**



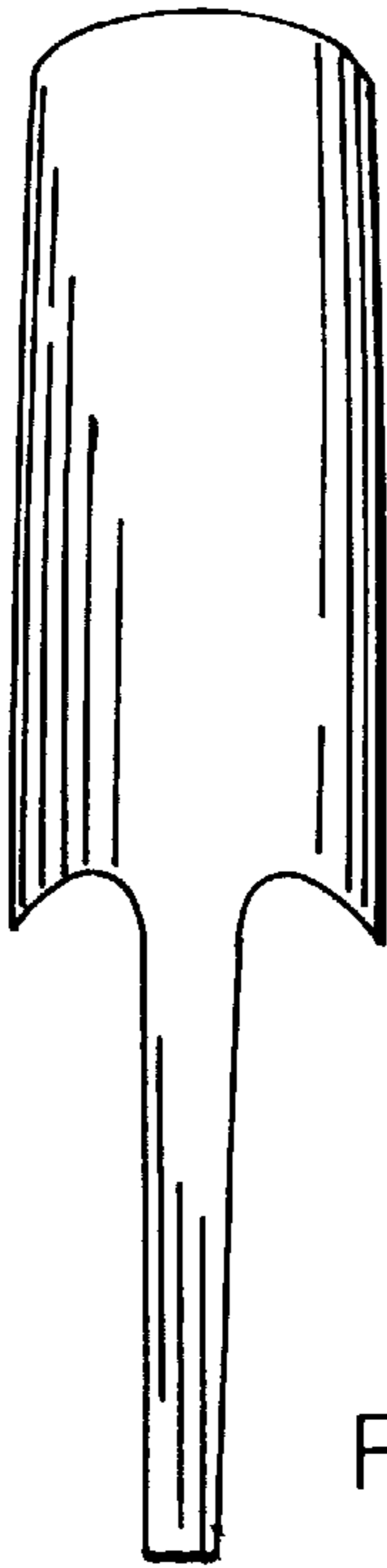


FIG. 2

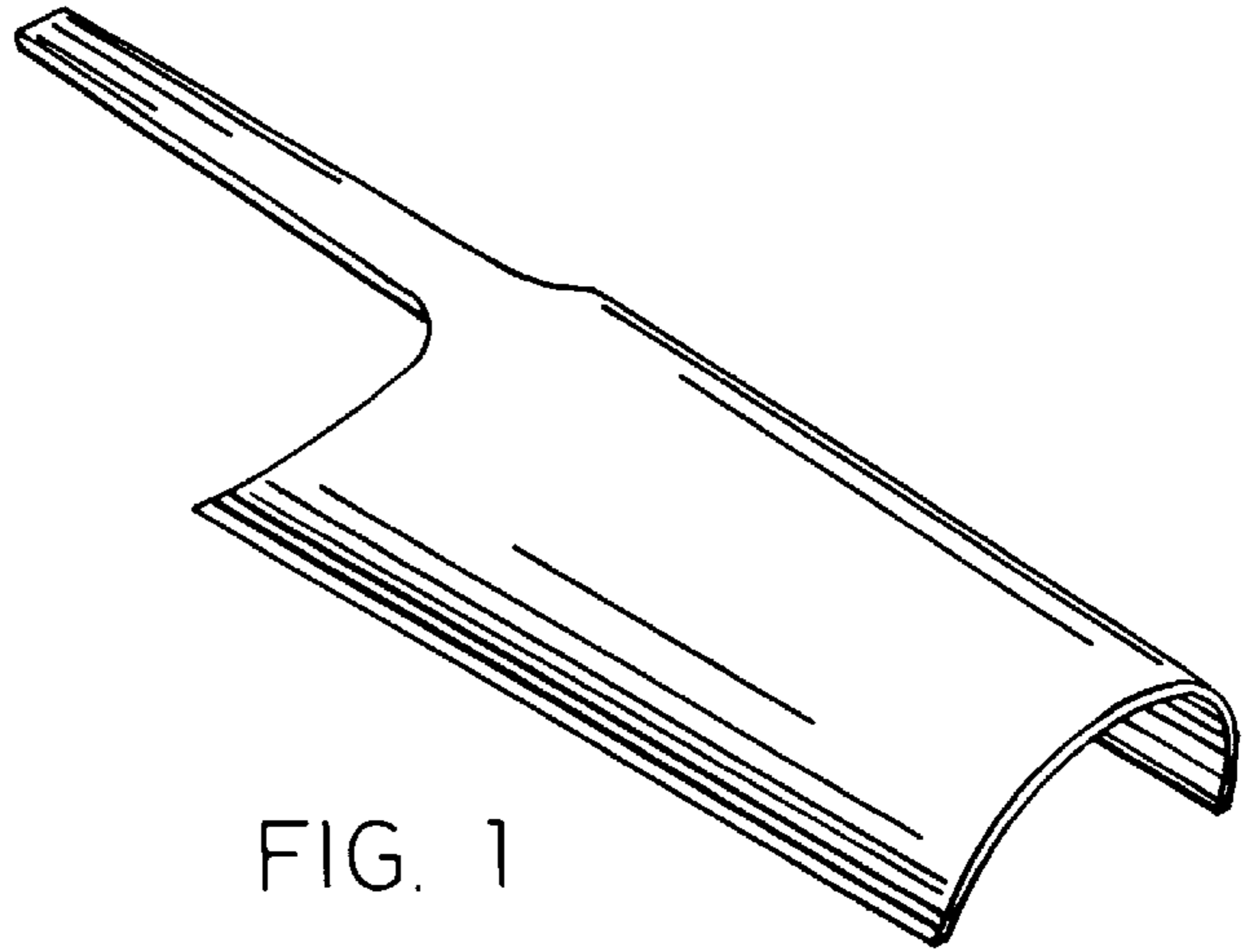


FIG. 1



FIG. 3

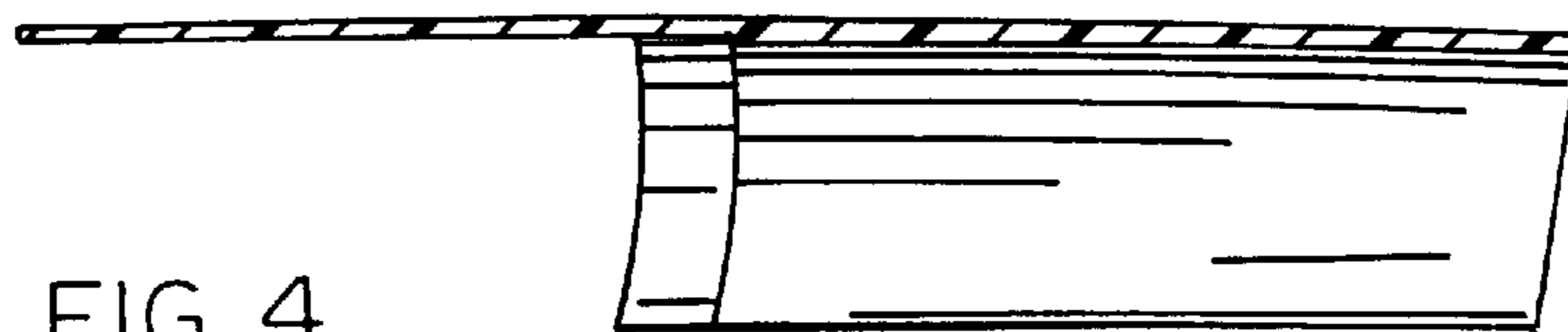


FIG. 4

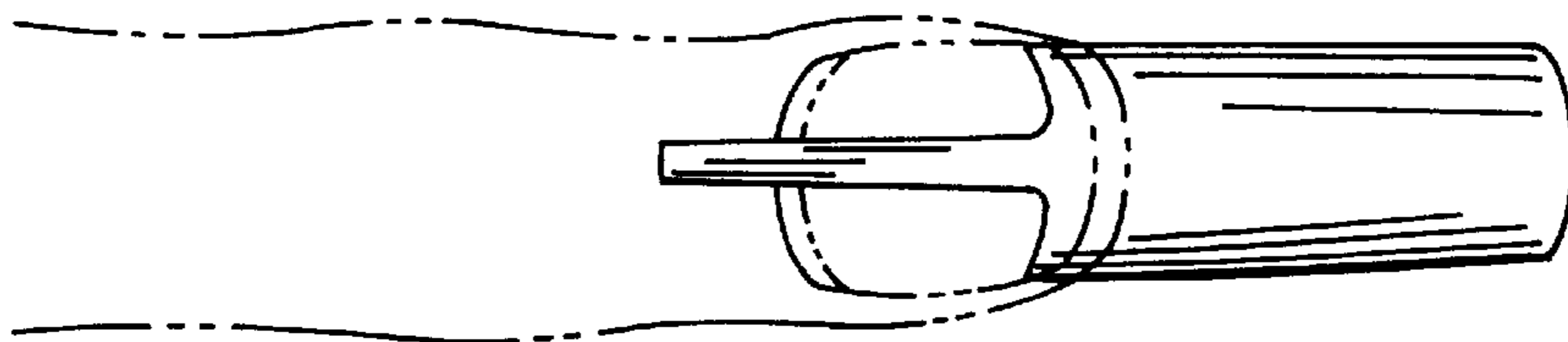


FIG. 5