



US00D455865S

(12) **United States Design Patent**  
**Rizzuto, Jr. et al.**

(10) **Patent No.: US D455,865 S**

(45) **Date of Patent: \*\* Apr. 16, 2002**

(54) **HAIR CLIPPER**

(75) Inventors: **Leandro P. Rizzuto, Jr.**, Sheridan, WY  
(US); **Kam Fai Fung; Brenda P. K. Yue**, both of Hong Kong (CN)

(73) Assignee: **Conair Corporation**, Stamford, CT  
(US)

(\*\*) Term: **14 Years**

(21) Appl. No.: **29/140,240**

(22) Filed: **Apr. 13, 2001**

(51) **LOC (7) Cl.** ..... **28-03**

(52) **U.S. Cl.** ..... **D28/53**

(58) **Field of Search** ..... D28/49-54; 30/34.05,  
30/34.1, 34.2, 42, 43, 43.1-43.9, 43.91,  
43.92, 44, 45, 195-223

(56) **References Cited**

**U.S. PATENT DOCUMENTS**

- D111,574 S \* 10/1938 Scharfenberg ..... D28/51
- 2,484,610 A 10/1949 Cromonic ..... 30/223
- 3,659,180 A 4/1972 Urbush ..... 320/25
- 3,967,372 A 7/1976 Beck et al. .... 30/34.1
- 3,986,258 A 10/1976 Liedtke ..... 30/30
- 4,776,095 A 10/1988 Tsujimoto et al. .... 30/201
- D305,074 S \* 12/1989 Mockovak ..... D28/53
- D307,193 S \* 4/1990 Nikolaus ..... D28/53
- 5,050,305 A 9/1991 Baker et al. .... 30/201
- 5,165,172 A 11/1992 Weinrauch ..... 30/199
- 5,386,634 A 2/1995 Ogle et al. .... 30/208
- D356,185 S \* 3/1995 Rizzuto, Jr. .... D28/53
- D362,517 S \* 9/1995 Pirmayer ..... D28/49
- 5,579,581 A 12/1996 Melton ..... 30/223
- 5,606,799 A 3/1997 Melton ..... 30/216
- 5,699,616 A 12/1997 Ogawa ..... 30/201
- 5,970,616 A 10/1999 Wahl et al. .... 30/216
- D417,931 S \* 12/1999 Lebherz ..... D28/53

- D422,118 S \* 3/2000 Kitagawa, et al. .... D28/51
- 6,112,414 A \* 9/2000 Andis et al. .... 30/231
- D432,265 S 10/2000 Kling et al. .... D28/53
- D435,694 S \* 12/2000 Lebherz ..... D28/53
- D436,229 S \* 1/2001 Eguchi et al. .... D28/53

**FOREIGN PATENT DOCUMENTS**

- EP 198 59 017 2/2000
- JP 405200172 A \* 8/1993
- WO WO 00/37225 6/2000
- WO WO 00/37226 6/2000

**OTHER PUBLICATIONS**

Hong Kong Enterprise Jun. 1996, p. 647: item No. HT-268.\*

\* cited by examiner

*Primary Examiner*—Ted Shooman

*Assistant Examiner*—C Tuttle

(74) *Attorney, Agent, or Firm*—Ohlandt, Greeley, Ruggiero, & Perle, LLP

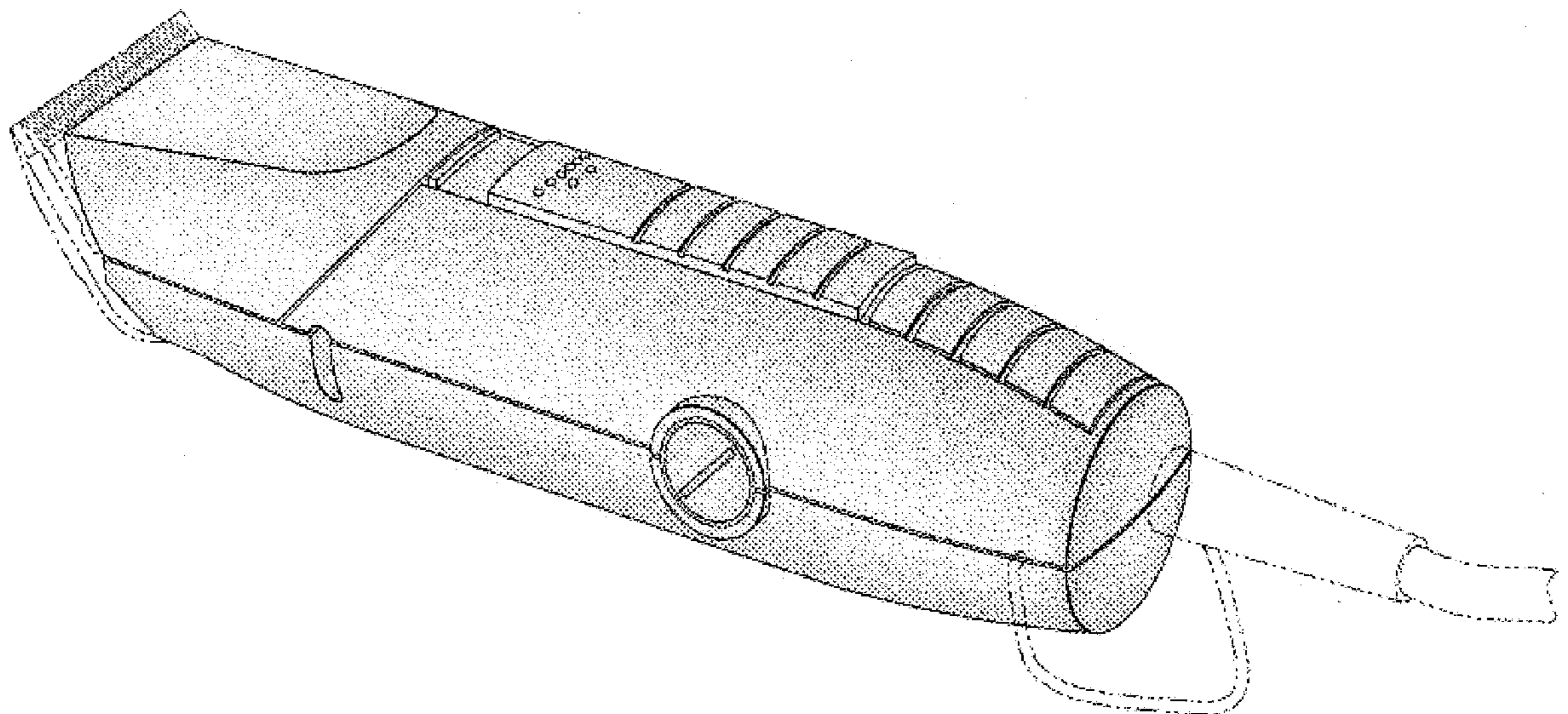
(57) **CLAIM**

The ornamental design for the hair clipper, as shown and described in the accompanying figures.

**DESCRIPTION**

FIG. 1 is a perspective view of a hair clipper according to the present invention;  
FIG. 2 is a top plan view of the hair clipper of FIG. 1;  
FIG. 3 is a bottom plan view, of the hair clipper of FIG. 1;  
FIG. 4 is a side view of the hair clipper of FIG. 1;  
FIG. 5 is a left end view of the hair clipper of FIG. 1; and,  
FIG. 6 is a right end view of the hair clipper of FIG. 1.  
The structures shown in broken lines in FIG. 1 are for illustrative purposes only and form no part of the claimed design.

**1 Claim, 3 Drawing Sheets**



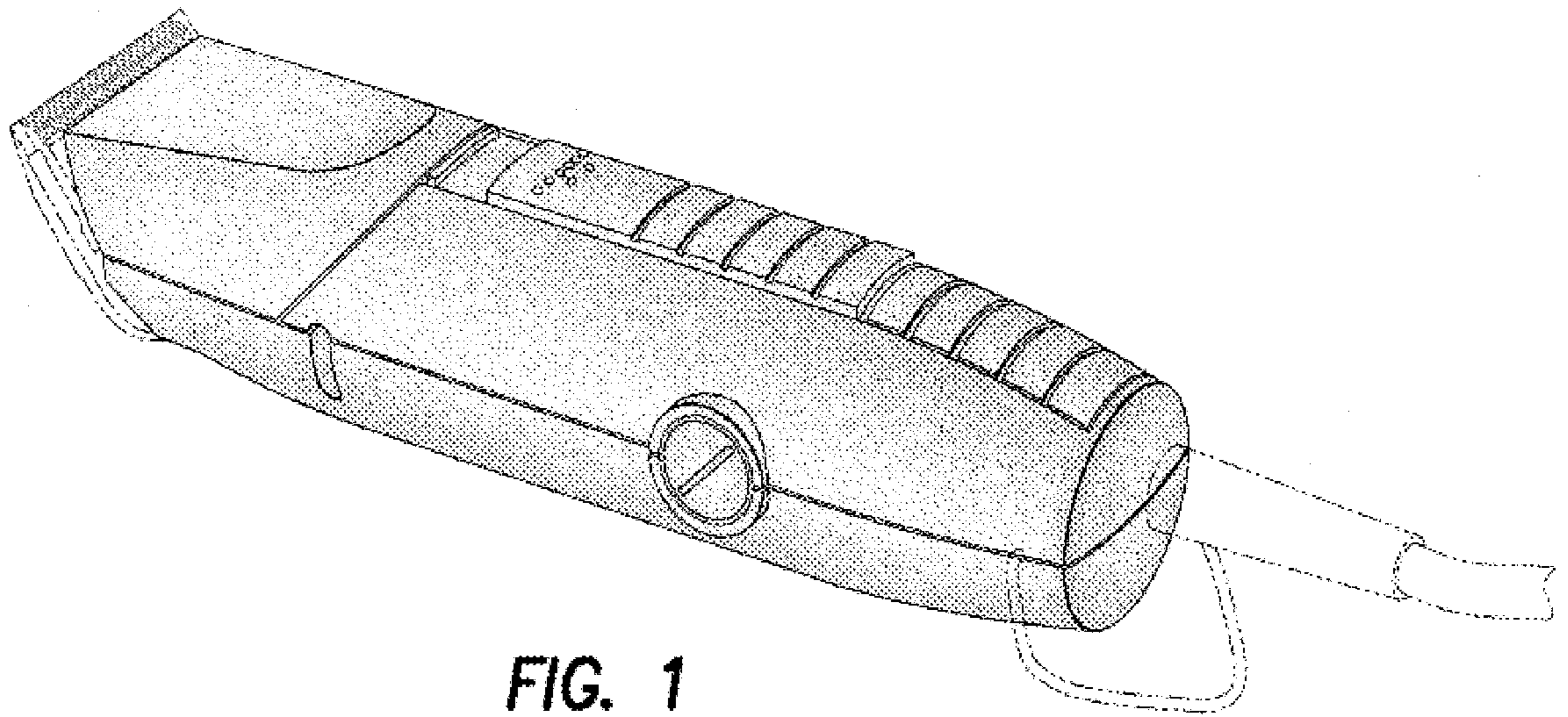
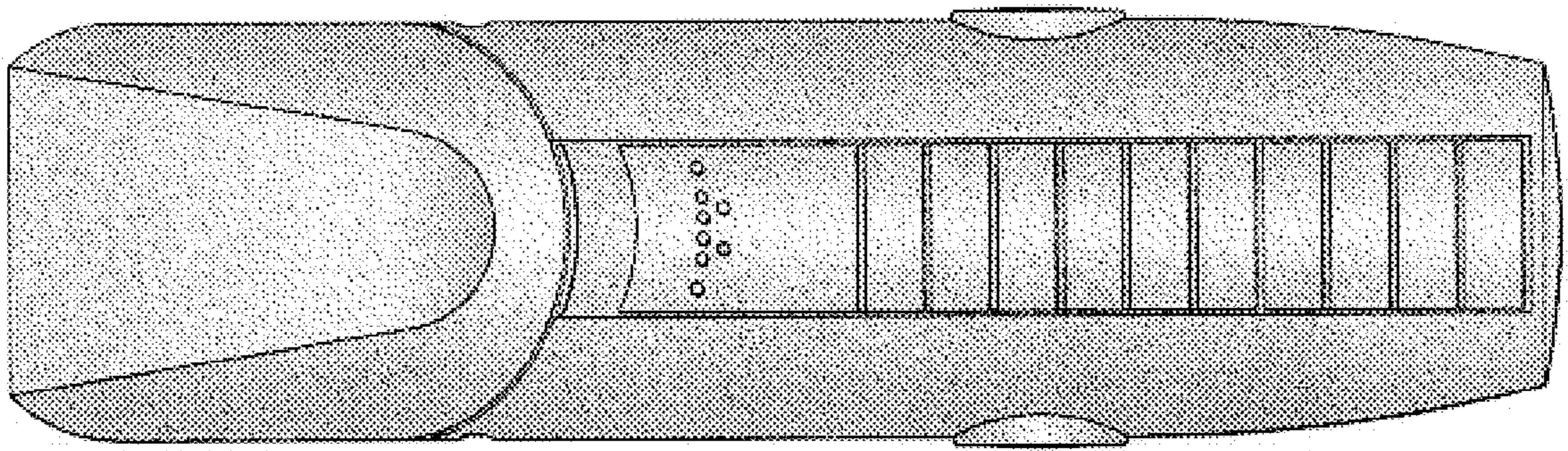
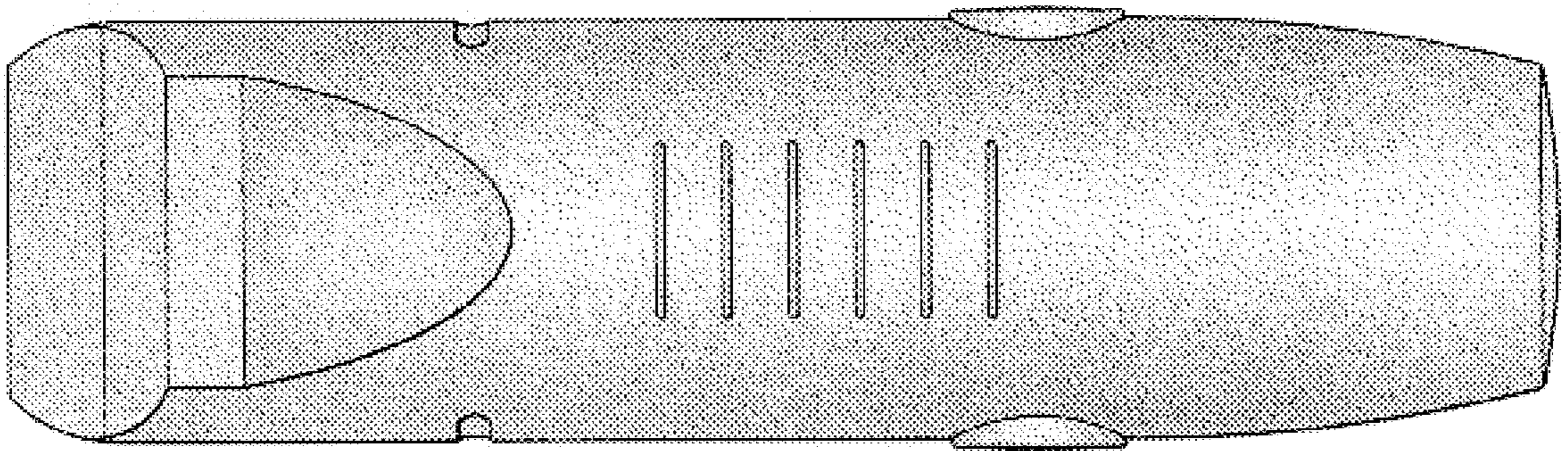


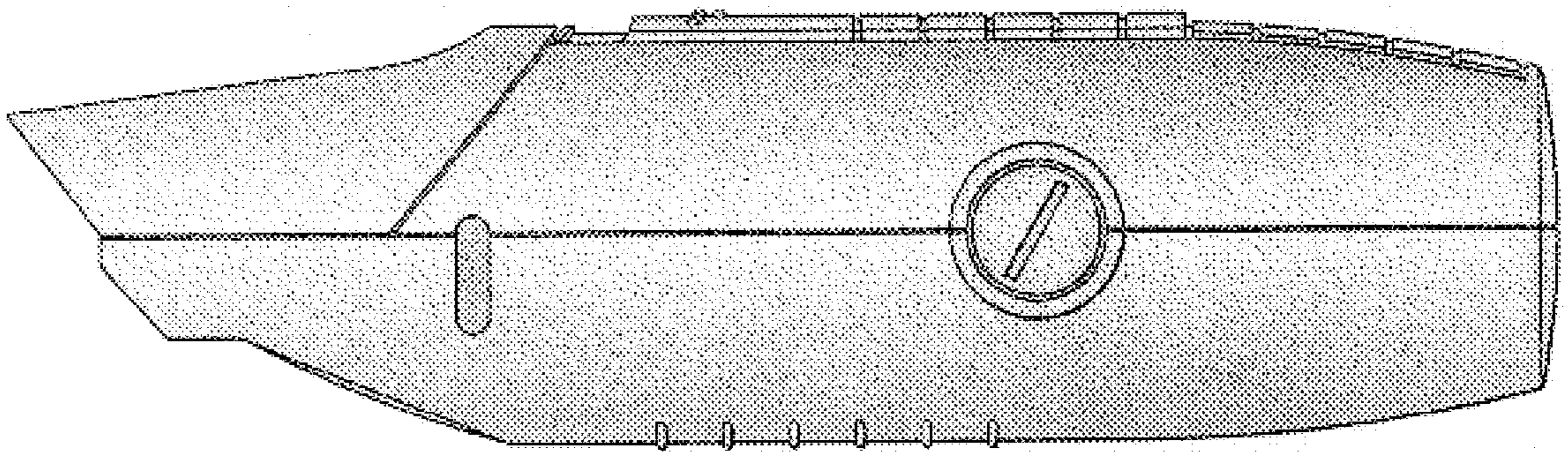
FIG. 1



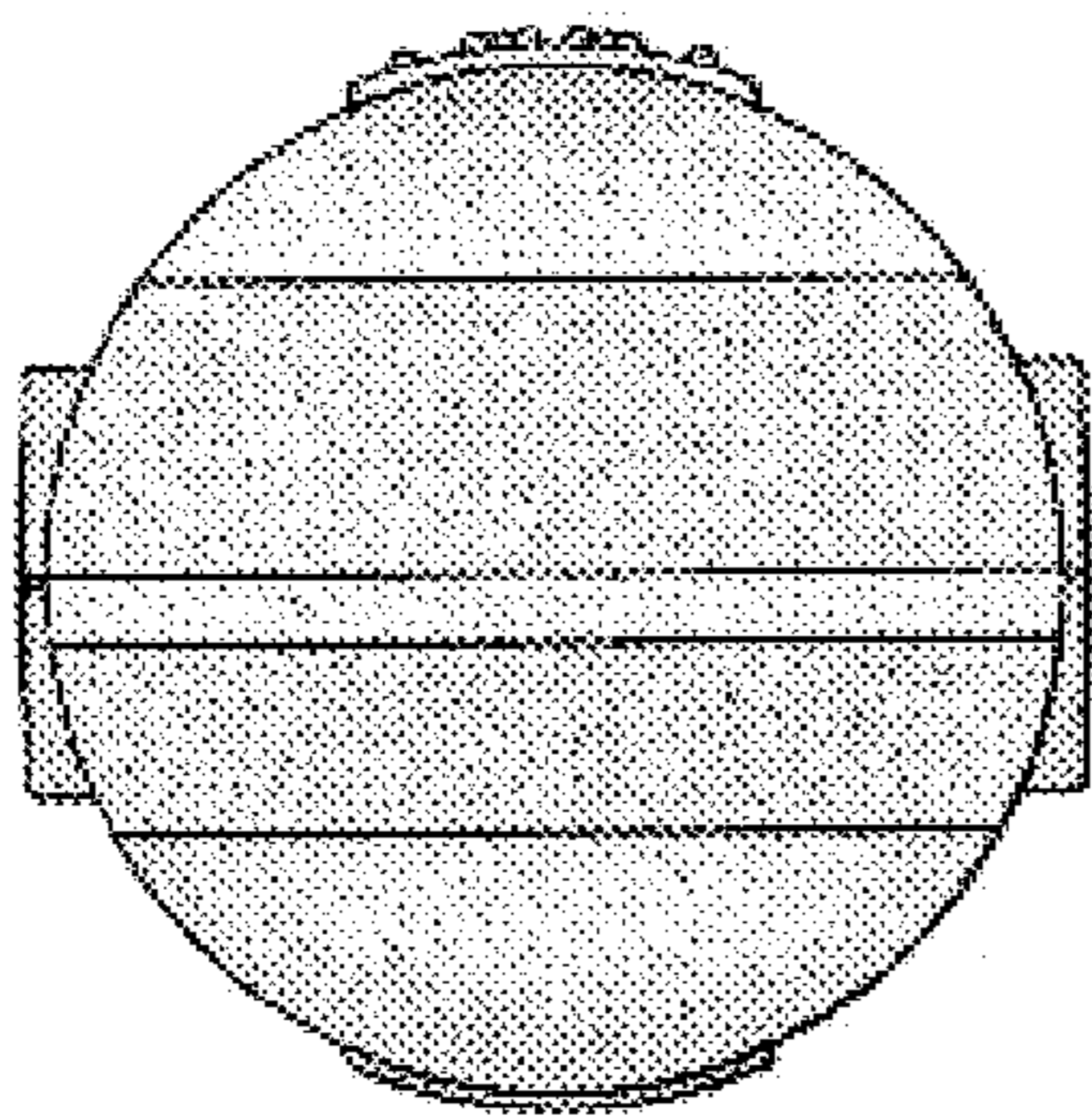
**FIG. 2**



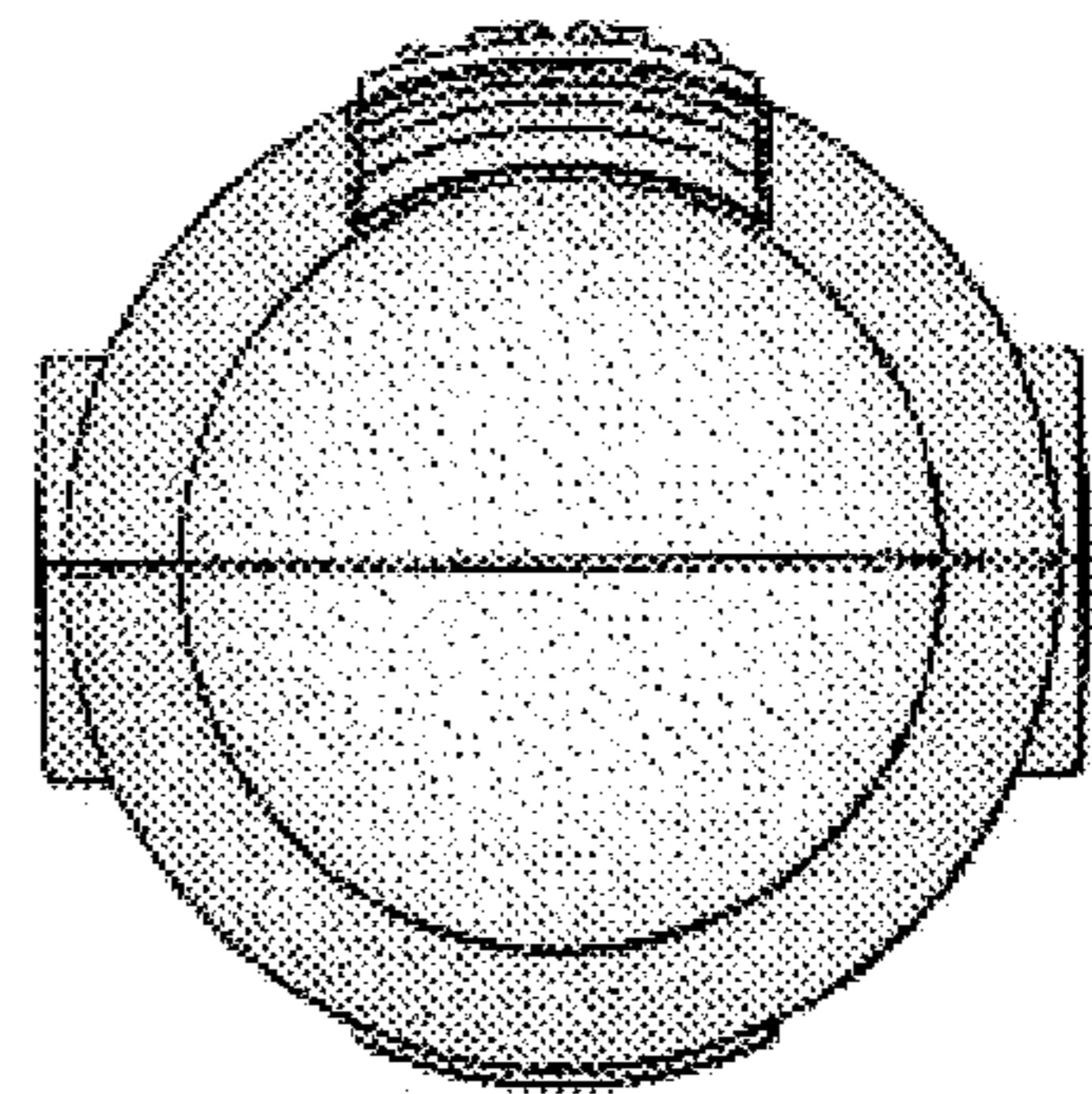
**FIG. 3**



**FIG. 4**



**FIG. 5**



**FIG. 6**