



US00D455857S

(12) **United States Design Patent**
Angeletta

(10) **Patent No.:** **US D455,857 S**

(45) **Date of Patent:** **** Apr. 16, 2002**

(54) **LIQUID AND LOTION APPLICATOR**

(76) **Inventor:** **Joseph G. Angeletta**, 418 Fifth St.,
Mamaroneck, NY (US) 10543

(**) **Term:** **14 Years**

(21) **Appl. No.:** **29/138,925**

(22) **Filed:** **Mar. 21, 2001**

(51) **LOC (7) Cl.** **28-02**

(52) **U.S. Cl.** **D28/7**

(58) **Field of Search** D28/7, 63; D9/338,
D9/309; D24/119; D4/114, 127, 137, 138,
124, 125; D32/40, 43, 45, 51; 132/320;
15/104.94, 244.1, 244.2; 401/138, 139,
196, 198, 202-207, 263-266, 268, 270-275

(56) **References Cited**

U.S. PATENT DOCUMENTS

| | | | | | |
|-------------|---|---------|------------------|-------|---------|
| D214,387 S | * | 6/1969 | Holt, Jr. | | D4/114 |
| D322,751 S | * | 12/1991 | Larsen | | D9/309 |
| 5,322,382 A | * | 6/1994 | Hull et al. | | 401/202 |
| D357,810 S | * | 5/1995 | Evans | | D4/114 |
| 5,454,659 A | * | 10/1995 | Vosbikian et al. | | 401/207 |
| D384,436 S | * | 9/1997 | Kelley | | D28/7 |

| | | | | | |
|-------------|---|---------|--------------|-------|---------|
| 5,931,591 A | * | 8/1999 | McCracken | | 401/205 |
| D417,033 S | * | 11/1999 | Sachs et al. | | D28/7 |
| D434,525 S | * | 11/2000 | Angeleta | | D28/7 |
| D438,671 S | * | 3/2001 | Angeletta | | D28/7 |
| D445,954 S | * | 7/2001 | Angeletta | | D28/7 |

* cited by examiner

Primary Examiner—Lucy Lieberman

(74) *Attorney, Agent, or Firm*—Scully, Scott, Murphy & Presser

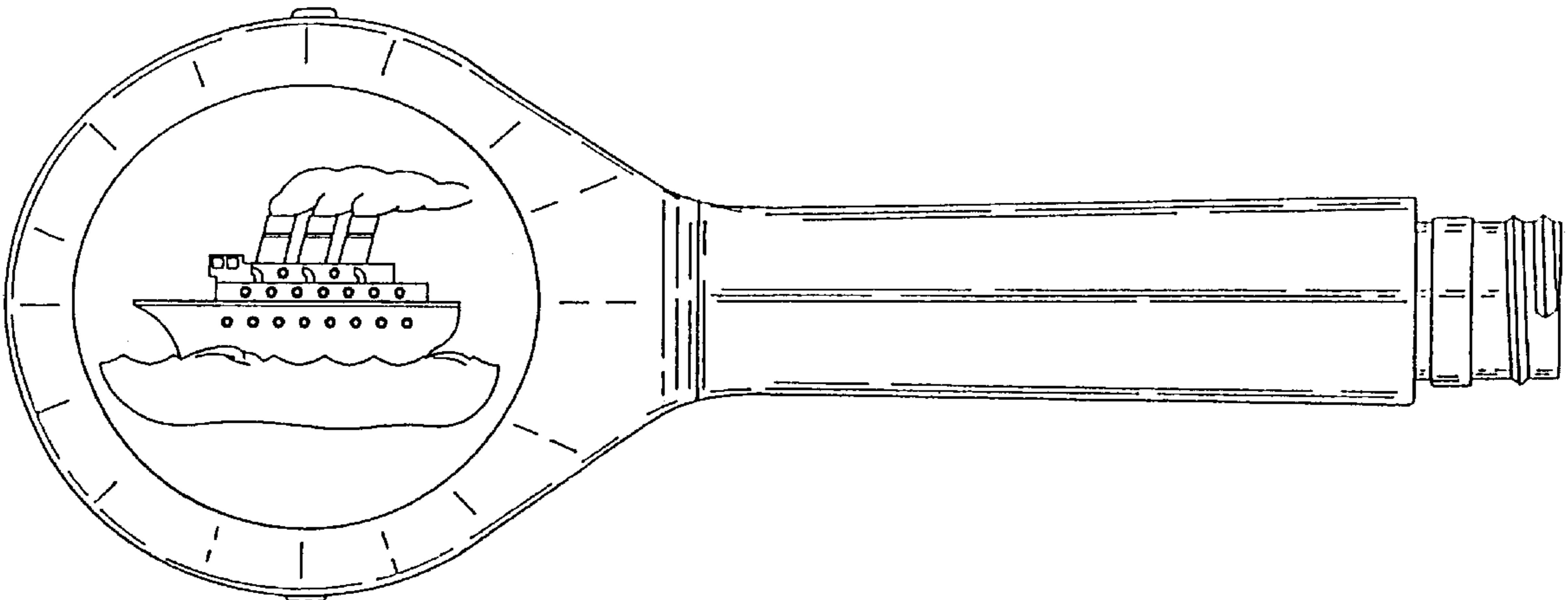
(57) **CLAIM**

The ornamental design for a liquid and lotion applicator, as shown and described.

DESCRIPTION

FIG. 1 is a top plan view of a liquid and lotion applicator showing my new design;
FIG. 2 is a side elevation of the liquid and lotion applicator, the opposite side elevation being a mirror image thereto except for the continuous screw threading on the neck and the raised portion of the surface ornamentation on the rear of the liquid and lotion applicator; and,
FIG. 3 is a bottom plan view.

1 Claim, 2 Drawing Sheets



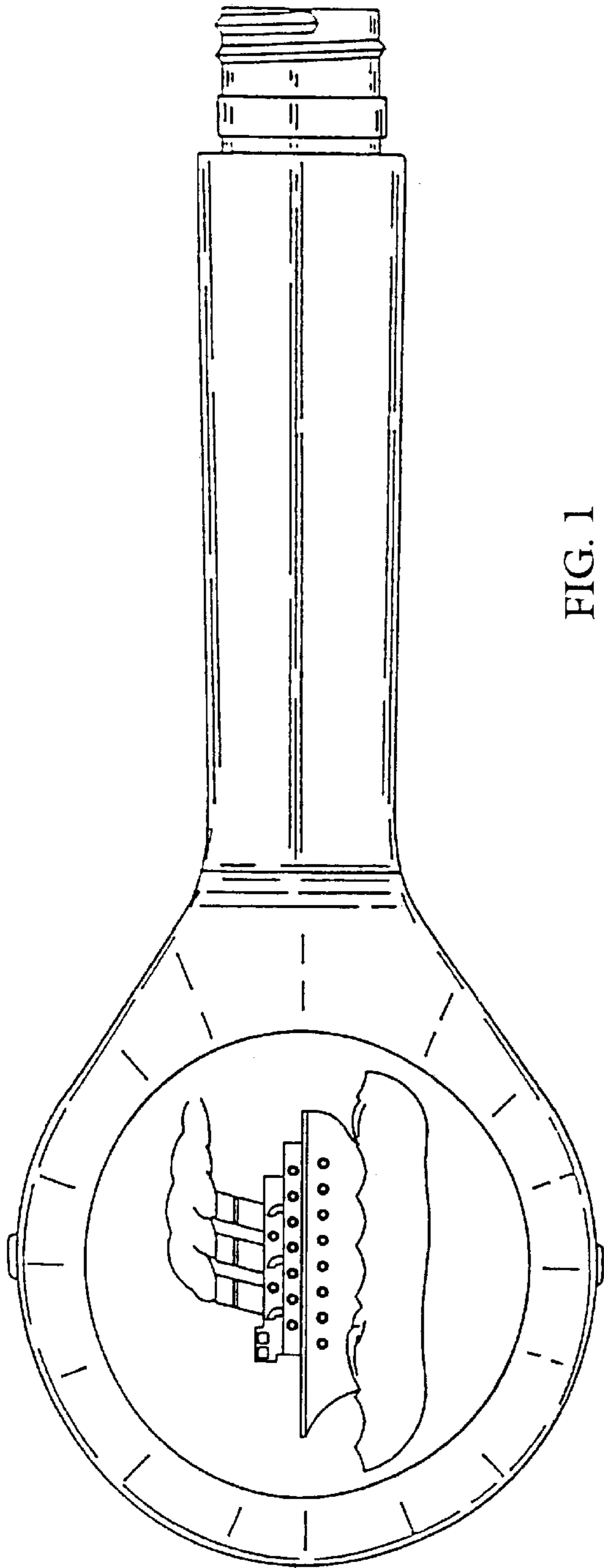


FIG. 1

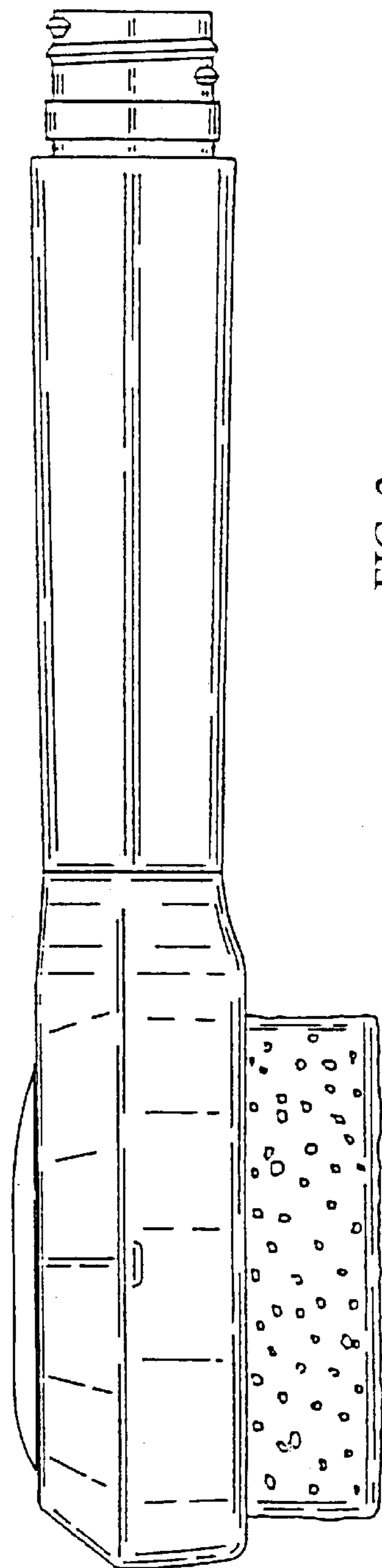


FIG. 2

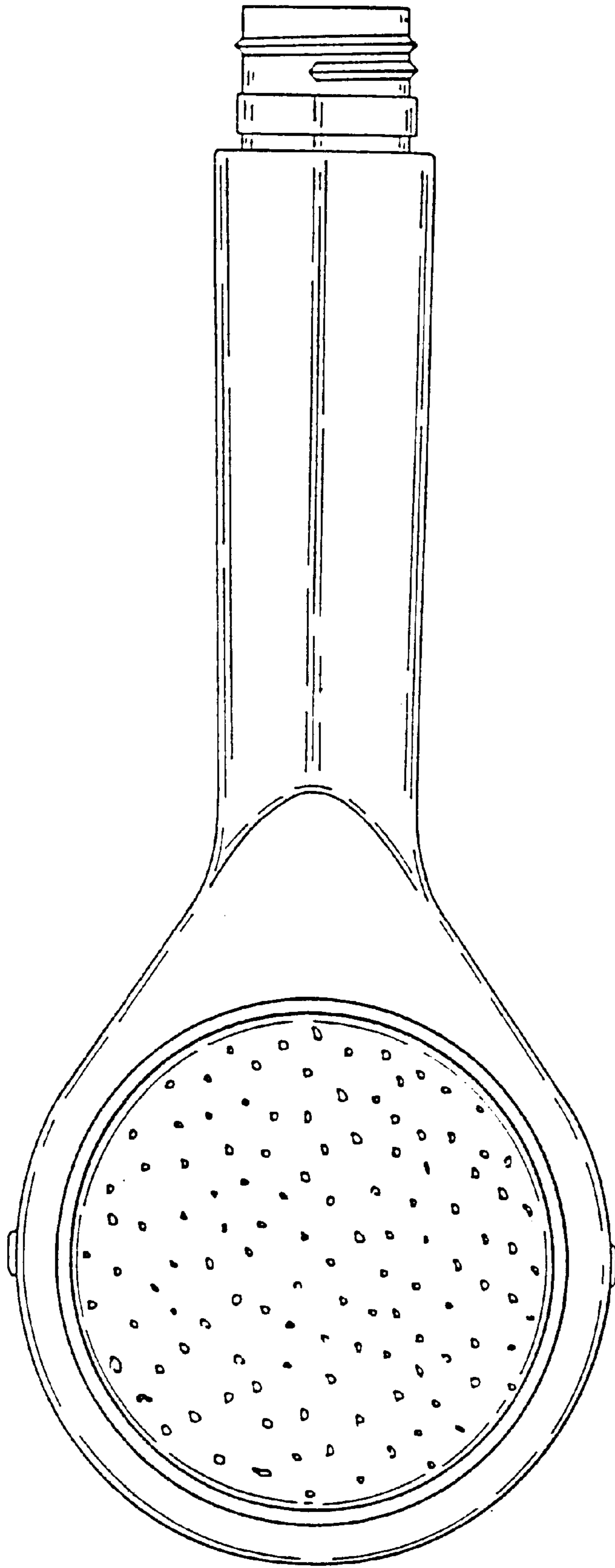


FIG. 3