



US00D455855S

(12) **United States Design Patent**
Emerson, Jr. et al.

(10) **Patent No.:** **US D455,855 S**

(45) **Date of Patent:** **** Apr. 16, 2002**

(54) **DESKTOP VIDEO PRODUCTION STUDIO**

(75) Inventors: **Jonathan D. Emerson, Jr.**, San Jose;
Richard S. Parenteau, Sunnyvale, both
of CA (US)

(73) Assignee: **gForce Systems, Inc.**, Cupertino, CA
(US)

(**) Term: **14 Years**

(21) Appl. No.: **29/129,587**

(22) Filed: **Sep. 16, 2000**

(51) **LOC (7) Cl.** **26-05**

(52) **U.S. Cl.** **D26/62**

(58) **Field of Search** D26/60-66; 362/267,
362/269, 281, 285, 478, 418, 419, 427,
404-414, 396, 253, 86, 148, 147, 341,
346, 217, 347

(56) **References Cited**

U.S. PATENT DOCUMENTS

4,159,871 A * 7/1979 Arnone 362/33

4,654,762 A * 3/1987 Larvarick 362/33 X
4,922,060 A * 5/1990 McJunkin 362/33 X
5,868,478 A * 2/1999 Polley et al. 362/33
6,168,292 B1 * 1/2001 Sherman 362/33 X

* cited by examiner

Primary Examiner—Susan J. Lucas

(74) *Attorney, Agent, or Firm*—Sawyer Law Group LLP

(57) **CLAIM**

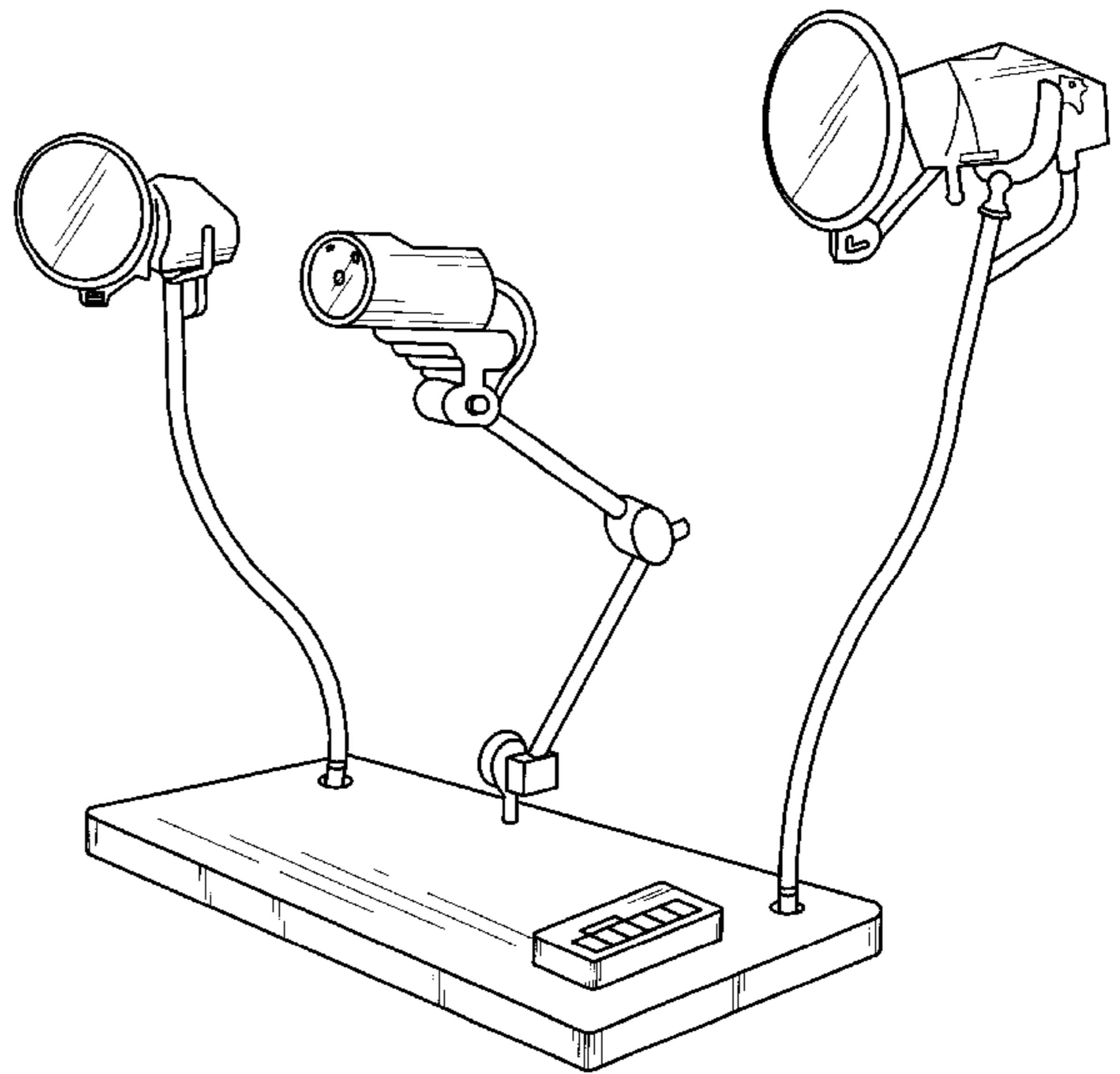
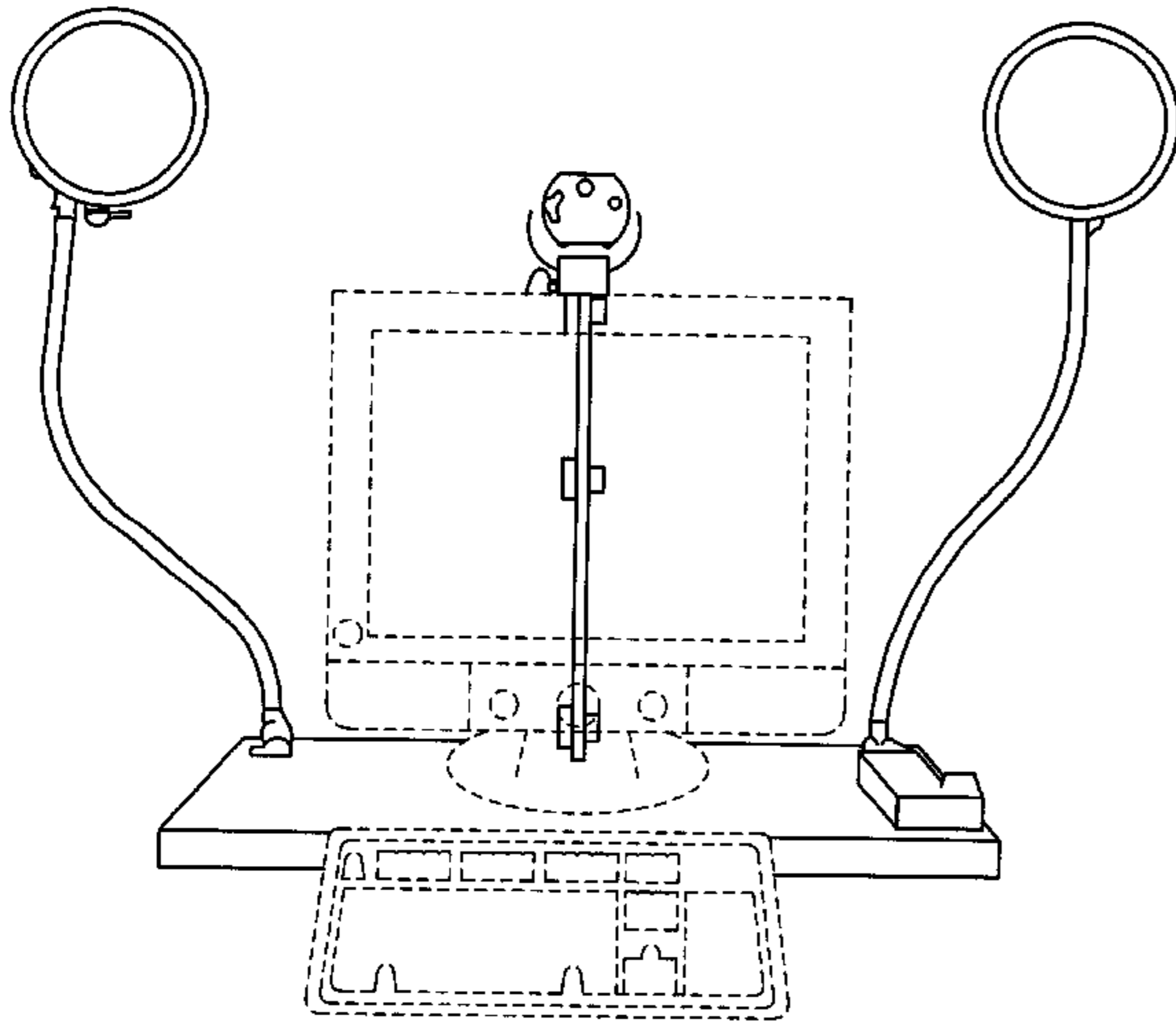
The ornamental design for a desktop video production studio, as shown and described.

DESCRIPTION

FIG. 1 is a a a front view of the desktop video production studio with a computer monitor and keyboard shown in broken lines; and,

FIG. 2 is a side perspective view thereof.

1 Claim, 2 Drawing Sheets



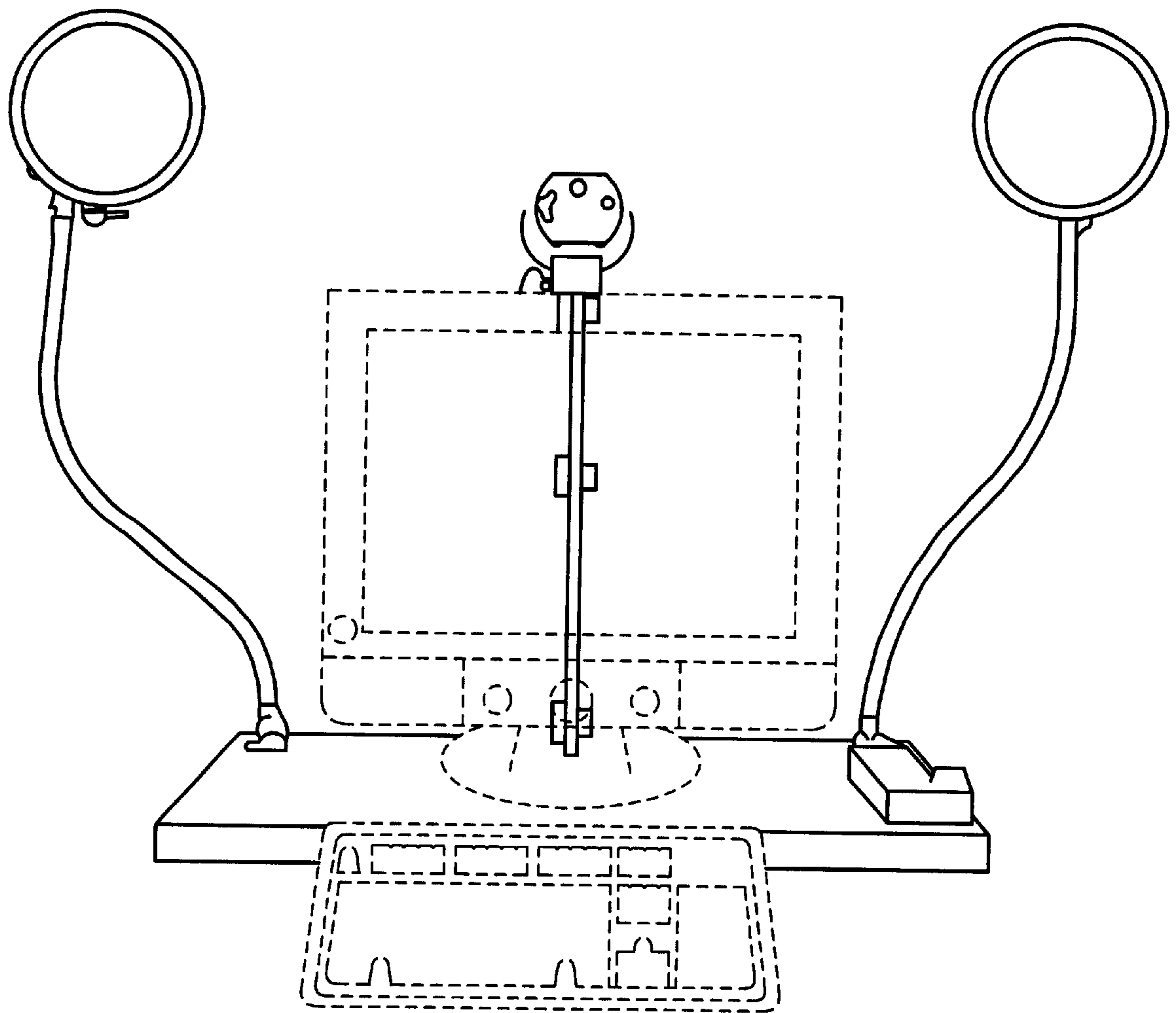


FIG. 1

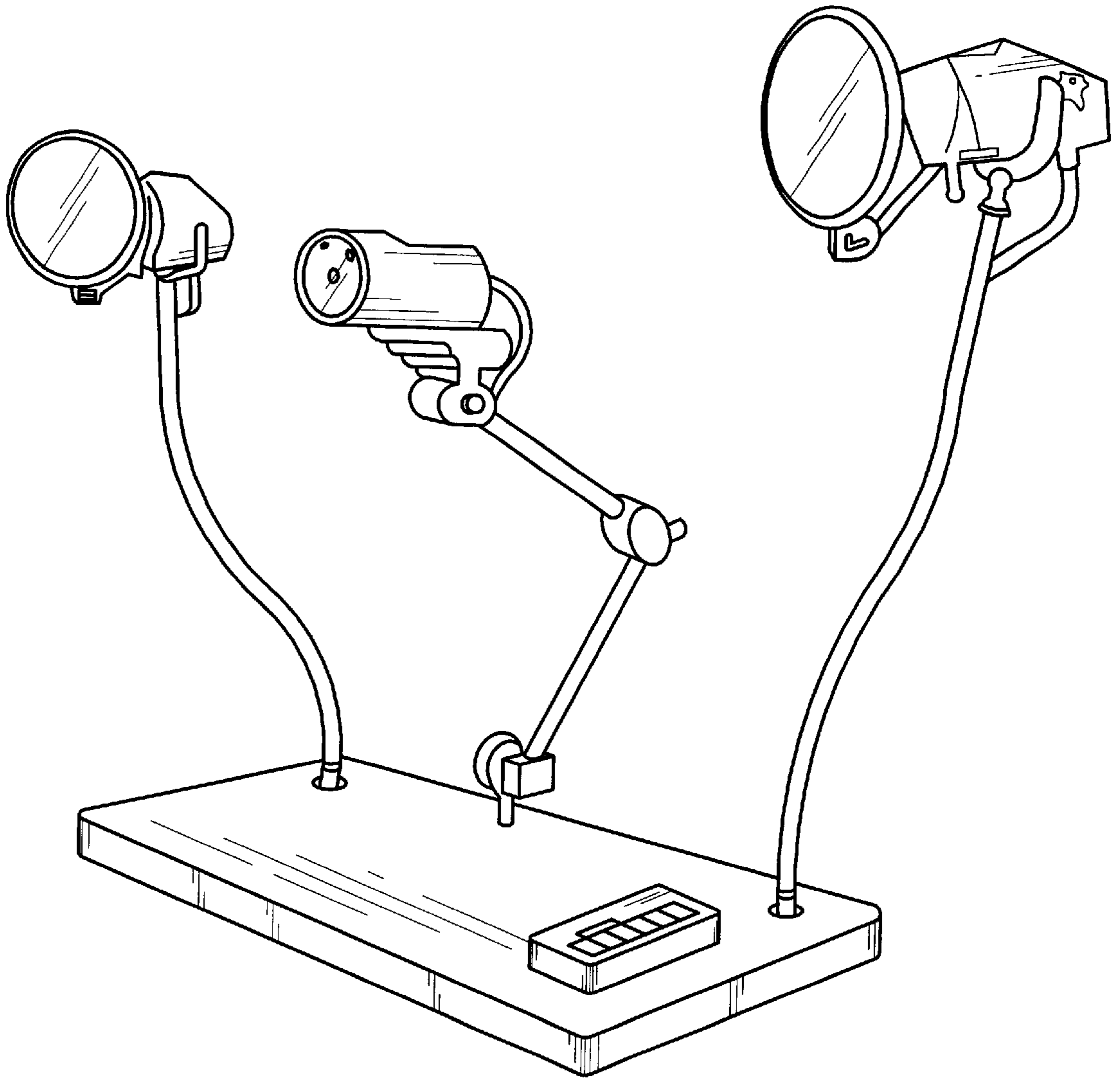


FIG. 2