



US00D455852S

(12) **United States Design Patent**
Sawabe et al.

(10) **Patent No.:** **US D455,852 S**
(45) **Date of Patent:** **** Apr. 16, 2002**

(54) **WINKER FOR A MOTORCYCLE**
(75) Inventors: **Akihiro Sawabe; Takashi Arai**, both of
Wako (JP)
(73) Assignee: **Honda Giken Kogyo Kabushiki**
Kaisha, Tokyo (JP)
(**) Term: **14 Years**
(21) Appl. No.: **29/137,889**
(22) Filed: **Mar. 2, 2001**

(30) **Foreign Application Priority Data**
Sep. 4, 2000 (JP) 2000-024634
(51) **LOC (7) Cl.** **26-04**
(52) **U.S. Cl.** **D26/28**
(58) **Field of Search** D26/28-36, 37-50;
362/157, 158, 183-208

(56) **References Cited**
U.S. PATENT DOCUMENTS
4,620,177 A * 10/1986 Hatanaka et al. 340/81 R

4,902,860 A * 2/1990 Maeda 200/61.27
5,402,103 A * 3/1995 Jashira 340/475
D425,641 S * 5/2000 Miller D26/38

* cited by examiner

Primary Examiner—Marcus A. Jackson
(74) *Attorney, Agent, or Firm*—Birch, Stewart, Kolasch &
Birch LLP

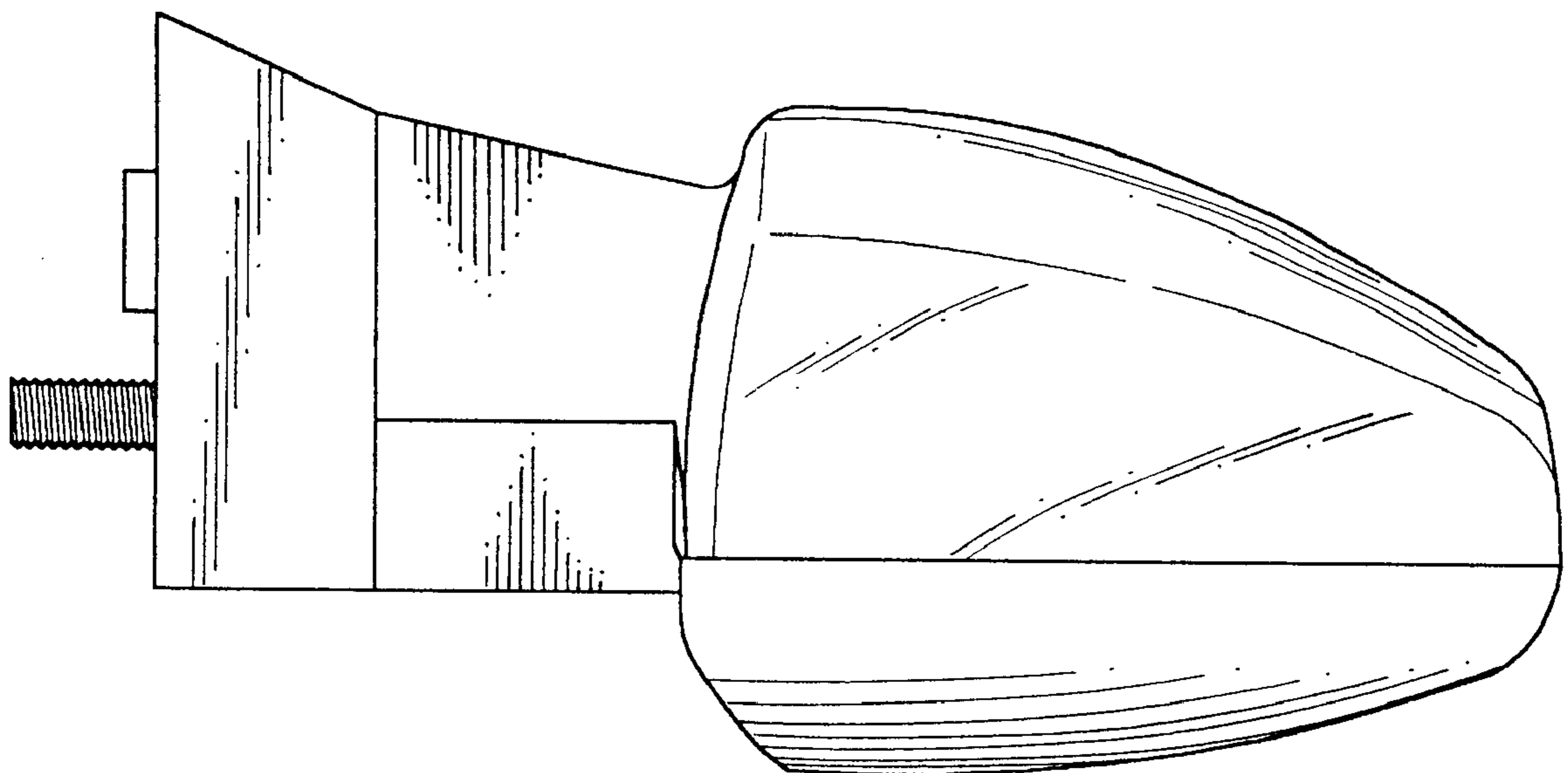
(57) **CLAIM**

The ornamental design for a winker for a motorcycle, as shown and described.

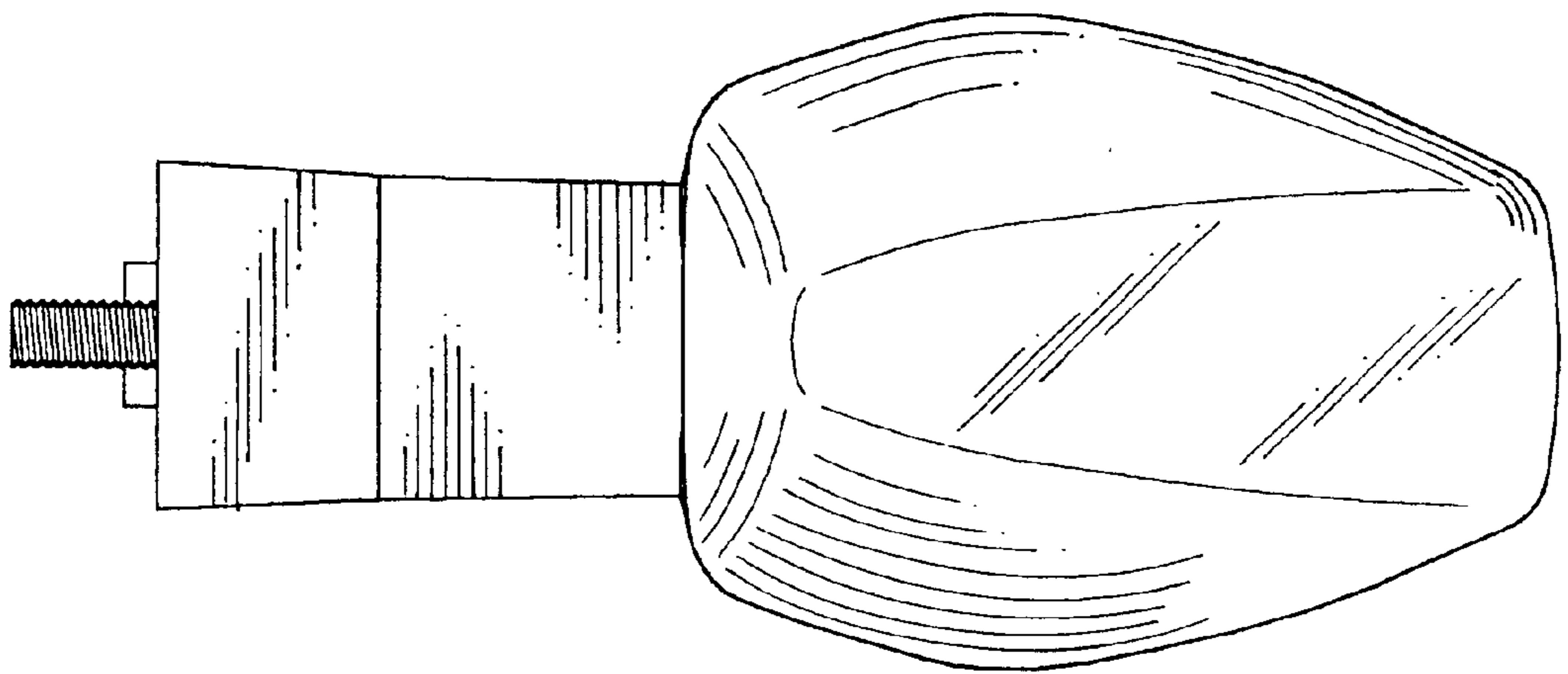
DESCRIPTION

FIG. 1 is a front elevational view of a winker for a motorcycle showing our new design;
FIG. 2 is a rear elevational view illustrating the present invention;
FIG. 3 is a right side elevational view thereof;
FIG. 4 is a left side elevational view thereof;
FIG. 5 is a top plan view thereof; and,
FIG. 6 is a bottom plan view thereof.

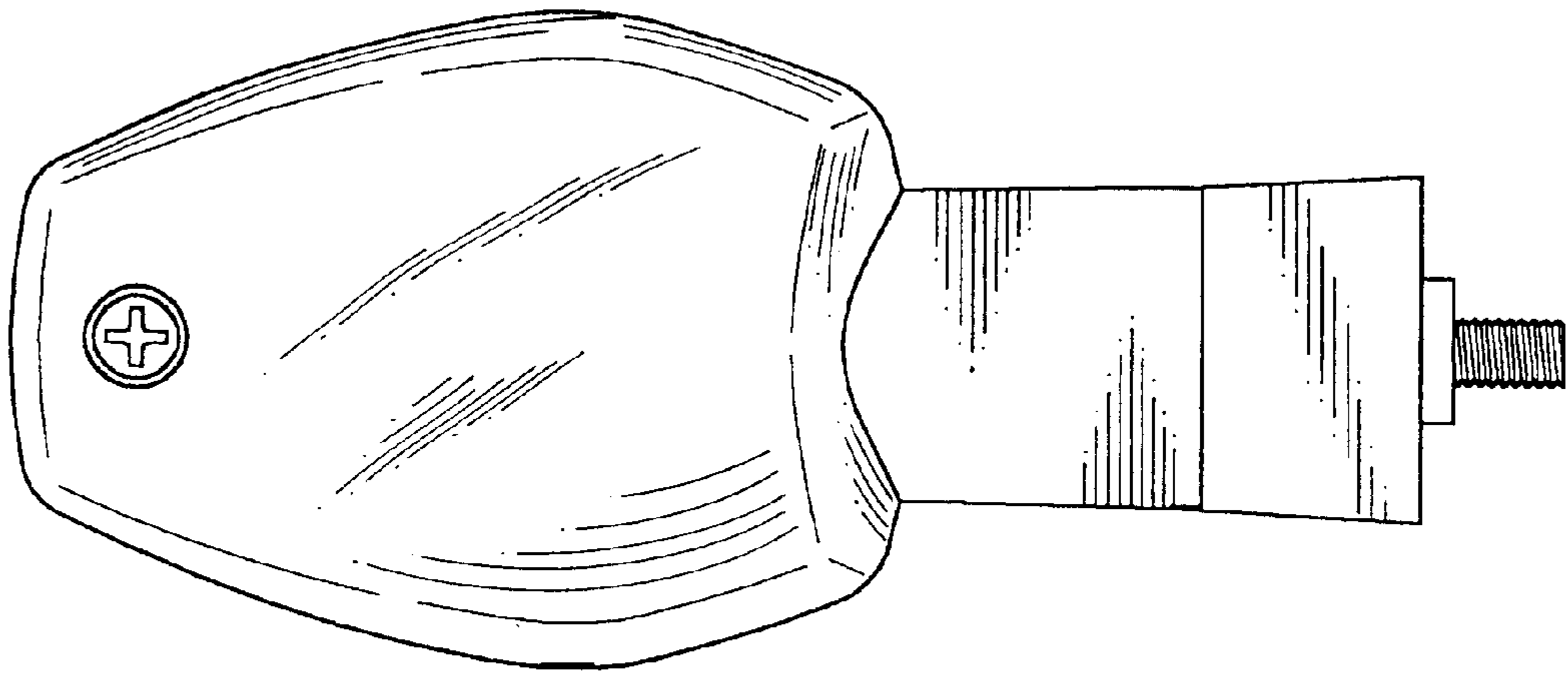
1 Claim, 6 Drawing Sheets



F i g . 1



F i g . 2



F i g . 3

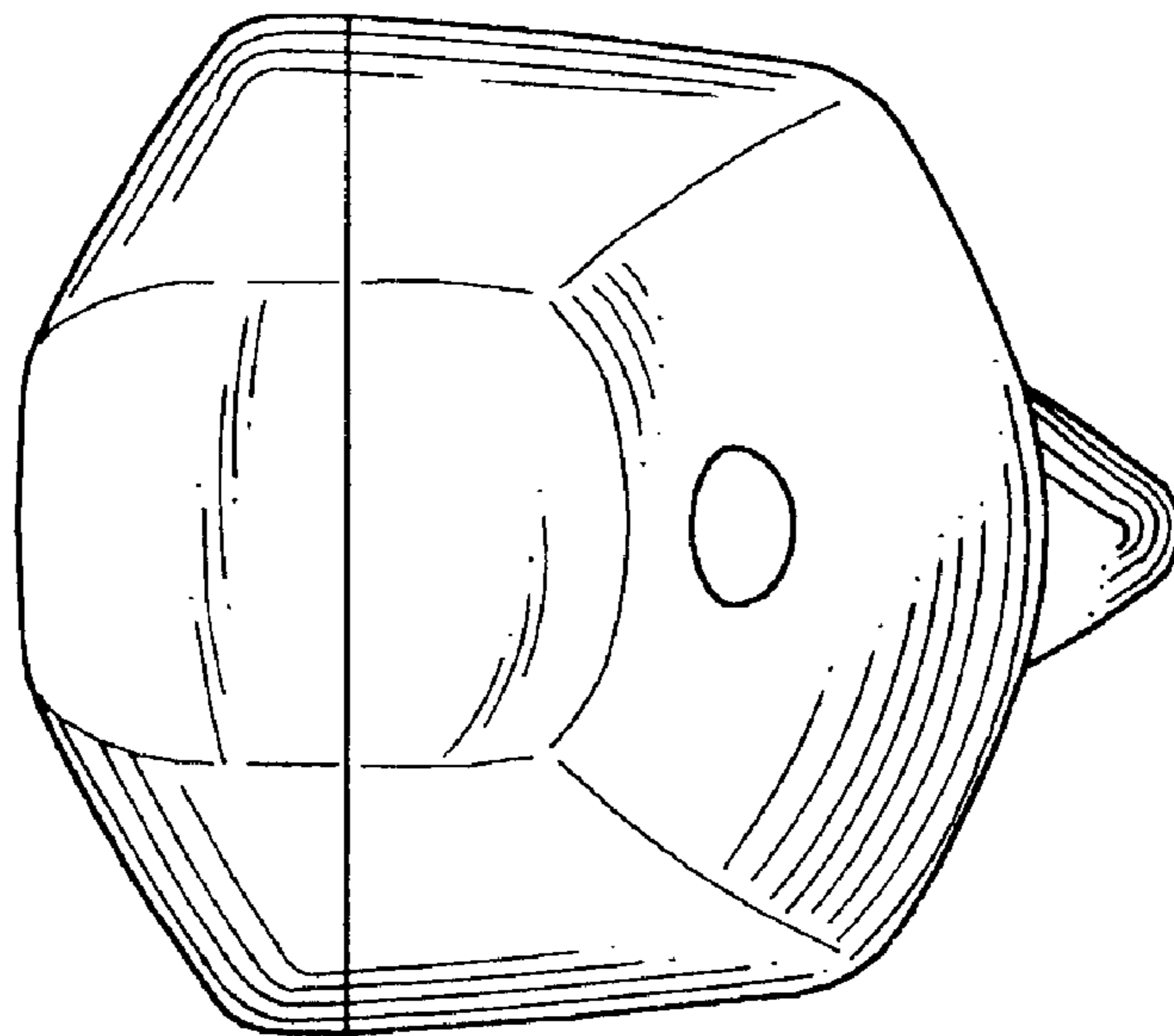
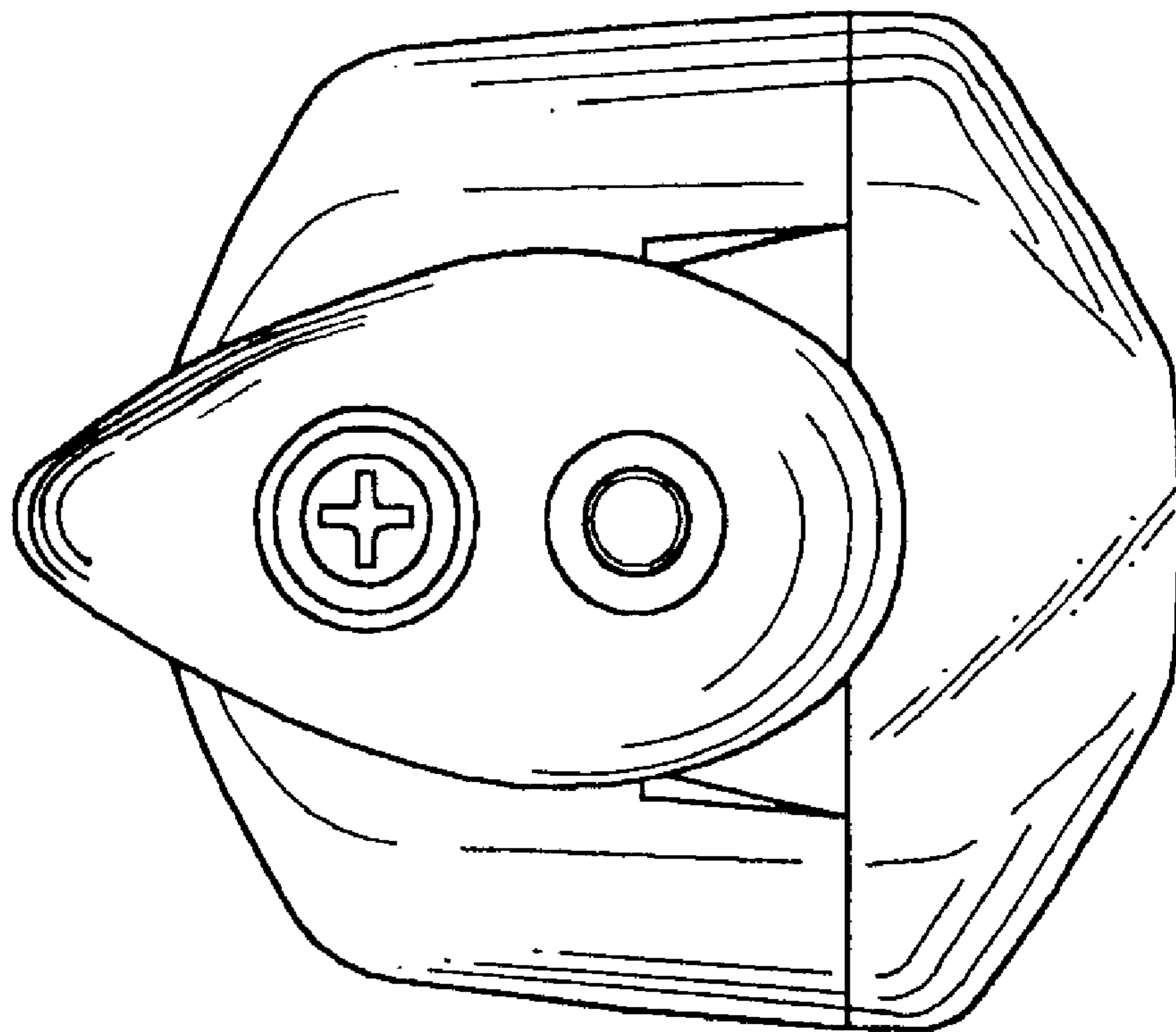


Fig. 4



F i g . 5

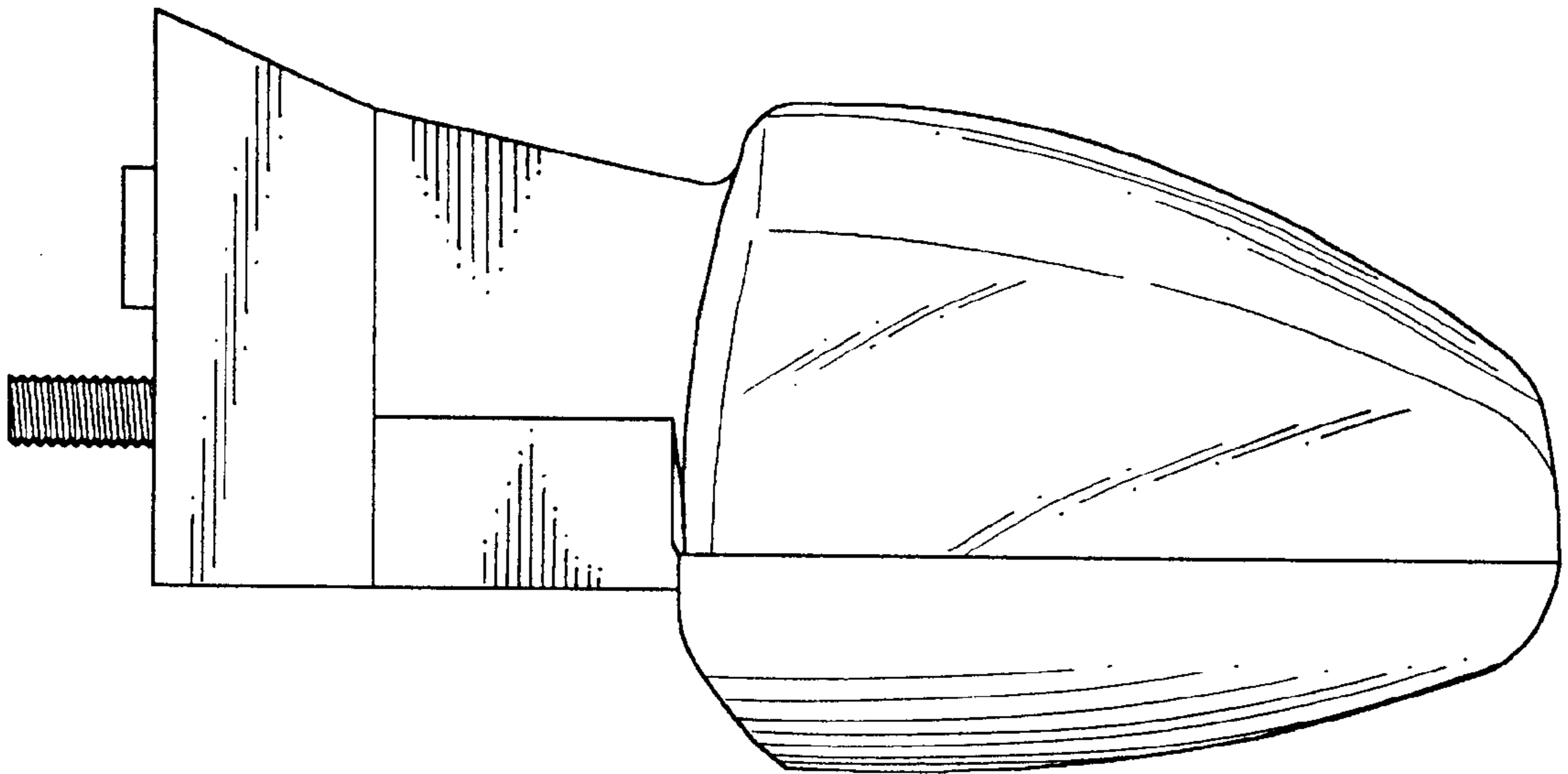


Fig. 6

