



US00D455851S

(12) **United States Design Patent**
Wareham

(10) **Patent No.:** **US D455,851 S**

(45) **Date of Patent:** **** Apr. 16, 2002**

(54) **HEADLIGHT FOR A CARPET EXTRACTOR**

(75) **Inventor:** **Richard A. Wareham**, North Canton, OH (US)

(73) **Assignee:** **The Hoover Company**, North Canton, OH (US)

(**) **Term:** **14 Years**

(21) **Appl. No.:** **29/135,771**

(22) **Filed:** **Jan. 18, 2001**

(51) **LOC (7) Cl.** **26-06**

(52) **U.S. Cl.** **D26/28; D32/31**

(58) **Field of Search** D32/21-22, 31-33, D32/25; 15/322, 415.1-422.1, 41.1, 52.1, 387, 350-351, 366, 368, 383, 324; 134/113; 362/31, 84, 91; D26/28, 120; D25/102, 109, 121, 119, 164; D8/16

(56) **References Cited**

U.S. PATENT DOCUMENTS

- 3,848,291 A * 11/1974 Morse 15/322
- 4,598,516 A * 7/1986 Groshong 52/241
- 5,107,565 A * 4/1992 Chun 15/324
- D339,641 S * 9/1993 Leufstedt et al. D25/119

- D392,779 S * 3/1998 Fedorka et al. D32/25
- D396,902 S * 8/1998 Fedorka et al. D32/31
- D445,206 S * 7/2001 Wareham D26/28
- D445,517 S * 7/2001 McGill et al. D26/28
- D445,923 S * 7/2001 Bradd D26/28
- D449,701 S * 10/2001 Wareham D26/28

* cited by examiner

Primary Examiner—Ruth McInroy

(74) *Attorney, Agent, or Firm*—A. Burgess Lowe; Brett A. Schenck

(57) **CLAIM**

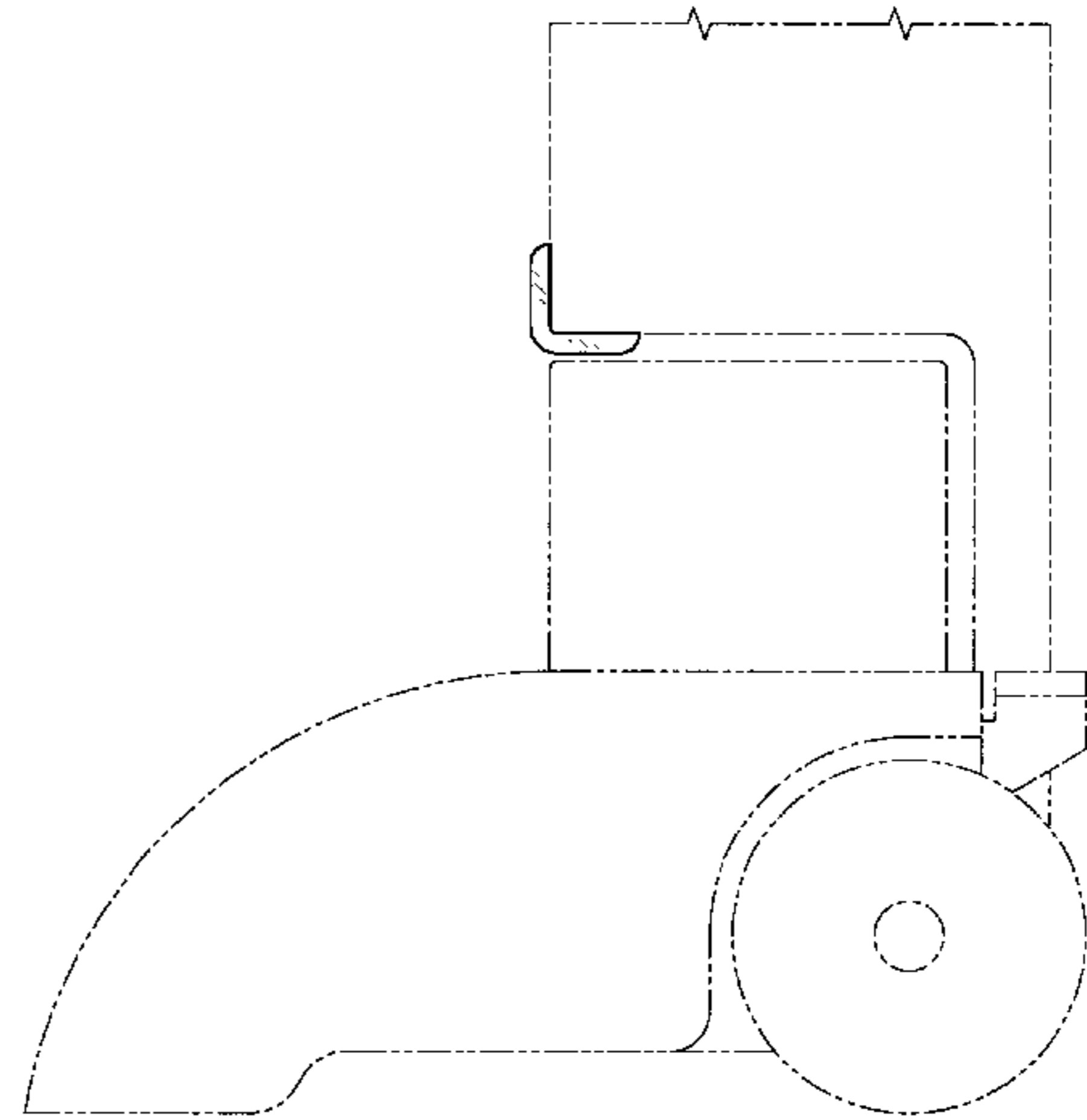
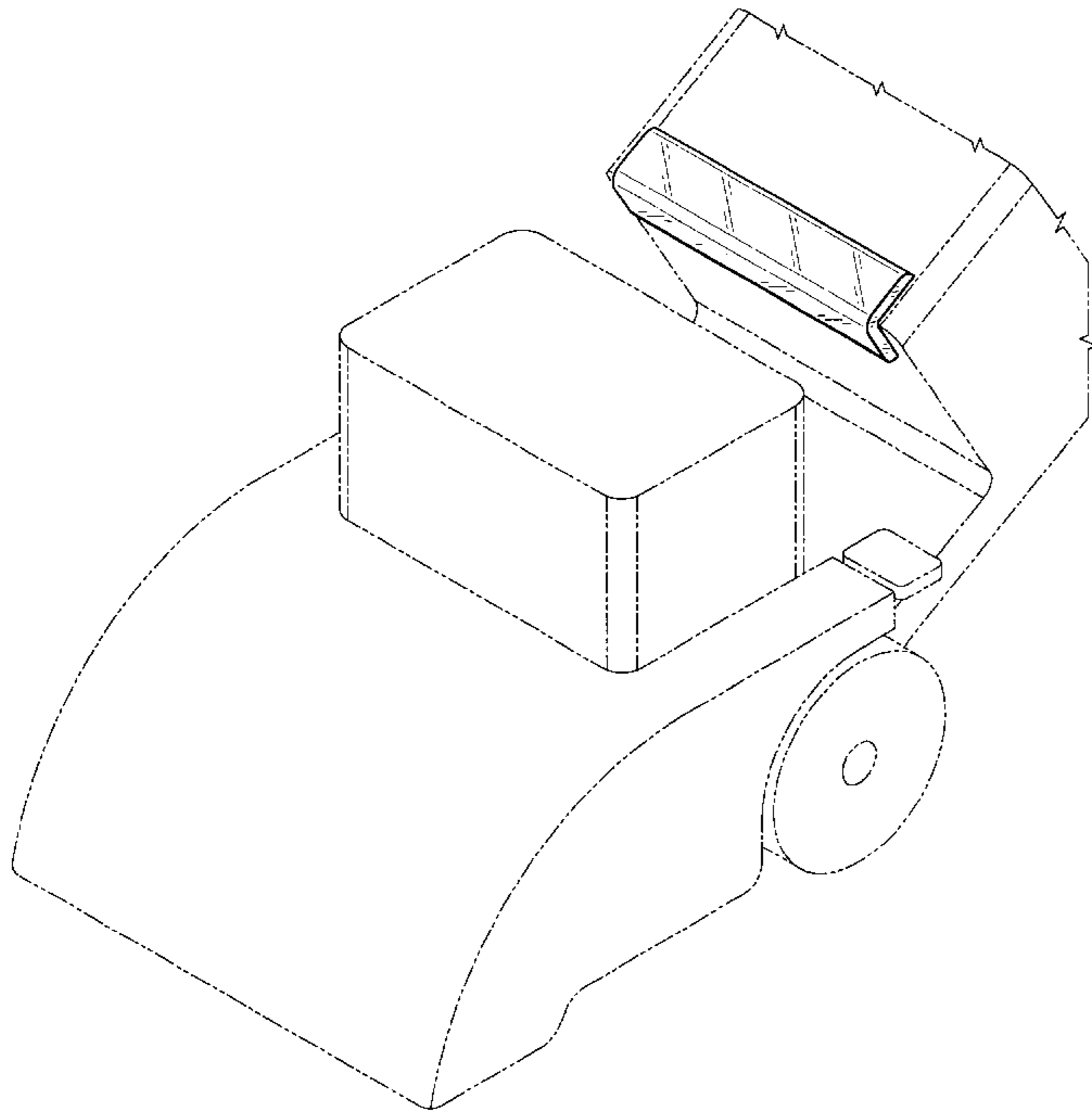
The ornamental design of a headlight for a carpet extractor, as shown and described.

DESCRIPTION

FIG. 1 is a perspective view a headlight for a carpet extractor showing my new design; FIG. 2 is a front elevational view thereof; FIG. 3 is a top elevational view thereof; and, FIG. 4 is a right side elevational view thereof, the left side being a mirror image.

The details shown in broken lines are shown for illustrative purposes only and form no part of the claimed design.

1 Claim, 3 Drawing Sheets



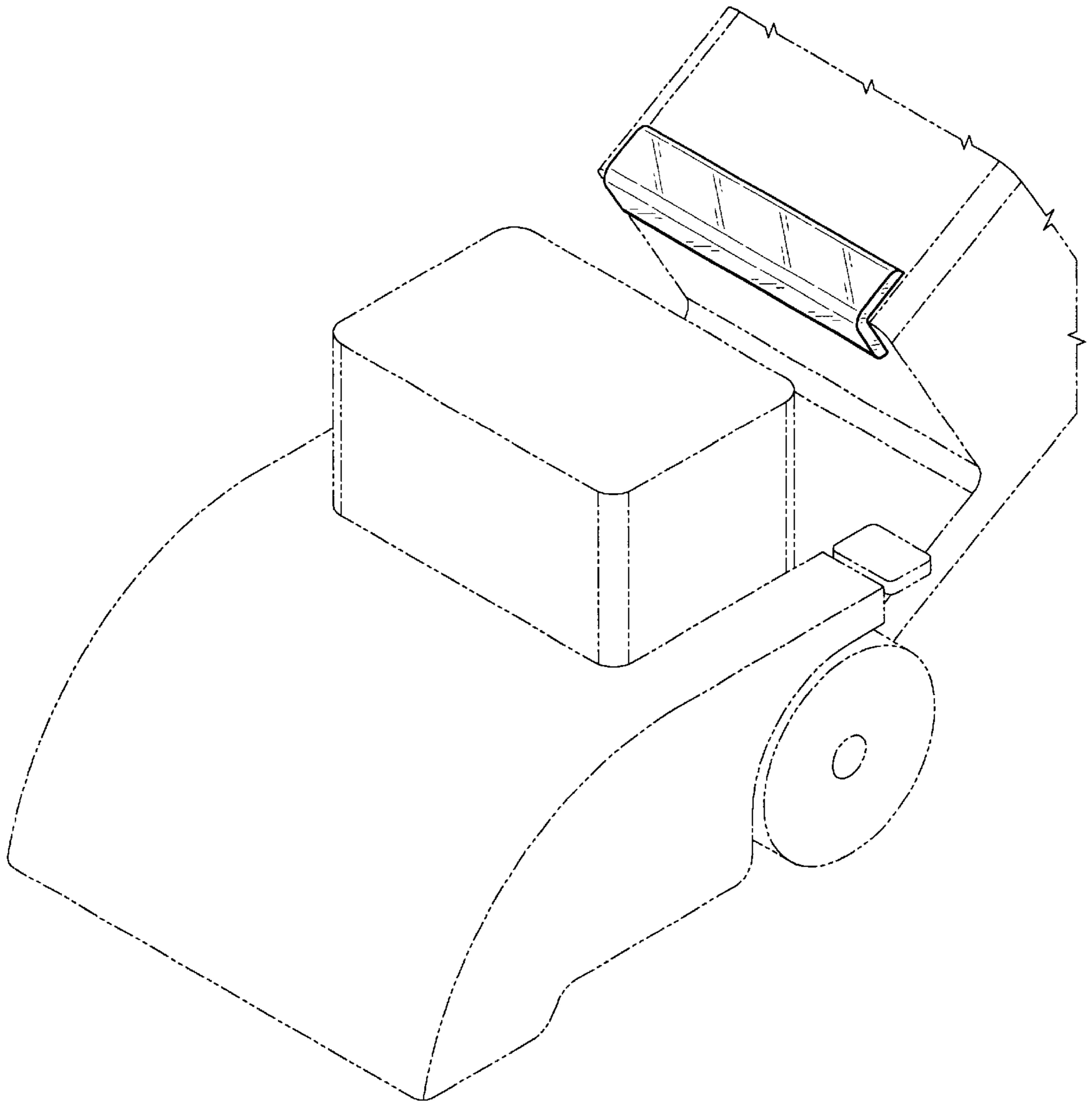


FIG-1

FIG-2

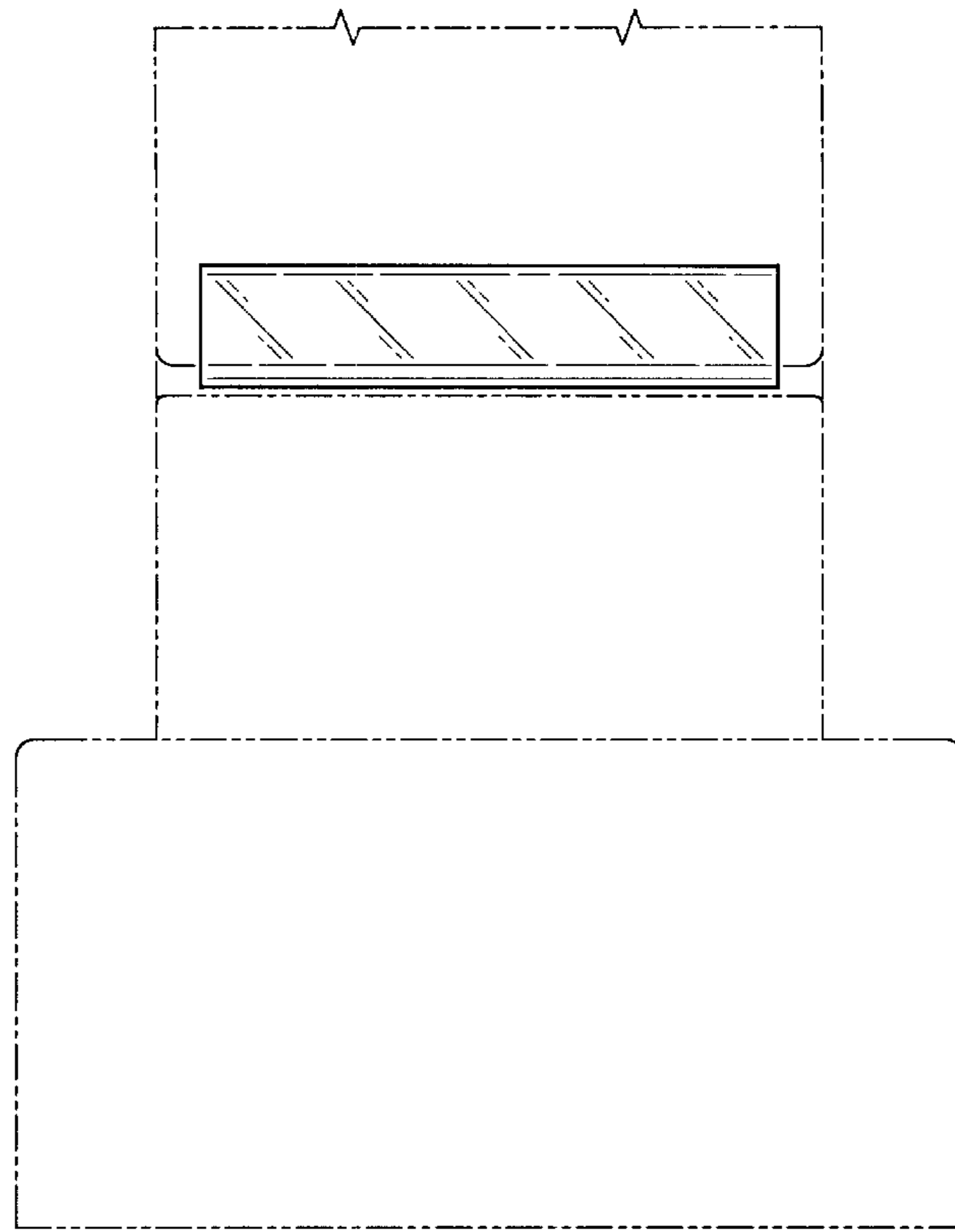


FIG-3

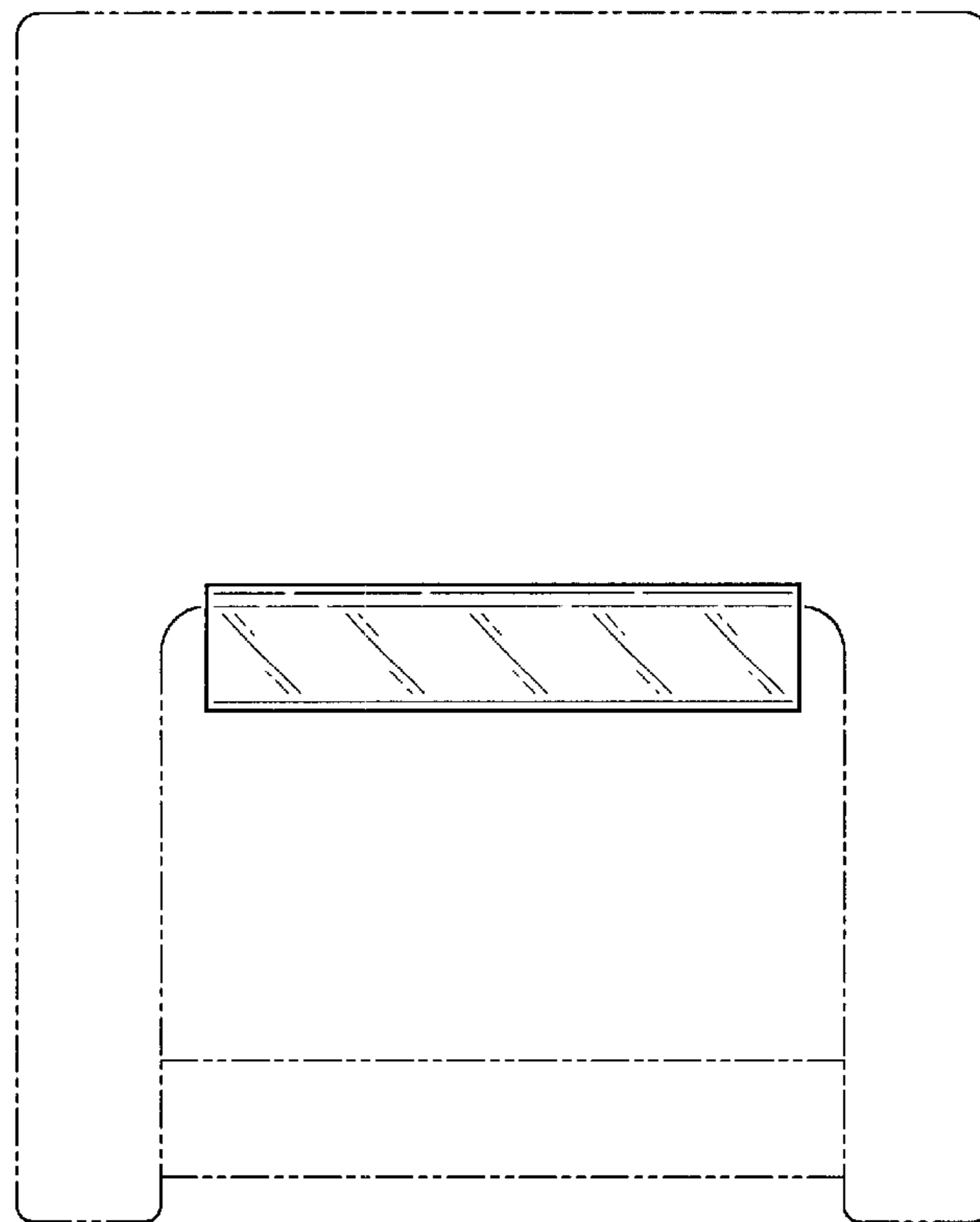


FIG-4

