



US00D455844S

(12) **United States Design Patent**
Dyck

(10) **Patent No.:** **US D455,844 S**

(45) **Date of Patent:** **** Apr. 16, 2002**

(54) **DECKING PLANK**

D392,754 S * 3/1998 Arenstam et al. D25/138

(76) Inventor: **Frank W. Dyck**, 3617 Douglas Woods Heights S.E., Calgary, Alberta (CA), T2Z 2G4

* cited by examiner

(**) Term: **14 Years**

Primary Examiner—Doris Clark
(74) *Attorney, Agent, or Firm*—Sean W. Goodwin

(21) Appl. No.: **29/125,761**

(57) **CLAIM**

(22) Filed: **Jun. 30, 2000**

The ornamental design for a decking plank, as shown and described.

Related U.S. Application Data

DESCRIPTION

(63) Continuation-in-part of application No. 29/102,316, filed on Mar. 22, 1999, now abandoned.

FIG. 1 is a left end view of a decking plank showing my new design;

(51) **LOC (7) Cl.** **25-01**

FIG. 2 is a top plan view thereof;

(52) **U.S. Cl.** **D25/121**

FIG. 3 is a right end view thereof;

(58) **Field of Search** D25/138, 121; 14/73; 405/4, 195.1

FIG. 4 is bottom plan view thereof; and,

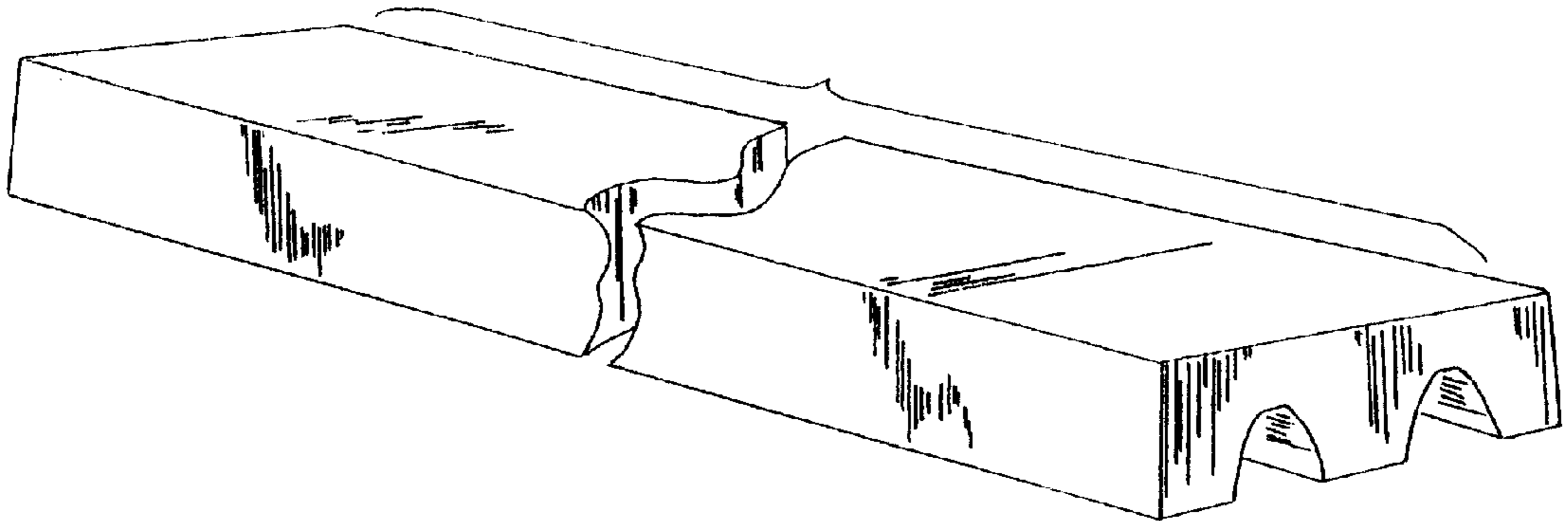
FIG. 5 is a front perspective view thereof.

(56) **References Cited**

U.S. PATENT DOCUMENTS

D189,447 S * 12/1960 Attwood D25/121

1 Claim, 1 Drawing Sheet



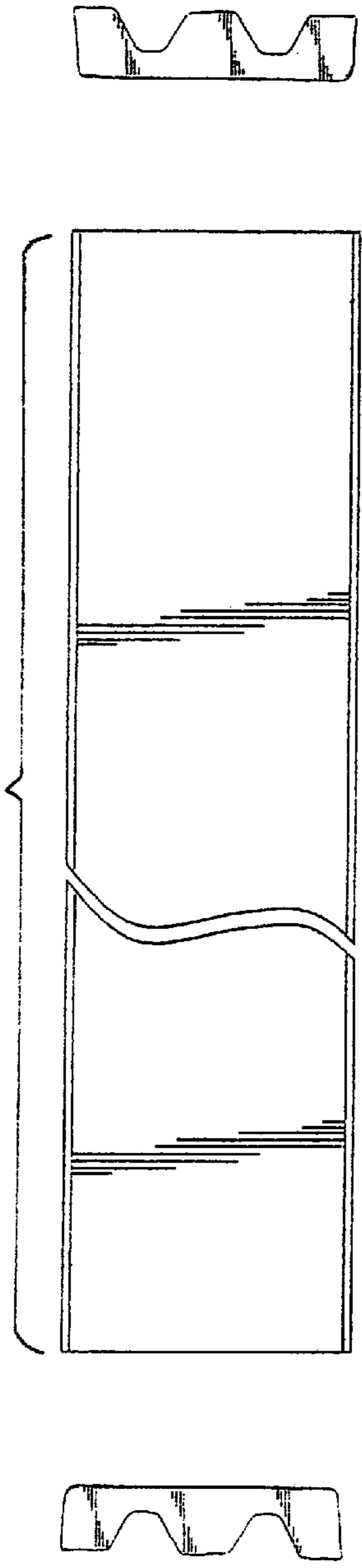


FIG. 1

FIG. 2

FIG. 3

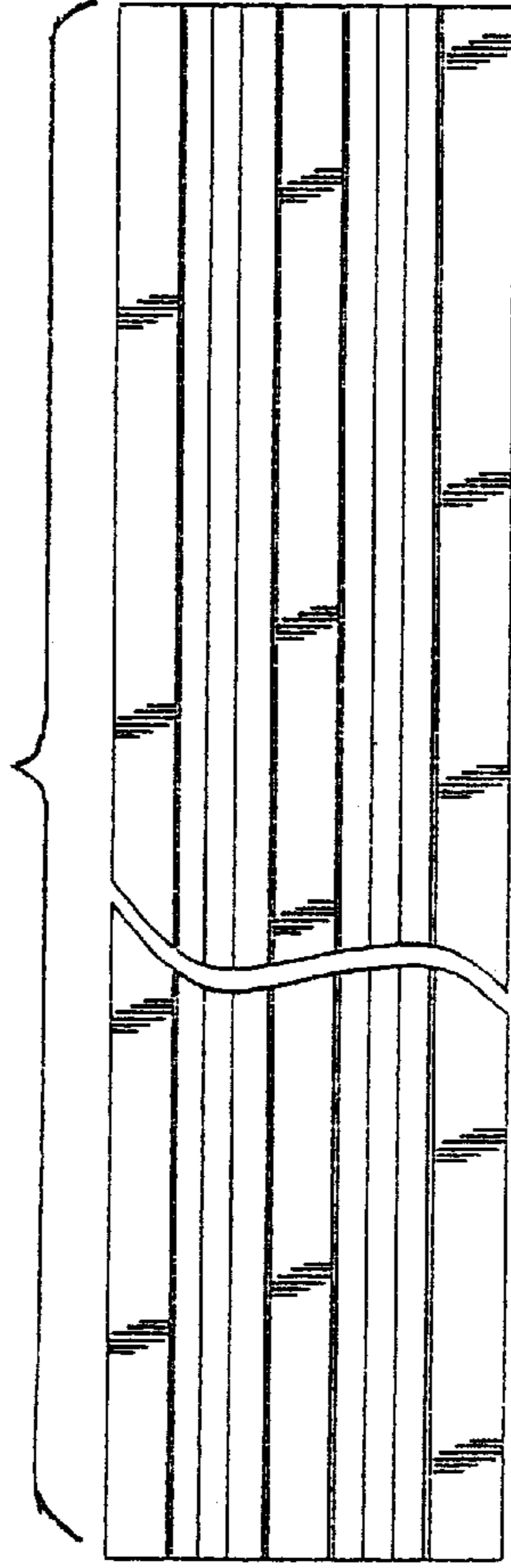


FIG. 4

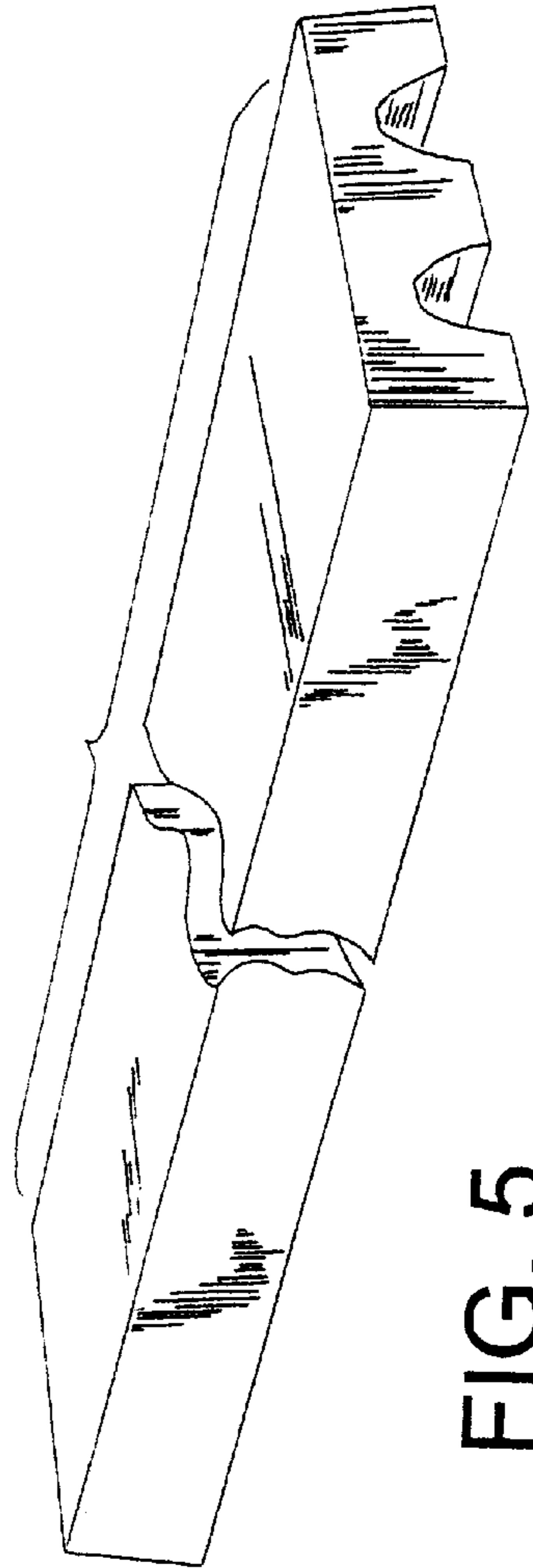


FIG. 5