



US00D455842S

(12) **United States Design Patent**
Rosko

(10) **Patent No.:** **US D455,842 S**

(45) **Date of Patent:** **** *Apr. 16, 2002**

(54) **STEP STOOL**

(75) Inventor: **M. Scot Rosko**, Greenwood, IN (US)

(73) Assignee: **Cosco Management, Inc.**, Wilmington, DE (US)

(*) Notice: This patent is subject to a terminal disclaimer.

(**) Term: **14 Years**

(21) Appl. No.: **29/135,283**

(22) Filed: **Jan. 9, 2001**

(51) **LOC (7) Cl.** **25-04**

(52) **U.S. Cl.** **D25/65**

(58) **Field of Search** 182/165, 161,
182/162, 33, 21, 132; D25/65

(56) **References Cited**

U.S. PATENT DOCUMENTS

4,502,564 A	3/1985	Kummerlin et al.
5,503,245 A	4/1996	Etesam
D387,878 S	12/1997	Jacques
D388,882 S	1/1998	Kain
5,722,507 A	3/1998	Kain
5,762,163 A	6/1998	Kain
D410,550 S	6/1999	Meyers
D411,888 S	7/1999	King
5,937,968 A	8/1999	Gibson et al.
D414,566 S	9/1999	Gibson et al.

D414,879 S	10/1999	Meyers	
6,000,497 A	12/1999	Kain et al.	
6,026,933 A	2/2000	King et al.	
6,039,149 A	3/2000	Bedja et al.	
D447,572 S	* 9/2001	Rosko D25/65

OTHER PUBLICATIONS

Brochure entitled "Cosco Creating the Comforts of Home Home Furnishings 1991;" pp. 21-24.

Brochure entitled "Cosco 1995 Home Furnishings;" pp. 1-6.

Brochure entitled "Cosco A Dorel Company Home Furnishings 1996;" pp. 14-25.

* cited by examiner

Primary Examiner—Doris Clark

(74) *Attorney, Agent, or Firm*—Barnes & Thornburg

(57) **CLAIM**

The ornamental design for a step stool, as shown and described.

DESCRIPTION

FIG. 1 is a perspective view of a step stool showing my new design;

FIG. 2 is a front elevational view thereof;

FIG. 3 is a right-side elevational view thereof;

FIG. 4 is a rear elevational view thereof;

FIG. 5 is a left-side elevational view thereof;

FIG. 6 is a top view thereof; and,

FIG. 7 is a bottom view thereof.

1 Claim, 5 Drawing Sheets

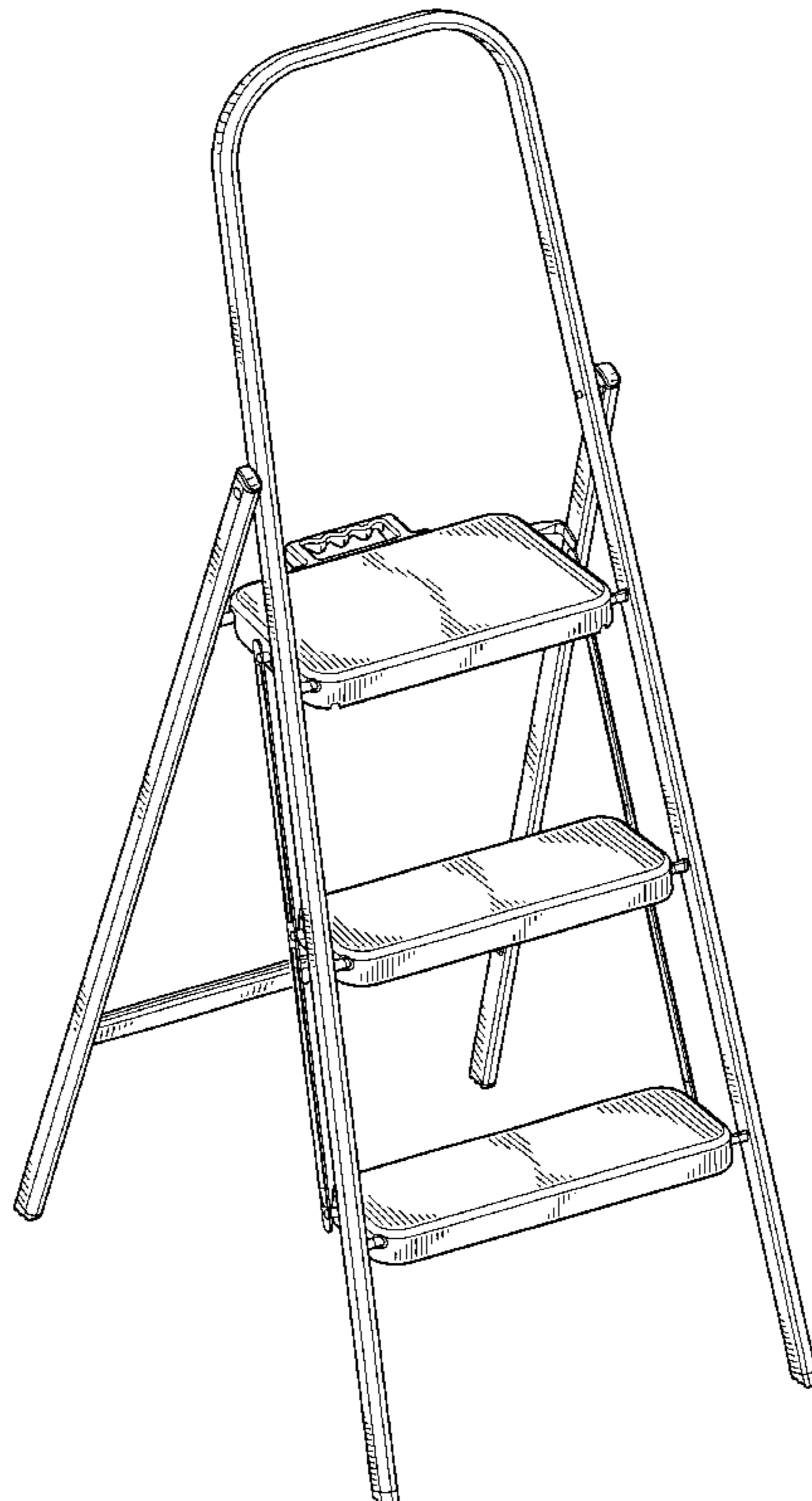




FIG. 1

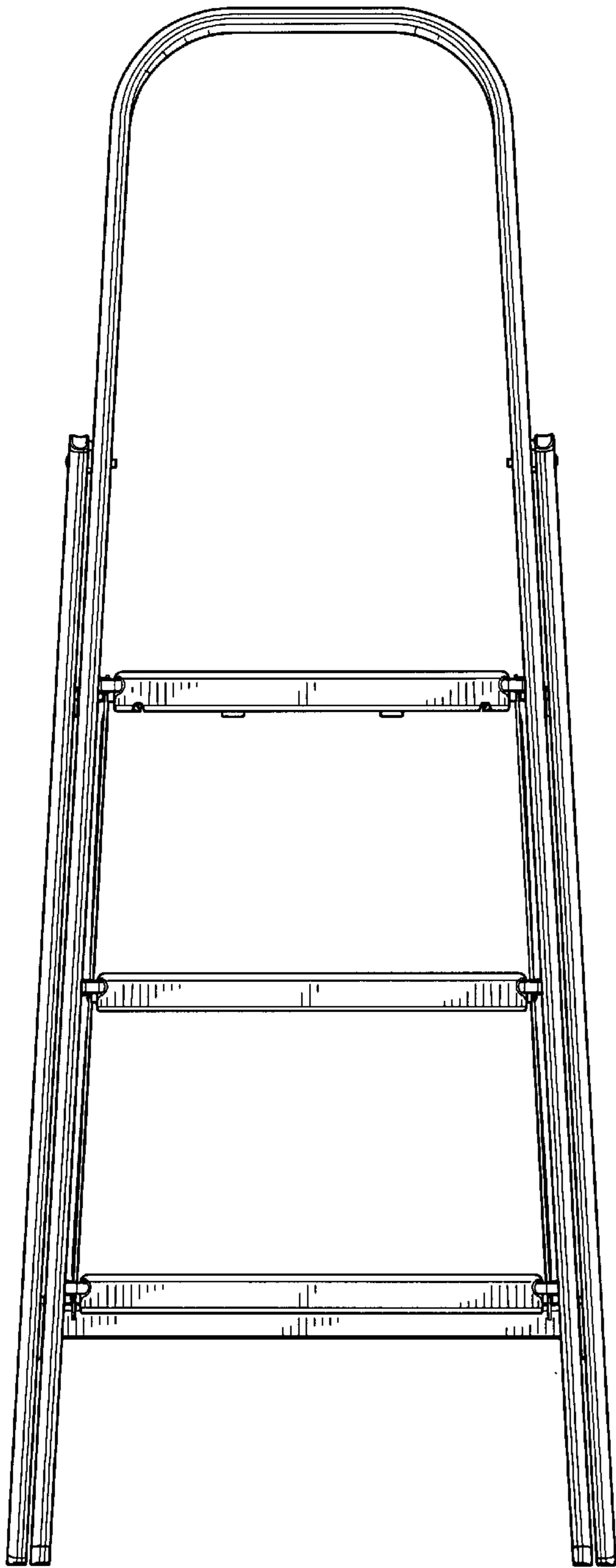


FIG. 2

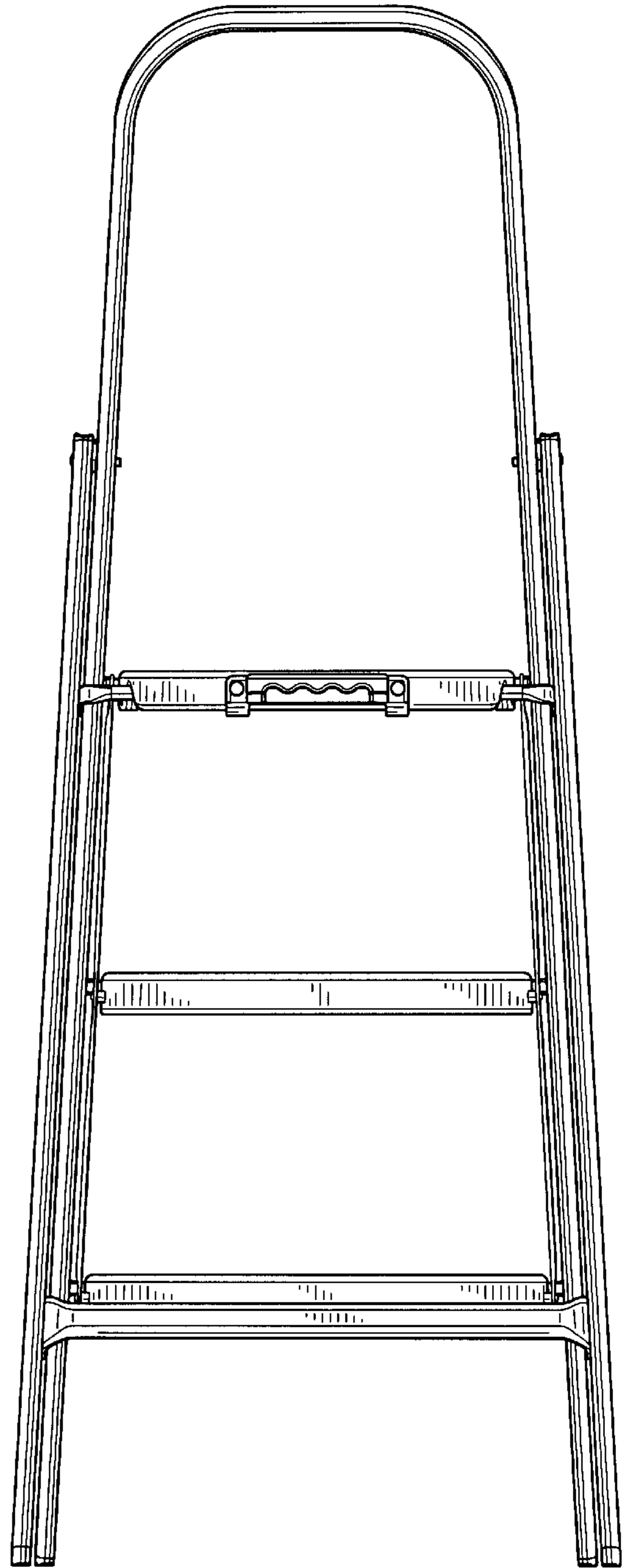


FIG. 4

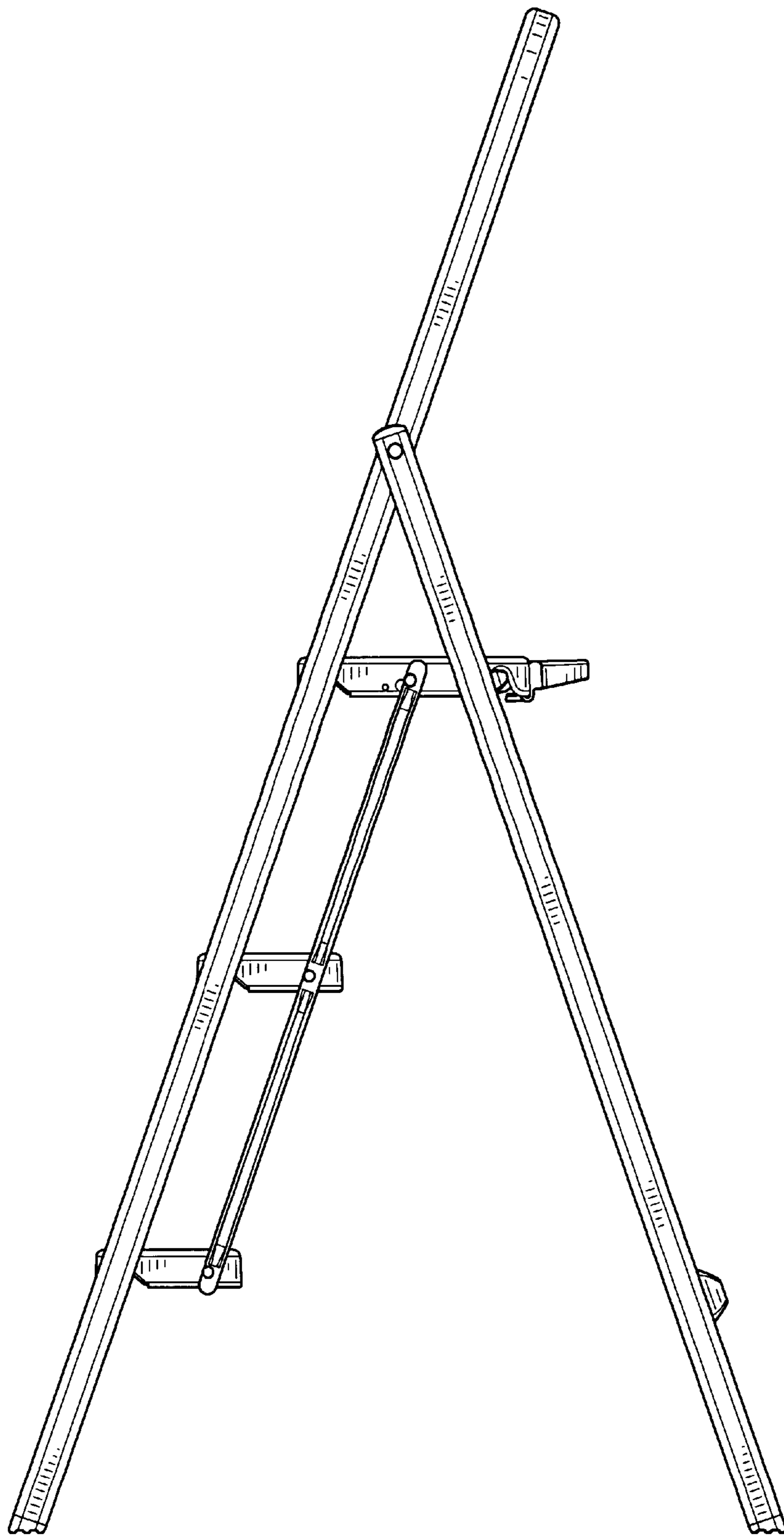


FIG. 3

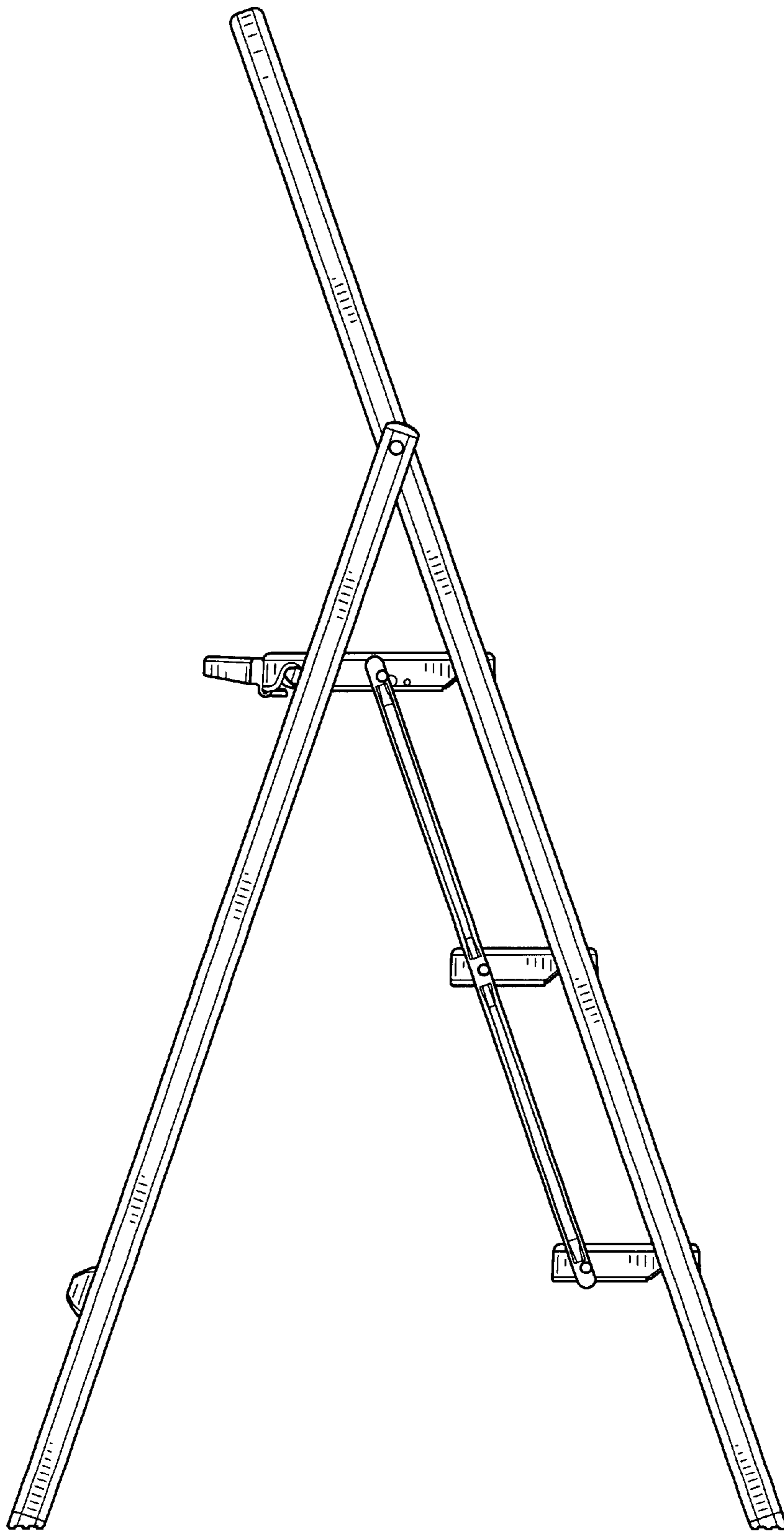


FIG. 5

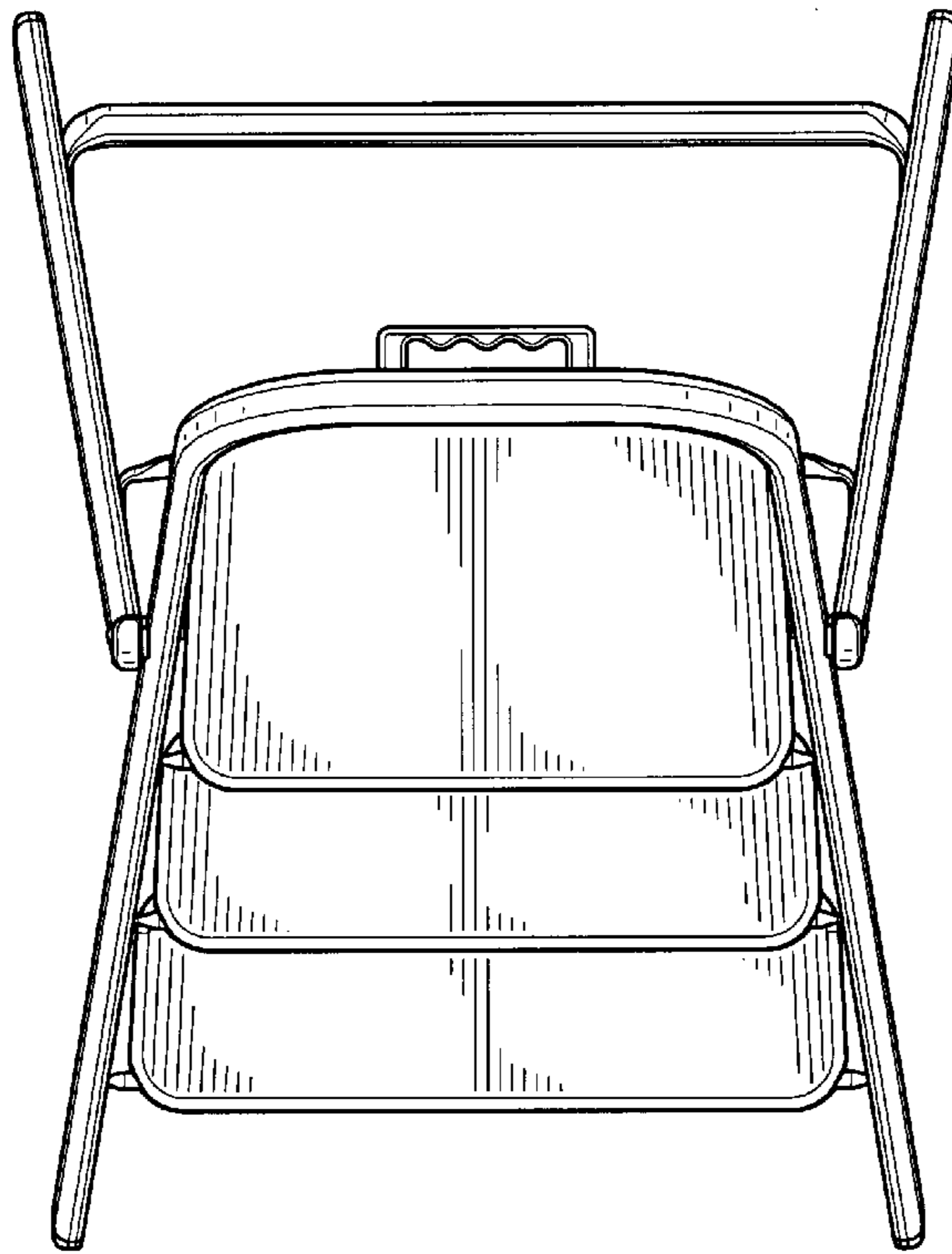


FIG. 6

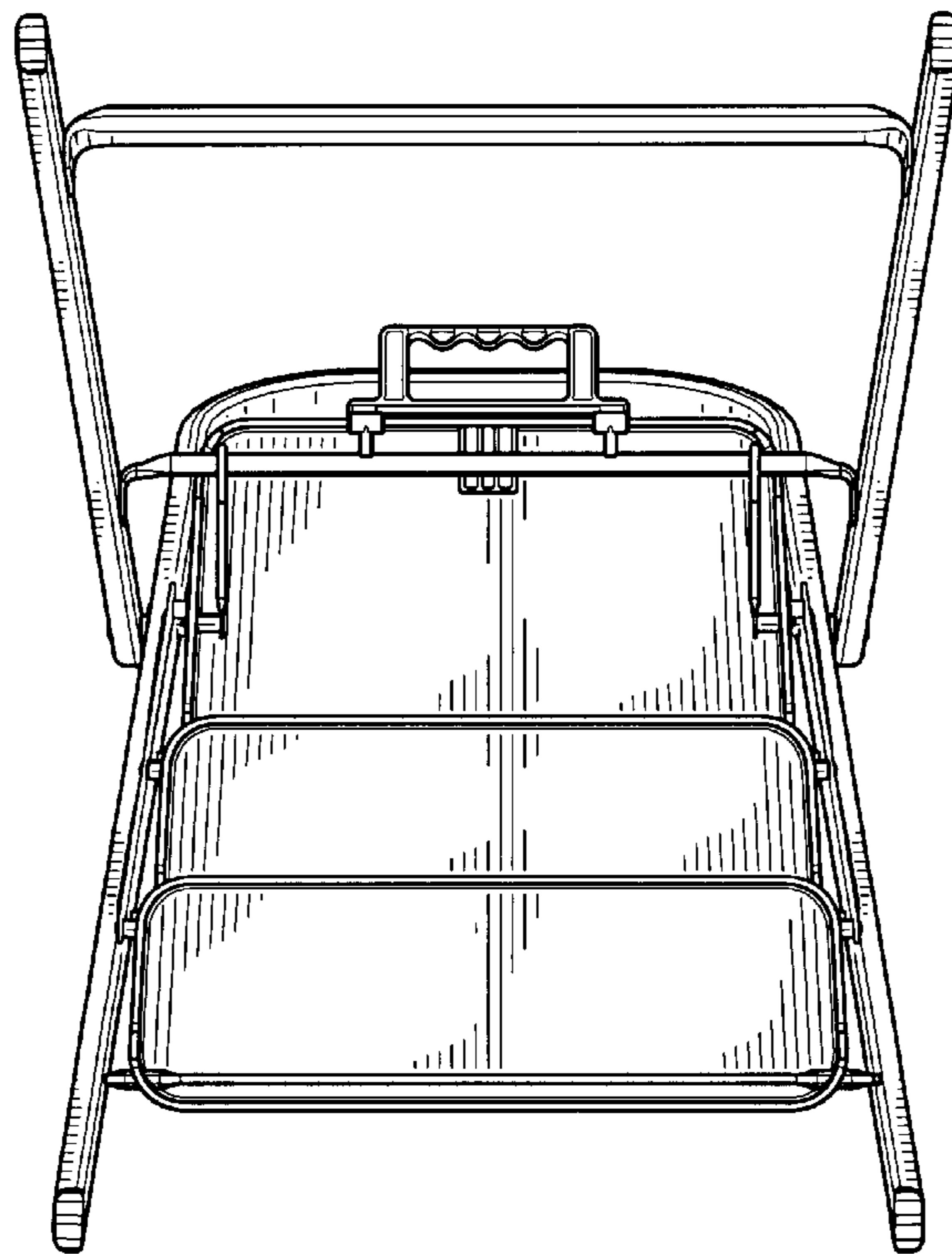


FIG. 7