



US00D455837S

(12) **United States Design Patent**
Kim

(10) **Patent No.:** **US D455,837 S**

(45) **Date of Patent:** **** Apr. 16, 2002**

(54) **ELECTRIC KNEADER**

(75) **Inventor:** **Nak-Ki Kim**, Seoul (KR)

(73) **Assignee:** **Nopsys Electronics Co., Ltd.**, Gunpo (KR)

(**) **Term:** **14 Years**

(21) **Appl. No.:** **29/142,150**

(22) **Filed:** **May 21, 2001**

(51) **LOC (7) Cl.** **28-03**

(52) **U.S. Cl.** **D24/215; D24/214**

(58) **Field of Search** D24/215, 214,
D24/200; 601/84, 85, 87, 118, 119, 123,
125, 126, 128, 130, 131, 134, 136, 137

(56) **References Cited**

U.S. PATENT DOCUMENTS

4,744,350 A	*	5/1988	Sato	601/119
5,458,561 A	*	10/1995	Schweisfurth	601/119
5,711,758 A	*	1/1998	Tseng	601/127
D437,939 S	*	2/2001	Hirosawa	D24/215

* cited by examiner

Primary Examiner—Stella Reid

(74) *Attorney, Agent, or Firm*—Nath & Associates PLLC;
Gary M. Nath; Marvin C. Berkowitz

(57) **CLAIM**

The ornamental design for an electric kneader, as shown and described.

DESCRIPTION

FIG. 1 is a perspective view of an electric kneader, showing our new design;

FIG. 2 is a front view thereof;

FIG. 3 is a rear view thereof;

FIG. 4 is a left side view thereof;

FIG. 5 is a right side view thereof;

FIG. 6 is a top plan view thereof;

FIG. 7 is a bottom view thereof; and,

FIG. 8 is a perspective view thereof, in use condition.

The broken line showing in FIG. 8 is for illustrative purposes only and forms no part of the claimed design.

1 Claim, 4 Drawing Sheets

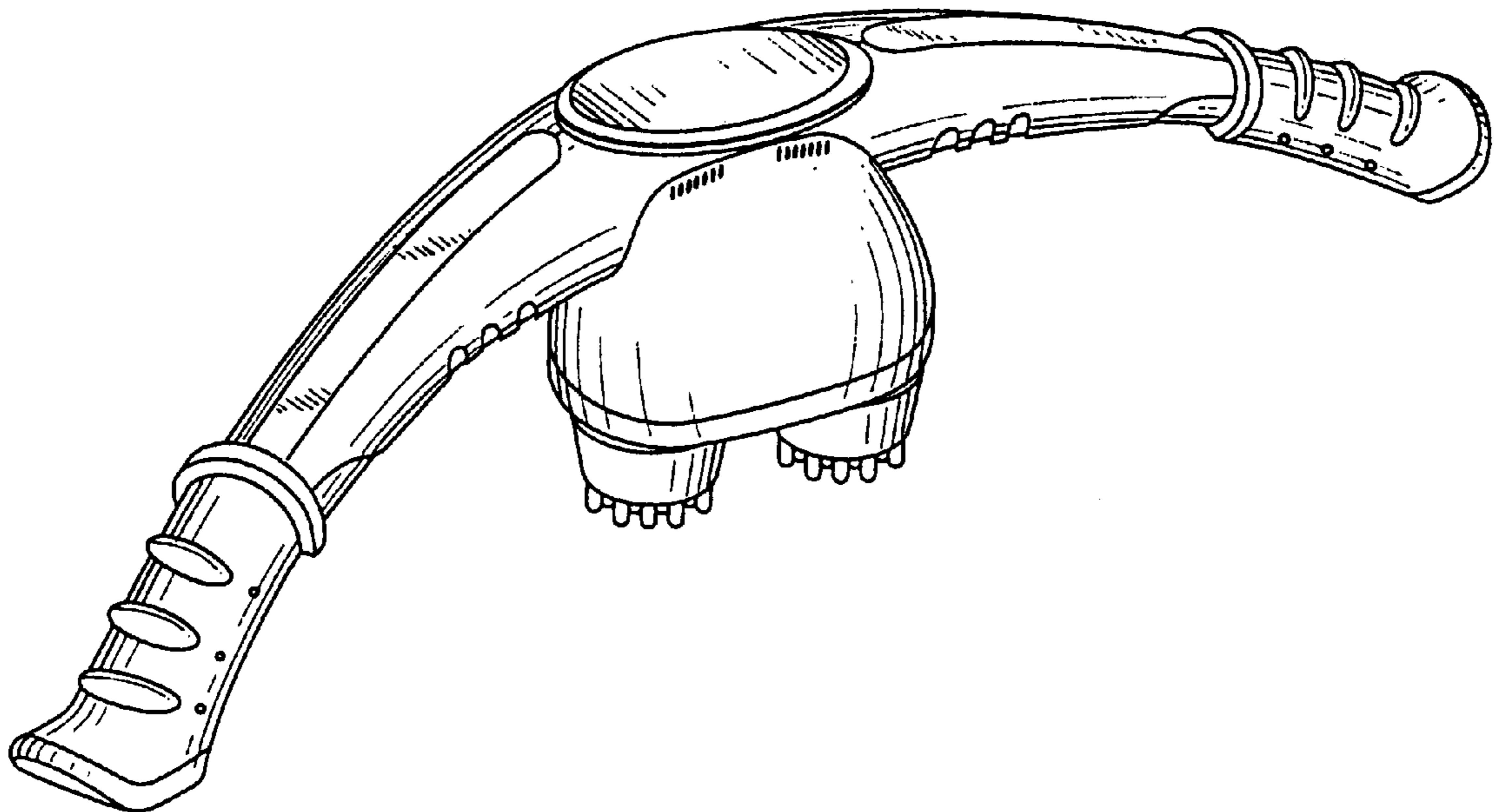


FIG. 1

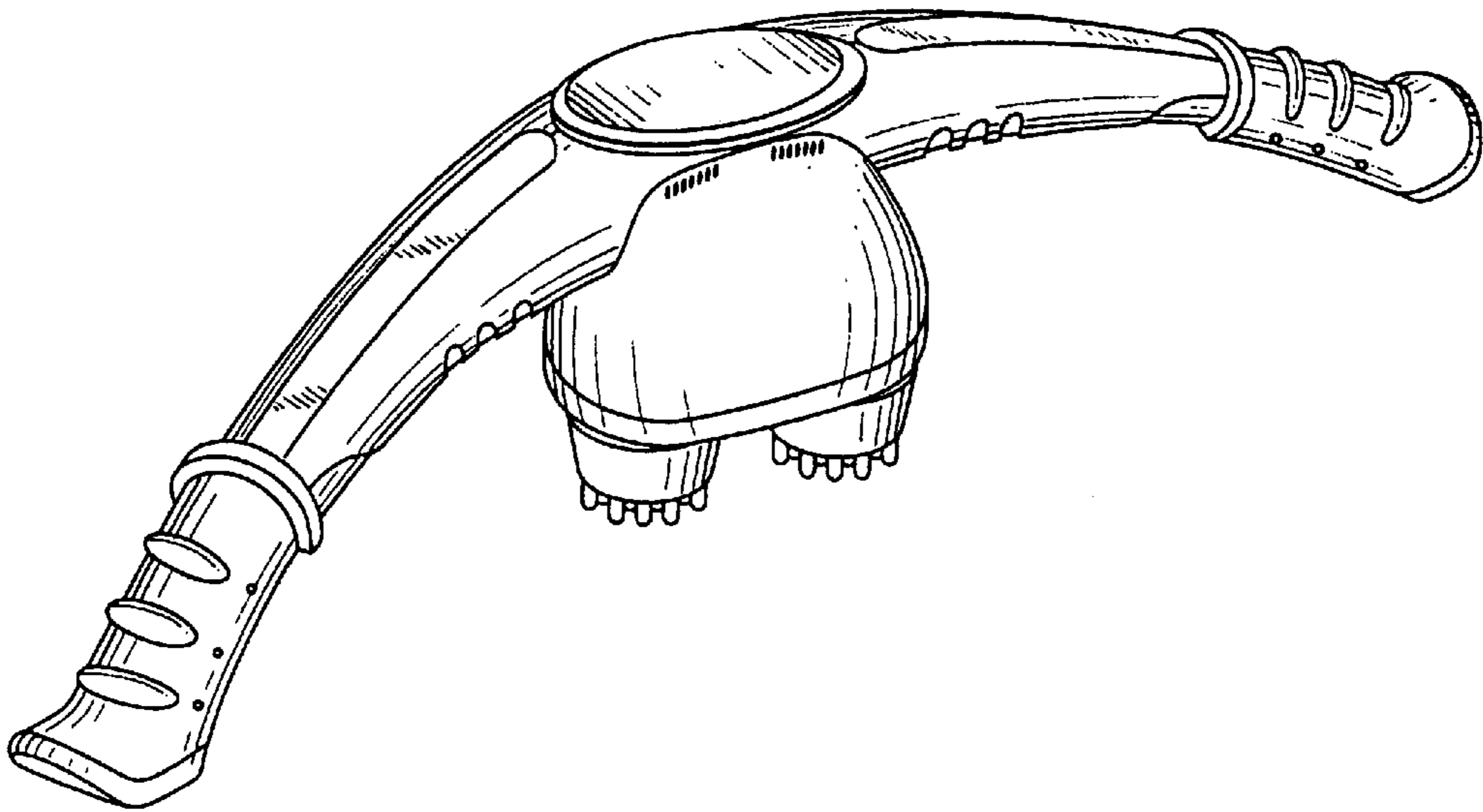


FIG. 2

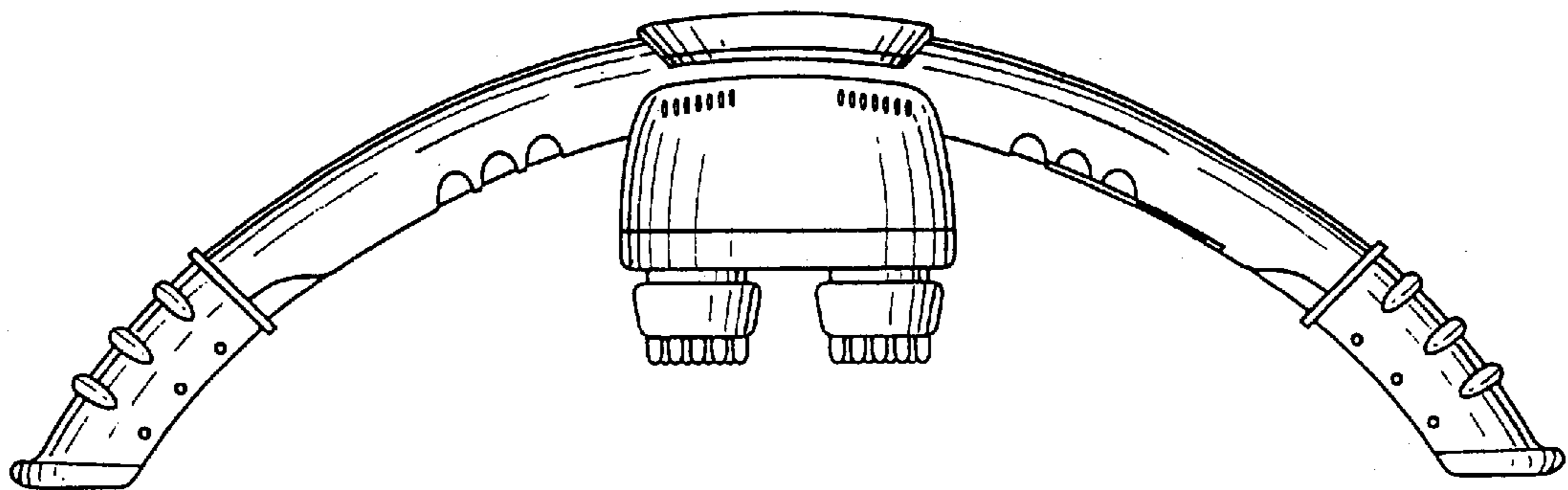


FIG. 3

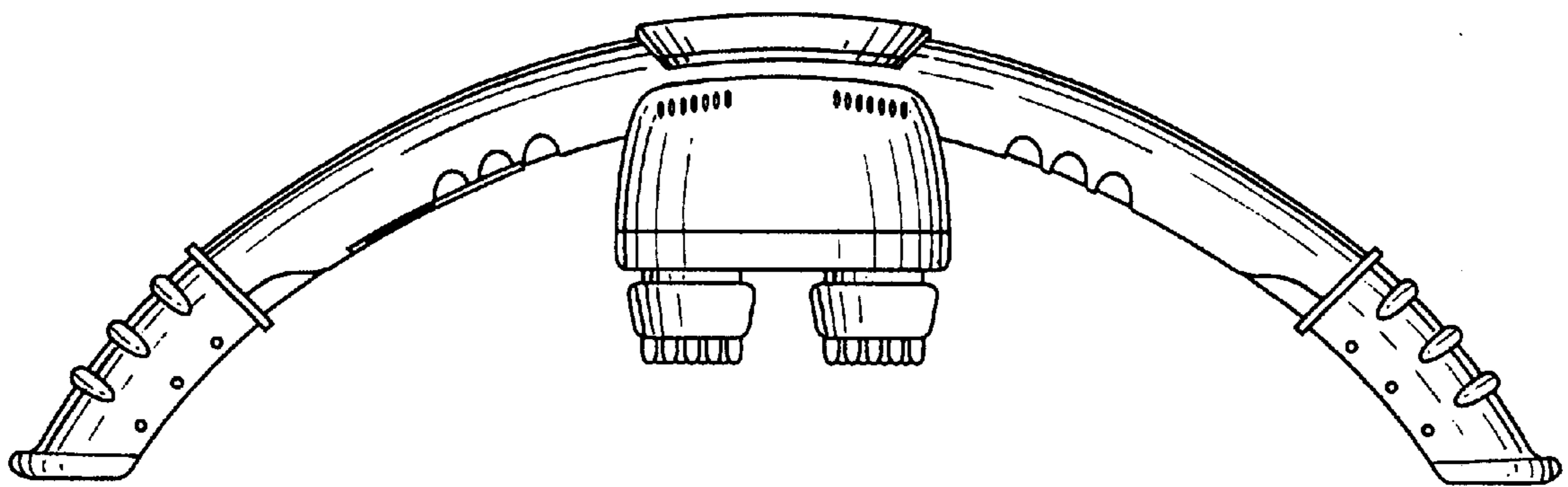


FIG. 4

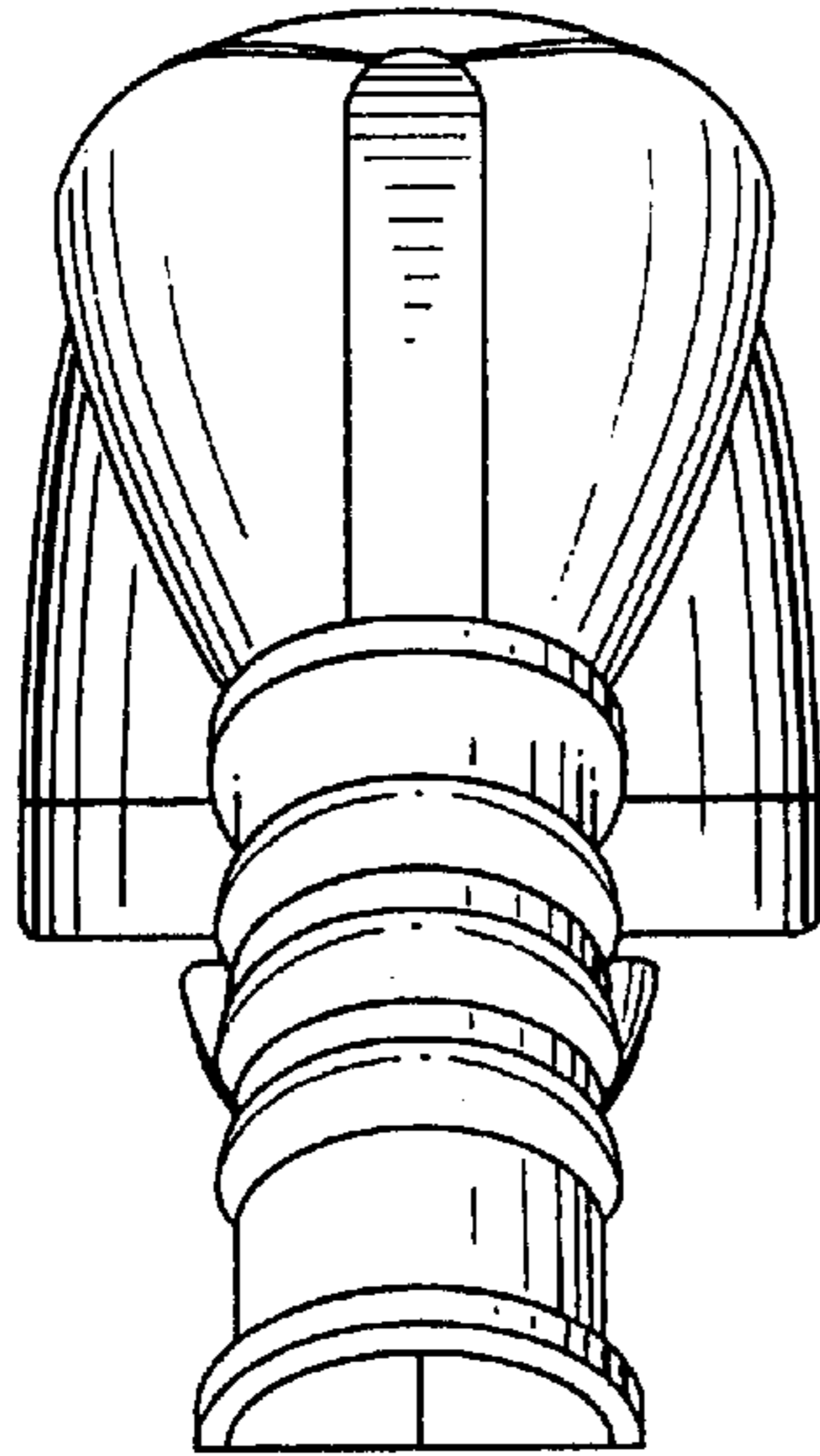


FIG. 5

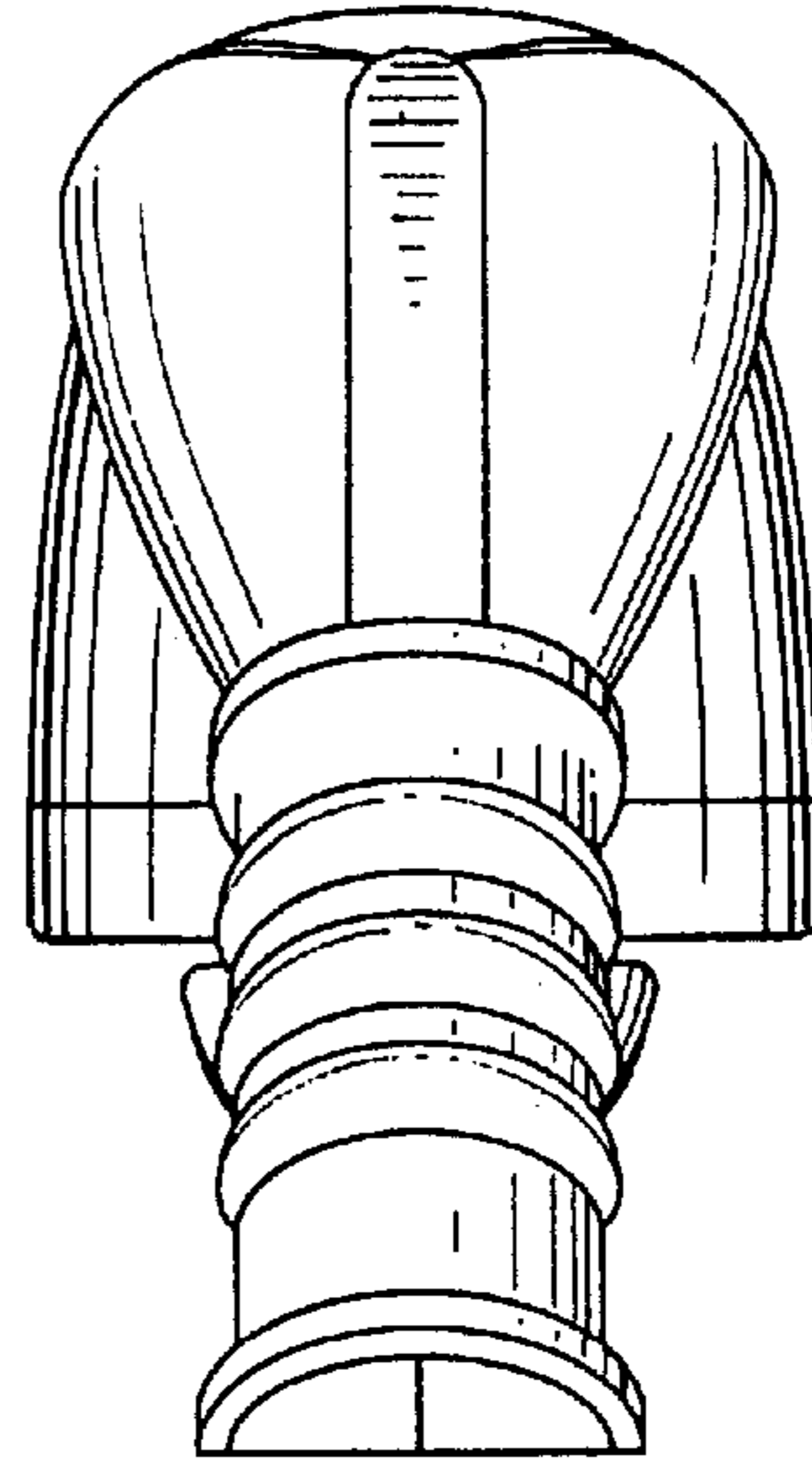


FIG. 6

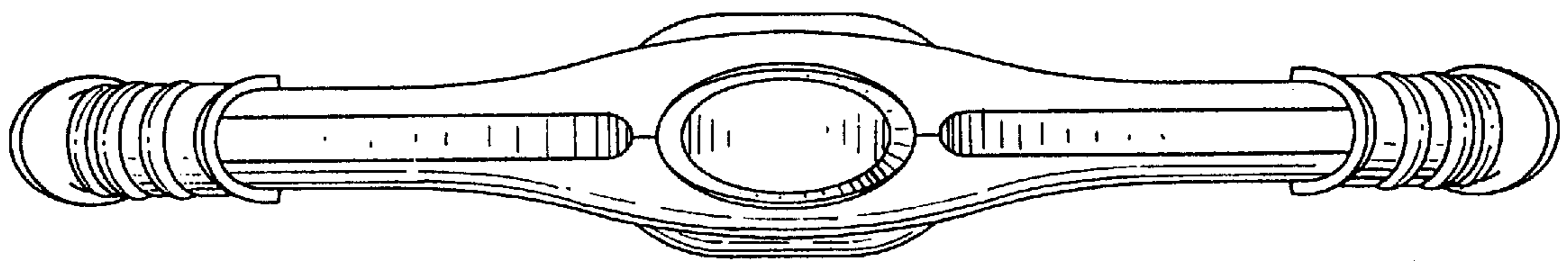


FIG. 7

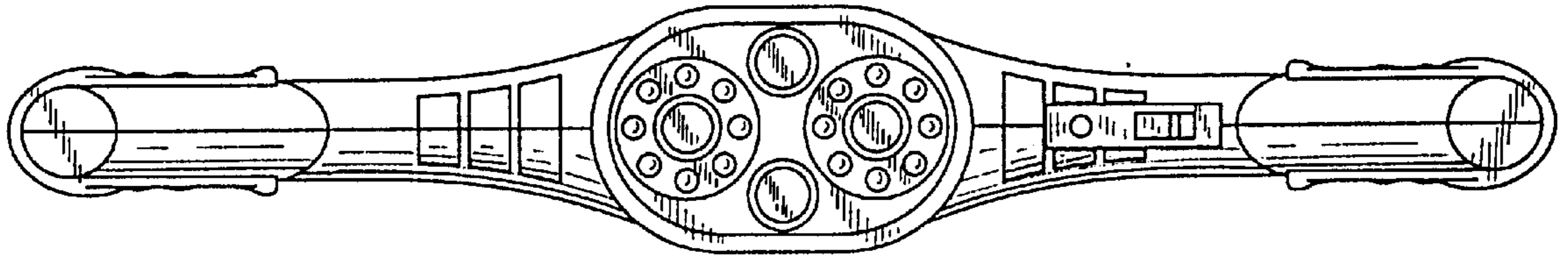


FIG. 8

