



US00D455835S

(12) **United States Design Patent**  
**Anderson et al.**

(10) **Patent No.:** **US D455,835 S**

(45) **Date of Patent:** **\*\* Apr. 16, 2002**

(54) **WIRELESS EARPIECE**

(75) Inventors: **Marlyn J. Anderson**, St. Louis Park;  
**Barry Voroba**, Minnetonka, both of  
MN (US)

(73) Assignee: **Voice and Wireless Corporation**, St.  
Louis Park, MN (US)

(\*\*) Term: **14 Years**

(21) Appl. No.: **29/139,587**

(22) Filed: **Apr. 3, 2001**

(51) **LOC (7) Cl.** ..... **24-99**

(52) **U.S. Cl.** ..... **D24/174**

(58) **Field of Search** ..... D24/174; 381/23.1,  
381/312, 322, 328; 181/128, 129, 130,  
135

(56) **References Cited**

**U.S. PATENT DOCUMENTS**

|            |   |         |         |       |         |
|------------|---|---------|---------|-------|---------|
| D206,665 S | * | 1/1967  | Sanzone | ..... | D24/174 |
| D208,784 S | * | 10/1967 | Sanzone | ..... | D24/174 |
| D213,448 S | * | 3/1969  | Giller  | ..... | D24/174 |
| D273,707 S | * | 5/1984  | McCall  | ..... | D24/173 |

|             |   |         |                 |       |         |
|-------------|---|---------|-----------------|-------|---------|
| D287,280 S  | * | 12/1986 | Topholm         | ..... | D24/174 |
| D287,764 S  | * | 1/1987  | Topholm         | ..... | D24/174 |
| D287,765 S  | * | 1/1987  | Topholm         | ..... | D24/174 |
| D297,979 S  | * | 10/1988 | Voroba et al.   | ..... | D24/174 |
| D375,556 S  | * | 11/1996 | Narisawa et al. | ..... | D24/174 |
| 5,748,743 A | * | 5/1998  | Weeks           | ..... | 381/328 |

\* cited by examiner

*Primary Examiner*—Stella Reid

(74) *Attorney, Agent, or Firm*—Mueting, Raasch &  
Gebhardt, P.A.

(57) **CLAIM**

The ornamental design for a wireless earpiece, as shown and described.

**DESCRIPTION**

FIG. 1 is a perspective view of a wireless earpiece showing the new design;

FIG. 2 is a side view thereof;

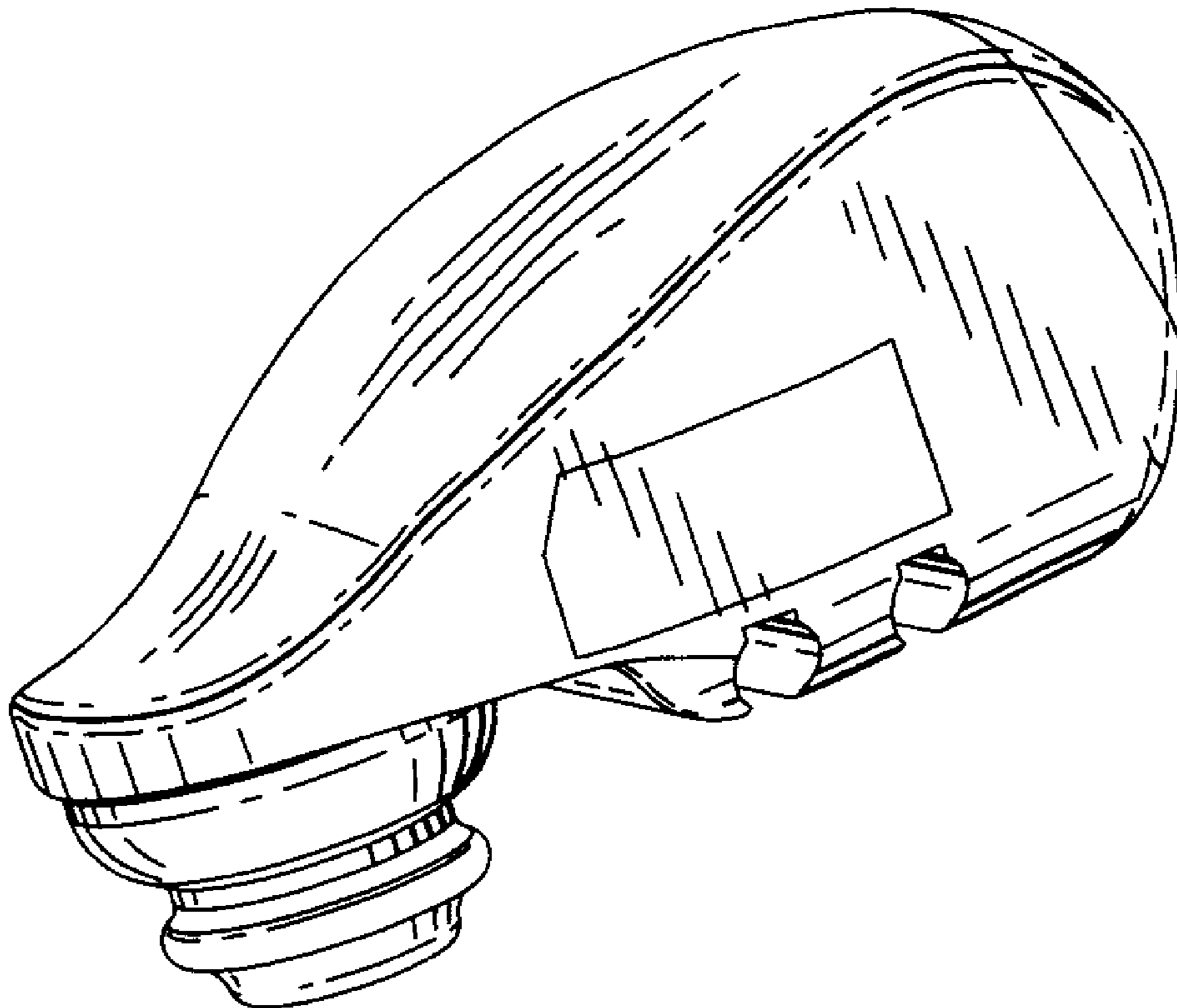
FIG. 3 is a front end view thereof;

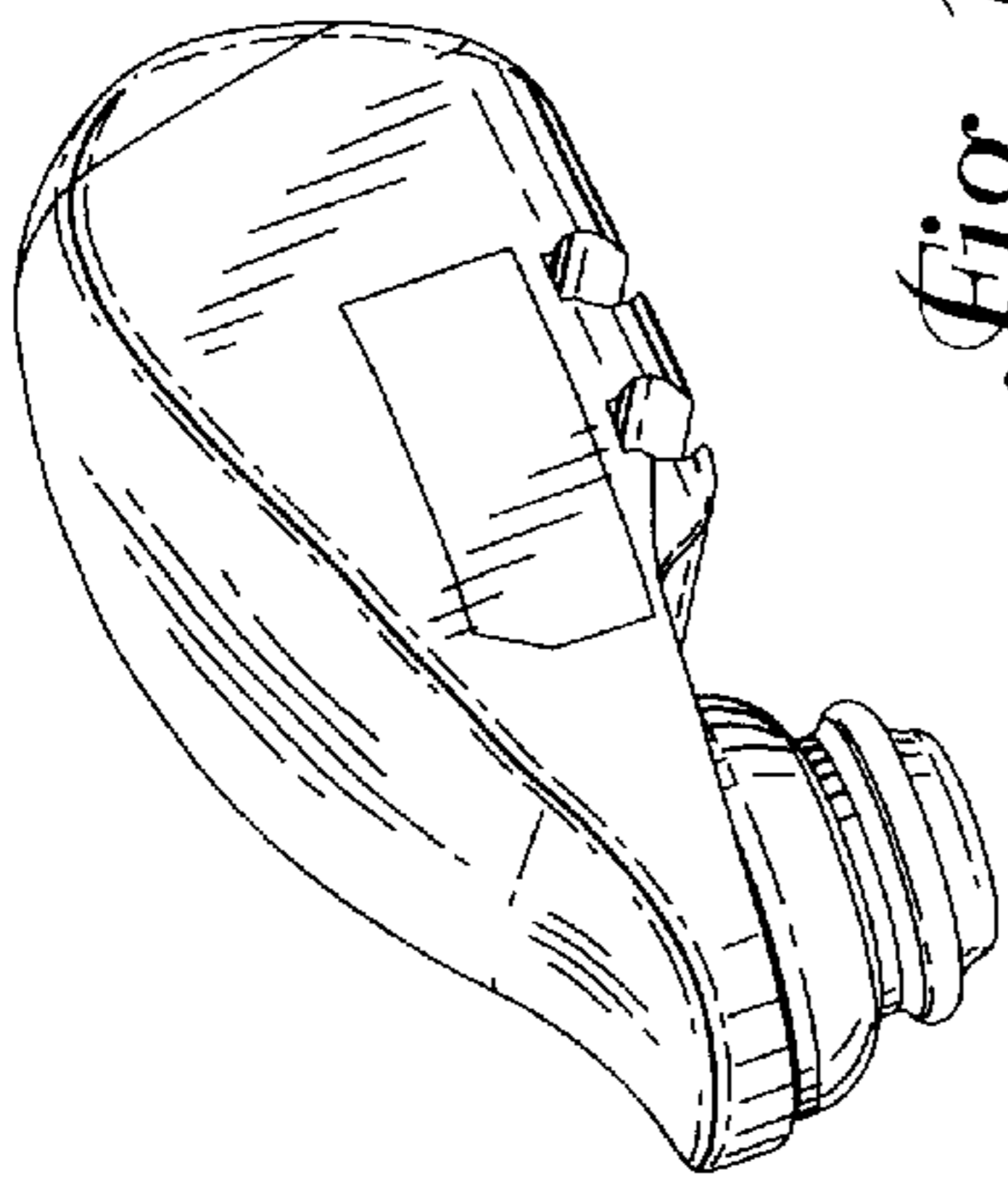
FIG. 4 is a rear end view thereof;

FIG. 5 is a top plan view thereof; and,

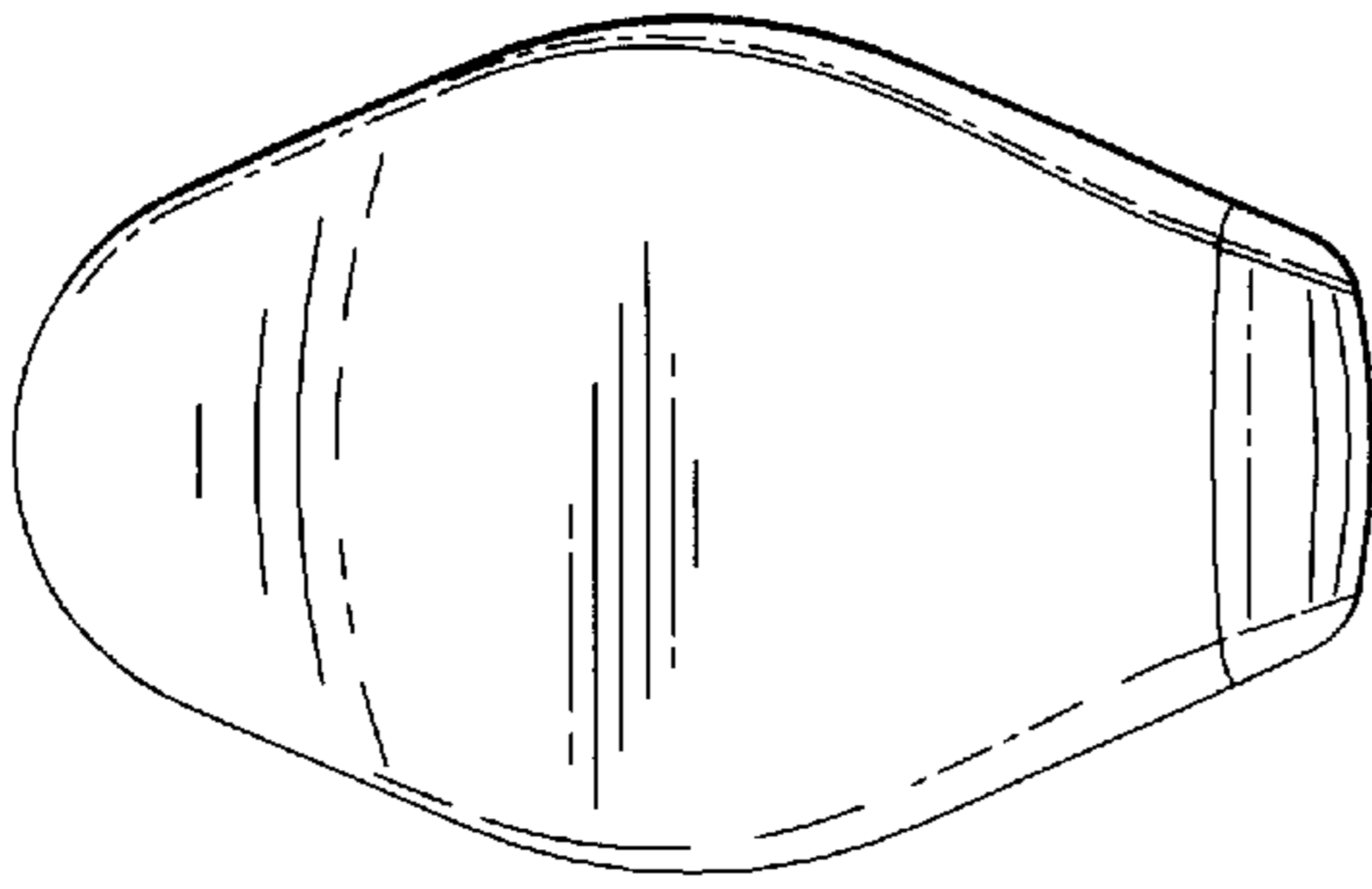
FIG. 6 is a bottom plan view thereof.

**1 Claim, 1 Drawing Sheet**

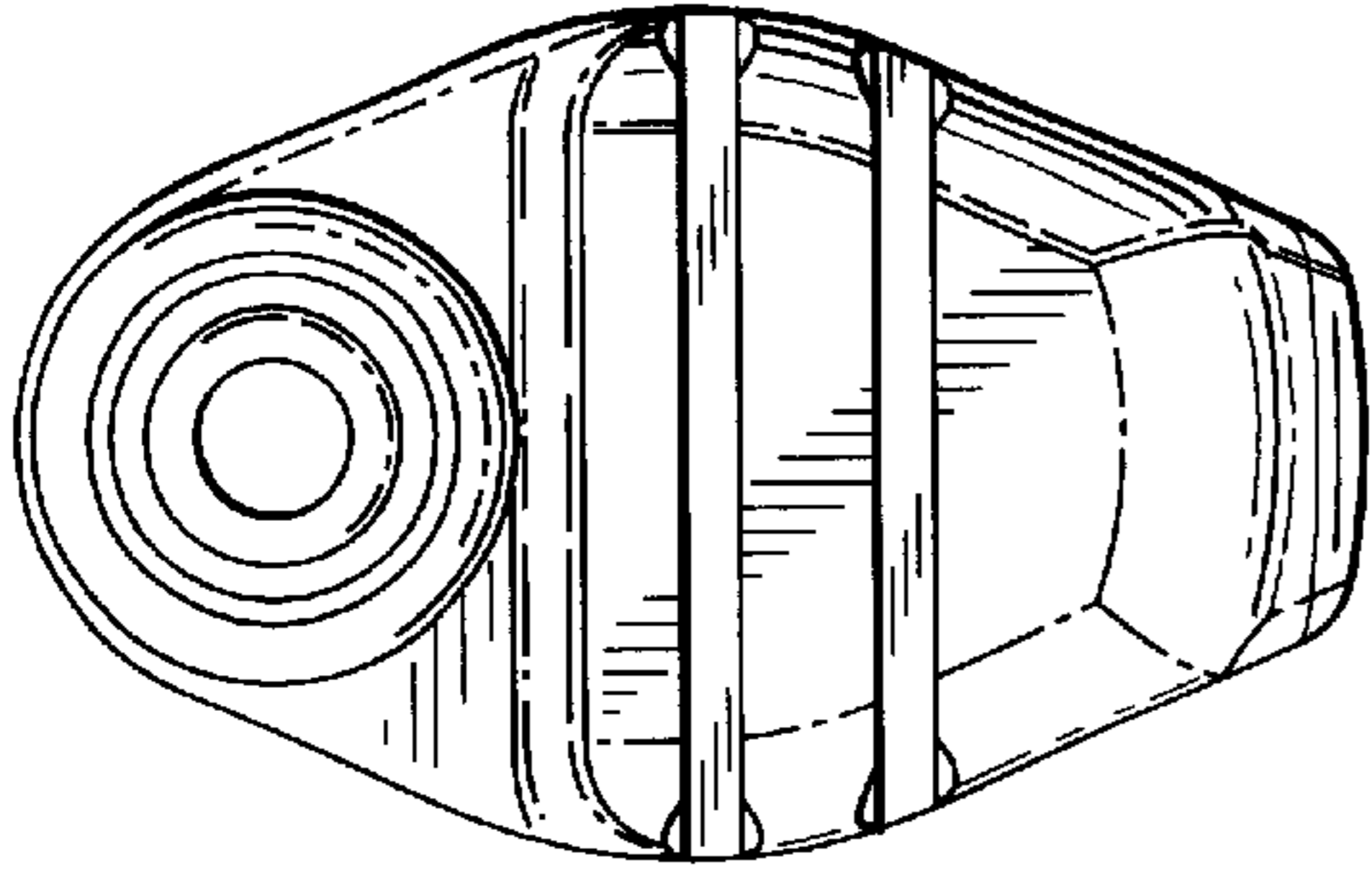




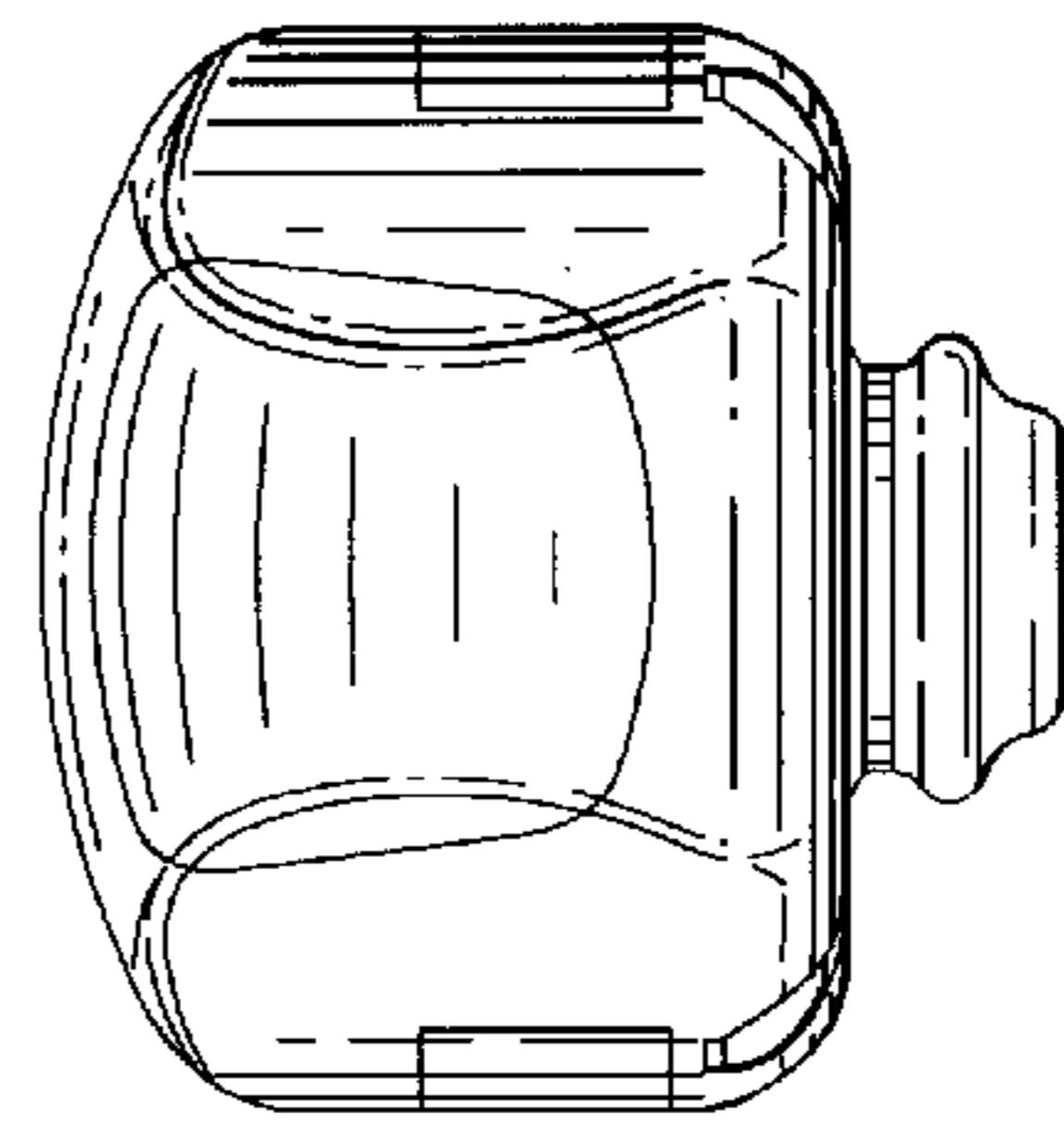
*Fig. 1*



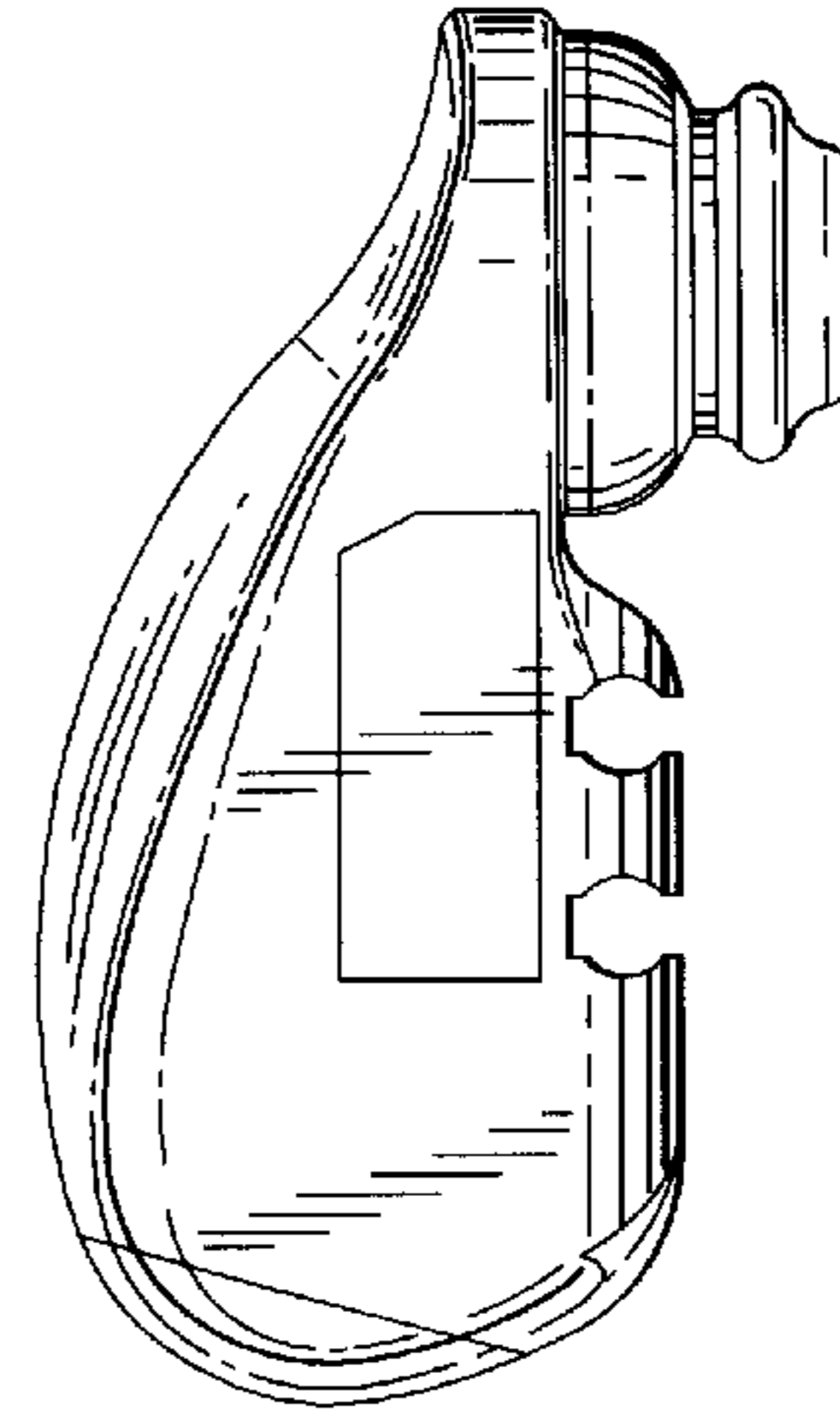
*Fig. 5*



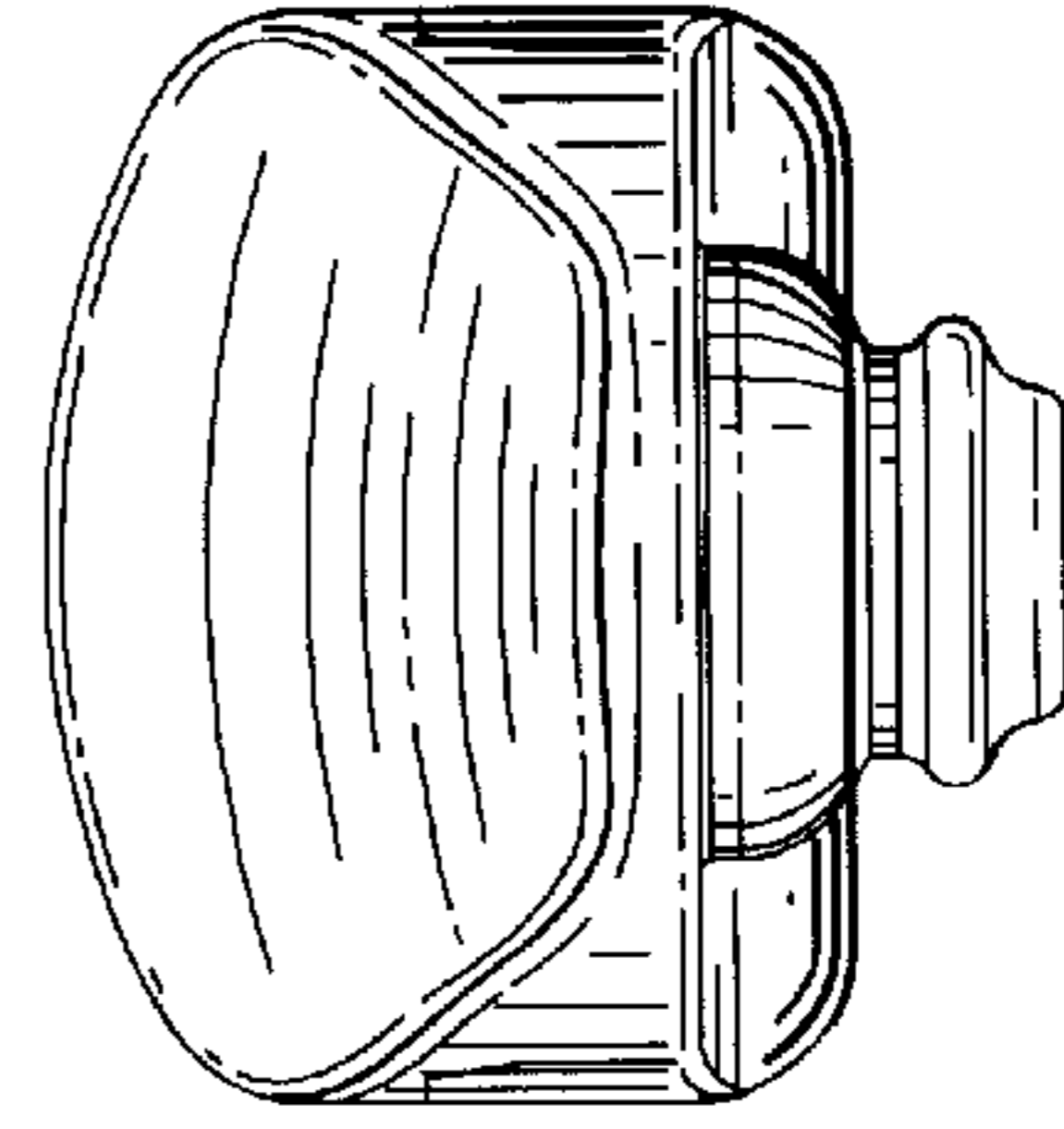
*Fig. 6*



*Fig. 3*



*Fig. 2*



*Fig. 4*