



US00D455833S

(12) **United States Design Patent**
Daftary

(10) **Patent No.:** **US D455,833 S**

(45) **Date of Patent:** **** Apr. 16, 2002**

(54) **ANATOMIC IMPLANT**

D401,694 S * 11/1998 Daftary D24/155
D411,009 S * 6/1999 Asfora D24/155

(76) Inventor: **Fereidoun Daftary**, 9001 Wilshire
Blvd., No. 205, Beverly Hills, CA (US)
90211

FOREIGN PATENT DOCUMENTS

(**) Term: **14 Years**

EP 0412845 * 2/1991 433/174

* cited by examiner

(21) Appl. No.: **29/090,617**

Primary Examiner—Louis S. Zarfes

Assistant Examiner—Gregory Andoll

(22) Filed: **Jul. 13, 1998**

(74) *Attorney, Agent, or Firm*—Thomas I. Rozsa; Tony D. Chen; Jerry Fong

Related U.S. Application Data

(57) **CLAIM**

(62) Division of application No. 29/063,182, filed on Dec. 2, 1996, now Pat. No. Des. 401,694.

The ornamental design for an anatomic implant, as shown and described.

(51) **LOC (7) Cl.** **24-03**

DESCRIPTION

(52) **U.S. Cl.** **D24/155**

(58) **Field of Search** D24/155, 176,
D24/231; 433/172-174, 181; D8/387

FIG. 1 is a perspective view of the anatomic implant, showing my new design;

FIG. 2 is a front elevational view thereof;

FIG. 3 is a rear elevational view thereof;

FIG. 4 is a left side elevational view, when viewed from FIG. 2;

(56) **References Cited**

U.S. PATENT DOCUMENTS

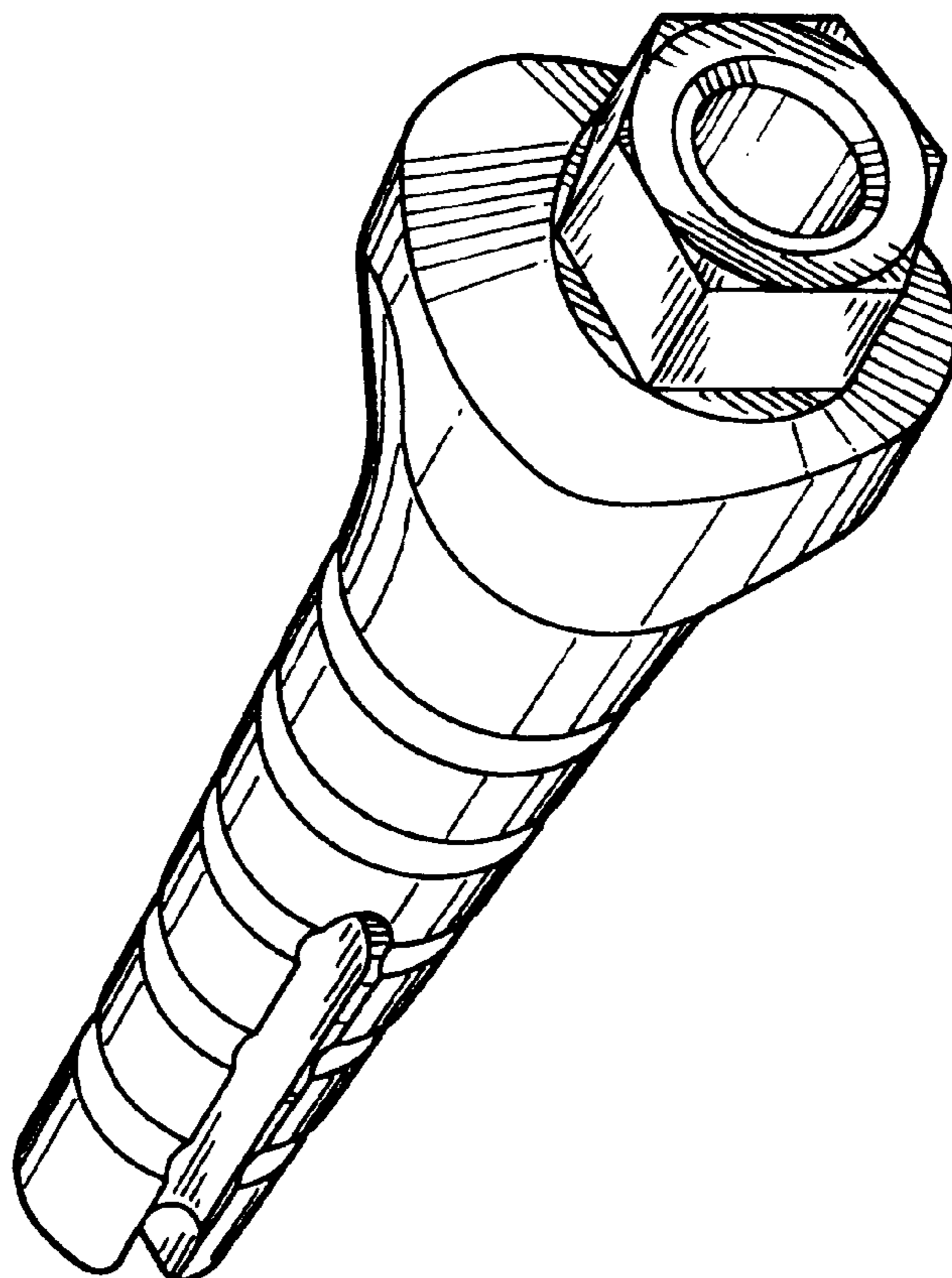
D227,442 S * 6/1973 Ebi D8/387
5,000,686 A * 3/1991 Lazzara et al. 433/174
5,312,254 A * 5/1994 Rosenlicht 433/173
5,417,568 A * 5/1995 Giglio 433/173
5,516,288 A * 5/1996 Sichler et al. 433/173
5,662,475 A * 9/1997 Mena 433/172
5,759,034 A * 6/1998 Daftary 433/173

FIG. 5 is a right side elevational view, when viewed from FIG. 2;

FIG. 6 is a top plan view thereof; and,

FIG. 7 is a bottom plan view thereof.

1 Claim, 2 Drawing Sheets



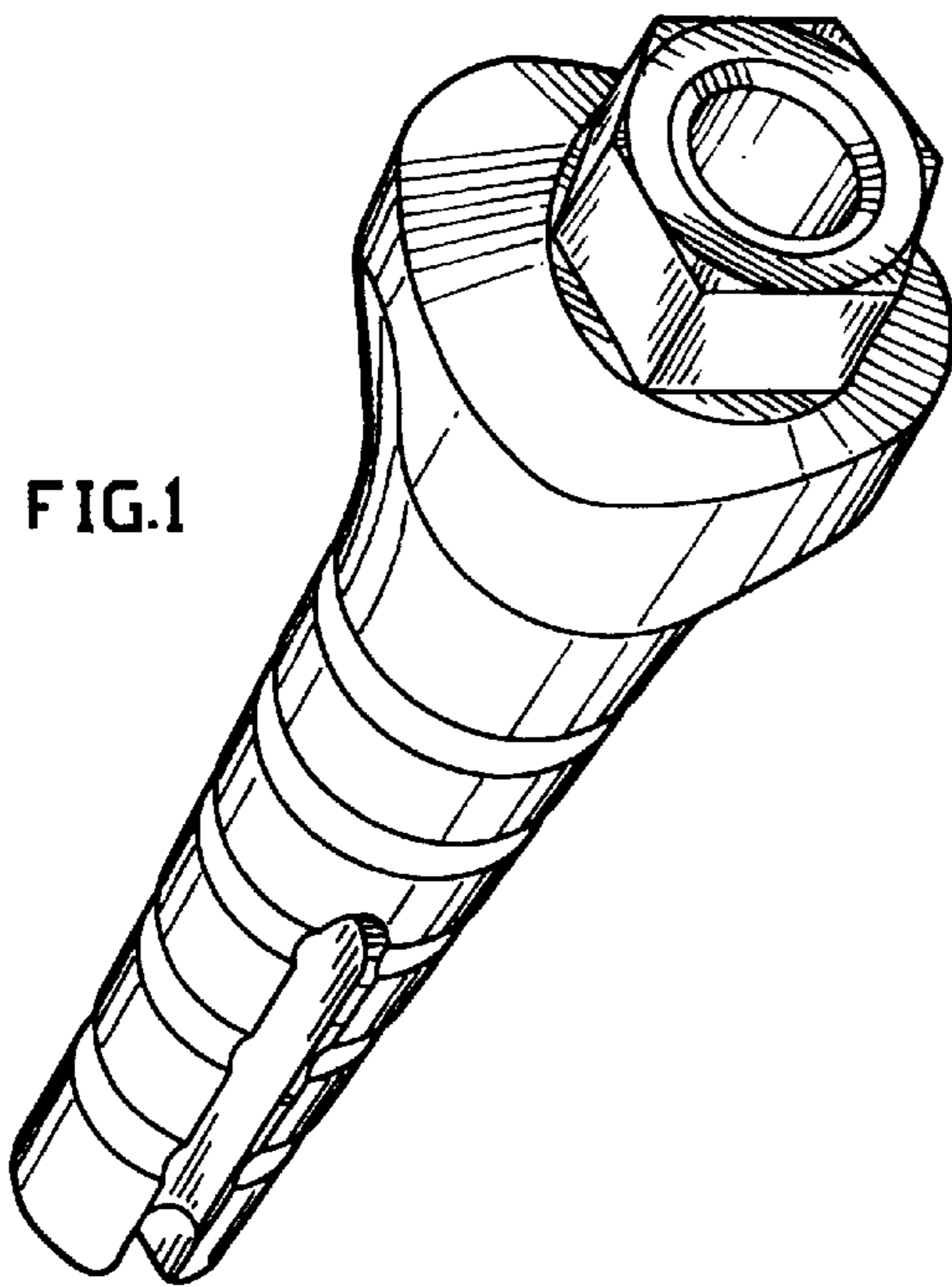


FIG.1

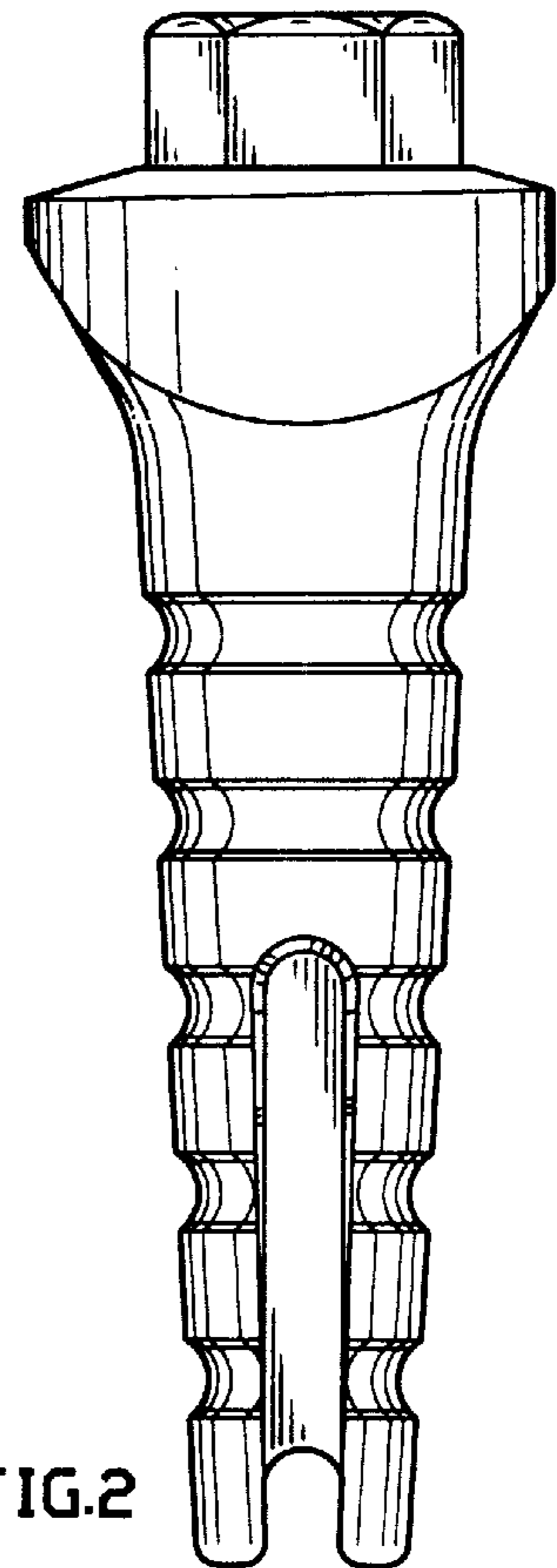


FIG.2

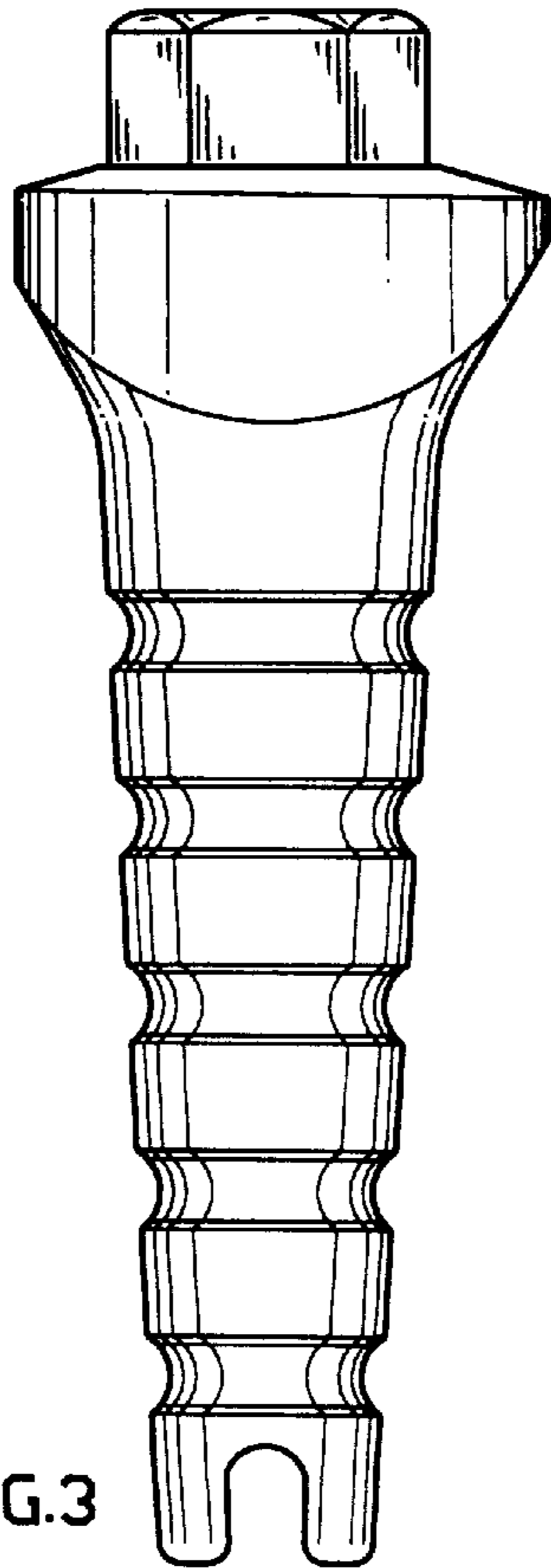


FIG.3

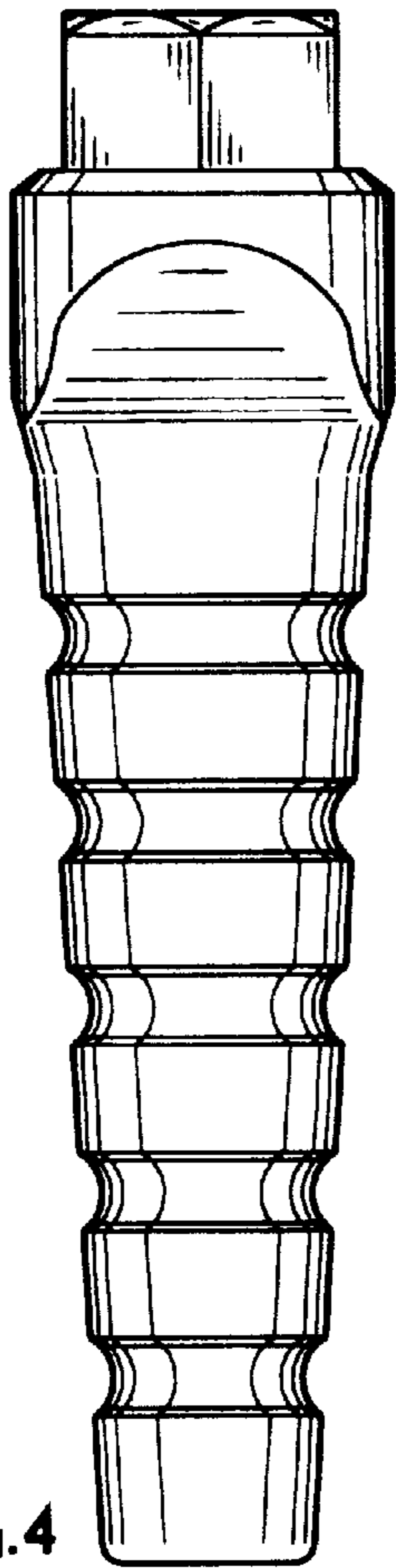


FIG. 4

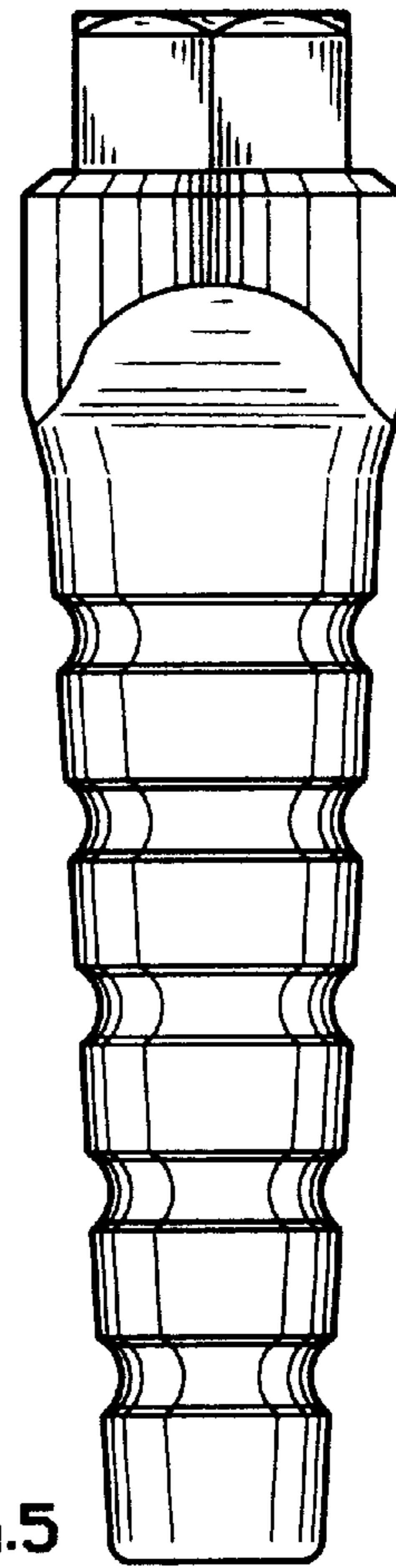


FIG. 5

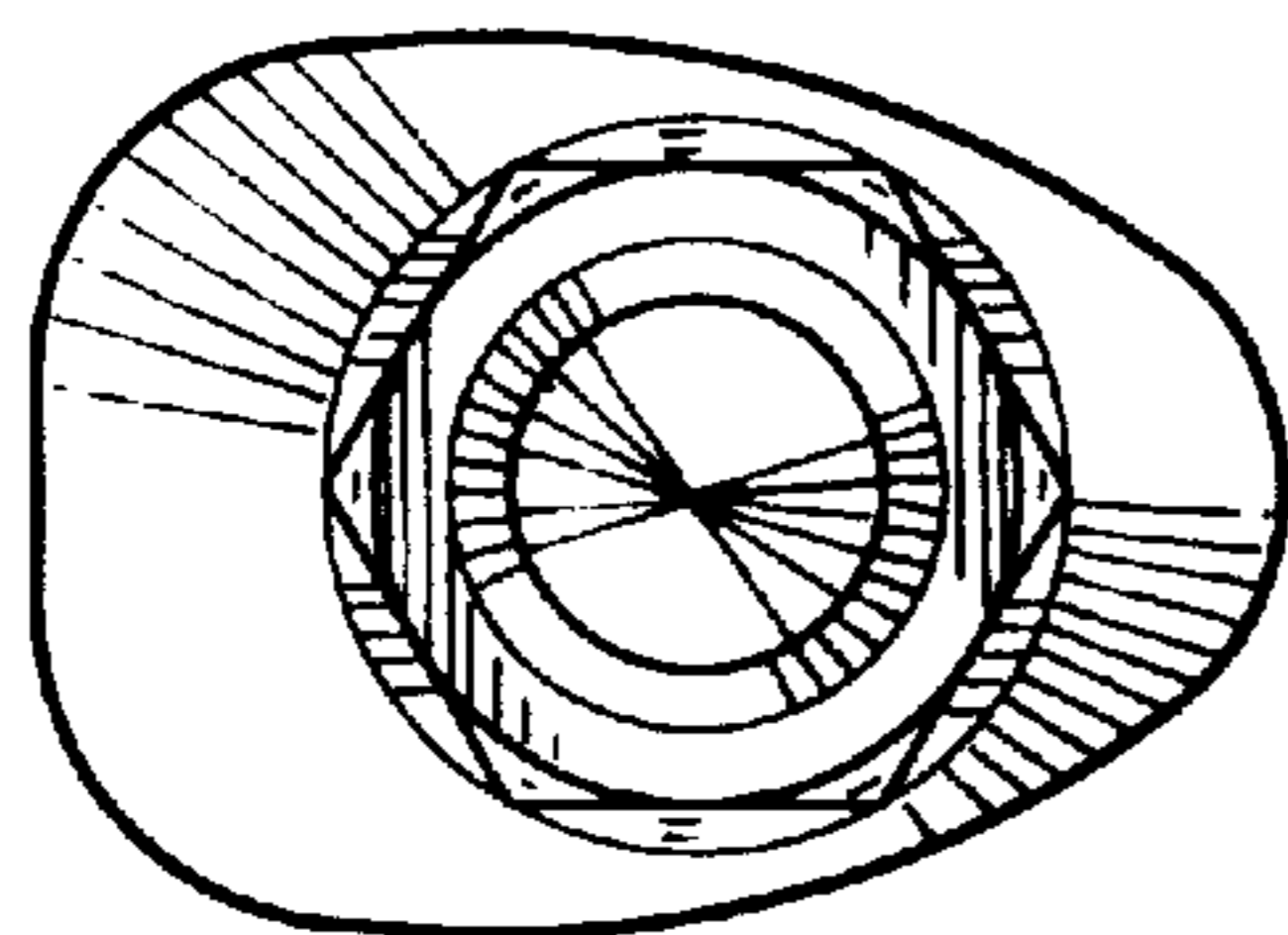


FIG. 6

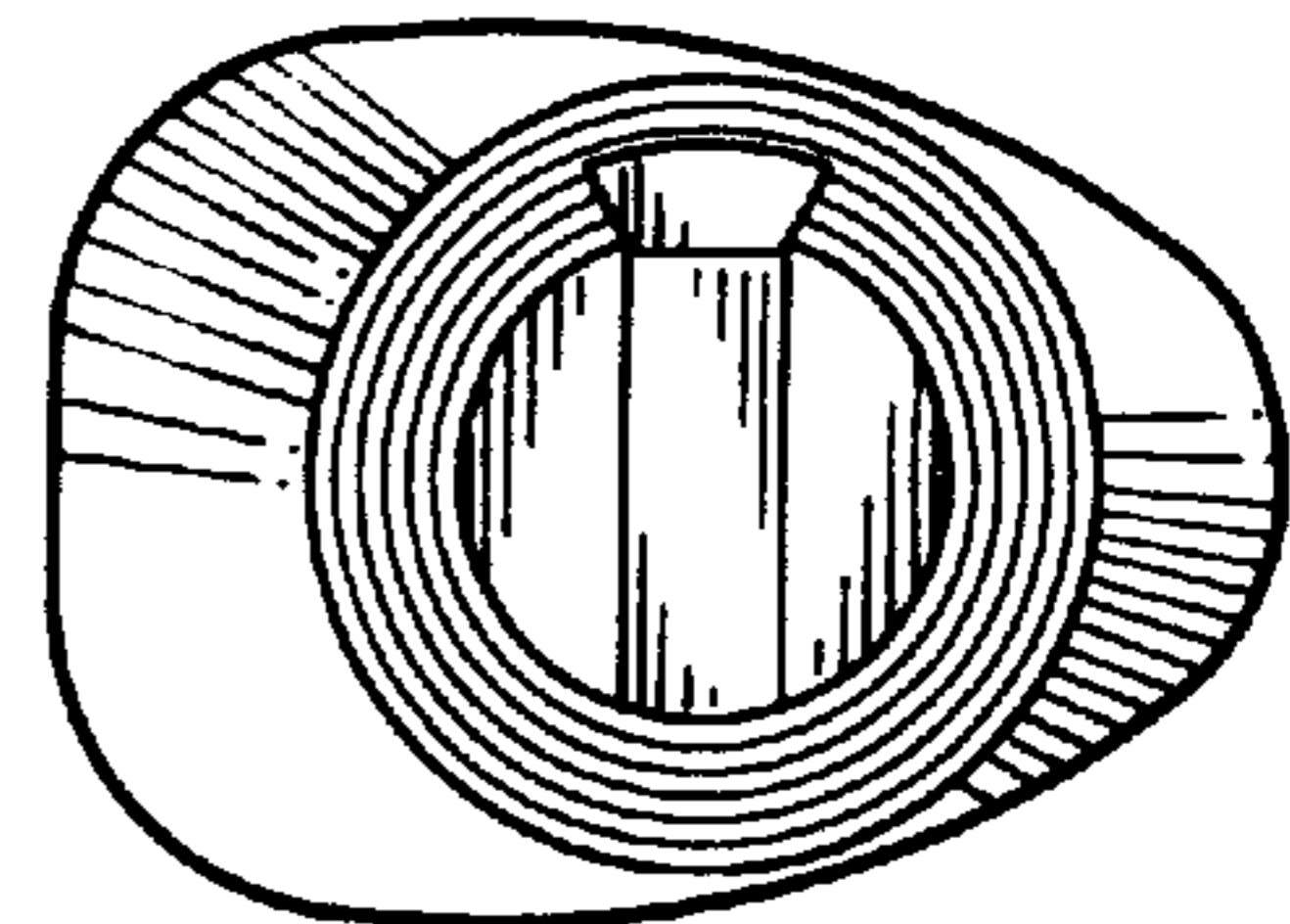


FIG. 7