



US00D455831S

(12) **United States Design Patent**  
**Koros et al.**

(10) **Patent No.:** **US D455,831 S**

(45) **Date of Patent:** **\*\* Apr. 16, 2002**

(54) **SWIFT CLAMP**

(76) **Inventors: Tibor B. Koros; Gabriel J. Koros,**  
both of 610 Flinn Ave., Moorpark, CA  
(US) 93021

(\*\*) **Term: 14 Years**

(21) **Appl. No.: 29/142,036**

(22) **Filed: May 18, 2001**

(51) **LOC (7) Cl. .... 24-02**

(52) **U.S. Cl. .... D24/135; D24/128**

(58) **Field of Search .... D24/135, 128,**  
D24/127; D8/72, 71, 394; 600/228, 201,  
229, 227, 231, 219, 230, 232; 248/541,  
516

(56) **References Cited**

**U.S. PATENT DOCUMENTS**

3,046,072 A \* 7/1962 Douglass, Jr. et al. .... 600/228  
4,421,108 A \* 12/1983 Cabrera et al. .... 600/234  
5,755,660 A \* 5/1998 Tyagi ..... 600/205

D397,791 S \* 9/1998 Koros et al. .... D24/135  
5,865,730 A \* 2/1999 Fox et al. .... 600/228  
5,893,831 A \* 4/1999 Koros et al. .... 600/232  
6,042,542 A \* 3/2000 Koros et al. .... 600/231  
D438,966 S \* 3/2001 Koros et al. .... D24/135  
D443,056 S \* 5/2001 Koros et al. .... D24/135

\* cited by examiner

*Primary Examiner*—Ian Simmons

(57) **CLAIM**

The ornamental design for a swift clamp, substantially as shown and described.

**DESCRIPTION**

FIG. 1 is a perspective view of a swift clamp invention showing our new design.

FIG. 2 is a front view thereof.

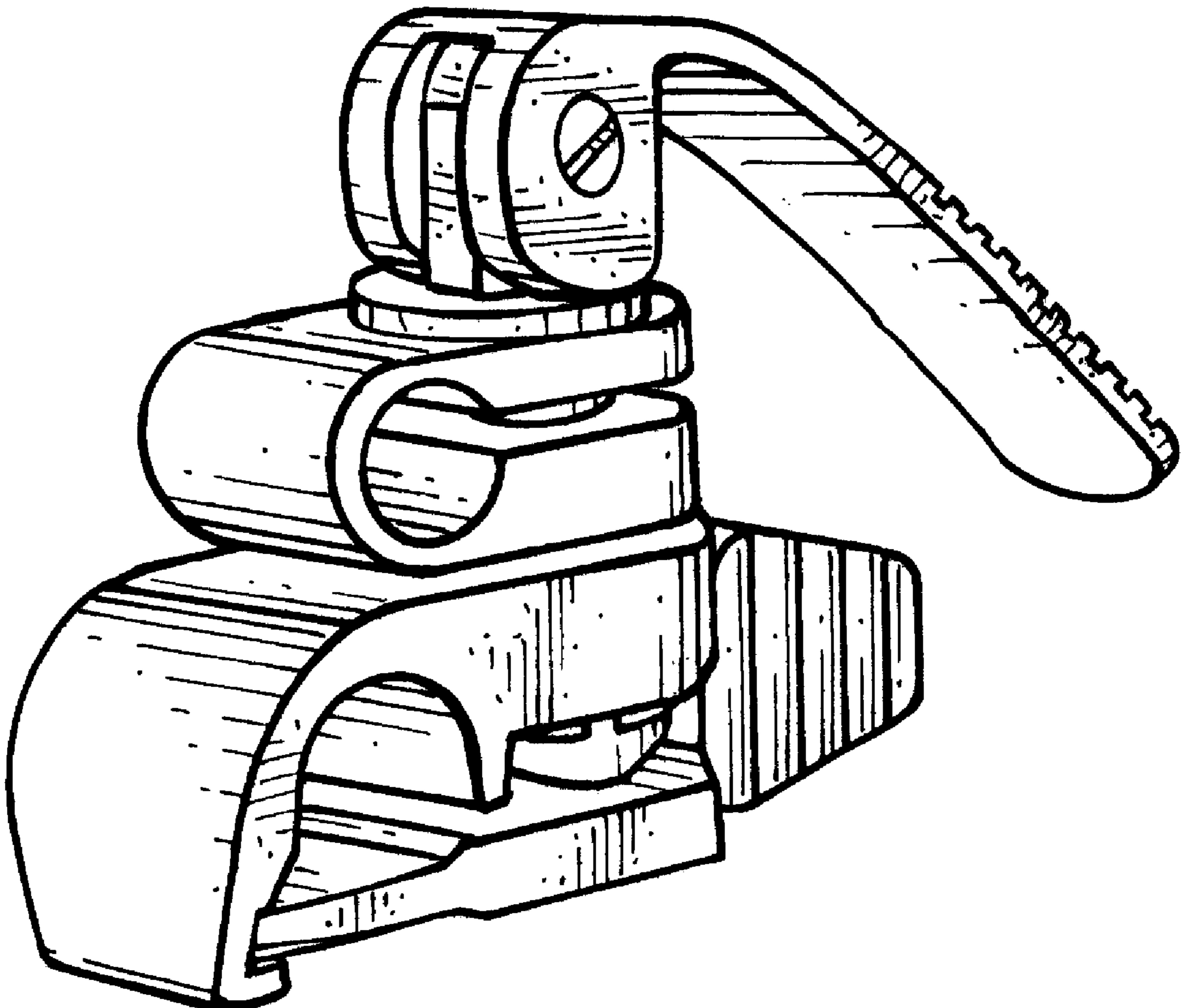
FIG. 3 is a right side view thereof.

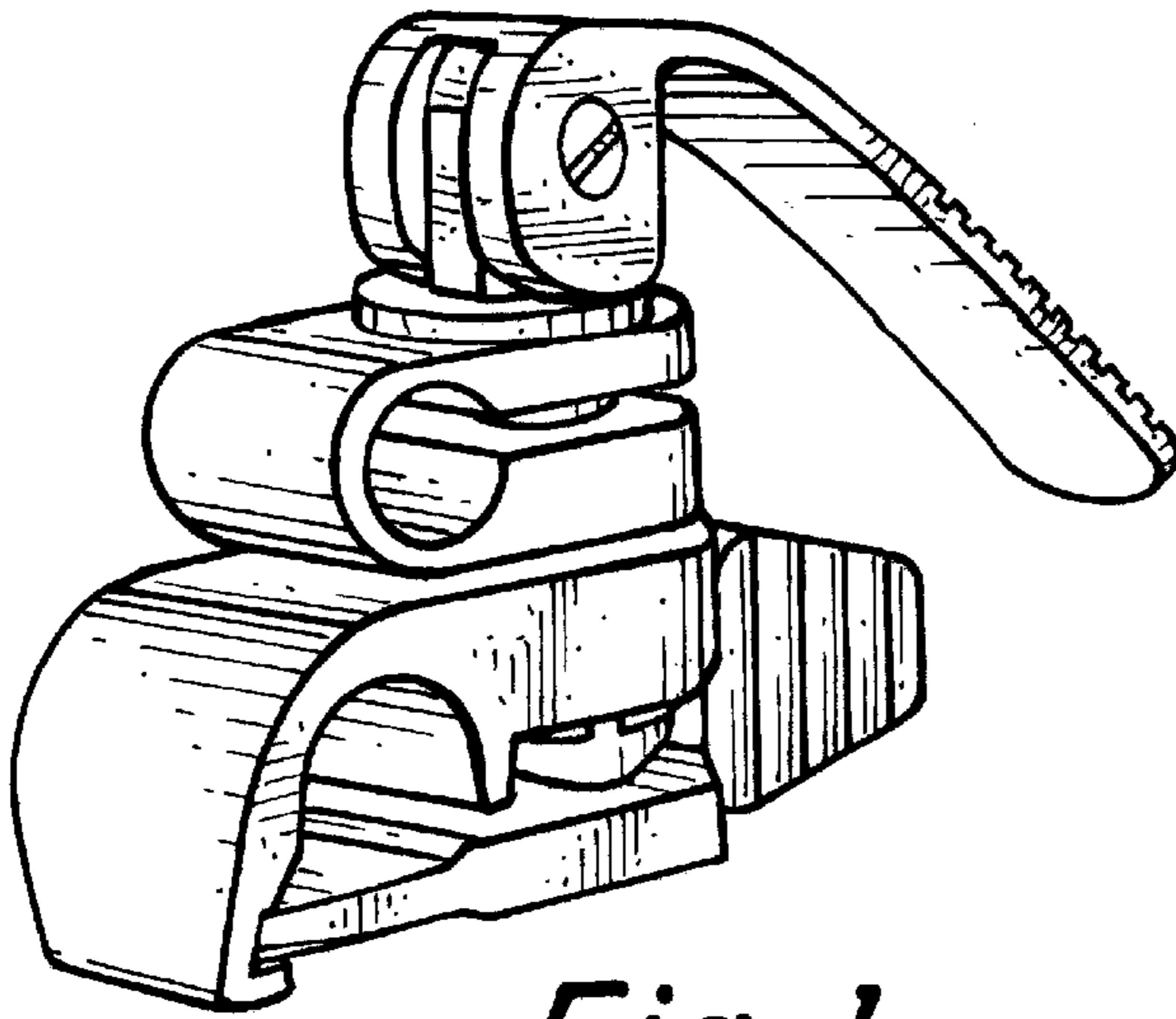
FIG. 4 is a rear view thereof.

FIG. 5 is a top plan view thereof; and,

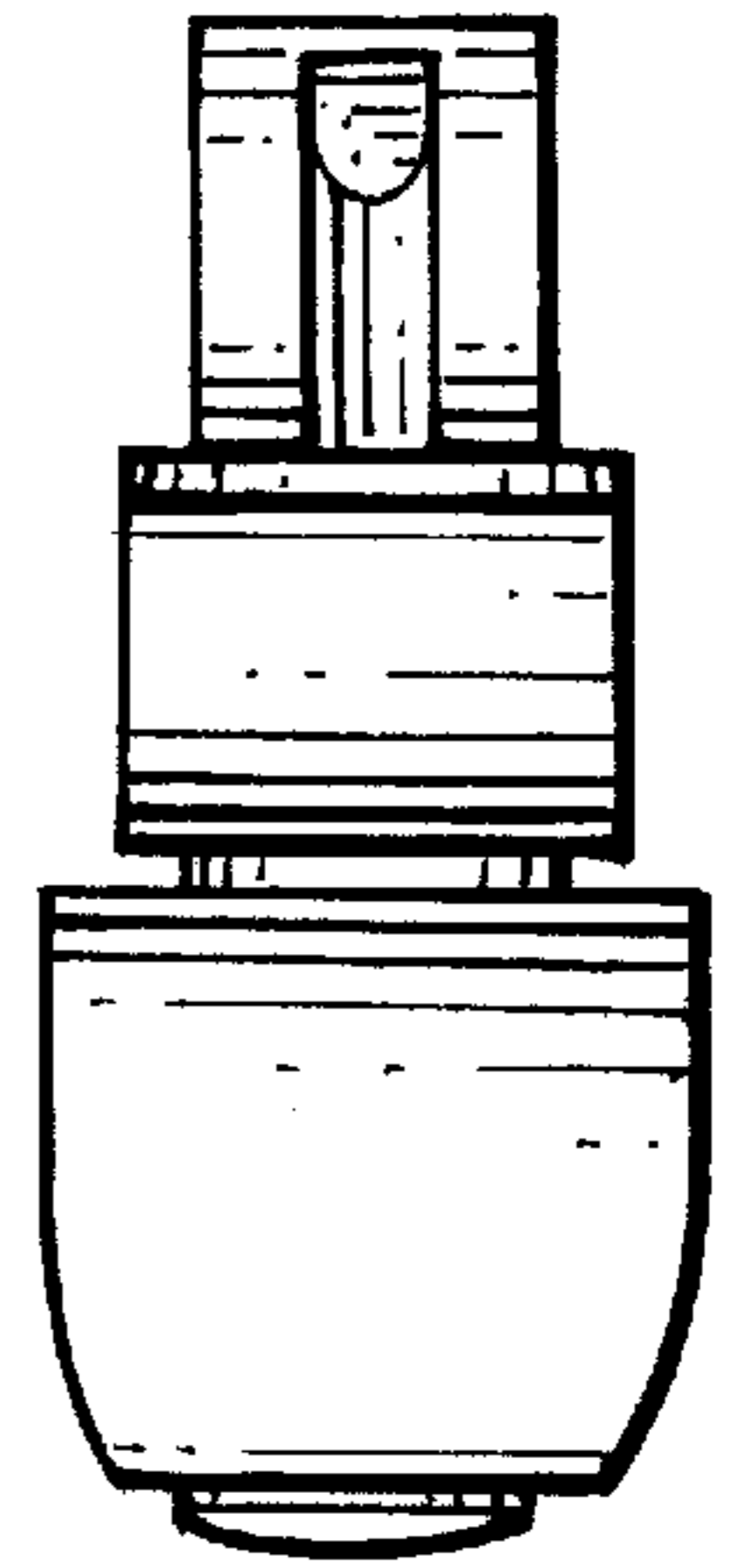
FIG. 6 is a bottom plan view thereof.

**1 Claim, 1 Drawing Sheet**

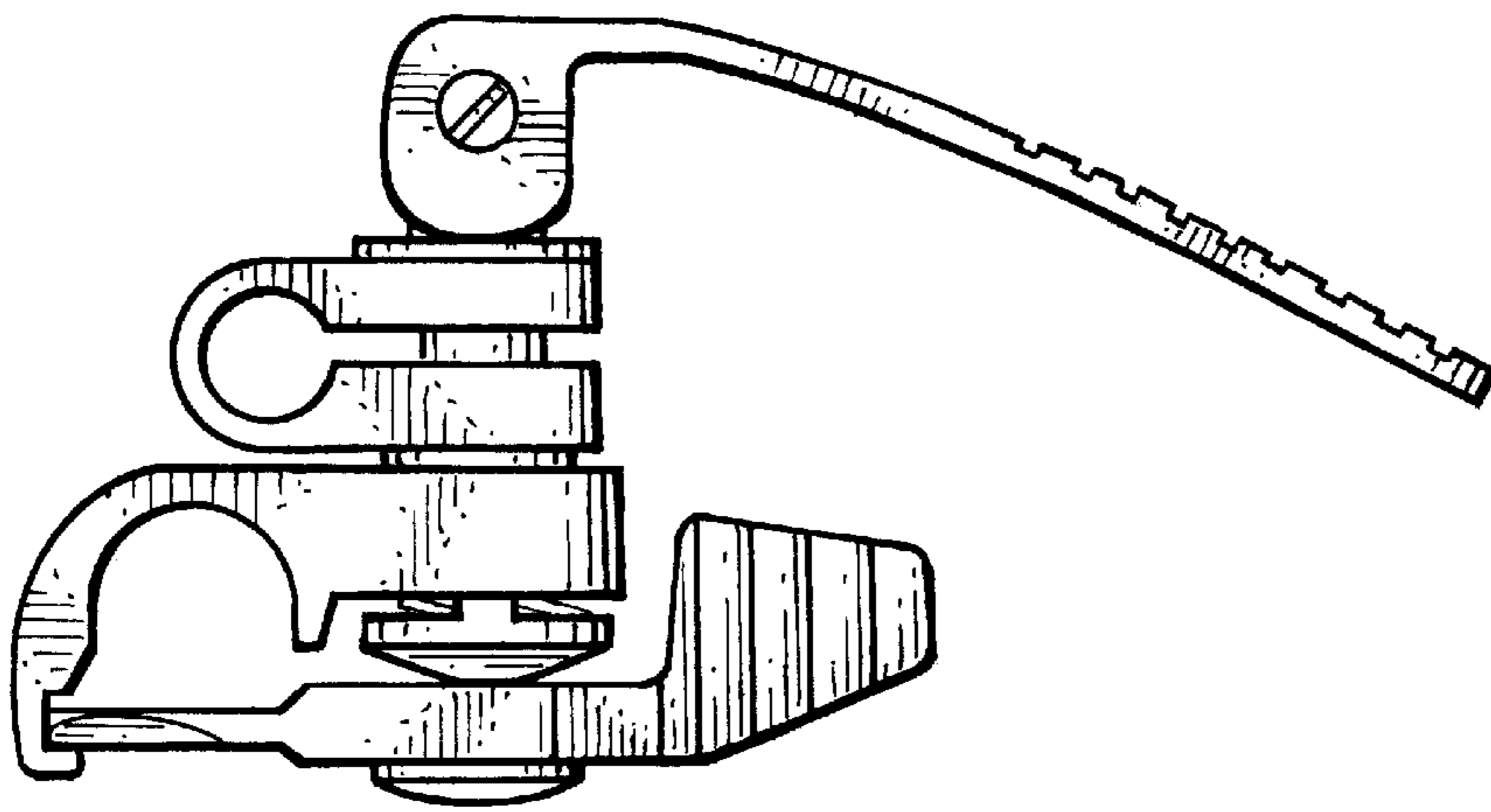




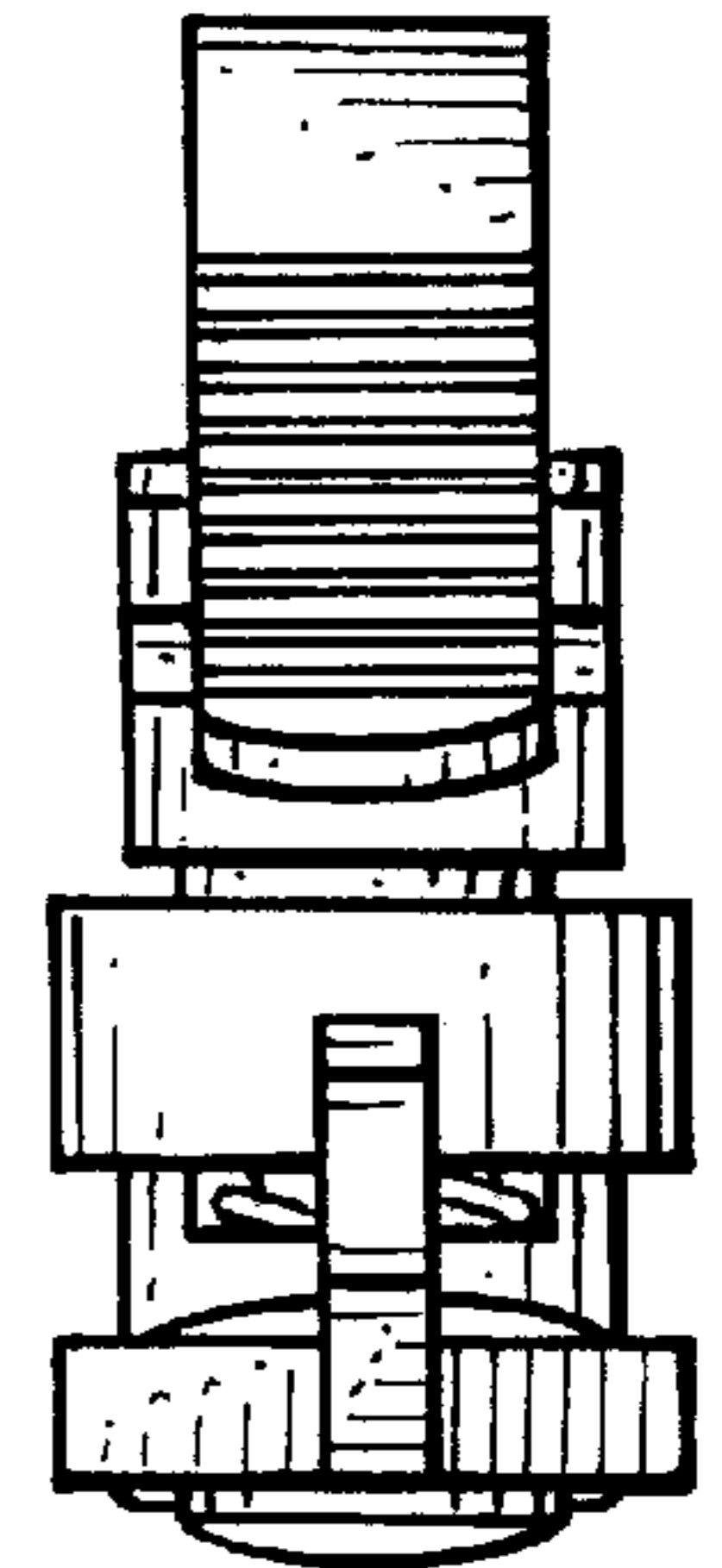
*Fig. 1.*



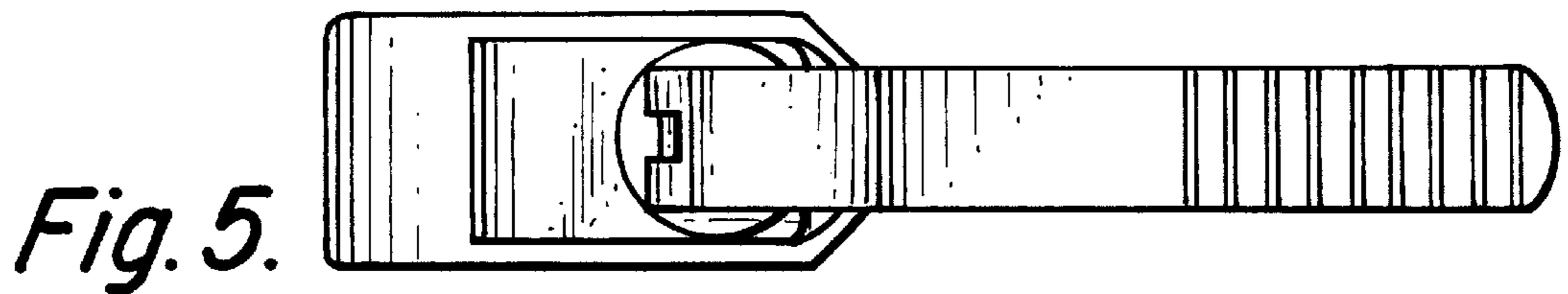
*Fig. 2.*



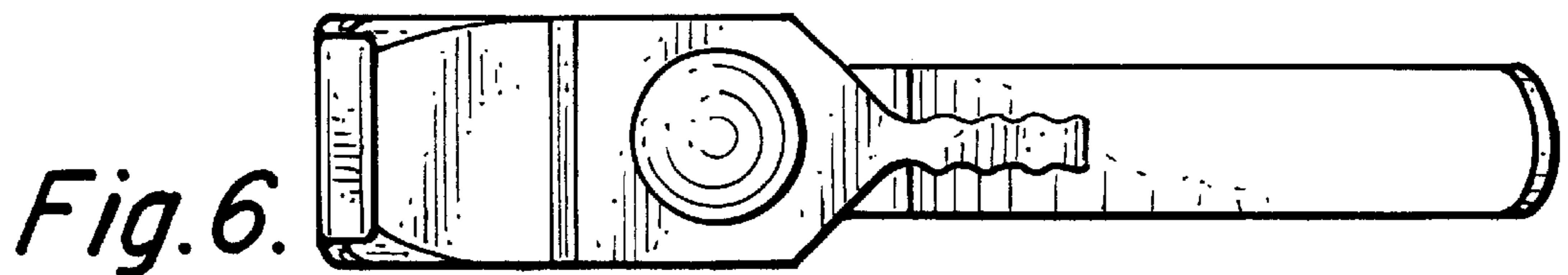
*Fig. 3.*



*Fig. 4.*



*Fig. 5.*



*Fig. 6.*