



US00D455826S

(12) **United States Design Patent**
Gillingham et al.

(10) **Patent No.:** **US D455,826 S**
(45) **Date of Patent:** **** Apr. 16, 2002**

(54) **FILTER APPARATUS**

DESCRIPTION

(75) Inventors: **Gary Gillingham**, Prior Lake; **Randy Engelland**, Farmington, both of MN (US)

(73) Assignee: **Donaldson Company, Inc.**, Minneapolis, MN (US)

(**) Term: **14 Years**

(21) Appl. No.: **29/114,795**

(22) Filed: **Dec. 1, 1999**

(51) **LOC (7) Cl.** **23-04**

(52) **U.S. Cl.** **D23/365**

(58) **Field of Search** 55/495; D23/365

(56) **References Cited**

U.S. PATENT DOCUMENTS

4,364,751 A	12/1982	Copley	
5,512,074 A *	4/1996	Hanni et al.	55/484
5,683,479 A	11/1997	Gillingham et al.	
6,113,674 A	9/2000	Graham et al.	

* cited by examiner

Primary Examiner—Lisa Lichtenstein

(74) *Attorney, Agent, or Firm*—Merchant & Gould P.C.

(57) **CLAIM**

The ornamental design for filter apparatus, as shown and described.

FIG. 1 is a perspective view of a first embodiment of a filter apparatus, according to the present invention;

FIG. 2 is a side elevational view of the filter apparatus of FIG. 1; the opposite side elevational view being identical thereto;

FIG. 3 is a bottom plan view of the filter apparatus of FIG. 1;

FIG. 4 is a top plan view of the filter apparatus of FIG. 1;

FIG. 5 is an end elevational view of the filter apparatus of FIG. 1; the opposite end elevational view being identical thereto;

FIG. 6 is a perspective view of a second embodiment of a filter apparatus, according to the present invention;

FIG. 7 is an end elevational view of the filter apparatus of FIG. 6; the opposite end elevational view being identical thereto; and,

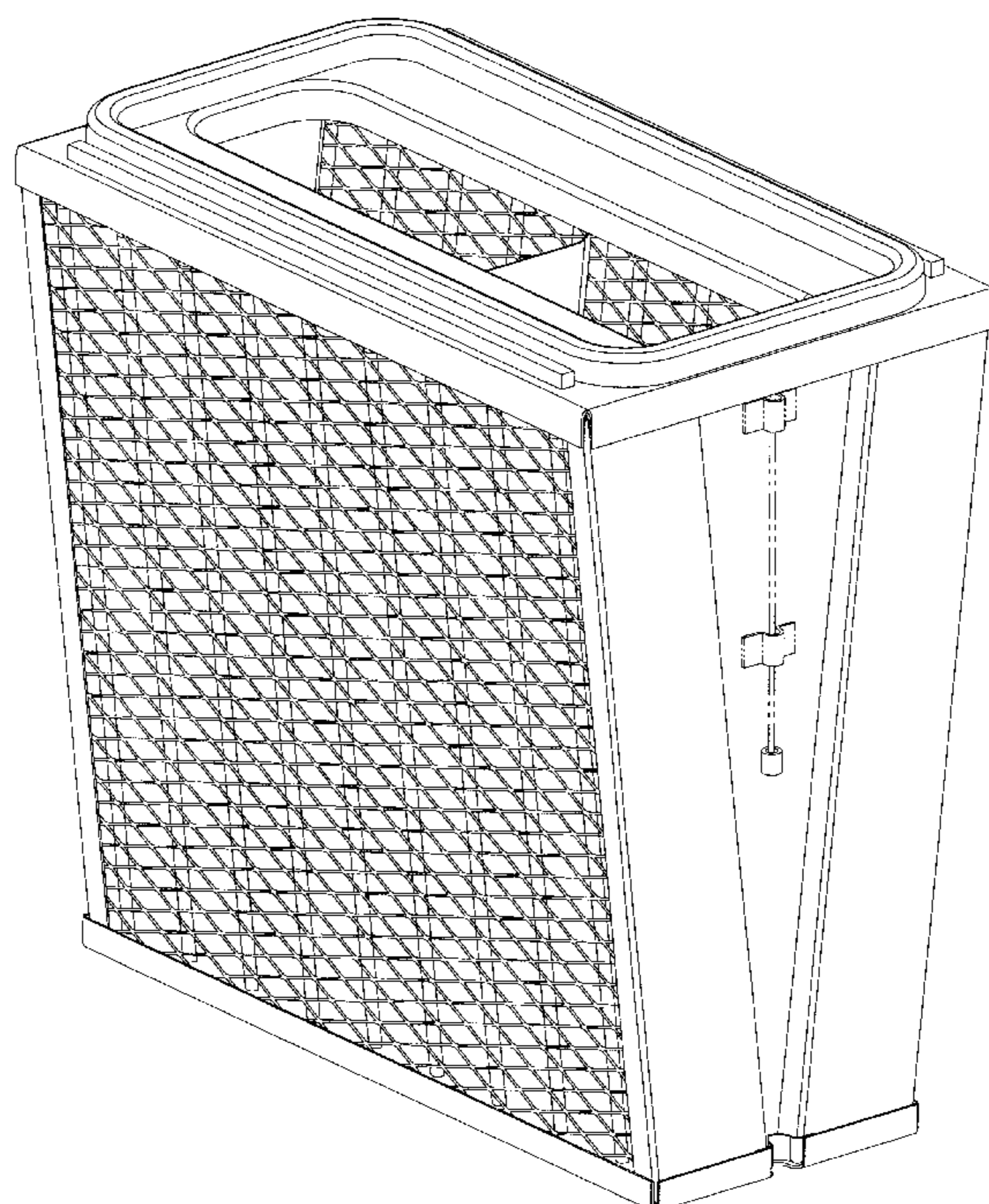
FIG. 8 is a bottom plan view of the filter apparatus of FIG. 6.

The top plan view is identical in appearance to the filter apparatus of FIG. 4.

The side elevational view is identical in appearance to the filter apparatus of FIG. 2.

The sole difference between the two embodiments resides in the appearance of a notch at the top and in the second embodiment. The broken line showing of environmental structure is for illustrative purposes only and forms no part of the claimed design.

1 Claim, 8 Drawing Sheets



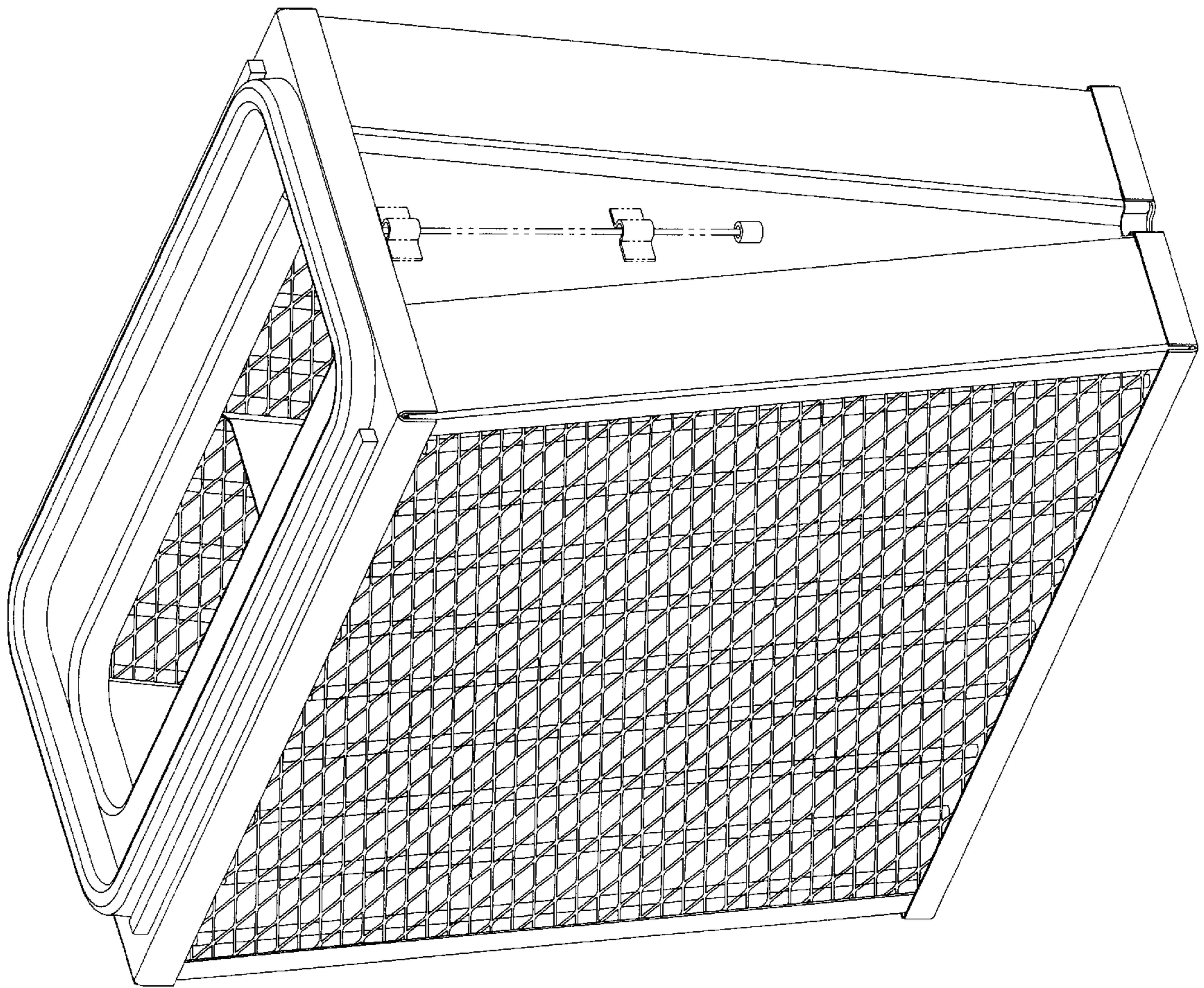


FIG. 1

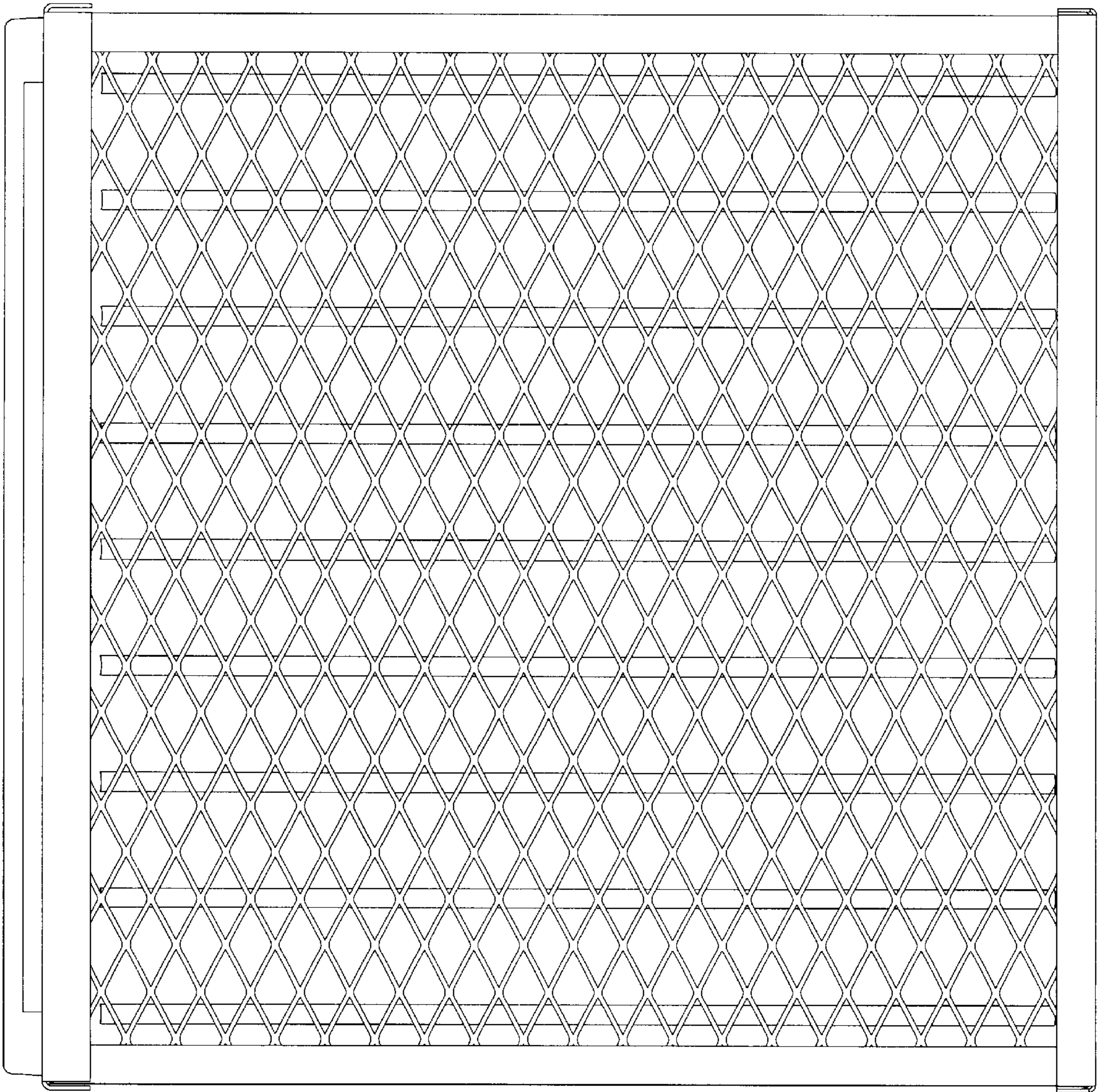
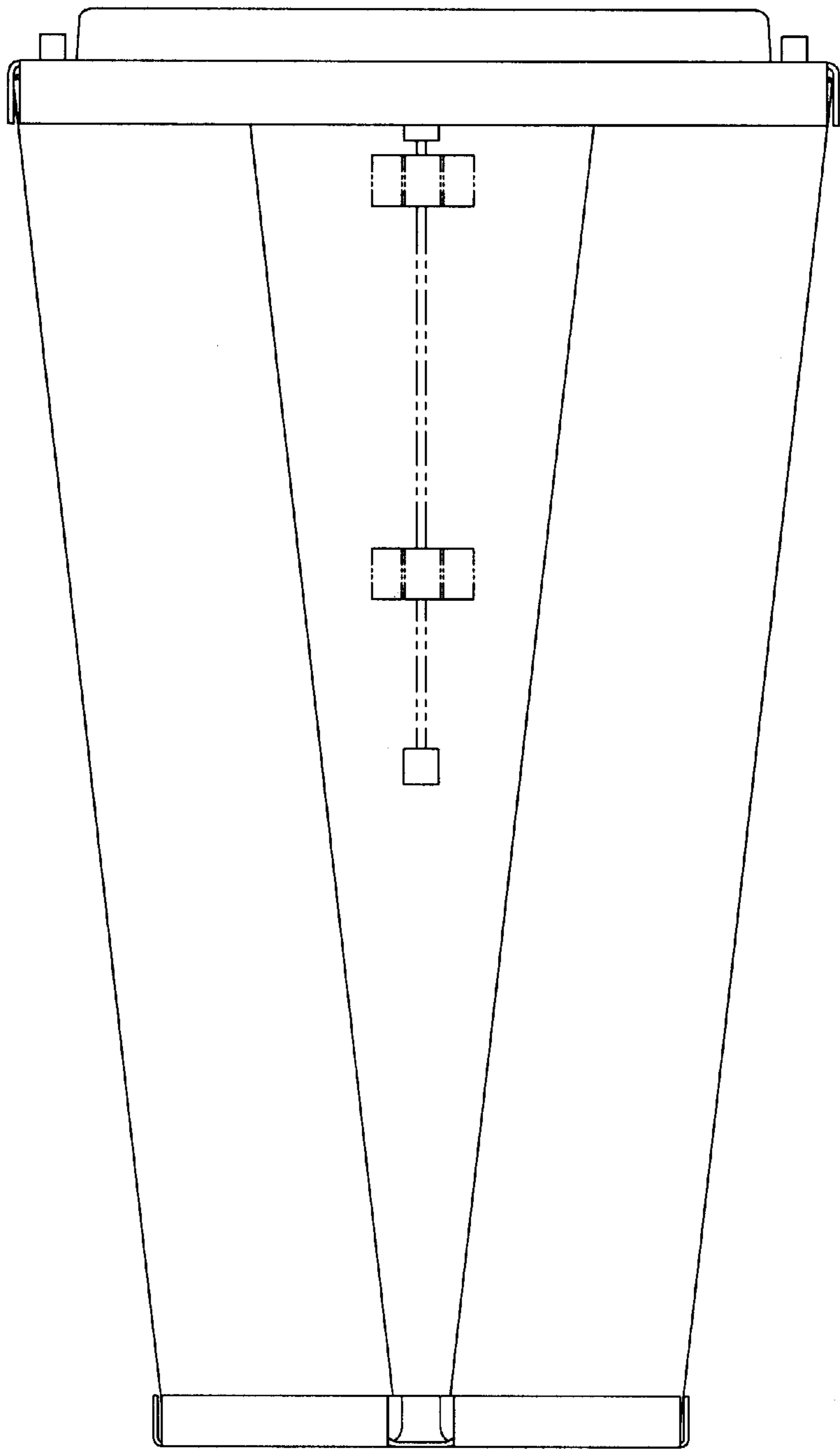


FIG. 2

FIG. 3



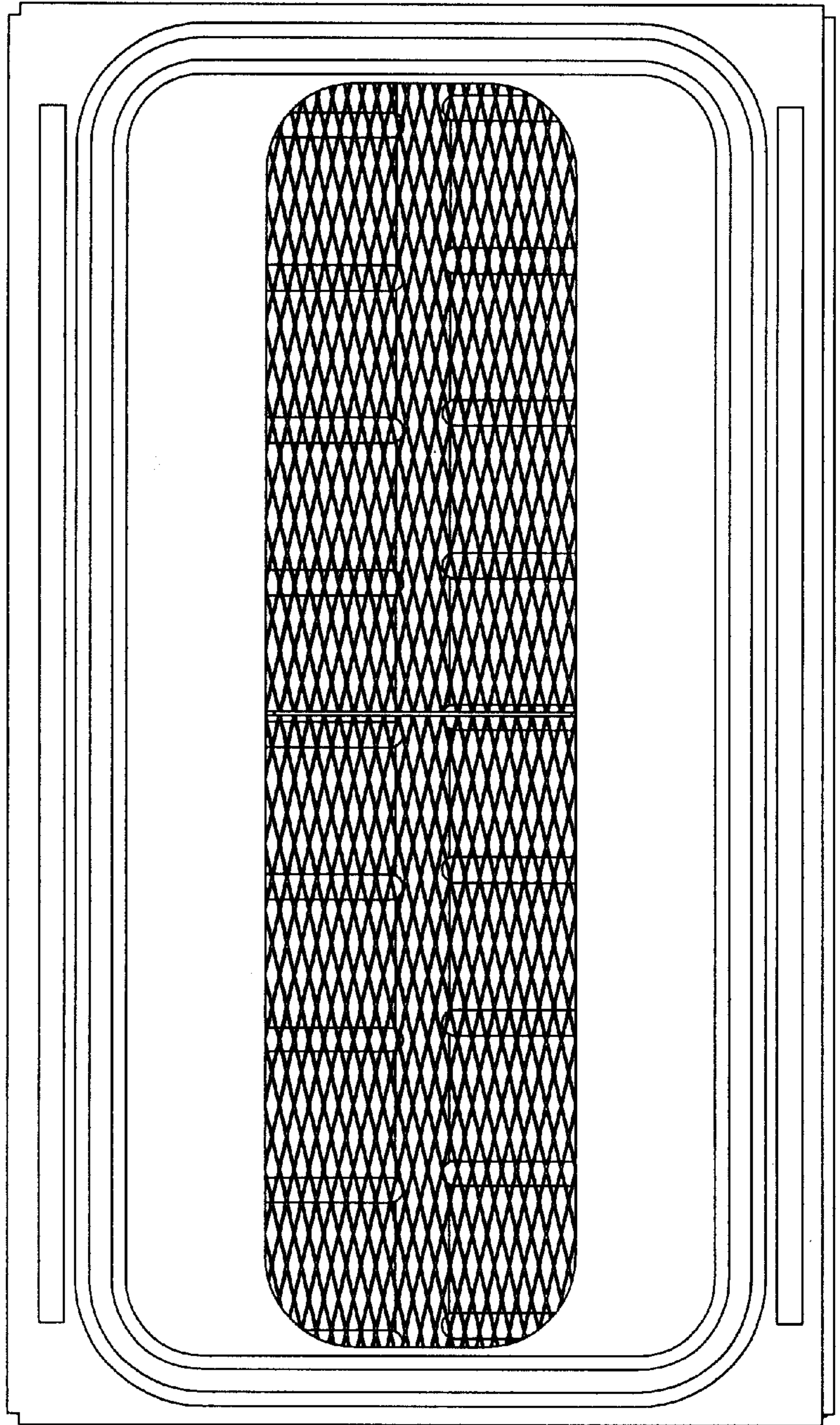


FIG. 4

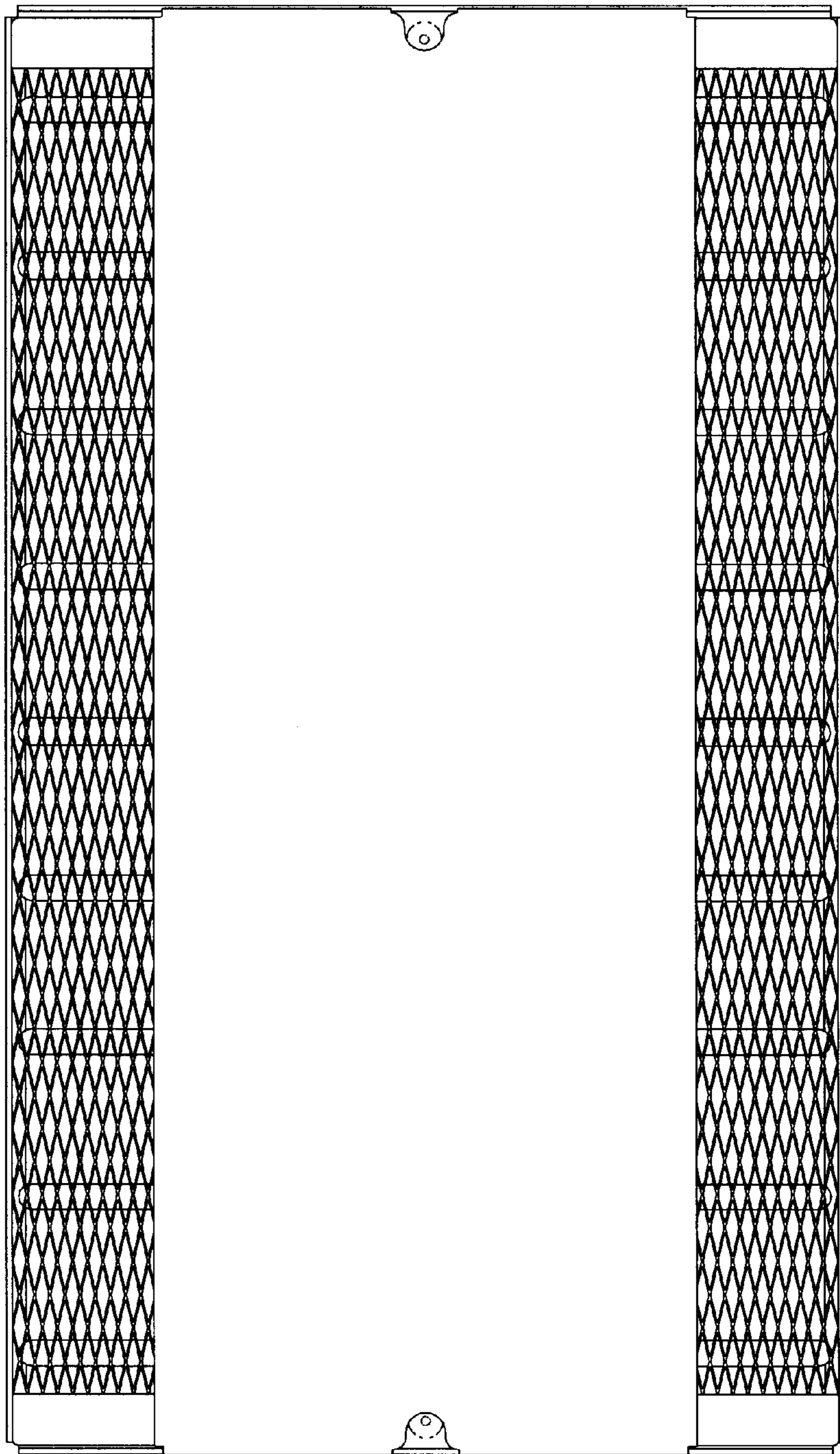


FIG. 5

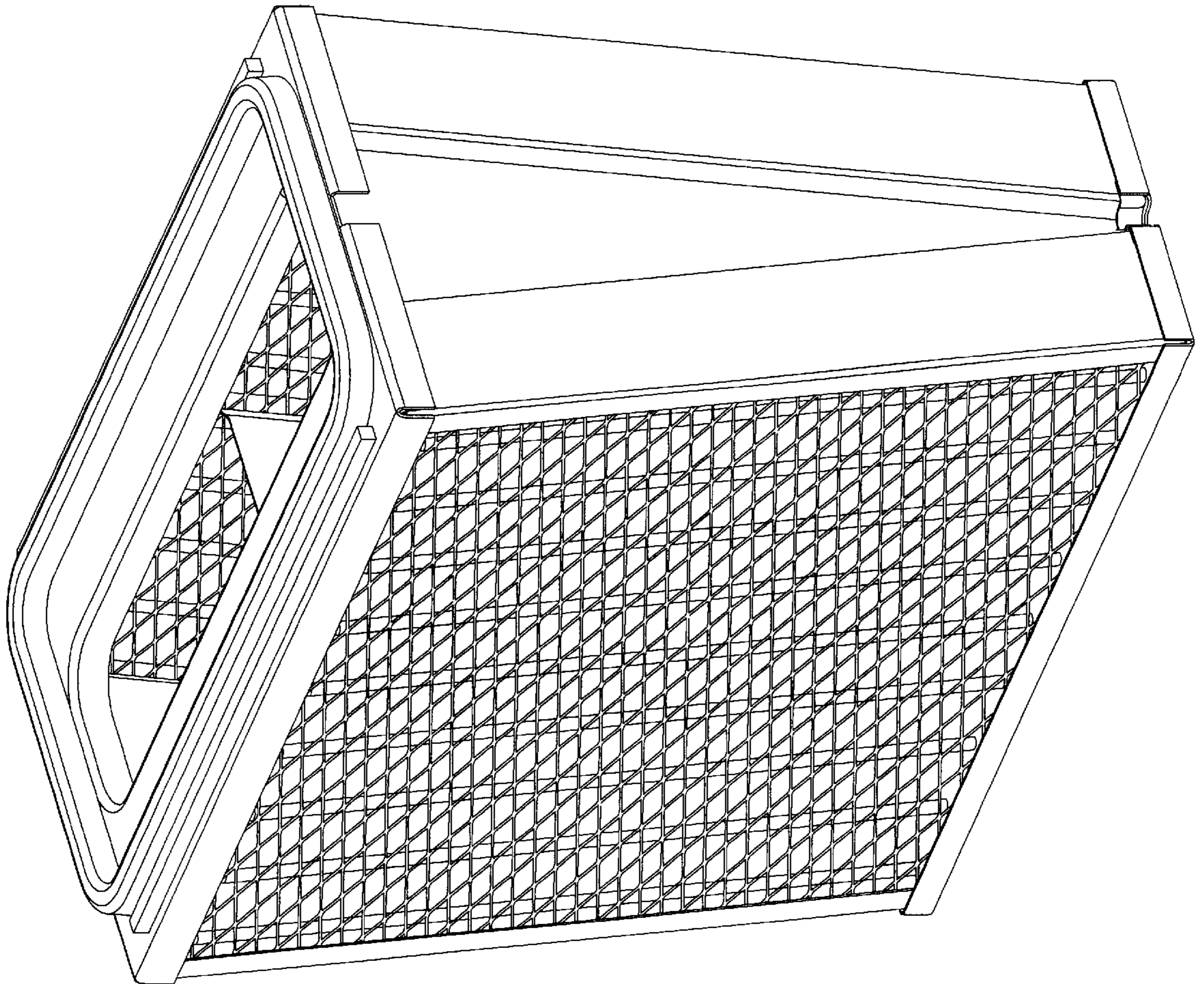
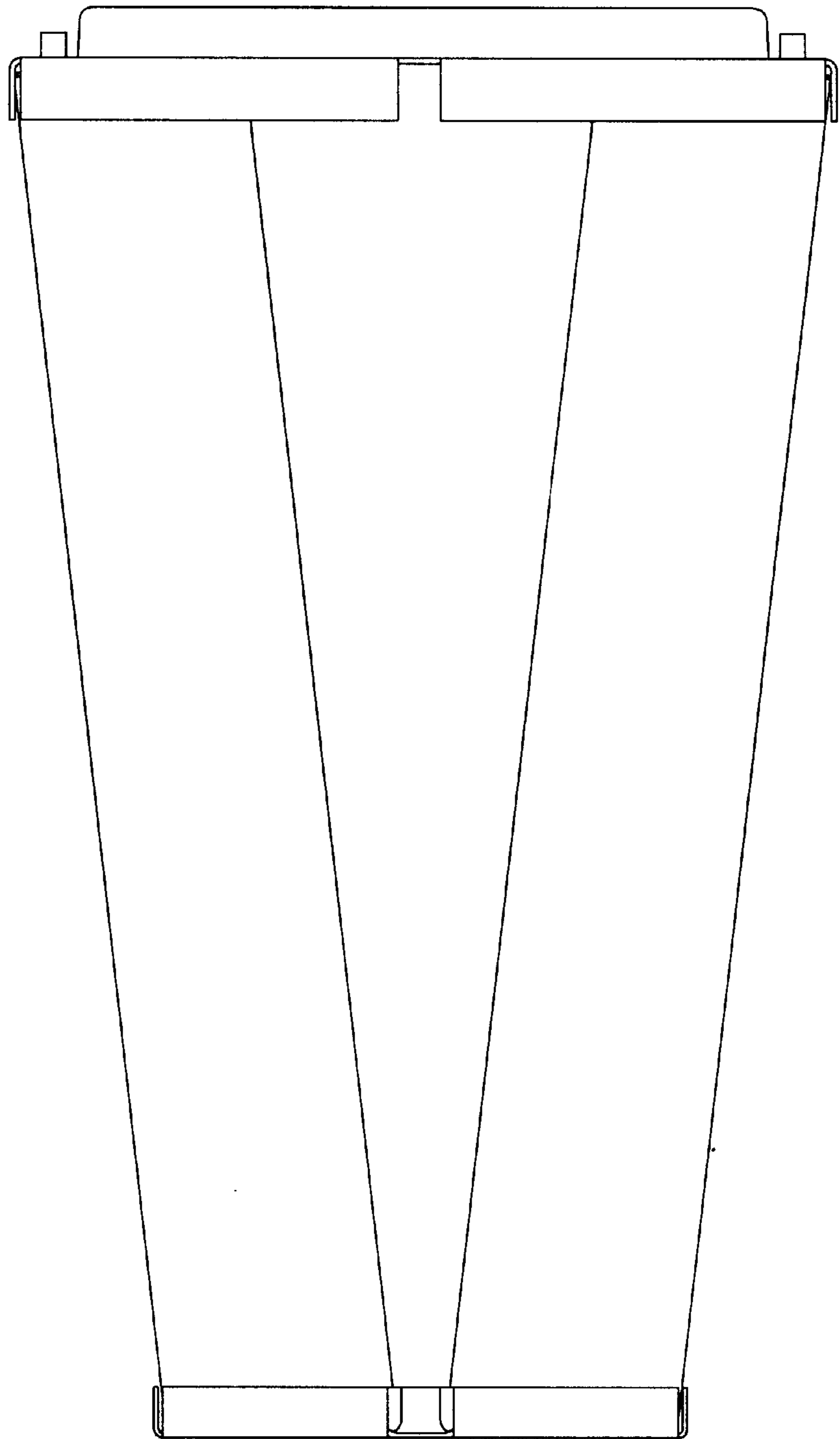


FIG. 6

FIG. 7



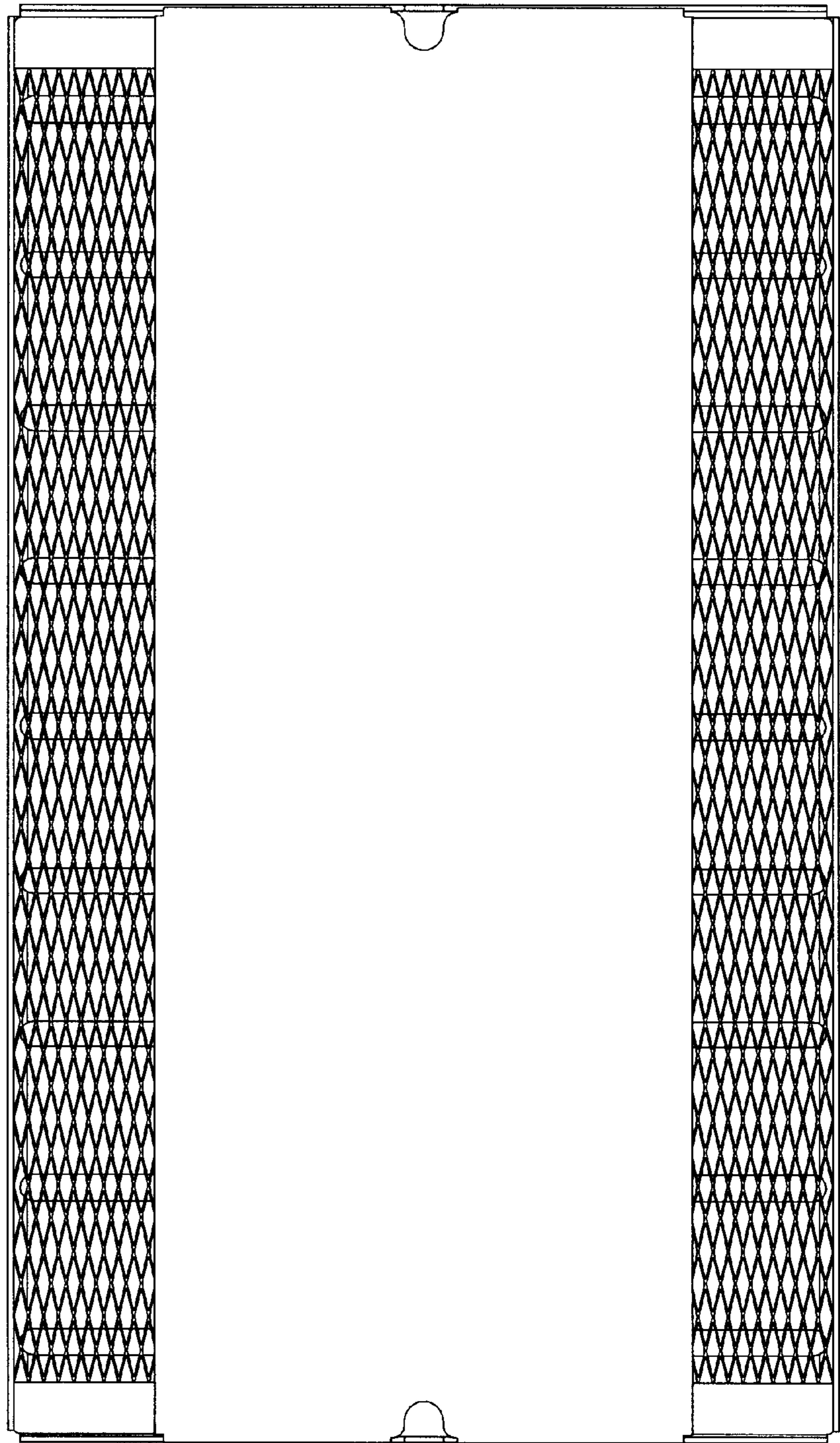


FIG. 8