



US00D455822S

(12) **United States Design Patent**
McKeone

(10) **Patent No.:** **US D455,822 S**

(45) **Date of Patent:** **** Apr. 16, 2002**

(54) **WATER CLOSET**

(75) **Inventor:** **William C. McKeone**, Sheboygan, WI (US)

(73) **Assignee:** **Kohler Co.**, Kohler, WI (US)

(**) **Term:** **14 Years**

(21) **Appl. No.:** **29/139,767**

(22) **Filed:** **Apr. 5, 2001**

(51) **LOC (7) Cl.** **23-02**

(52) **U.S. Cl.** **D23/301**

(58) **Field of Search** D23/270–272,
D23/295, 296, 299–301, 303, 309–313;
4/667, 300, 329, 353–354, 419–420, 420.3,
443, 446, 449, 460, 476–477, 479–483,
902, DIG. 12, DIG. 15

(56) **References Cited**

U.S. PATENT DOCUMENTS

D75,721 S	*	7/1928	Coxon	D23/313
D86,995 S	*	3/1932	Brain	D23/301
D87,527 S	*	9/1932	Kohler et al.	D23/313
D92,215 S	*	5/1934	Teahen	D23/301
D370,720 S	*	6/1996	Kaiser	D23/301

OTHER PUBLICATIONS

2000 Kohler catalog ad, p. 15.8, showing a “Memoirs Comfort Height” one-piece toilet.

Undated B.C. Sanitan catalog ad showing a “Savoy” toilet.
1999 Kallista catalog ad, p. 46, showing a “Hampstead” toilet.

* cited by examiner

Primary Examiner—Louis S. Zarfes

Assistant Examiner—Robert A. Delehanty

(74) *Attorney, Agent, or Firm*—Quarles & Brady LLP

(57) **CLAIM**

The ornamental design for a water closet, as shown and described.

DESCRIPTION

In a preferred embodiment, the nature of this product is as a plumbing fixture primarily useful for receiving solid and liquid waste from humans.

FIG. 1 is a left, top, front perspective view of a water closet embodying my new design;

FIG. 2 is a left side elevational view thereof, the right side elevational view being a mirror image of the left side shown;

FIG. 3 is a front elevational view thereof;

FIG. 4 is a top plan view thereof;

FIG. 5 is a bottom plan view thereof; and,

FIG. 6 is a rear elevational view thereof.

The broken line representations of holes in FIGS. 1, 2, and 4, and of mounting structure in FIG. 5, are for the purpose of illustration only, and form no part of the claimed design.

1 Claim, 3 Drawing Sheets

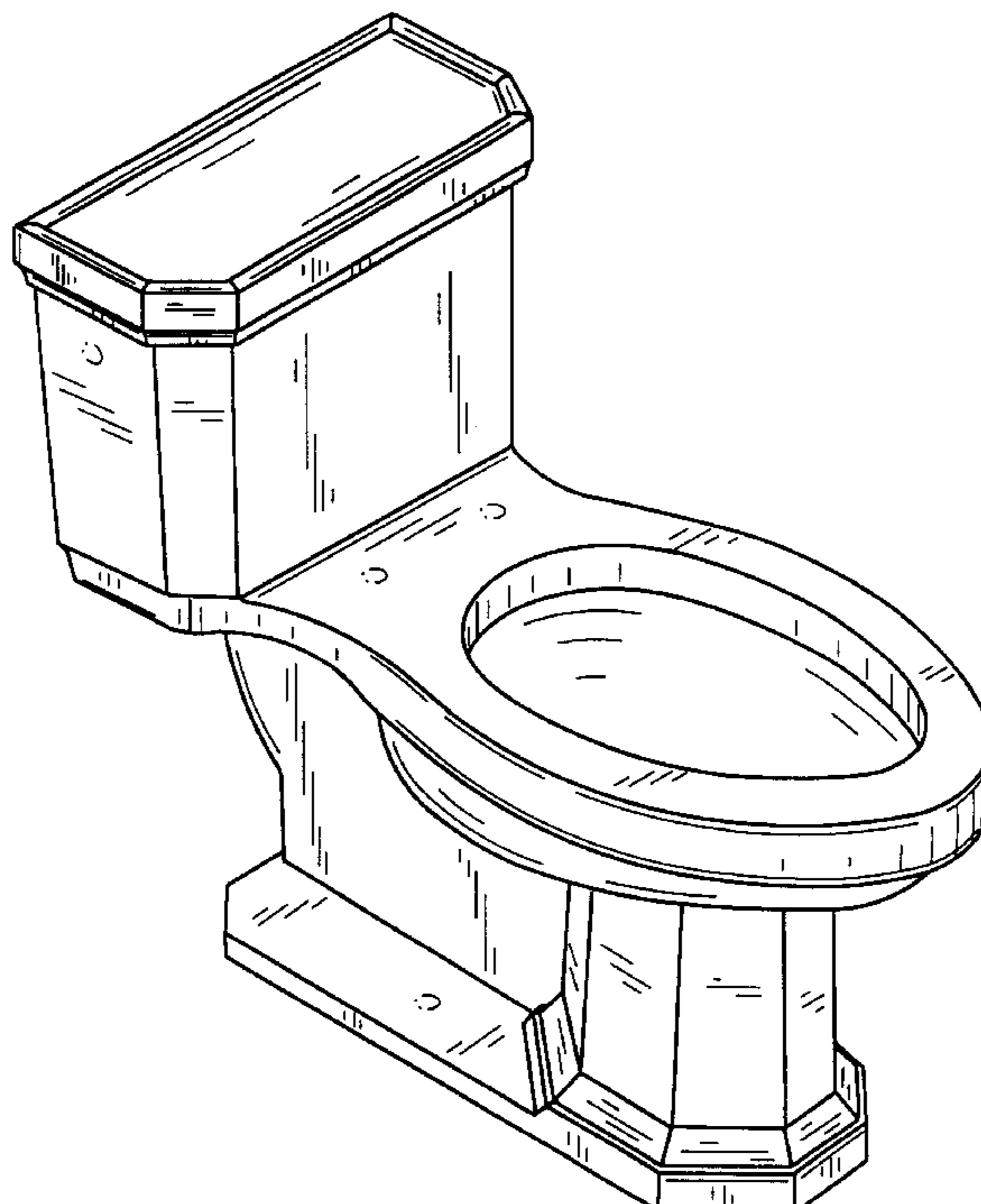


FIG. 1

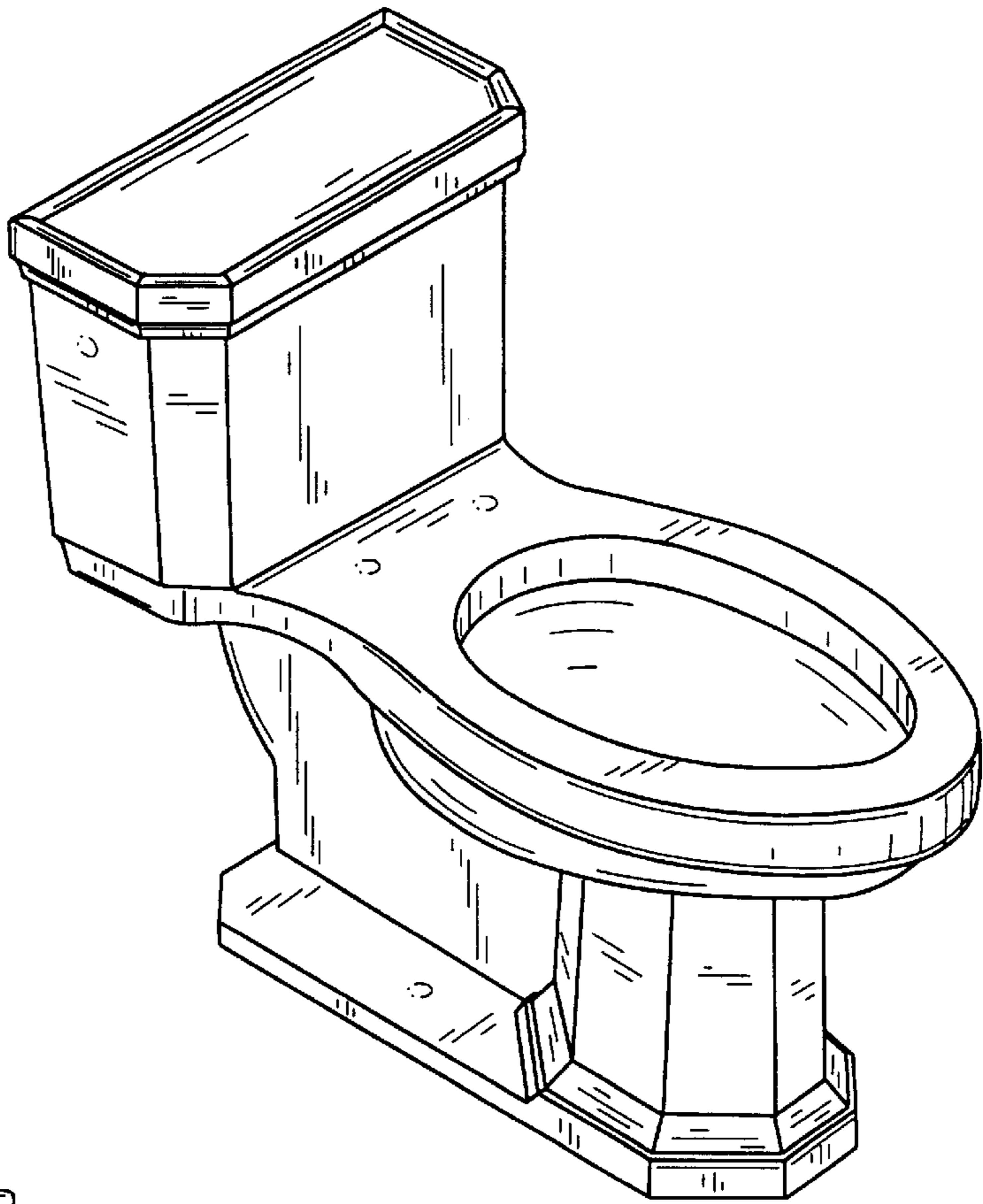


FIG. 2

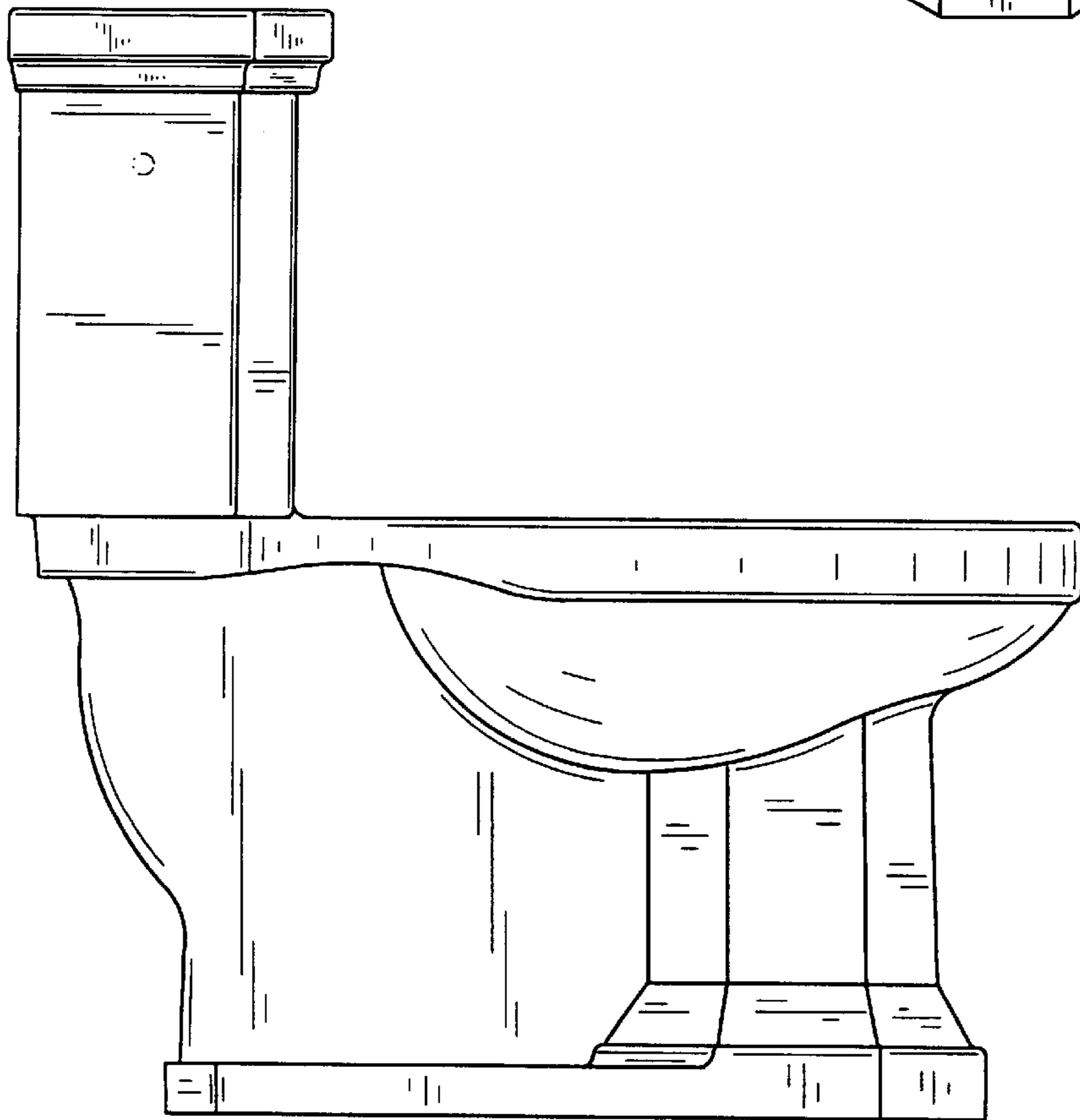


FIG. 3

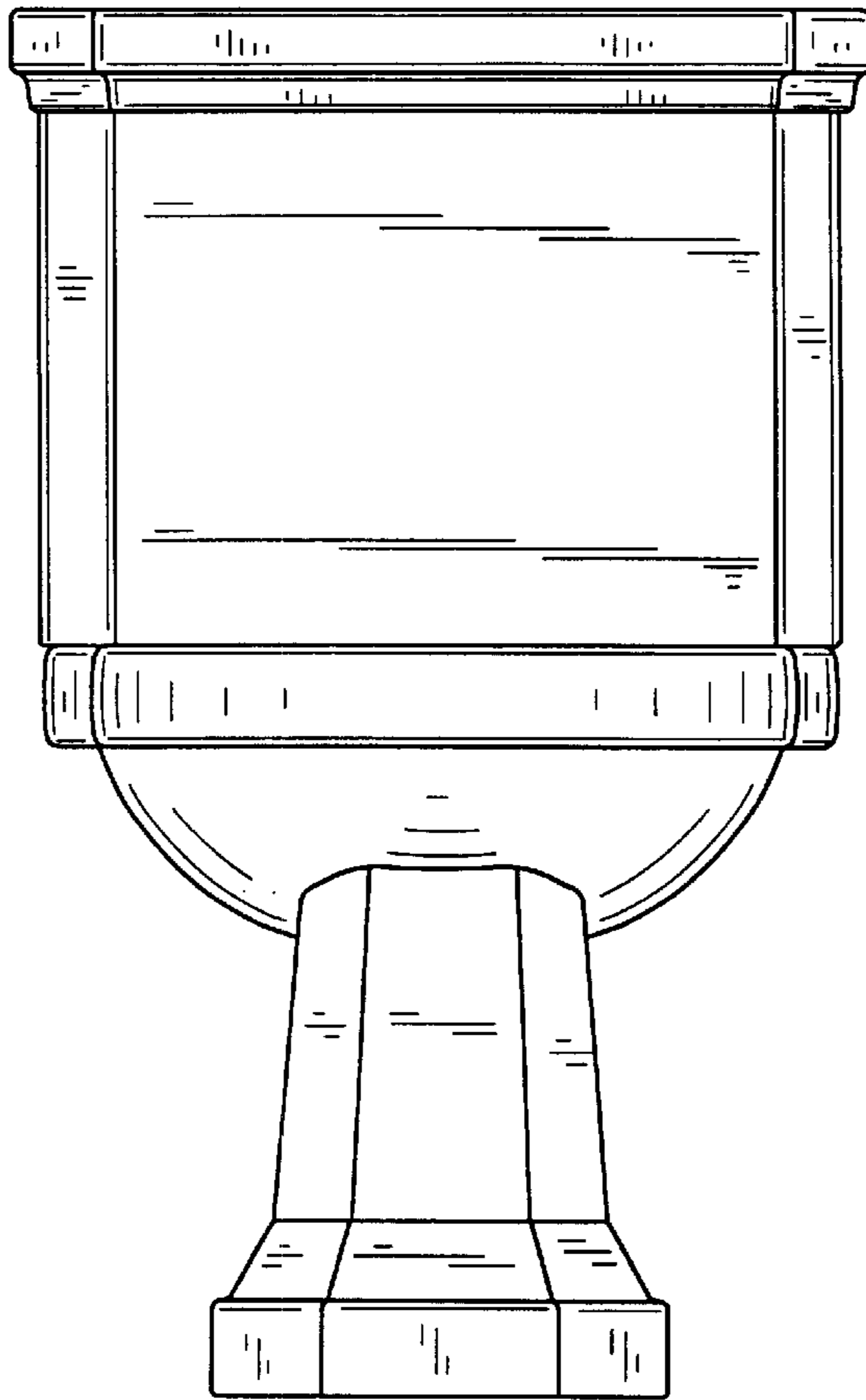


FIG. 4

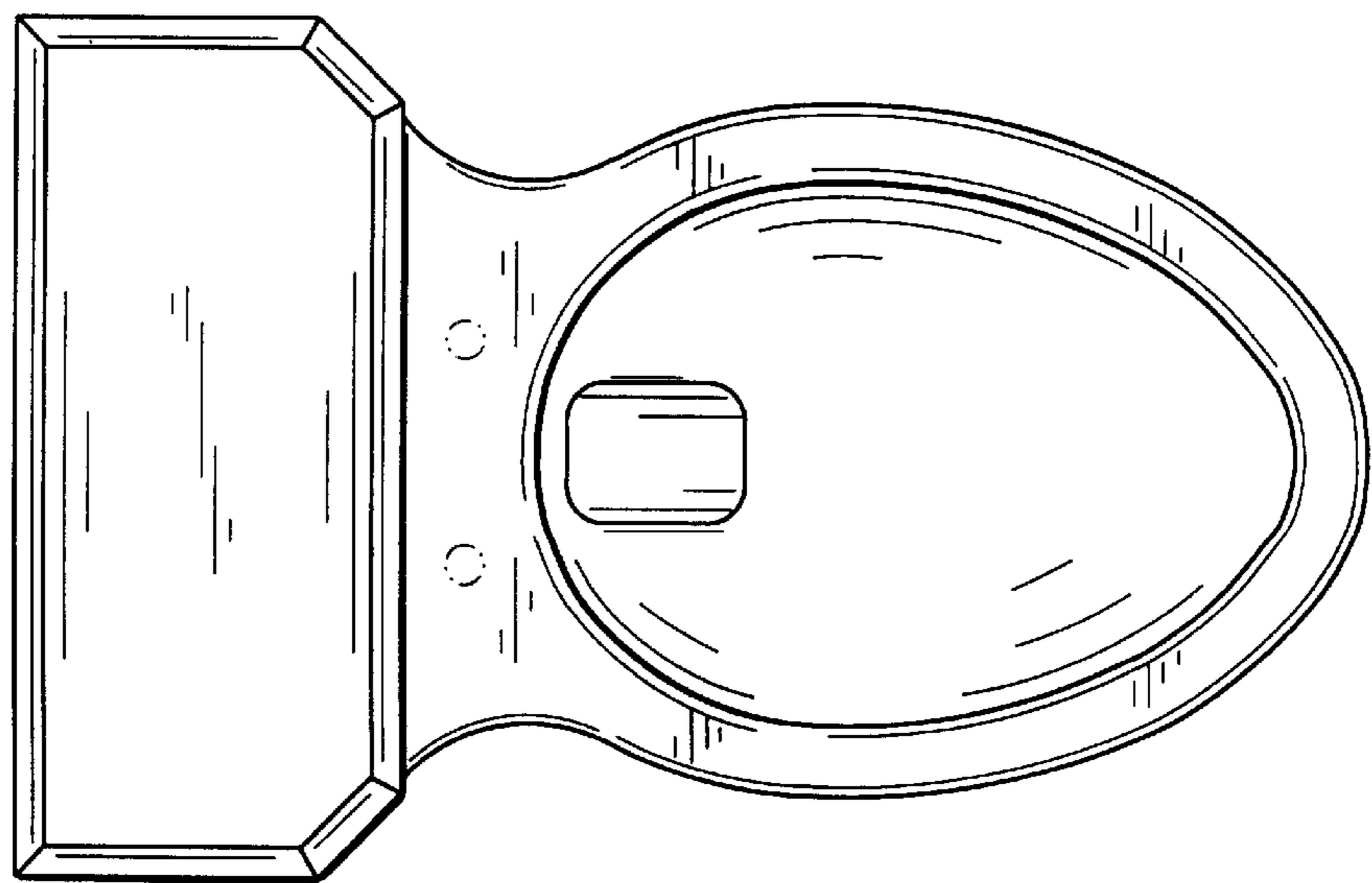


FIG. 5

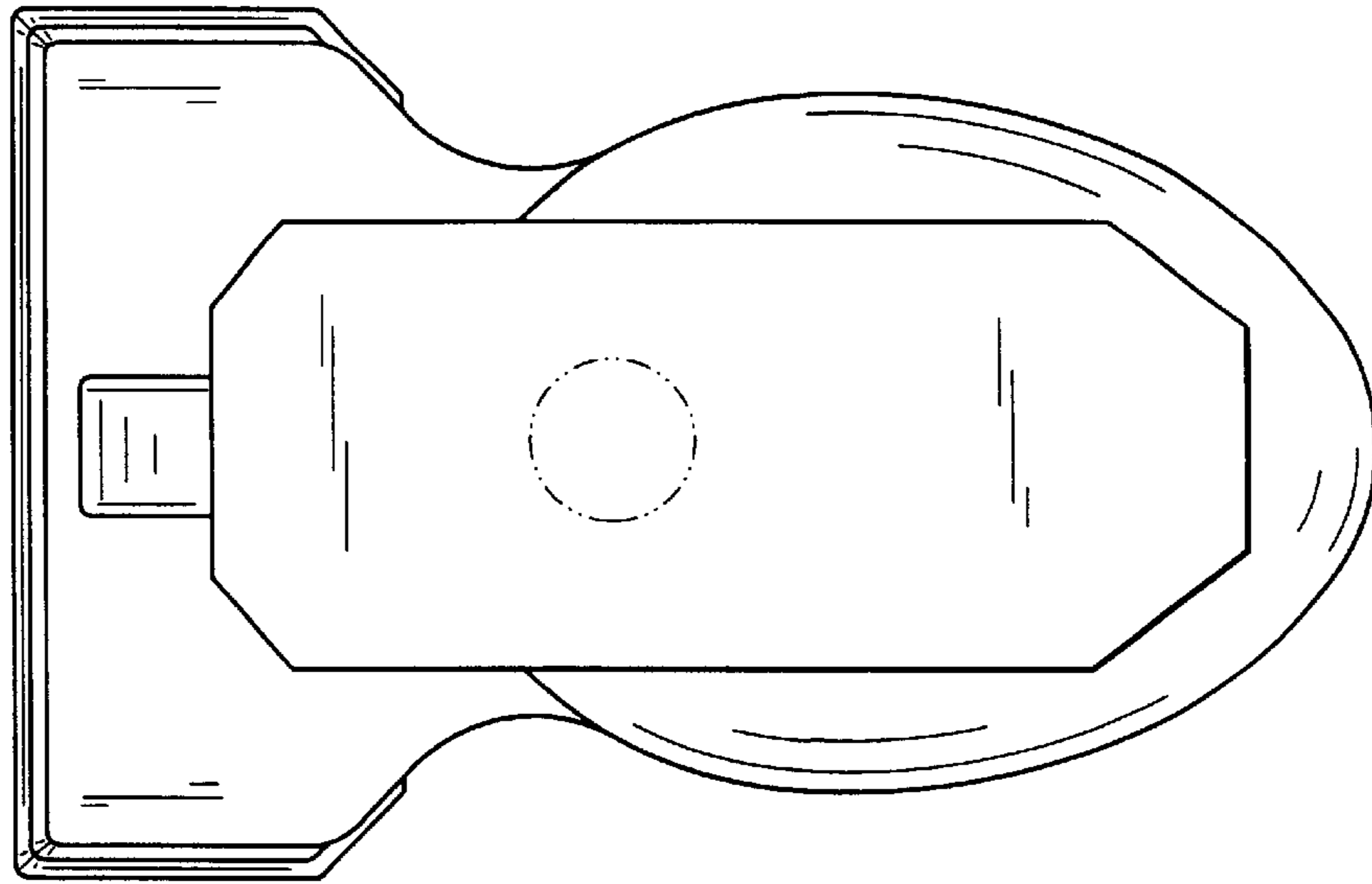


FIG. 6

