



US00D455821S

(12) **United States Design Patent**
Bayer et al.

(10) **Patent No.:** **US D455,821 S**

(45) **Date of Patent:** **** Apr. 16, 2002**

(54) **SINK**

* cited by examiner

(75) Inventors: **Michelle E. Bayer; Mark A. Romo,**
both of Plymouth; **Mary J. Reid;**
Richard J. Kuether, both of
Sheboygan, all of WI (US)

Primary Examiner—Louis S. Zarfes
Assistant Examiner—Robert A. Delehanty
(74) *Attorney, Agent, or Firm*—Quarles & Brady LLP

(73) Assignee: **Kohler Co.,** Kohler, WI (US)

(57) **CLAIM**

The ornamental design for a sink, as shown and described.

(**) Term: **14 Years**

DESCRIPTION

(21) Appl. No.: **29/139,834**

In a preferred embodiment, the nature of this product is as a plumbing fixture primarily useful for washing food and implements therefor.

(22) Filed: **Apr. 6, 2001**

(51) **LOC (7) Cl.** **23-02**

(52) **U.S. Cl.** **D23/290**

(58) **Field of Search** D23/284–290,
D23/293.1, 303, 308; 4/619–642, 650–652,
660, 661

FIG. 1 is a left, top, front perspective view of a sink embodying our new design;

FIG. 2 is a top plan view thereof;

FIG. 3 is a front elevational view thereof;

FIG. 4 is a left side elevational view thereof;

FIG. 5 is a rear elevational view thereof;

FIG. 6 is a right side elevational view thereof;

FIG. 7 is a bottom plan view thereof;

FIG. 8 is a cross-sectional view taken along line 8—8 of FIG. 2; and,

FIG. 9 is a right, top, front perspective view of a second embodiment, the top plan view being a mirror image of that shown in FIG. 2, the front elevational view being a mirror image of that shown in FIG. 3, the right side elevational view being a mirror image of that shown in FIG. 4, the rear elevational view being a mirror image of that shown in FIG. 5, the left side elevational view being a mirror image of that shown in FIG. 6, and the bottom plan view being a mirror image of that shown in FIG. 7.

(56) **References Cited**

U.S. PATENT DOCUMENTS

D297,162 S	*	8/1988	Muck et al.	D23/290
D344,576 S	*	2/1994	Stairs, Jr.	D23/290
D351,221 S	*	10/1994	Berge et al.	D23/290
D355,023 S	*	1/1995	Kolada	D23/290
D395,699 S	*	6/1998	Hundley	D23/290
D427,670 S	*	7/2000	Svensen et al.	D23/290
D428,975 S	*	8/2000	Arnold et al.	D23/290

OTHER PUBLICATIONS

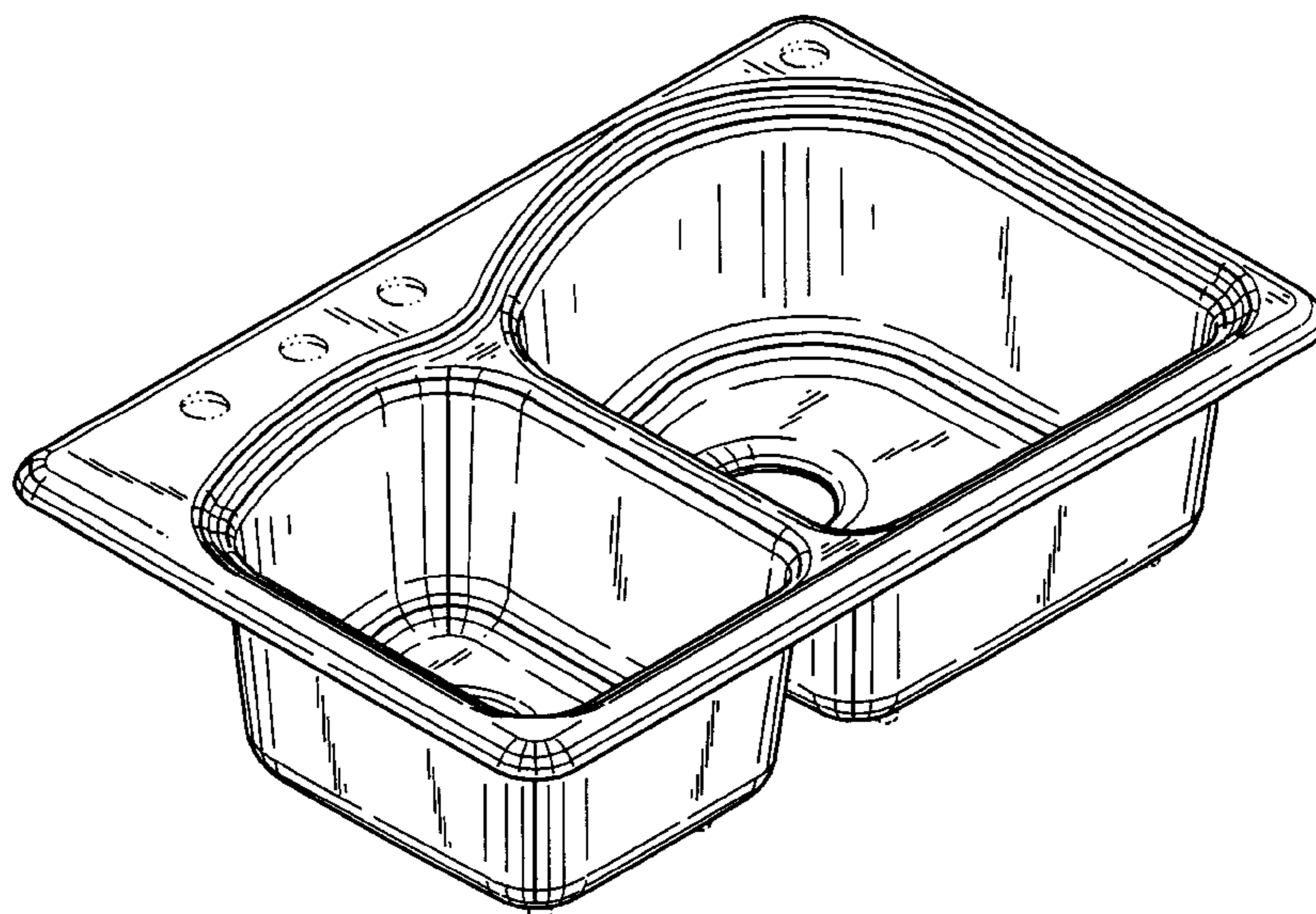
Undated Eljer catalog ad showing a “Dual Level” kitchen sink (applicants reserve the right to determine the prior art status of reference).

2000 Transolid catalog ad showing a kitchen sink (applicants reserve the right to determine the prior art status of reference).

2000 Eljer catalog ad, p. 4.13, showing a “Risotto” kitchen sink (applicants reserve the right to determine the prior art status of reference).

The broken line representations of holes in FIGS. 1, 2, 7, and 9, and of support structure in FIGS. 1 and 3–9, are for the purpose of illustration only, and form no part of the claimed design.

1 Claim, 4 Drawing Sheets



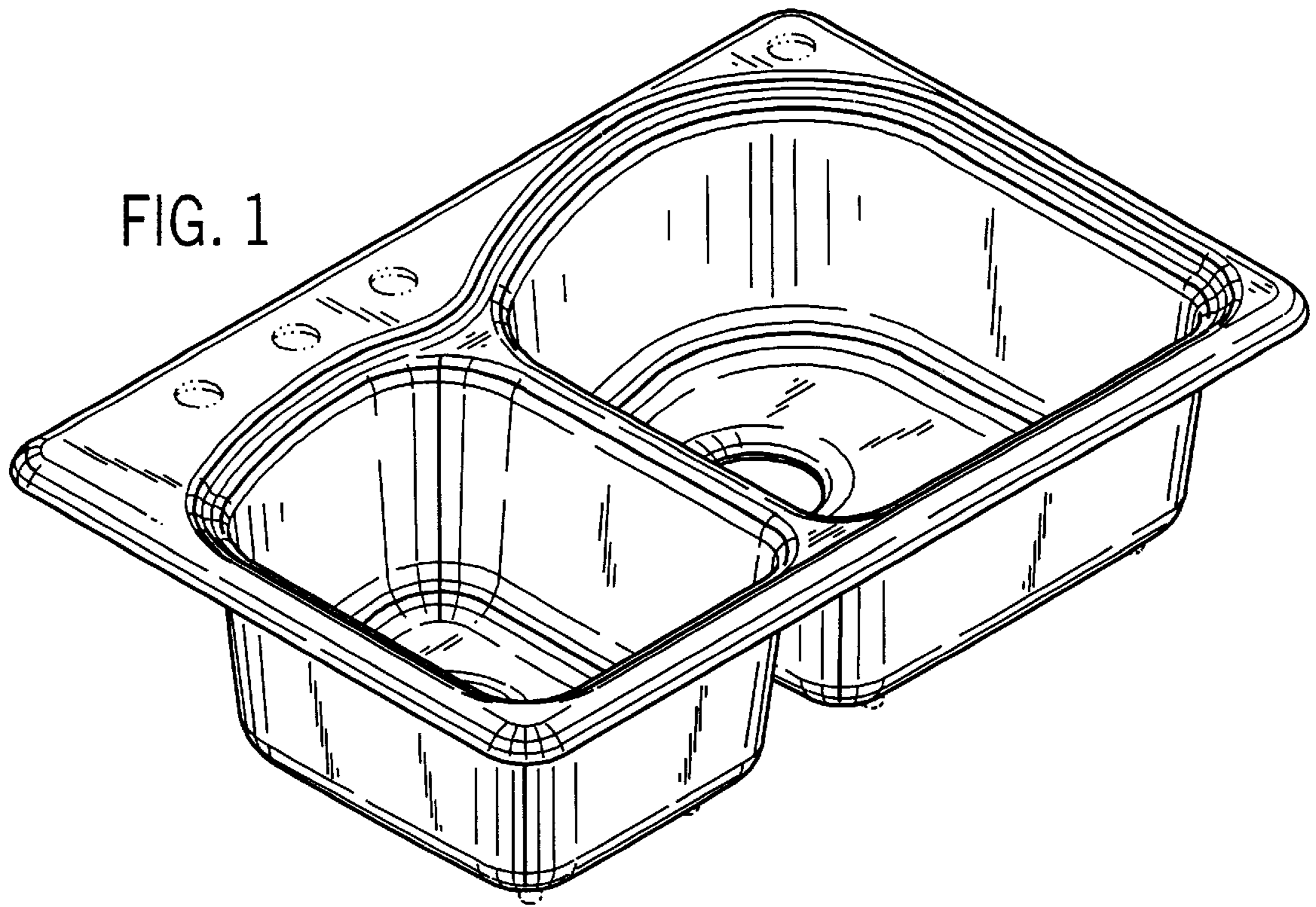


FIG. 2

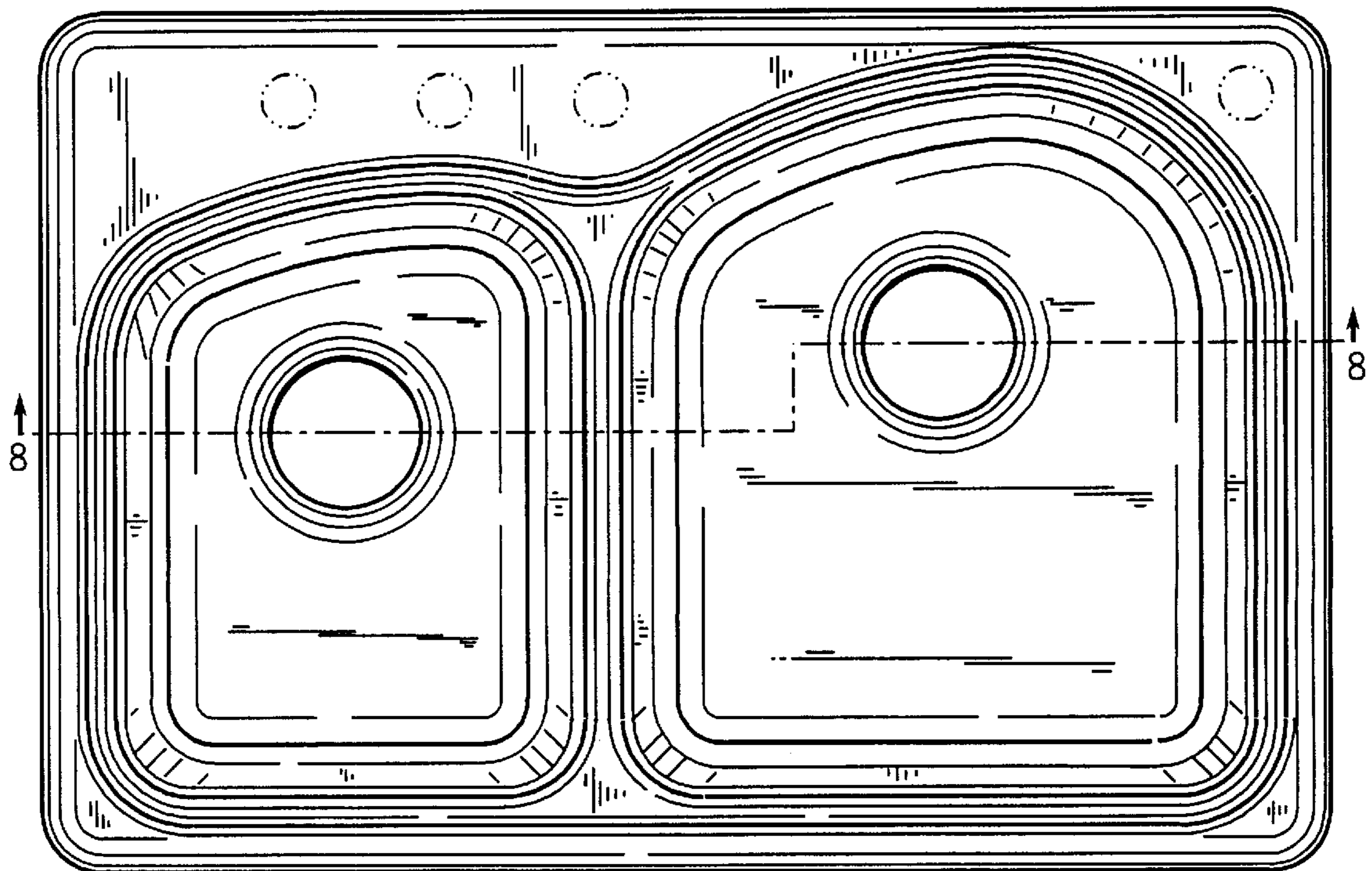


FIG. 3

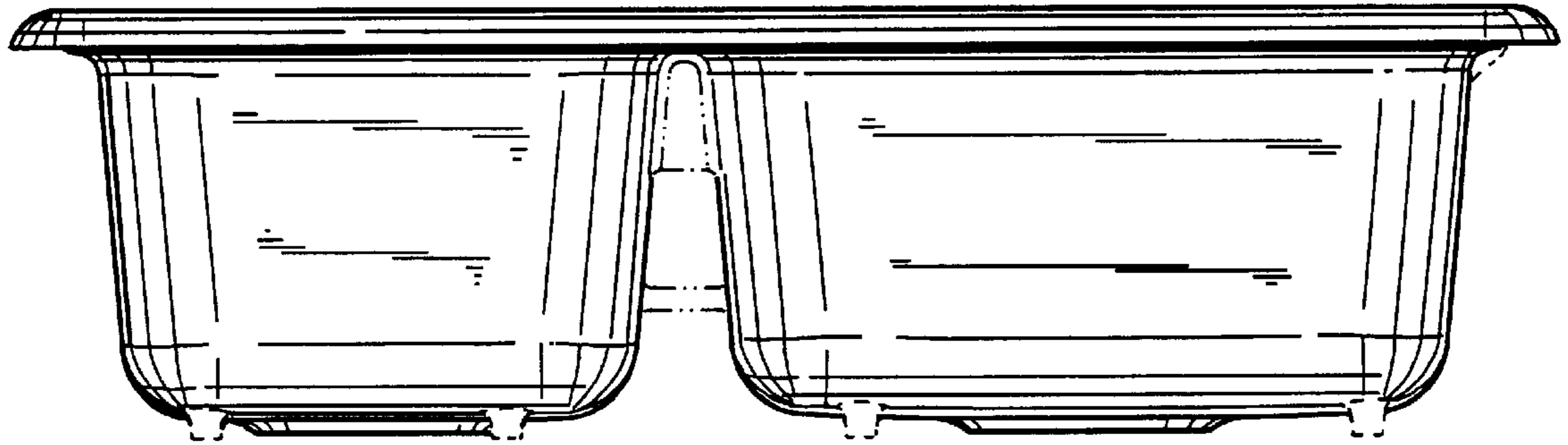


FIG. 4

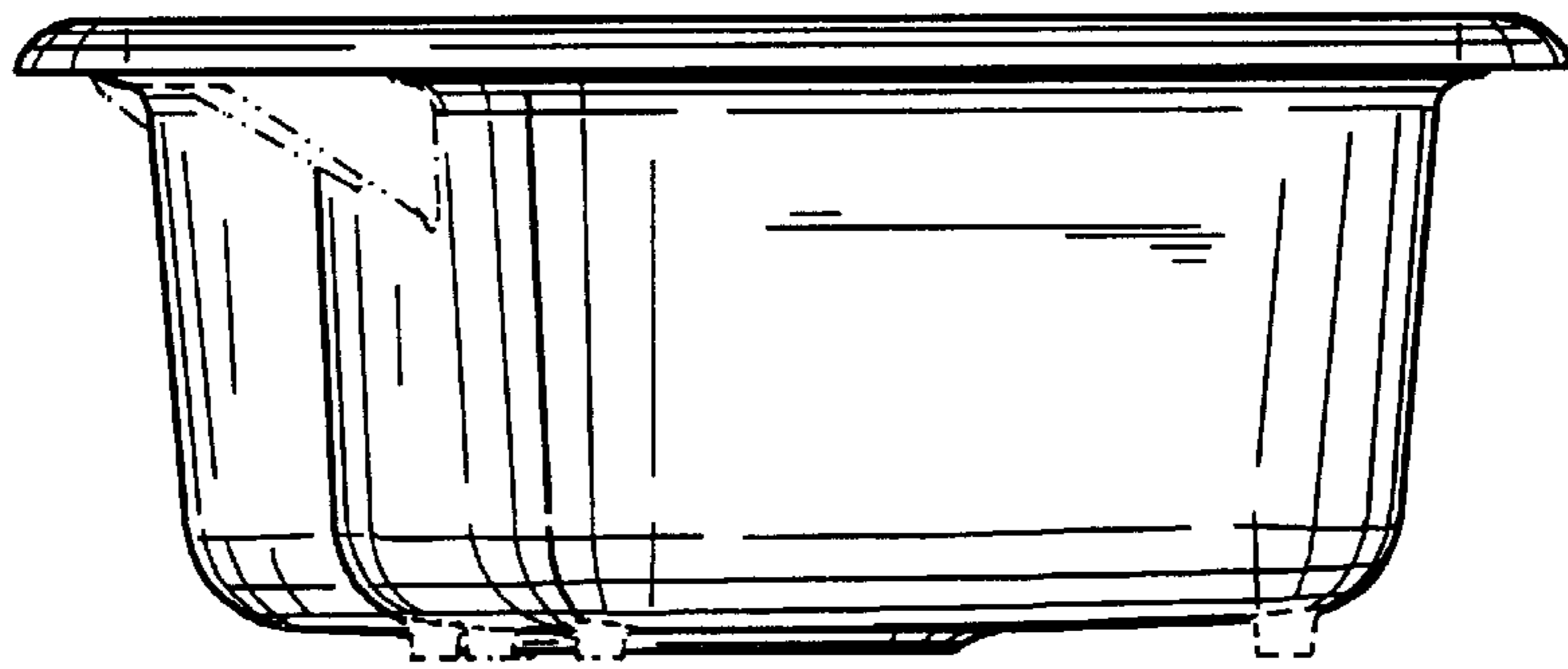


FIG. 5

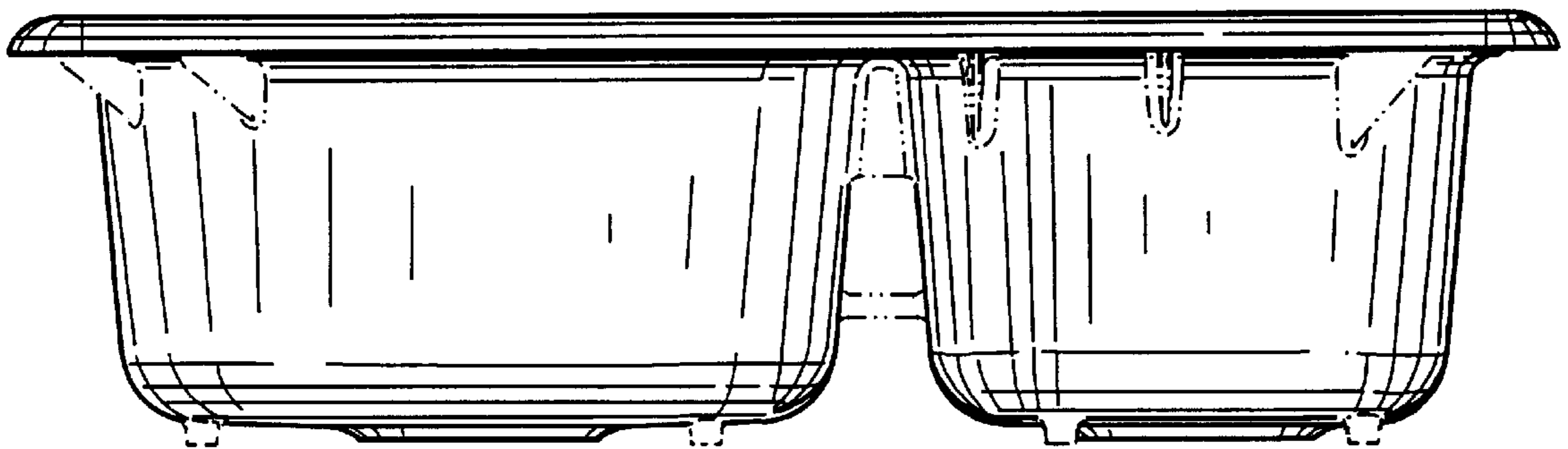


FIG. 6

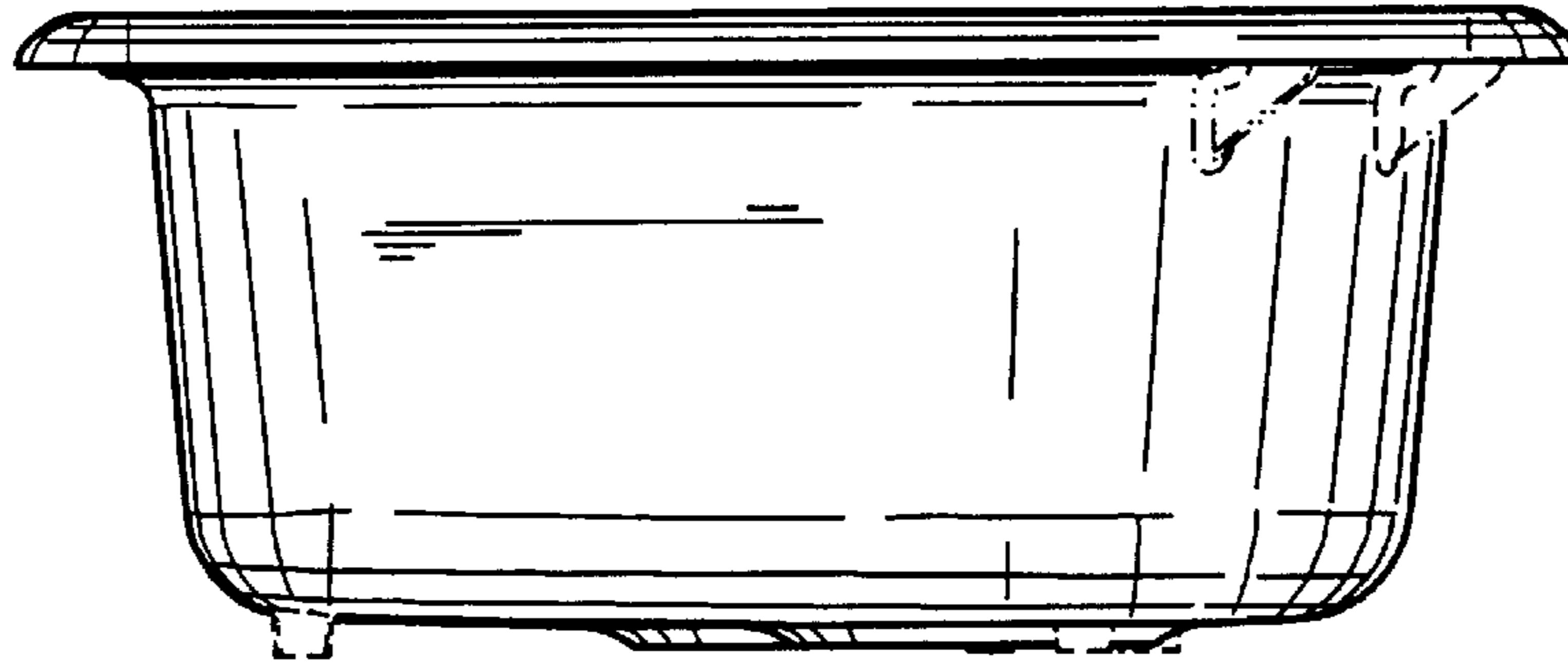


FIG. 7

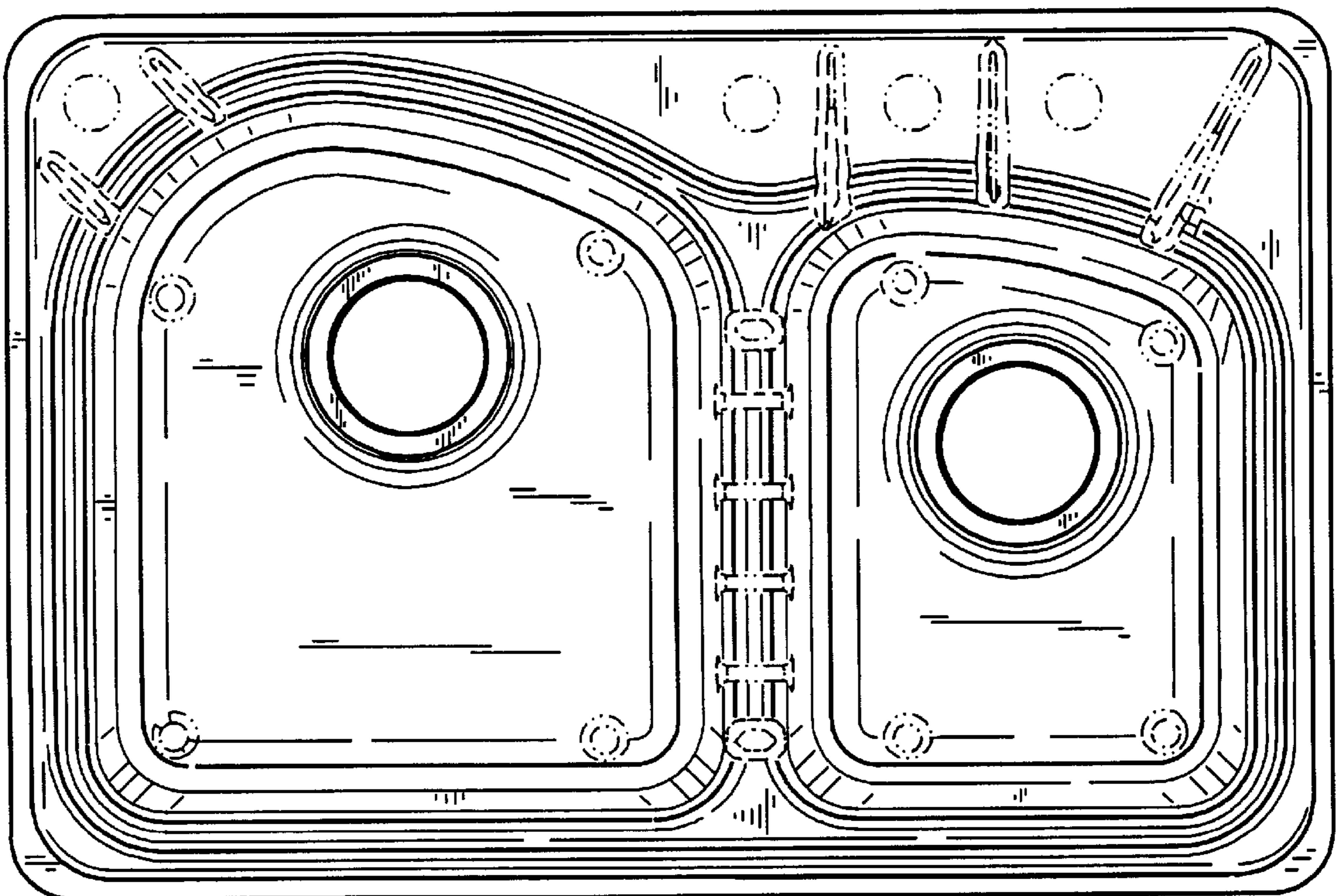


FIG. 8

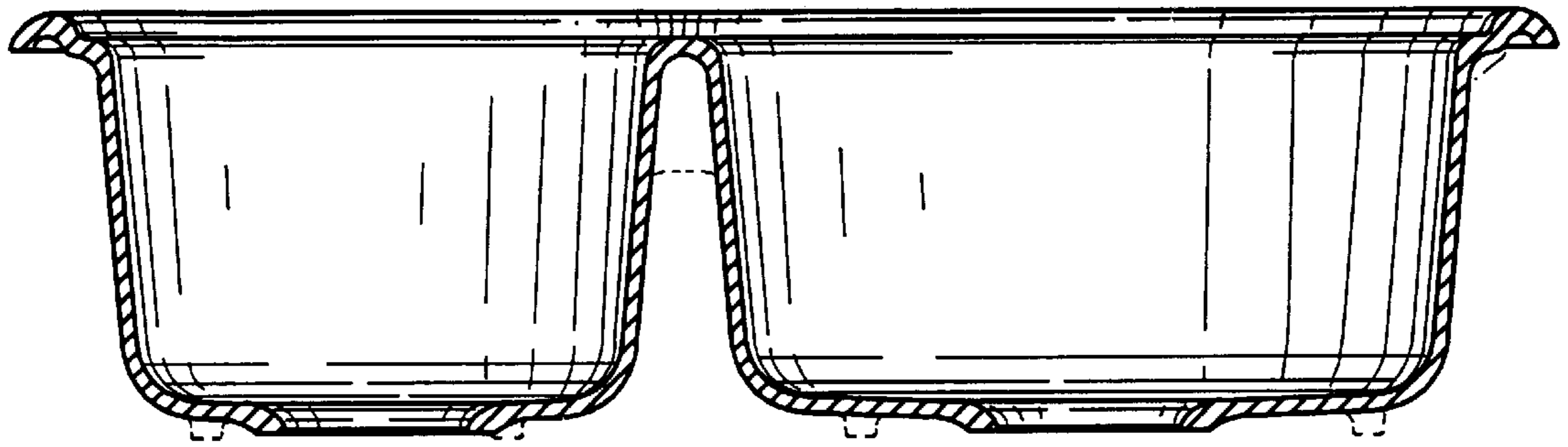


FIG. 9

