



US00D455820S

(12) **United States Design Patent** (10) **Patent No.:** **US D455,820 S**
Thomas et al. (45) **Date of Patent:** **** Apr. 16, 2002**

(54) **TUB FOR BATHING**

(75) Inventors: **Carter J. Thomas**, Cedarburg; **David J. O’Connell**; **Mary J. Reid**, both of Sheboygan, all of WI (US)

(73) Assignee: **Kohler Co.**, Kohler, WI (US)

(**) Term: **14 Years**

(21) Appl. No.: **29/145,898**

(22) Filed: **Jul. 31, 2001**

Related U.S. Application Data

(62) Division of application No. 29/127,420, filed on Aug. 4, 2000, now Pat. No. Des. 446,574.

(51) **LOC (7) Cl.** **23-02**

(52) **U.S. Cl.** **D23/280.1**

(58) **Field of Search** D23/275–278,
D23/280.2, 303–307; 4/538, 540, 541.1–541.6,
546, 548, 557, 558, 584, 594

(56) **References Cited**

U.S. PATENT DOCUMENTS

D90,640 S	9/1933	Yent	D23/277
3,020,561 A	2/1962	Cotting	4/595
3,151,341 A	10/1964	King	D23/283 X
D221,139 S	7/1971	Diamond et al.	D23/280.1 X
D241,643 S	9/1976	Bonsack	D23/280.1
D275,783 S	10/1984	McMillan et al.	D23/283
5,459,888 A	10/1995	Chen	4/593

OTHER PUBLICATIONS

1999 Kallista catalog ad, p. 70, showing a “Barbara Barry” whirlpool bath.

1999 catalog ad, supplier unknown, showing a whirlpool bath.

Undated Villeroy & Boch catalog ad showing a “Magnum” whirlpool bath.

Undated Altmans catalog ad showing a “Francine” bath.
1989 Kohler catalog ad, p. 5A–5, showing “Vintage Suite” baths.

Primary Examiner—Louis S. Zarfes

Assistant Examiner—Robert A. Delehanty

(74) *Attorney, Agent, or Firm*—Quarles & Brady LLP

(57) **CLAIM**

The ornamental design for a tub for bathing, as shown and described.

DESCRIPTION

In a preferred embodiment, the nature of this product is as a plumbing fixture primarily useful for washing the body of humans.

FIG. 1 is a right, top, front perspective view of a tub for bathing embodying our new design;

FIG. 2 is a top plan view thereof;

FIG. 3 is a front elevational view thereof, the rear elevational view being a mirror image of the front elevational view shown;

FIG. 4 is a left side elevational view thereof;

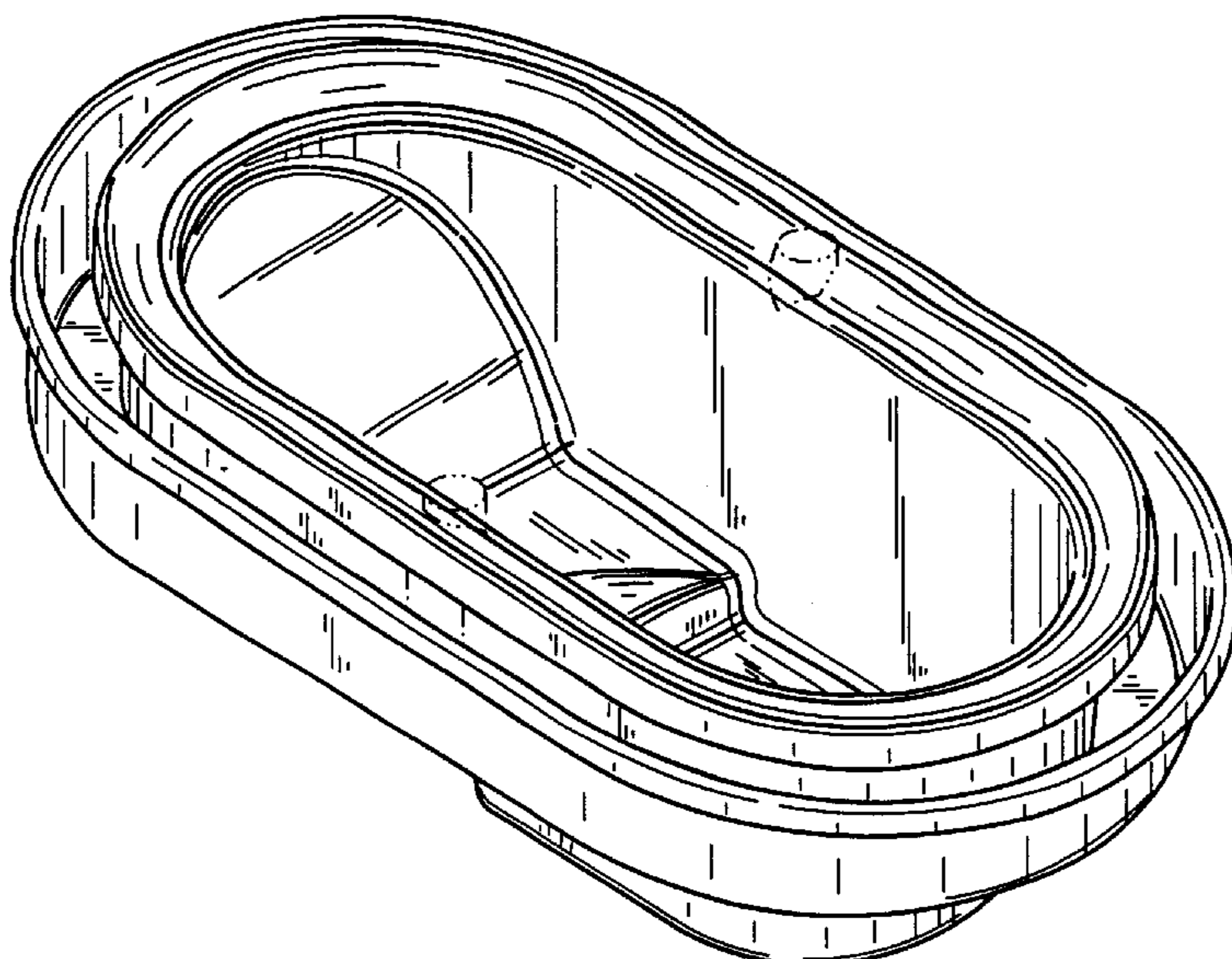
FIG. 5 is a right side elevational view thereof;

FIG. 6 is a cross-sectional view thereof taken along line 6–6 of FIG. 2; and,

FIG. 7 is a bottom plan view thereof.

The broken line representations of holes in FIGS. 2–4 and 7, and of a control mounting in FIGS. 1–6, are for the purpose of illustration only, and form no part of the claimed design.

1 Claim, 3 Drawing Sheets



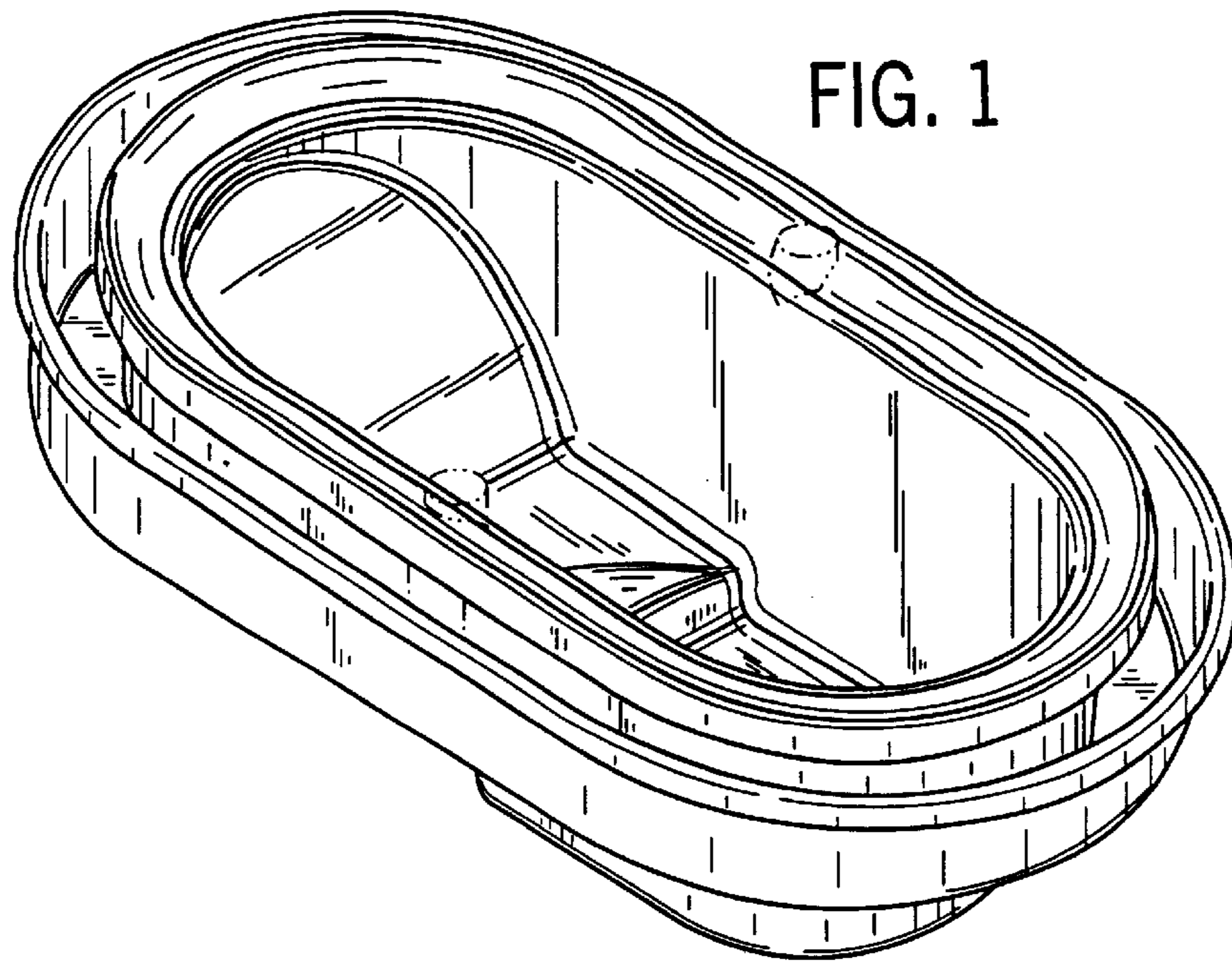


FIG. 2

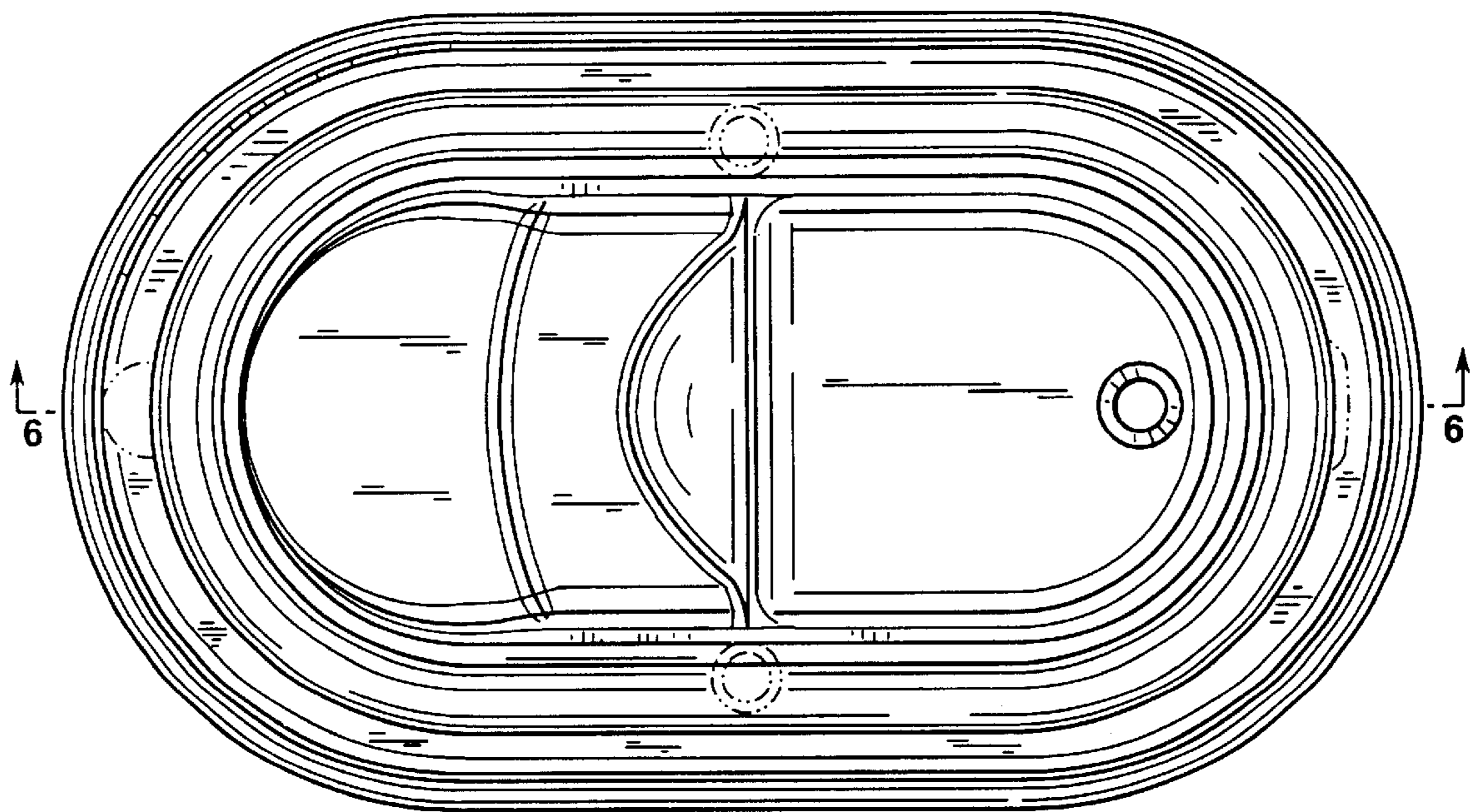


FIG. 3

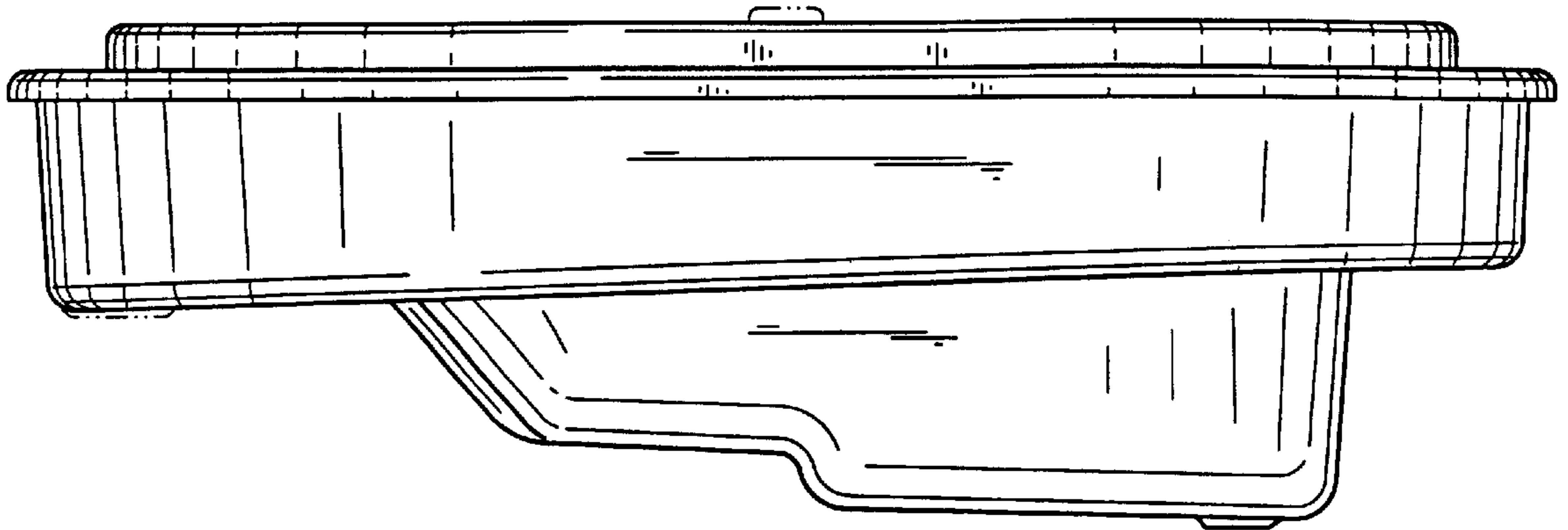


FIG. 4

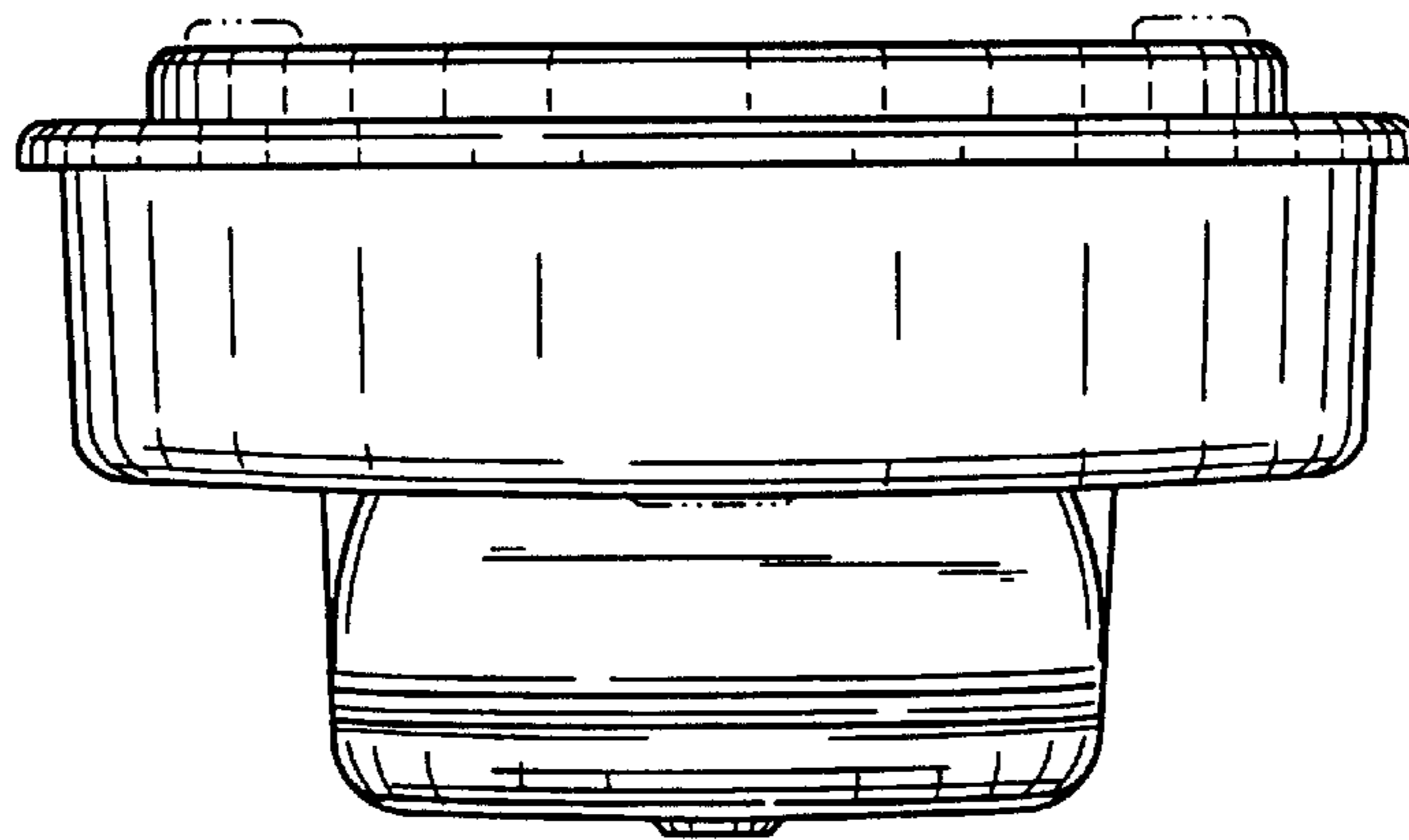


FIG. 5

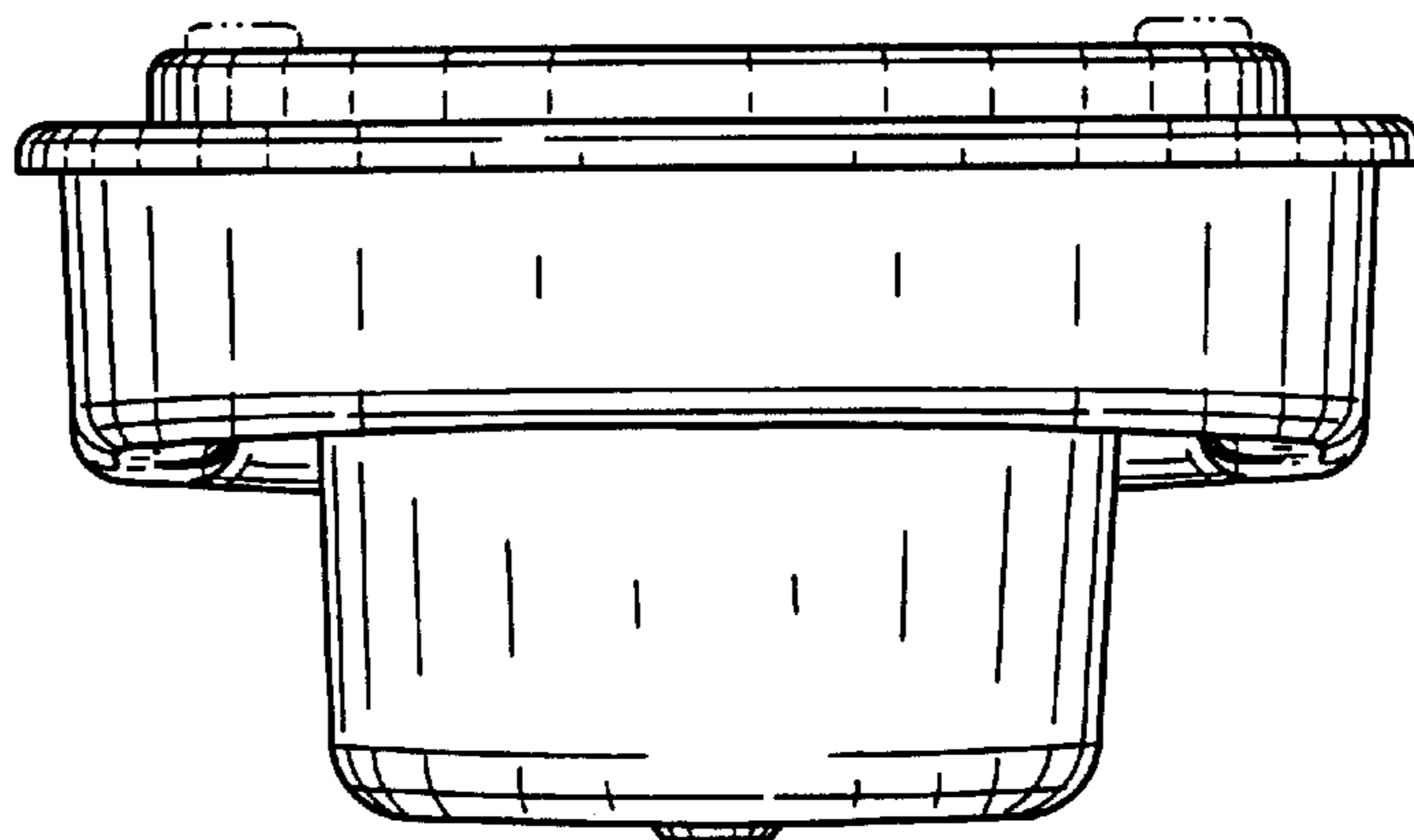


FIG. 6

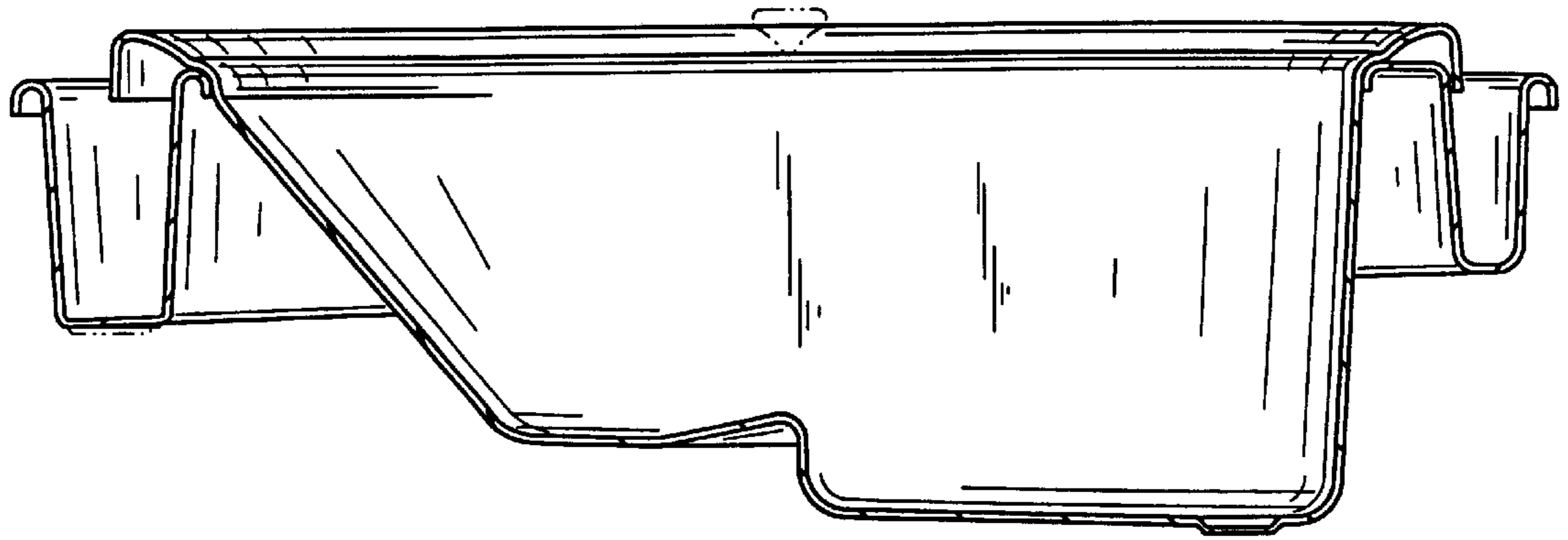


FIG. 7

