



US00D455819S

(12) **United States Design Patent**
Hoenig

(10) **Patent No.:** **US D455,819 S**

(45) **Date of Patent:** **** Apr. 16, 2002**

(54) **FLUID CONNECTOR**

(75) Inventor: **Richard Hoenig**, Weare, NH (US)

(73) Assignee: **Vital Signs, Inc.**, Totawa, NJ (US)

(**) Term: **14 Years**

(21) Appl. No.: **29/140,091**

(22) Filed: **Apr. 11, 2001**

(51) **LOC (7) Cl.** **23-01**

(52) **U.S. Cl.** **D23/259**

(58) **Field of Search** D23/259-262;
285/249; 138/115, 109; 279/43.1, 46.3,
4.07

(56) **References Cited**

U.S. PATENT DOCUMENTS

| | | | | | |
|-------------|---|---------|-----------------|-------|---------|
| D235,343 S | * | 6/1975 | Otto | | D23/262 |
| 3,991,822 A | * | 11/1976 | Morris | | 138/115 |
| 5,305,797 A | * | 4/1994 | Roy | | 138/115 |
| D407,802 S | * | 4/1999 | Hatfield et al. | | D23/262 |

5,901,988 A * 5/1999 Aihara et al. 138/115

* cited by examiner

Primary Examiner—Robin V. Taylor

(74) *Attorney, Agent, or Firm*—R. Gale Rhodes, Jr.

(57) **CLAIM**

I claim the ornamental design for the fluid connector, as shown and described.

DESCRIPTION

FIG. 1 is a first perspective view taken from a first end of a fluid connector showing my new design;

FIG. 2 is a second perspective view taken from a second end thereof;

FIG. 3 is a front elevational view thereof;

FIG. 4 is a top view thereof;

FIG. 5 is a bottom view thereof;

FIG. 6 is a left end view thereof;

FIG. 7 is a right end view thereof; and,

FIG. 8 is a rear view thereof.

1 Claim, 2 Drawing Sheets

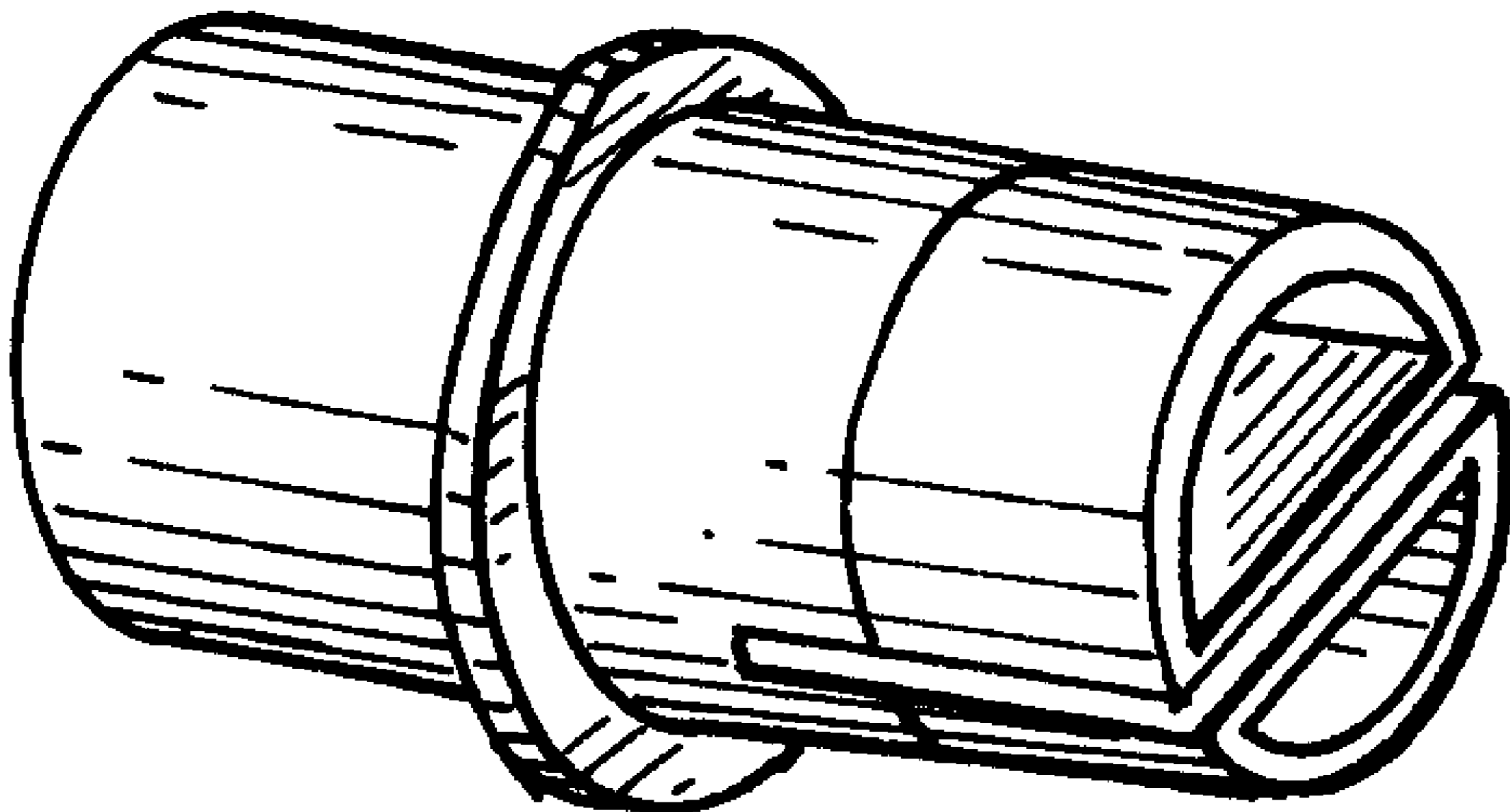


FIG. 1

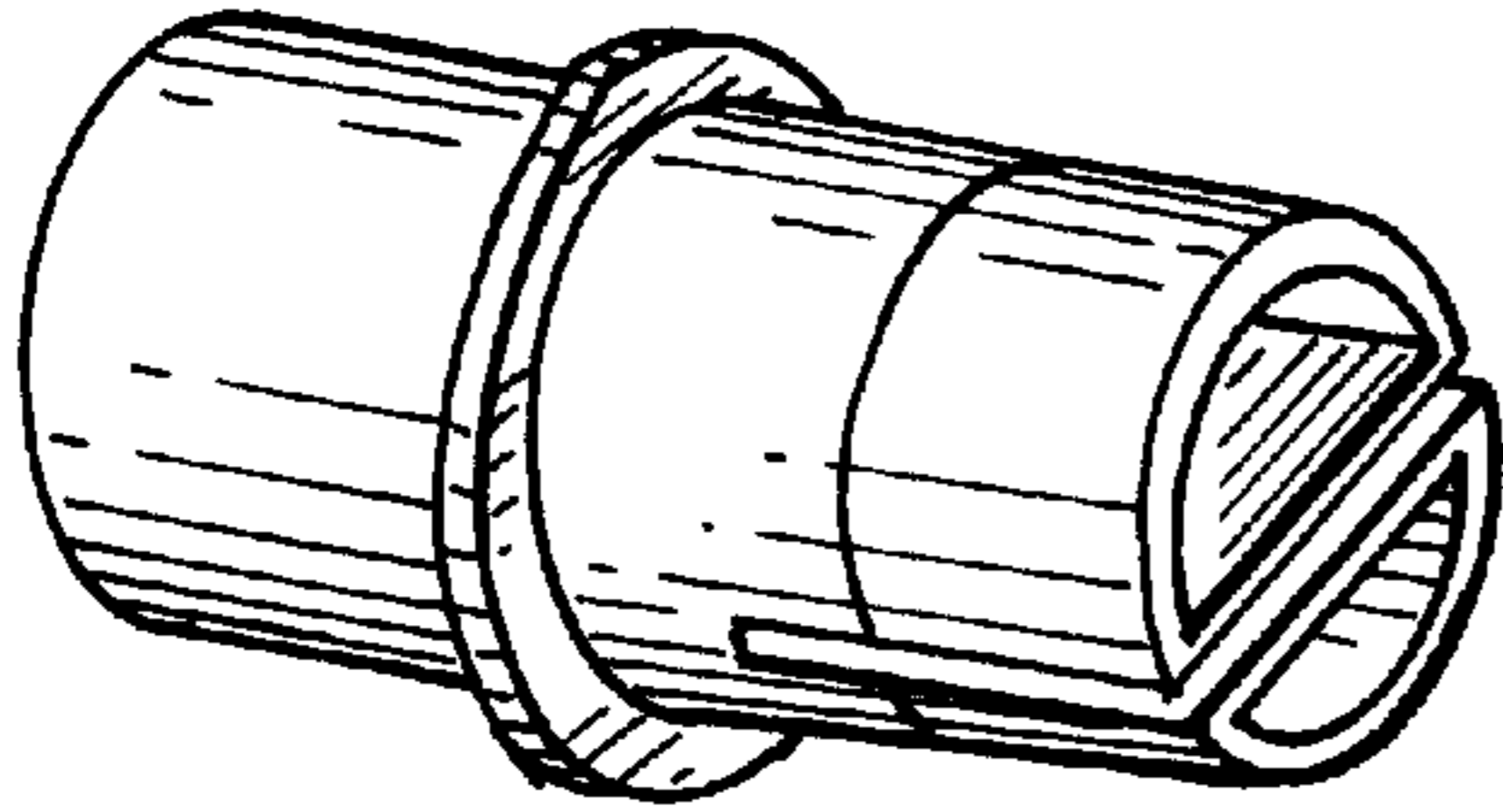


FIG. 2

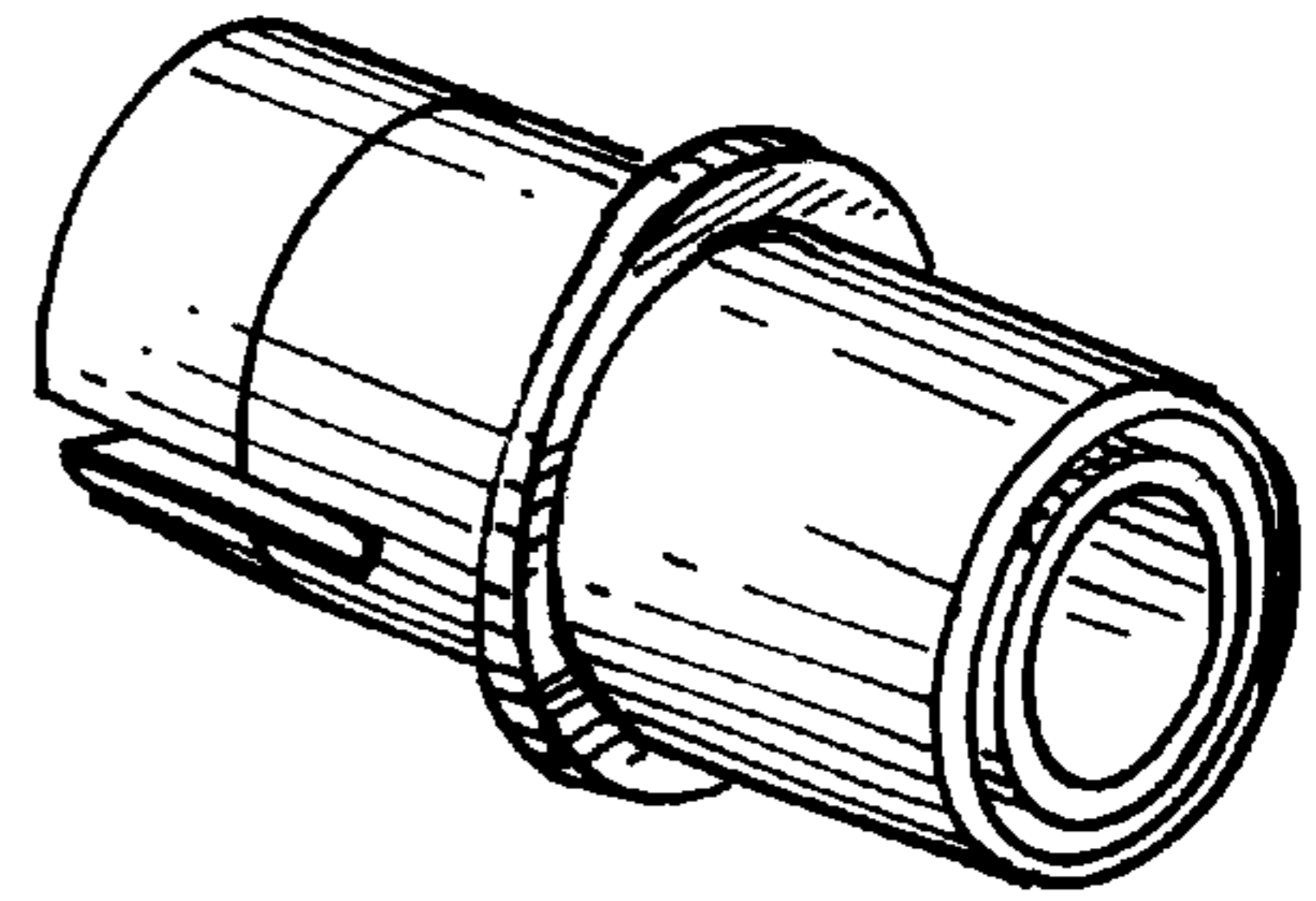


FIG. 3

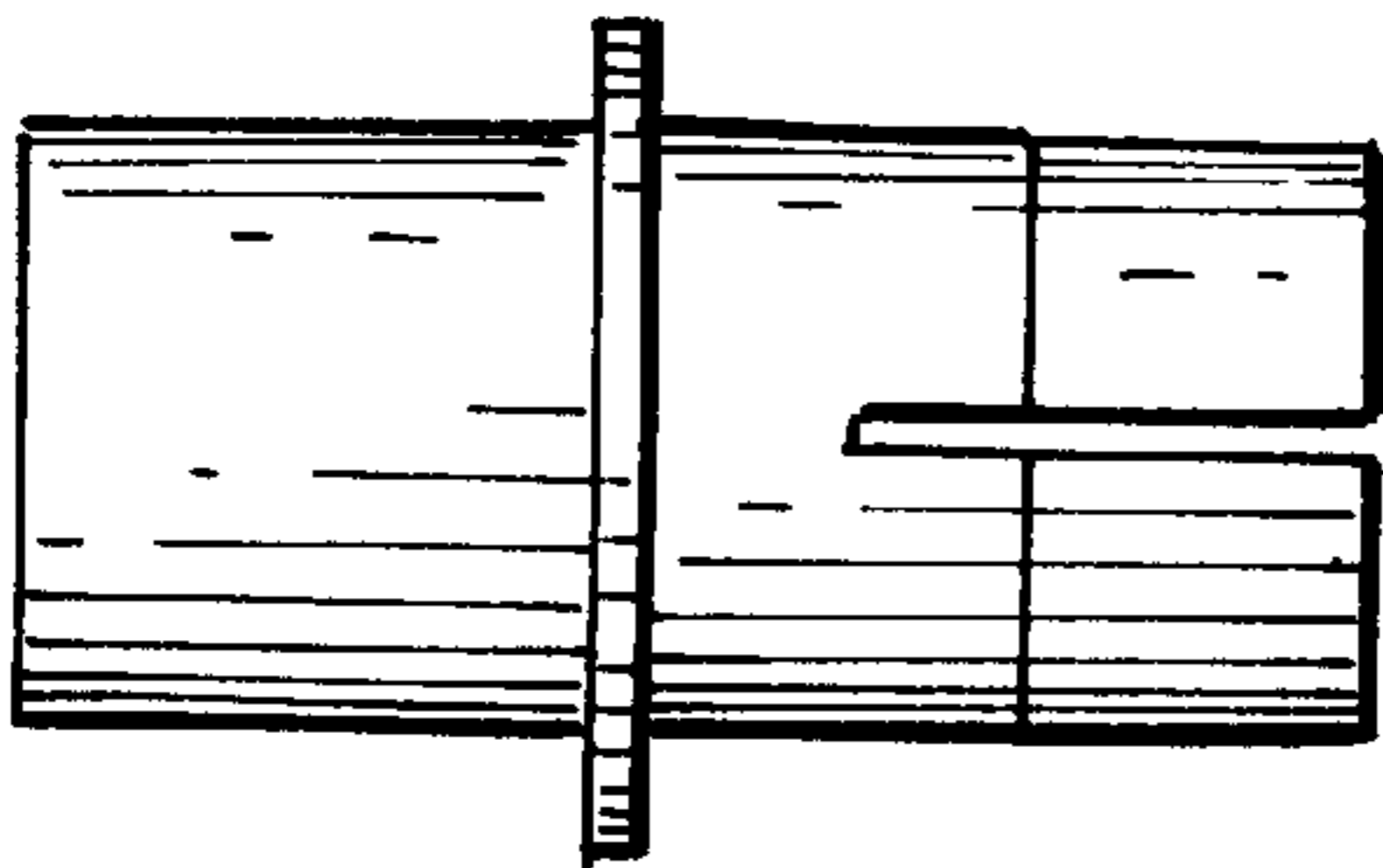


FIG. 4

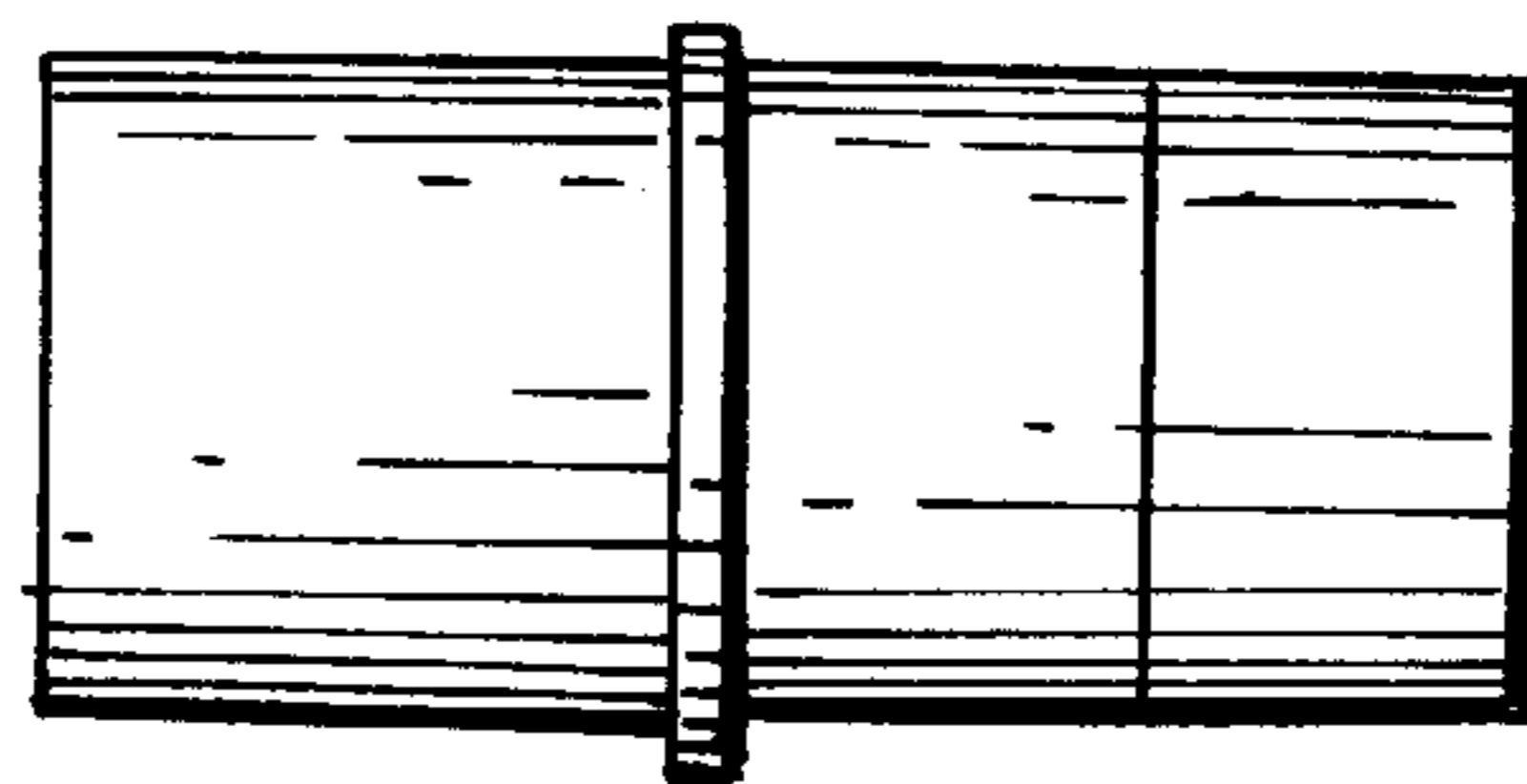


FIG. 5

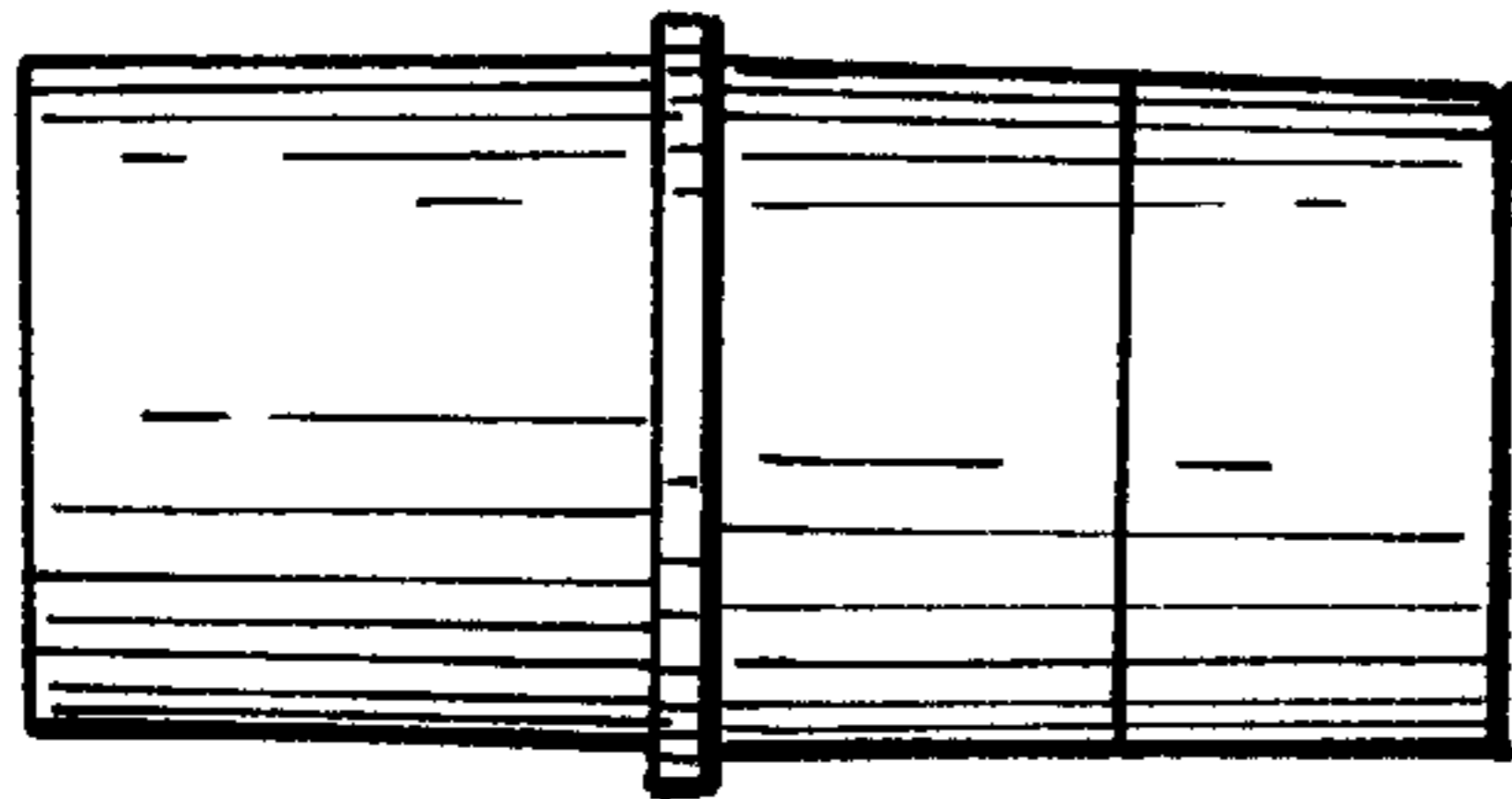


FIG. 6

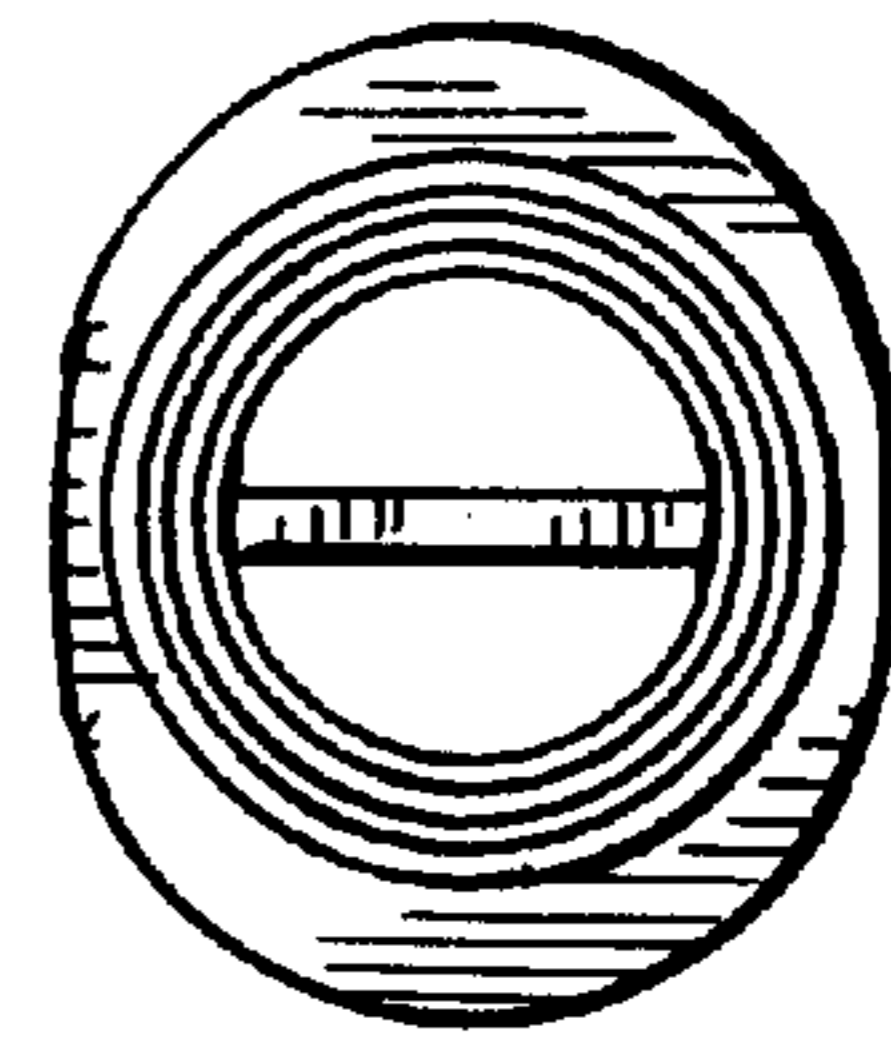


FIG. 7

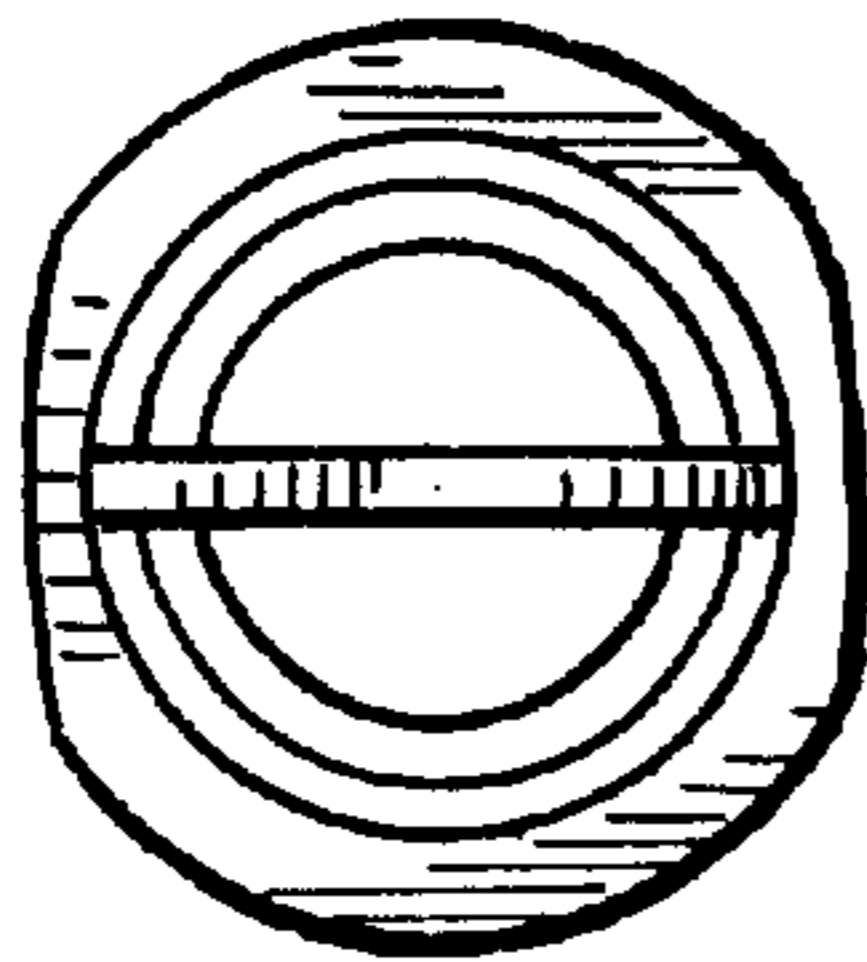


FIG. 8

