



US00D455816S

(12) **United States Design Patent**
Hoffmann

(10) **Patent No.:** **US D455,816 S**

(45) **Date of Patent:** **** Apr. 16, 2002**

(54) **SPRINKLER**

D436,396 S * 1/2001 Chen D23/215

(75) Inventor: **Matthew C. Hoffmann**, Ann Arbor, MI (US)

(73) Assignee: **Bird Brain, Inc.**, Ypsilanti, MI (US)

(**) Term: **14 Years**

(21) Appl. No.: **29/141,845**

(22) Filed: **May 14, 2001**

Related U.S. Application Data

(63) Continuation of application No. 29/126,406, filed on Jul. 14, 2000, now abandoned.

(51) **LOC (7) Cl.** **23-01**

(52) **U.S. Cl.** **D23/214**

(58) **Field of Search** D23/213-215;
239/211, 567, 556, 557

(56) **References Cited**

U.S. PATENT DOCUMENTS

D225,328 S * 12/1972 Margrill D23/214

D412,735 S * 8/1999 Gleason D23/214

D423,640 S * 4/2000 Stokes et al. D23/215

OTHER PUBLICATIONS

Nature's Interior Fountains, "Nature's Interior Fountains Water Loops" advertisement, 1998, U.S. (2 pages).

* cited by examiner

Primary Examiner—Robin V. Taylor

(74) *Attorney, Agent, or Firm*—Young & Basile, P.C.

(57) **CLAIM**

The ornamental design for a sprinkler, as shown and described.

DESCRIPTION

FIG. 1 is a front elevational view of a sprinkler according to the invention;

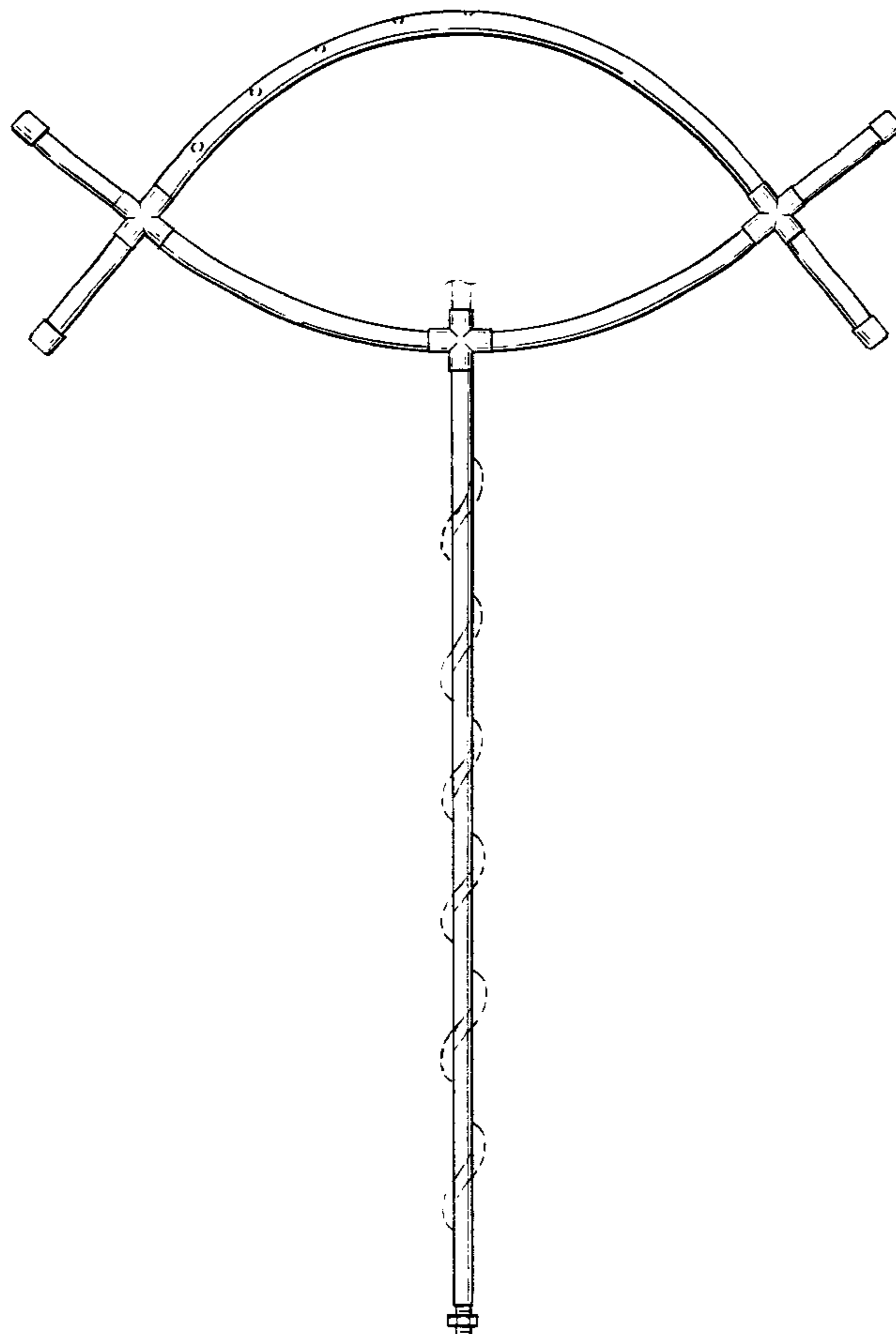
FIG. 2 is a left side elevational view of the sprinkler of FIG. 1, the right side elevational view being identical;

FIG. 3 is a top plan view of the sprinkler of FIG. 1;

FIG. 4 is a bottom plan view of the sprinkler of FIG. 1; and, FIG. 5 is a perspective view of the sprinkler of FIG. 1.

The broken line showing is for illustrative purposes only and forms no part of the claimed design.

1 Claim, 2 Drawing Sheets



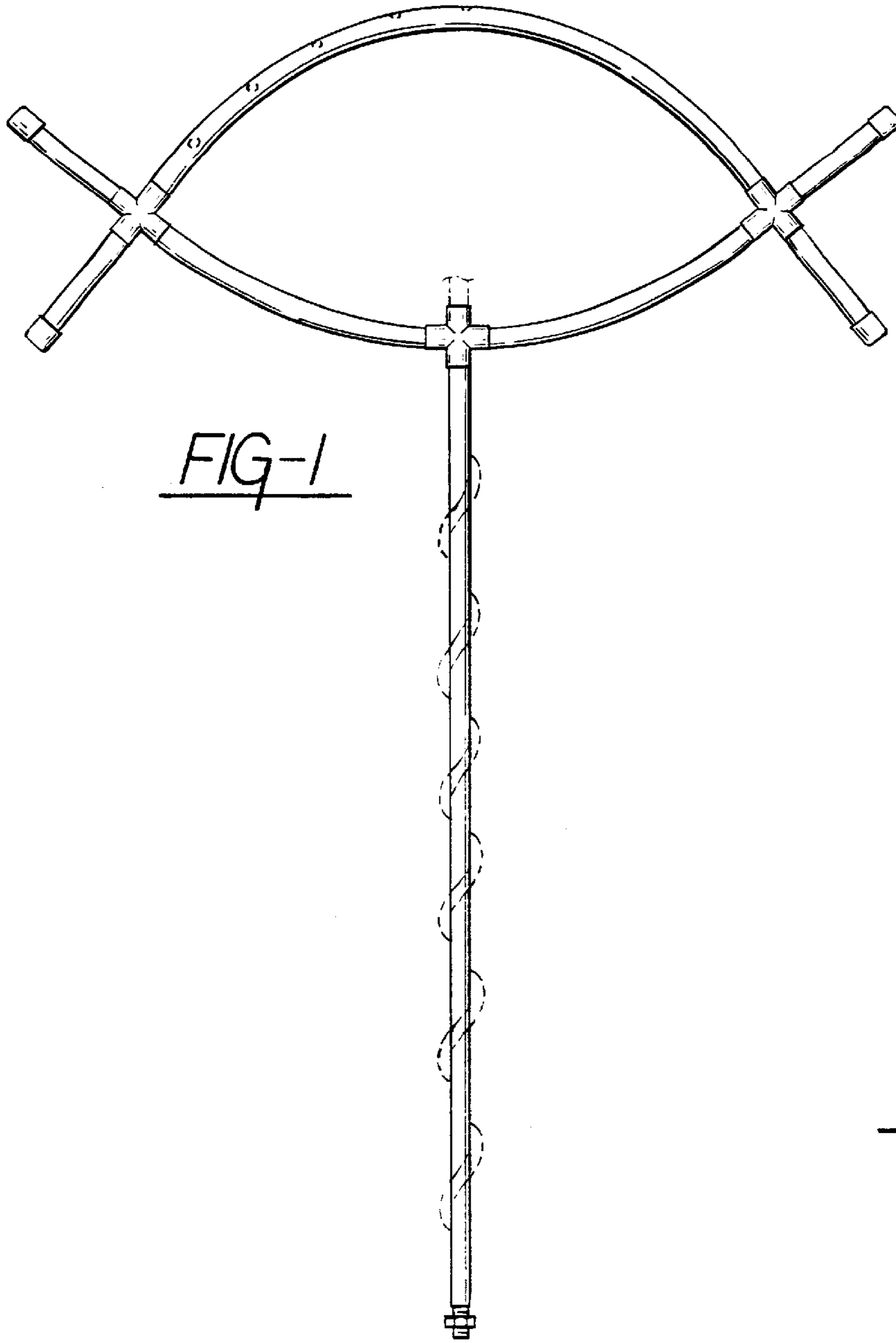


FIG-1



FIG-2

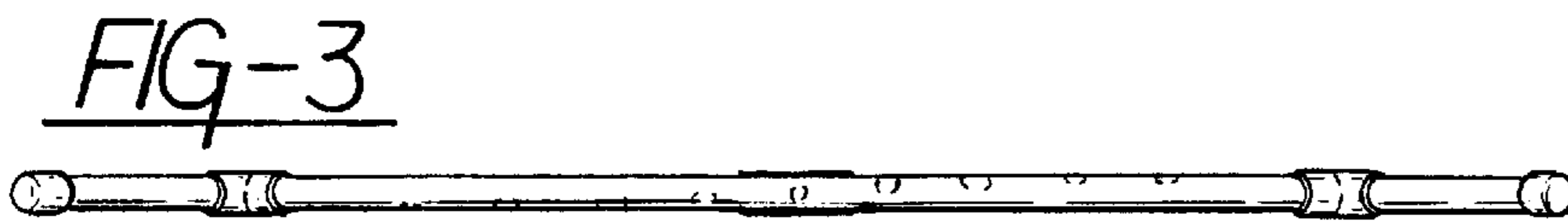


FIG-3

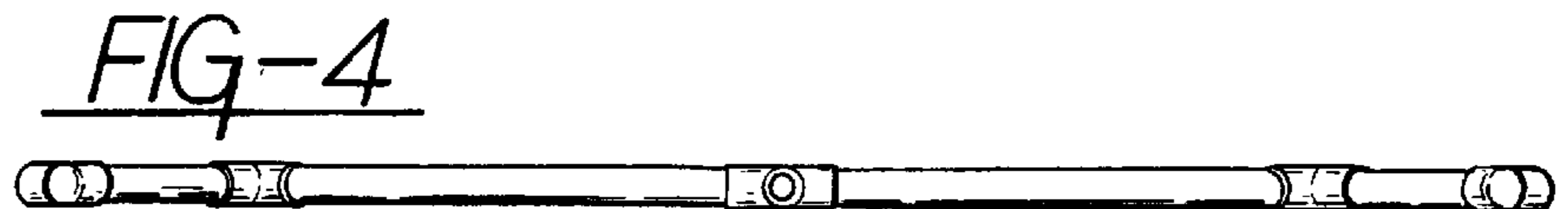


FIG-4

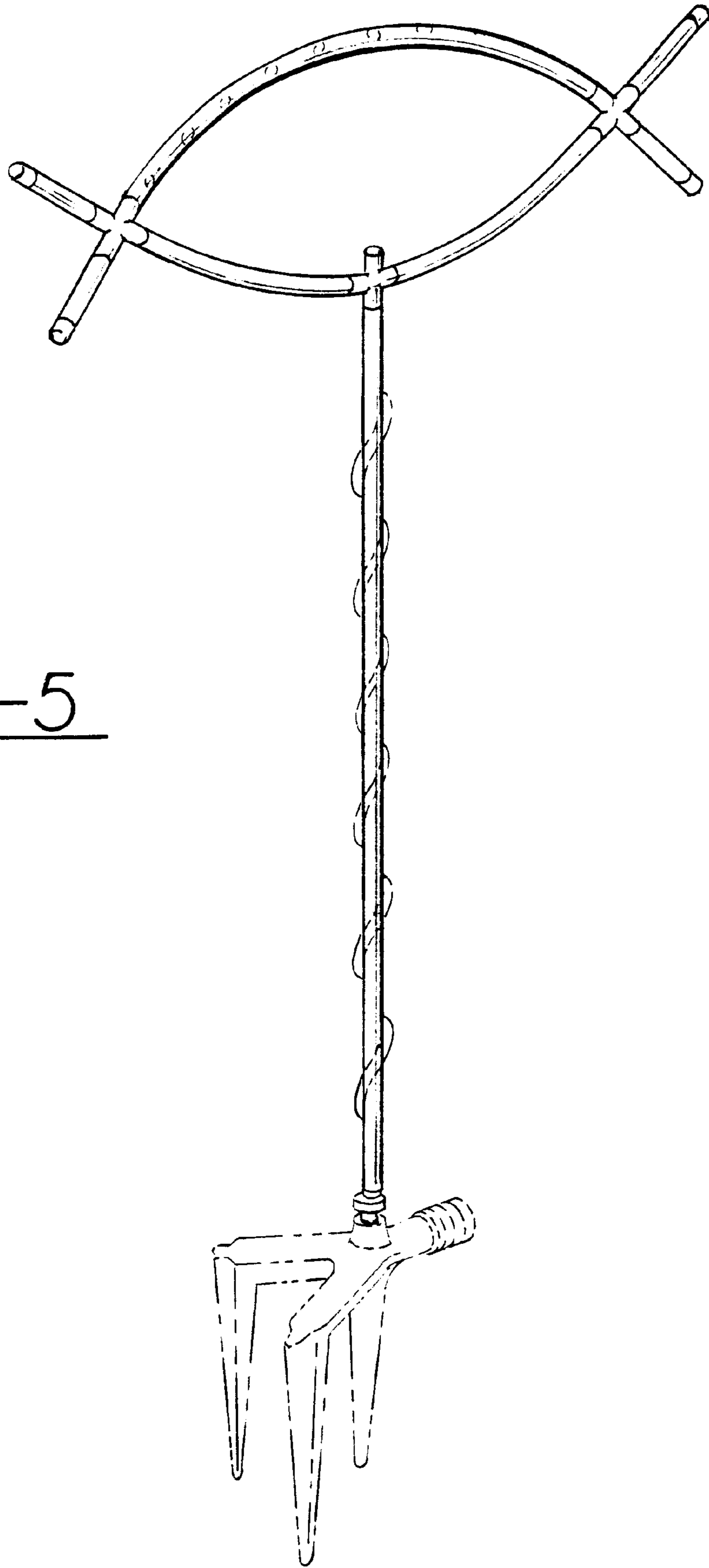


FIG-5