



US00D455814S

(12) **United States Design Patent**  
**Magnusson et al.**

(10) **Patent No.:** **US D455,814 S**

(45) **Date of Patent:** **\*\* Apr. 16, 2002**

(54) **CARTRIDGE FOR A WATER PURIFICATION AND TREATMENT SYSTEM**

(75) Inventors: **Jan H. Magnusson**, Mahtomedi; **Alan Lonneman**, Plymouth; **David M. Botts**, Minneapolis, all of MN (US)

(73) Assignee: **PentaPure Incorporated**, Eagan, MN (US)

(\*\*) Term: **14 Years**

(21) Appl. No.: **29/101,631**

(22) Filed: **Mar. 8, 1999**

**Related U.S. Application Data**

(60) Continuation of application No. 08/984,893, filed on Dec. 4, 1997, now Pat. No. 6,027,644, which is a division of application No. 08/695,134, filed on Aug. 8, 1996, now Pat. No. 5,753,107.

(51) **LOC (7) Cl.** ..... **23-01**

(52) **U.S. Cl.** ..... **D23/209; D23/259**

(58) **Field of Search** ..... 210/109, 136, 210/234, 235, 282; D23/209, 259

(56) **References Cited**

**U.S. PATENT DOCUMENTS**

|             |         |                 |
|-------------|---------|-----------------|
| 2,808,754 A | 10/1957 | Pudio           |
| 2,858,026 A | 10/1958 | Lorimer         |
| 3,746,171 A | 7/1973  | Thomsen         |
| 4,515,692 A | 5/1985  | Chandler et al. |
| 4,877,521 A | 10/1989 | Petrucci et al. |
| D306,754 S  | 3/1990  | Petrucci et al. |
| 4,915,831 A | 4/1990  | Taylor          |
| 4,923,601 A | 5/1990  | Slovak et al.   |

|               |         |                              |
|---------------|---------|------------------------------|
| D313,832 S    | 1/1991  | Petrucci et al.              |
| D317,040 S    | 5/1991  | Petrucci et al.              |
| D321,394 S    | 11/1991 | Petrucci et al.              |
| D322,836 S    | 12/1991 | Petrucci et al.              |
| 5,126,044 A   | 6/1992  | Drori                        |
| 5,167,814 A   | 12/1992 | Pulek                        |
| D334,614 S    | 4/1993  | Biltoft et al.               |
| 5,269,919 A   | 12/1993 | Von Medlin                   |
| 5,328,609 A   | 7/1994  | Magnusson et al.             |
| 5,336,406 A * | 8/1994  | Stanford et al. .... 210/235 |
| 5,354,464 A   | 10/1994 | Magnusson et al.             |
| 5,486,288 A   | 1/1996  | Stanford                     |
| 5,562,824 A   | 10/1996 | Magnusson                    |
| 5,591,332 A   | 1/1997  | Reid et al.                  |
| 5,779,903 A   | 7/1998  | Smith et al.                 |
| 5,826,854 A * | 10/1998 | Janvrin et al. .... 210/234  |
| D410,064 S *  | 5/1999  | Hunter et al. .... D23/209   |
| 5,914,037 A * | 6/1999  | Yen ..... 210/234            |

\* cited by examiner

*Primary Examiner*—Robin V. Taylor

(74) *Attorney, Agent, or Firm*—Patterson, Thuente, Skaar & Christensen, P.A.

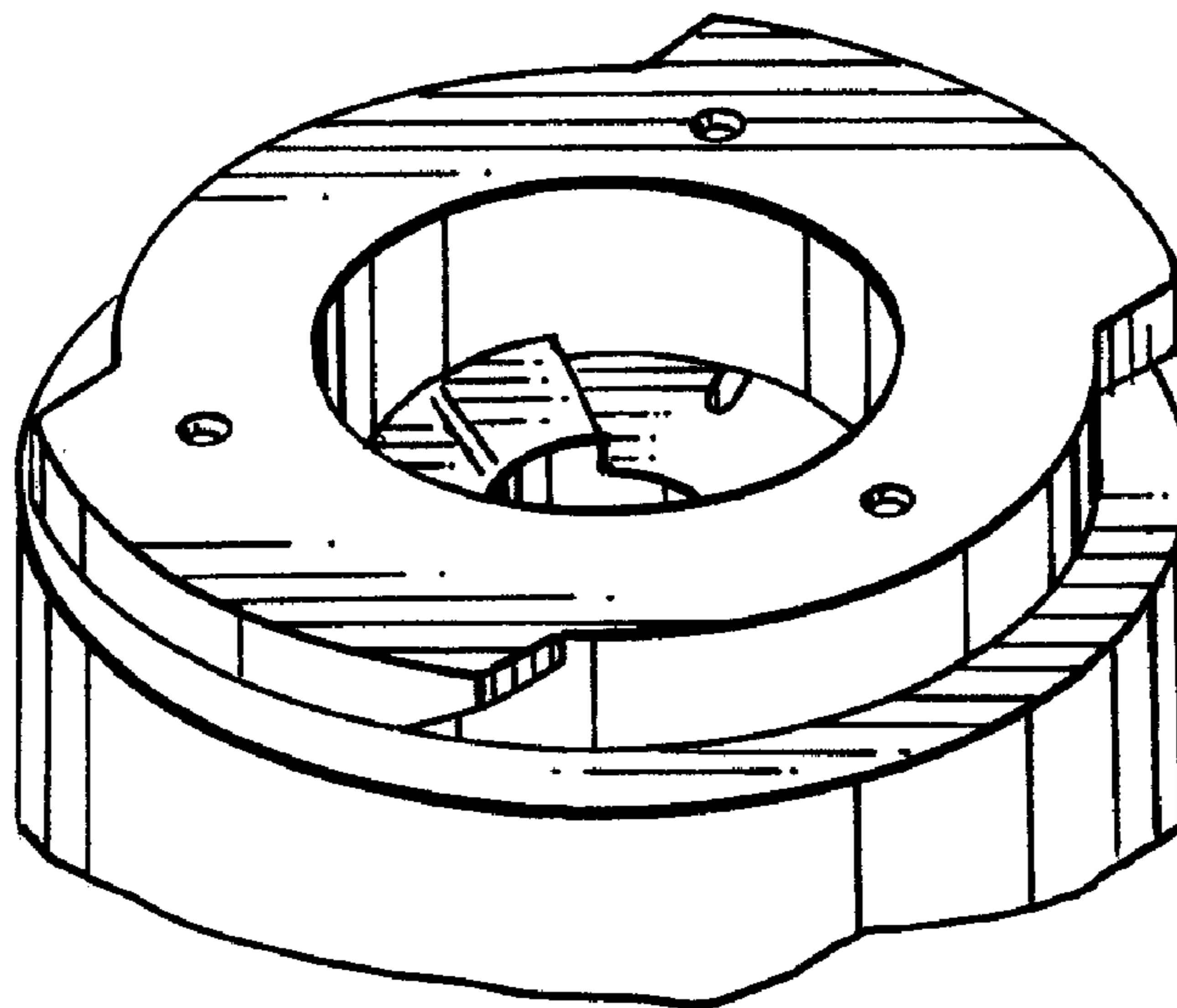
(57) **CLAIM**

The ornamental design for cartridge for a water purification and treatment system, as shown and described.

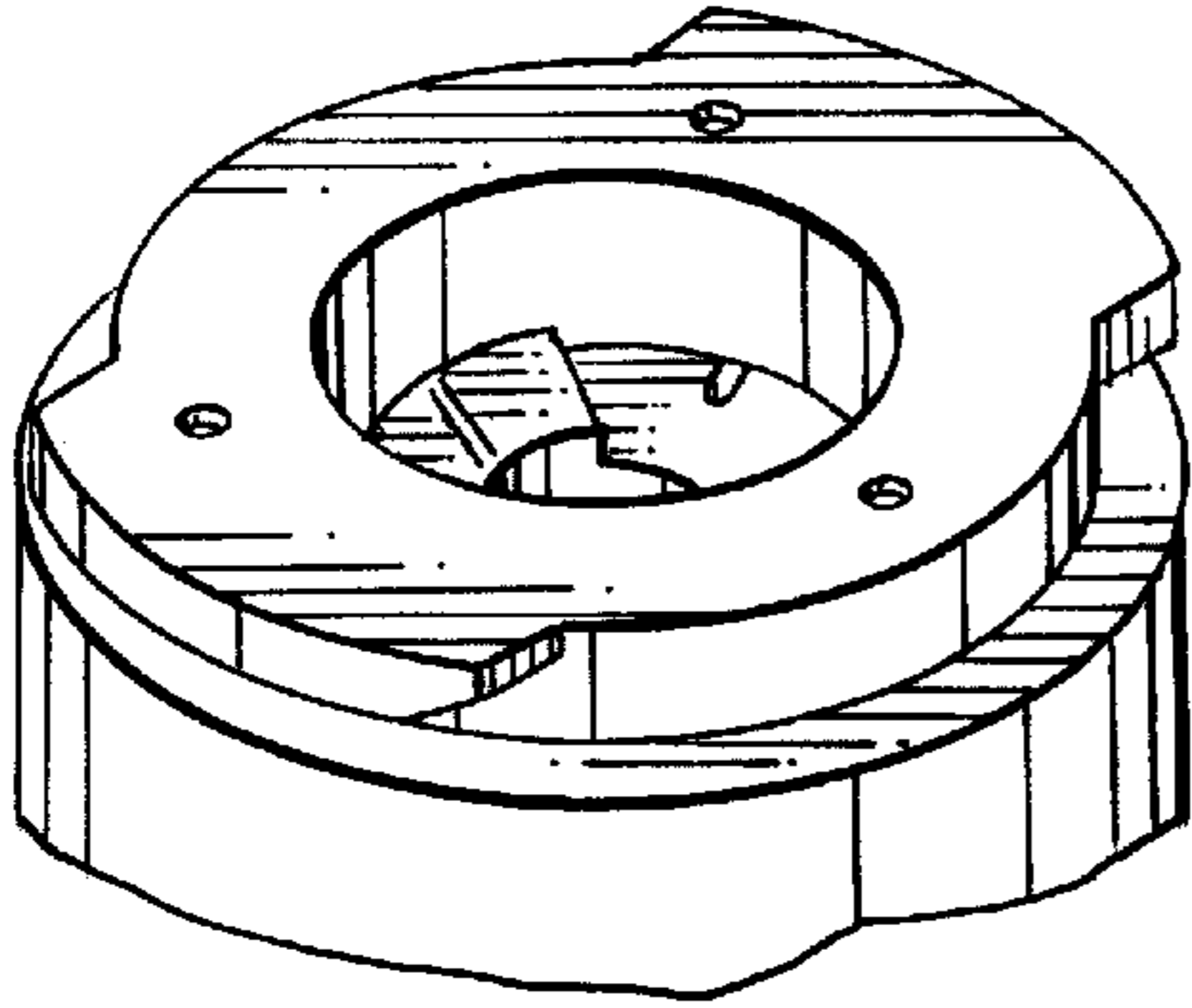
**DESCRIPTION**

FIG. 1 is a perspective view of the design subject; FIG. 2 is a front elevational view thereof; FIG. 3 is a right side elevational view thereof with the left side being a mirror image; FIG. 4 is a top plan view thereof; and, FIG. 5 is a bottom plan view.

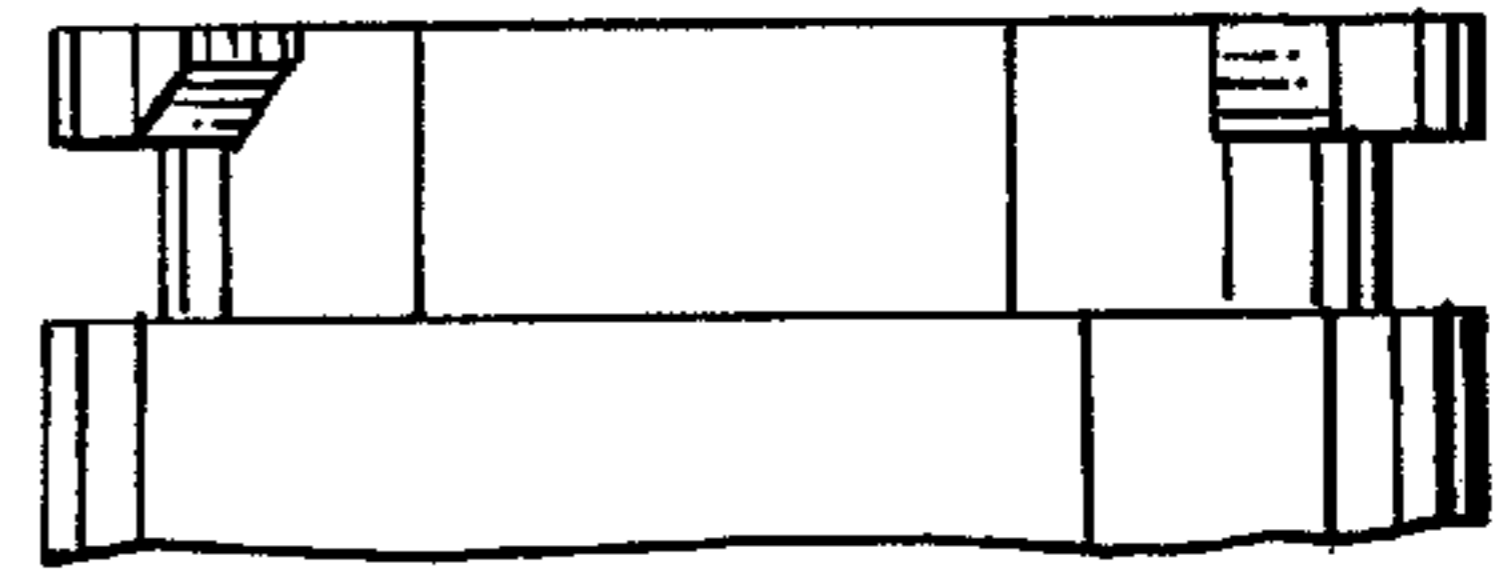
**1 Claim, 1 Drawing Sheet**



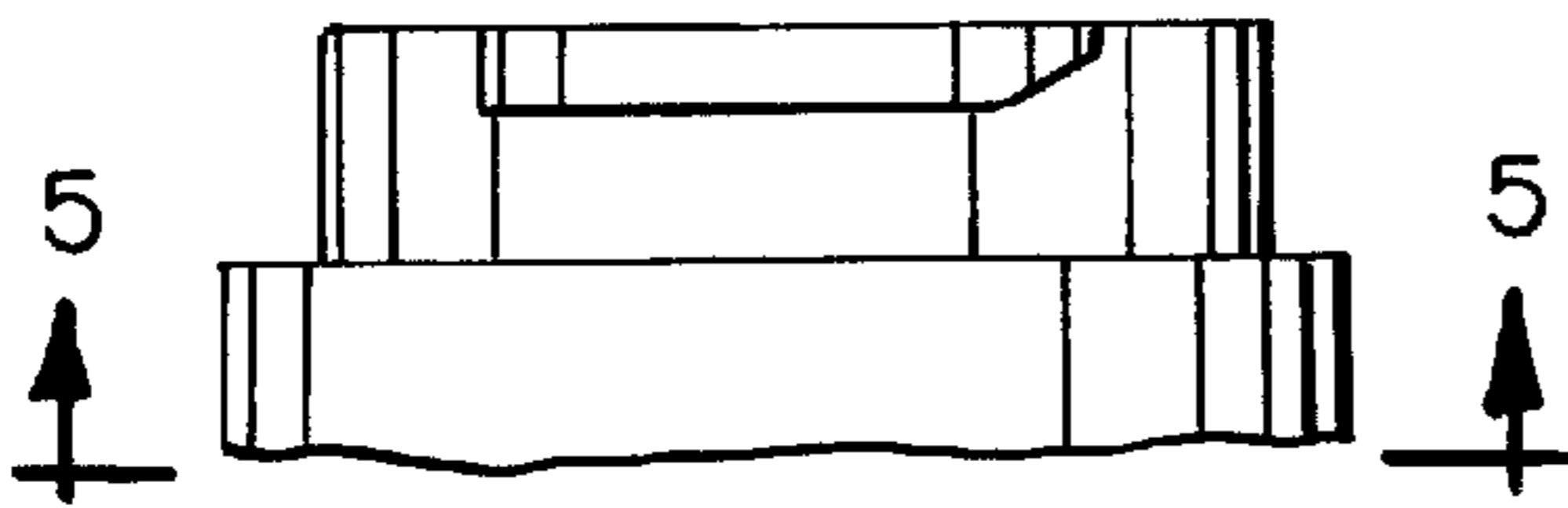
**Fig. 1**



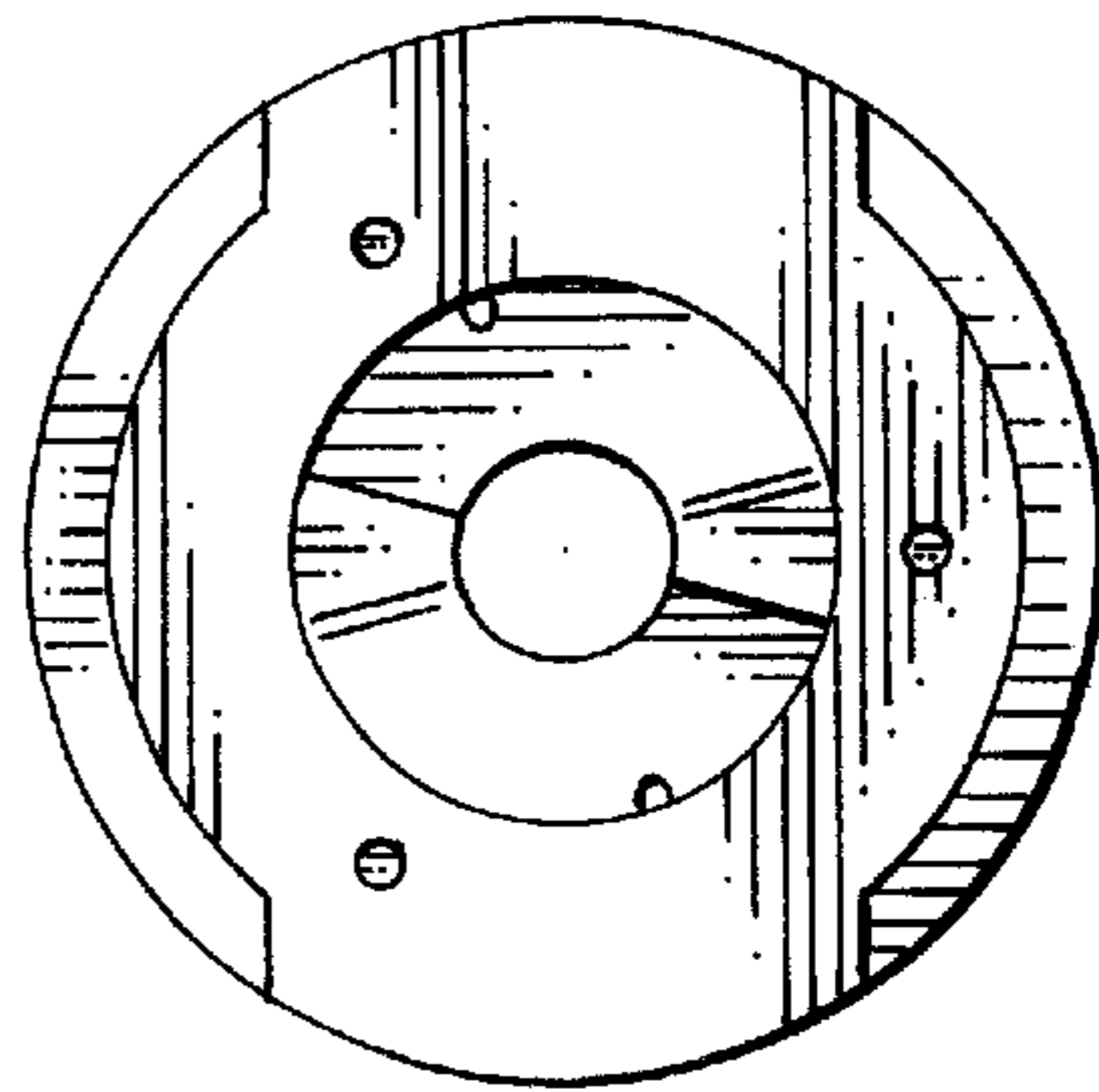
**Fig. 2**



**Fig. 3**



**Fig. 4**



**Fig. 5**

