



US00D455812S

(12) **United States Design Patent**
Sanchez

(10) **Patent No.:** **US D455,812 S**

(45) **Date of Patent:** **** Apr. 16, 2002**

(54) **MULTI-PURPOSE DEVICE FOR FISHING AND FISHING ACCESSORIES**

D375,997 S * 11/1996 Tipp D22/149

* cited by examiner

(76) **Inventor:** **Benito Rivera Sanchez**, Ave. Betances, Num. 187, Bayamon, PR (US) 00959

Primary Examiner—Catherine R. Oliver

(74) *Attorney, Agent, or Firm*—Melvin I. Stoltz

(**) **Term:** **14 Years**

(57) **CLAIM**

(21) **Appl. No.:** **29/133,579**

The ornamental design for a multi-purpose device for fishing and fishing accessories, as shown and described.

(22) **Filed:** **Dec. 4, 2000**

DESCRIPTION

(51) **LOC (7) Cl.** **22-05**

(52) **U.S. Cl.** **D22/134; D22/149**

(58) **Field of Search** D22/134, 149, D22/150, 199; 43/25-4; D26/37-39

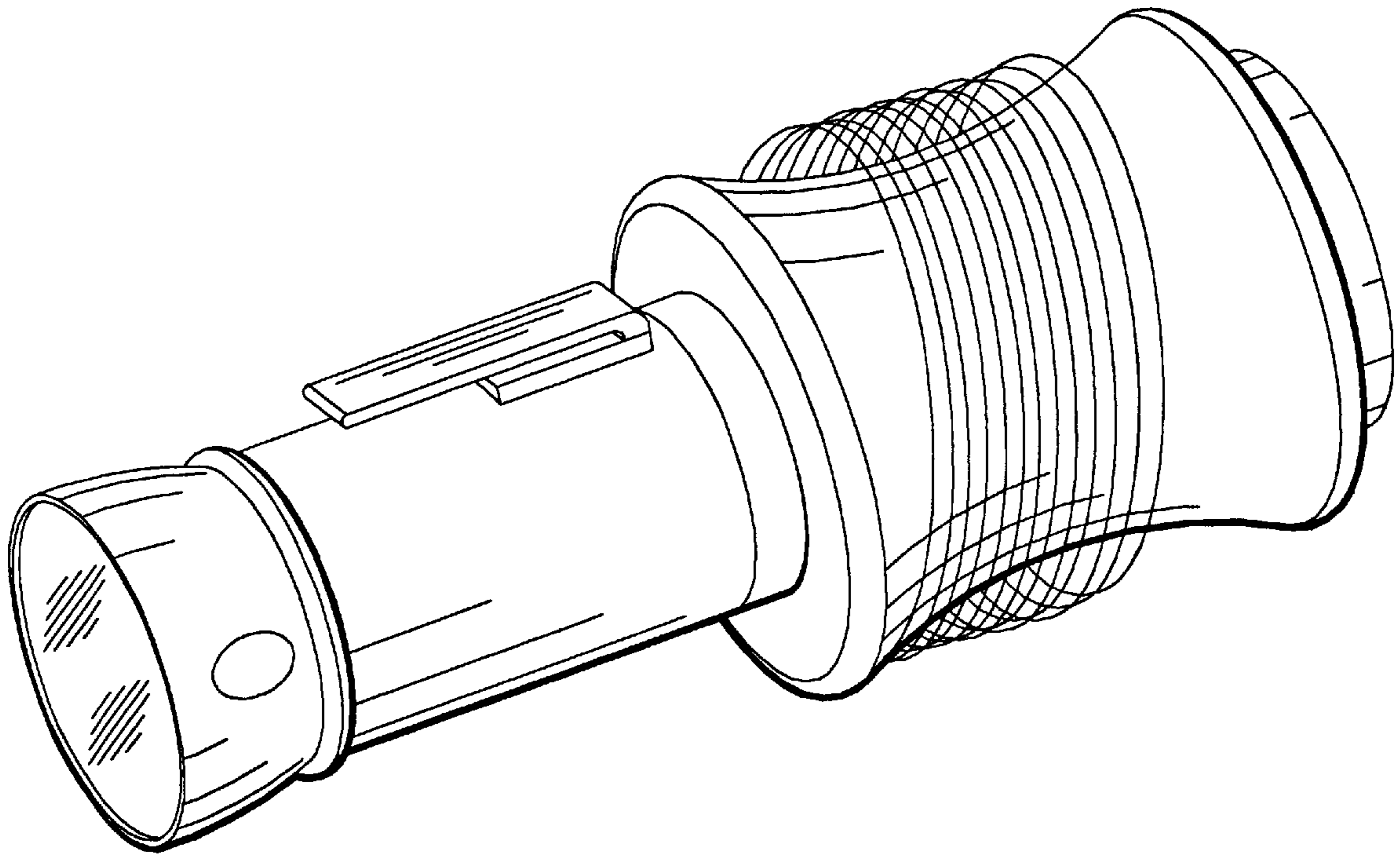
FIG. 1 is a perspective view of the multi-purpose device for fishing and fishing accessories showing my new design; FIG. 2 is a side elevational view thereof, the opposite side being a mirror image thereof; FIG. 3 is a front elevational view thereof; FIG. 4 is a top plan view thereof; FIG. 5 is a rear elevational view thereof; and, FIG. 6 is a bottom plan view thereof.

(56) **References Cited**

U.S. PATENT DOCUMENTS

- D164,209 S * 8/1951 Uttz D22/149
- D291,227 S * 8/1987 Evans D22/149
- 4,823,498 A * 4/1989 Banta 43/25
- 5,136,744 A * 8/1992 Allsop et al. D22/149 X

1 Claim, 3 Drawing Sheets



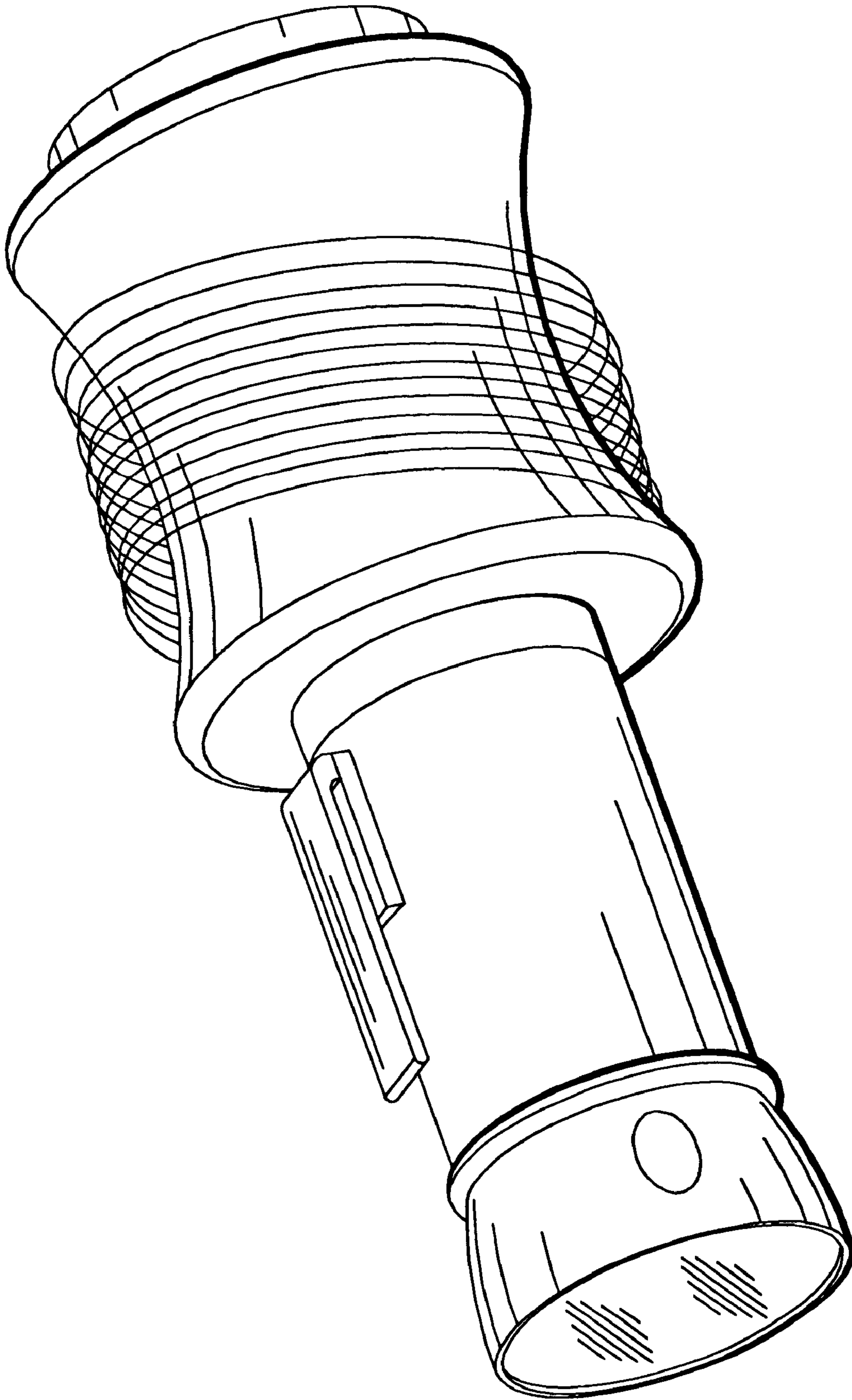


FIG. 1

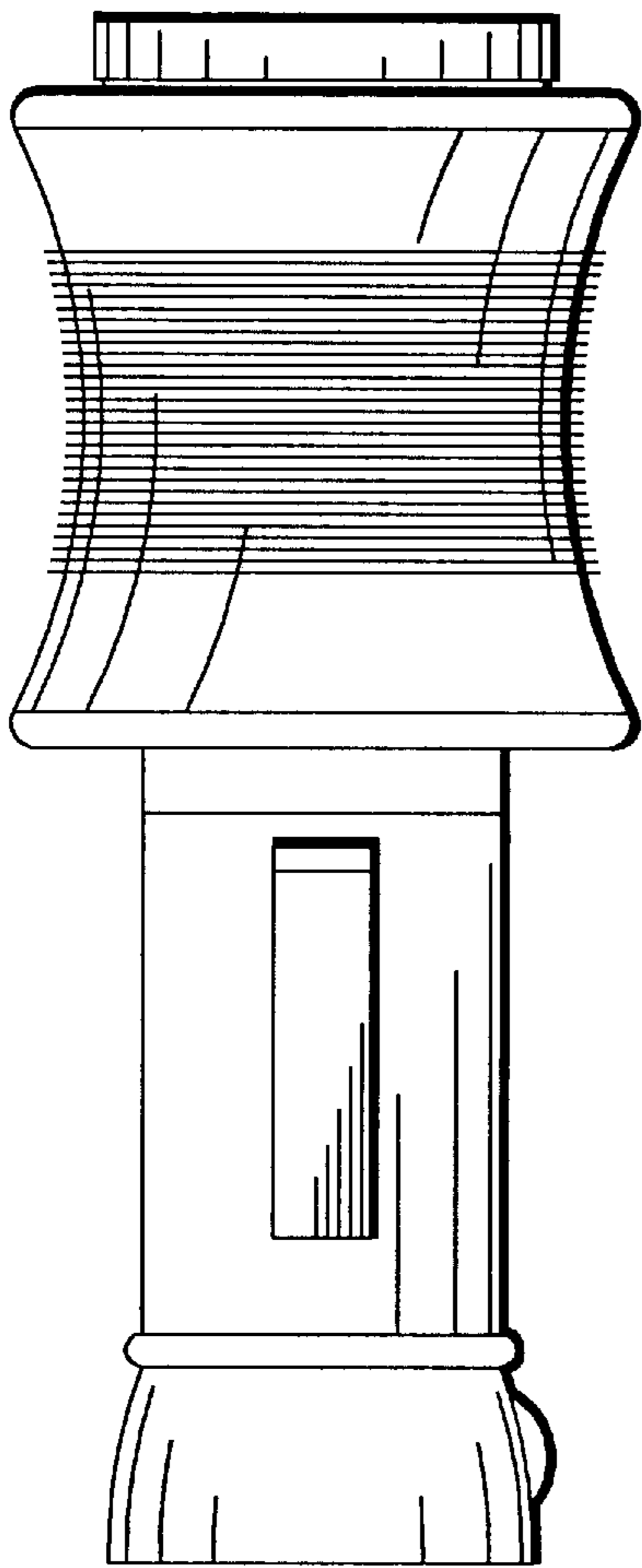


FIG. 2

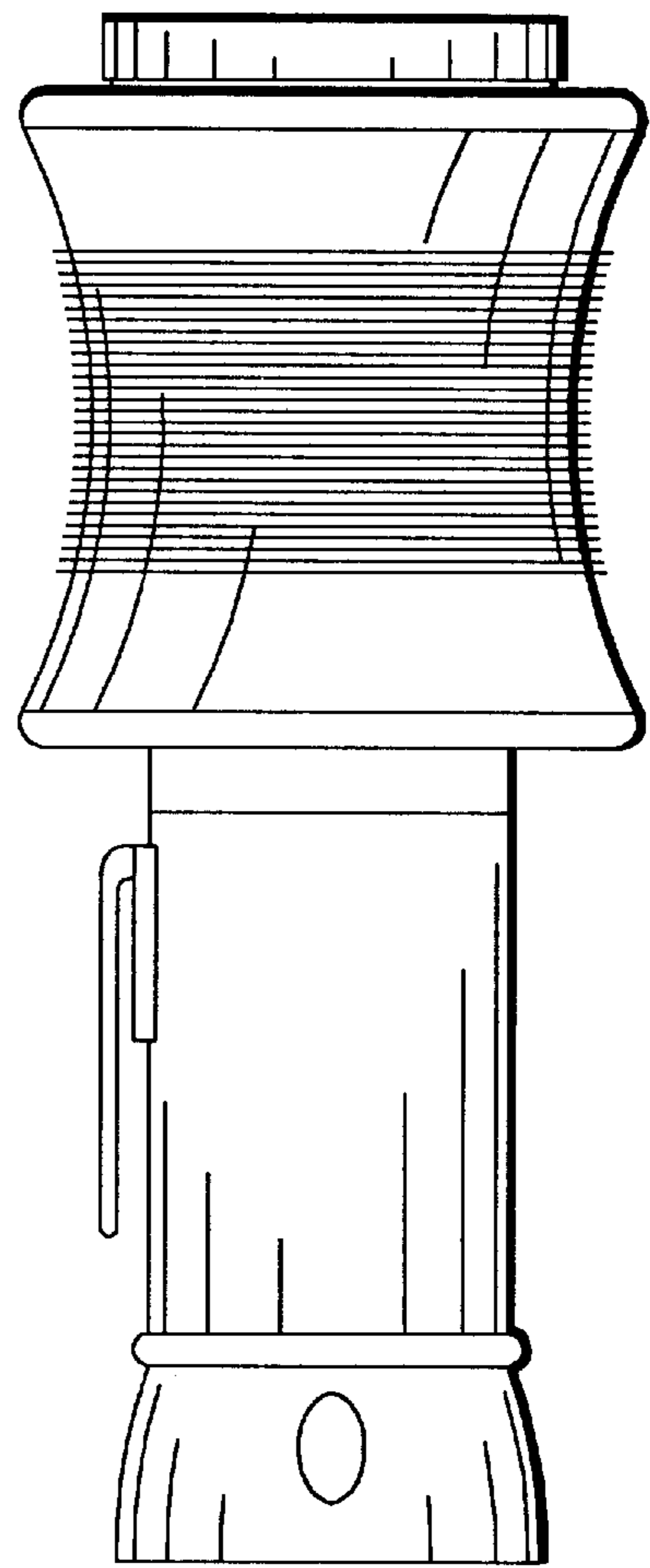


FIG. 3

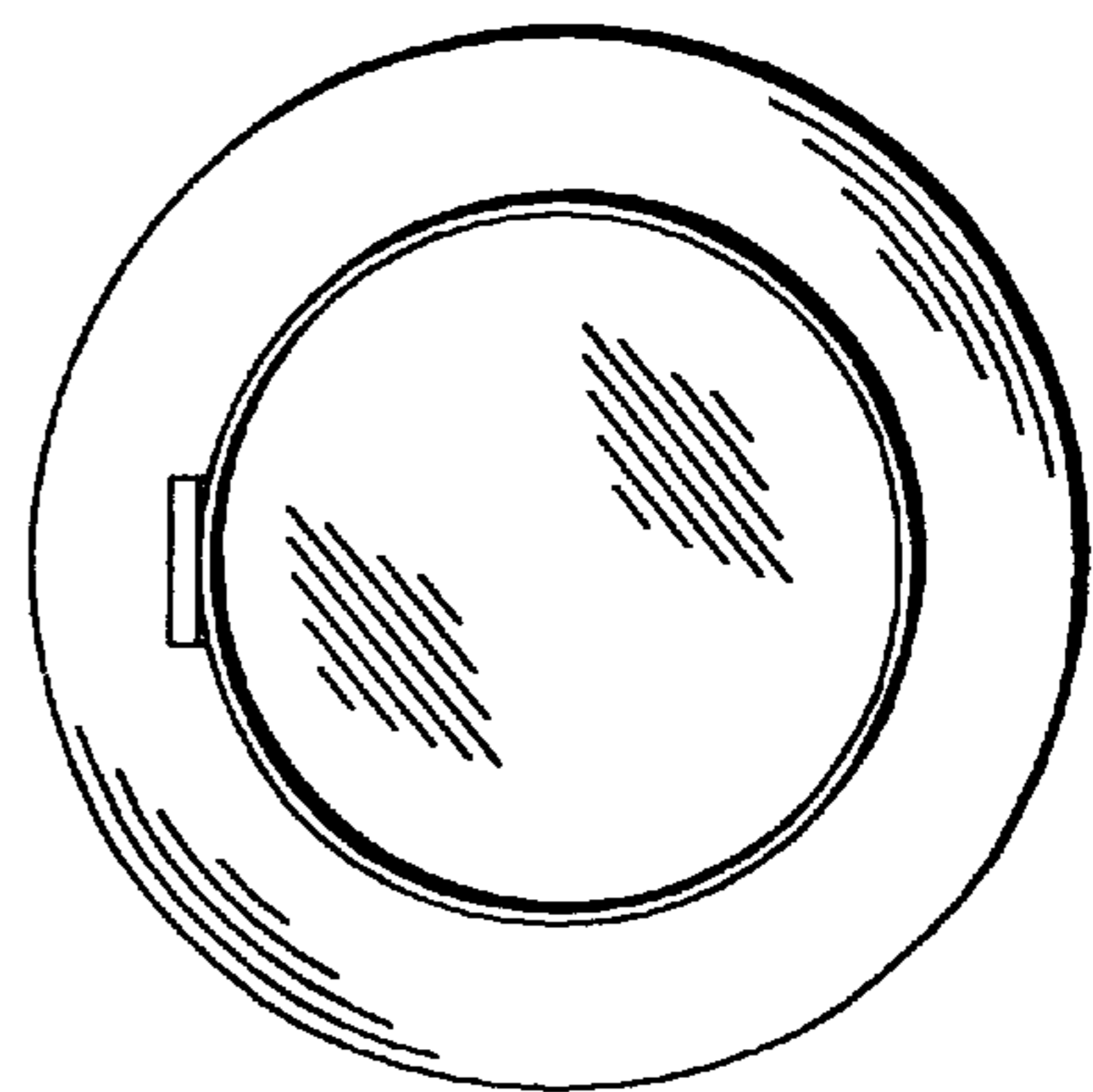


FIG. 4

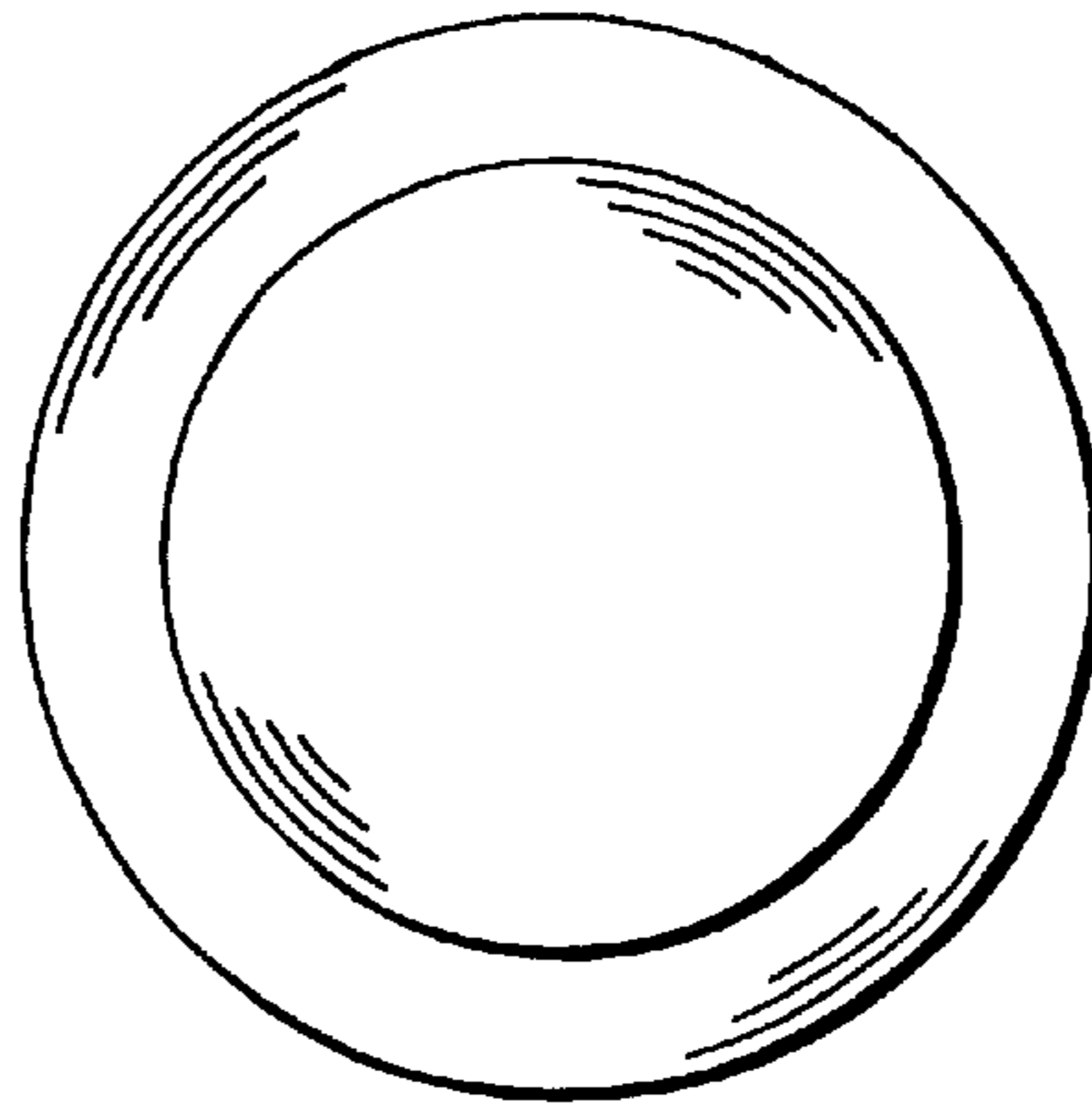


FIG. 5

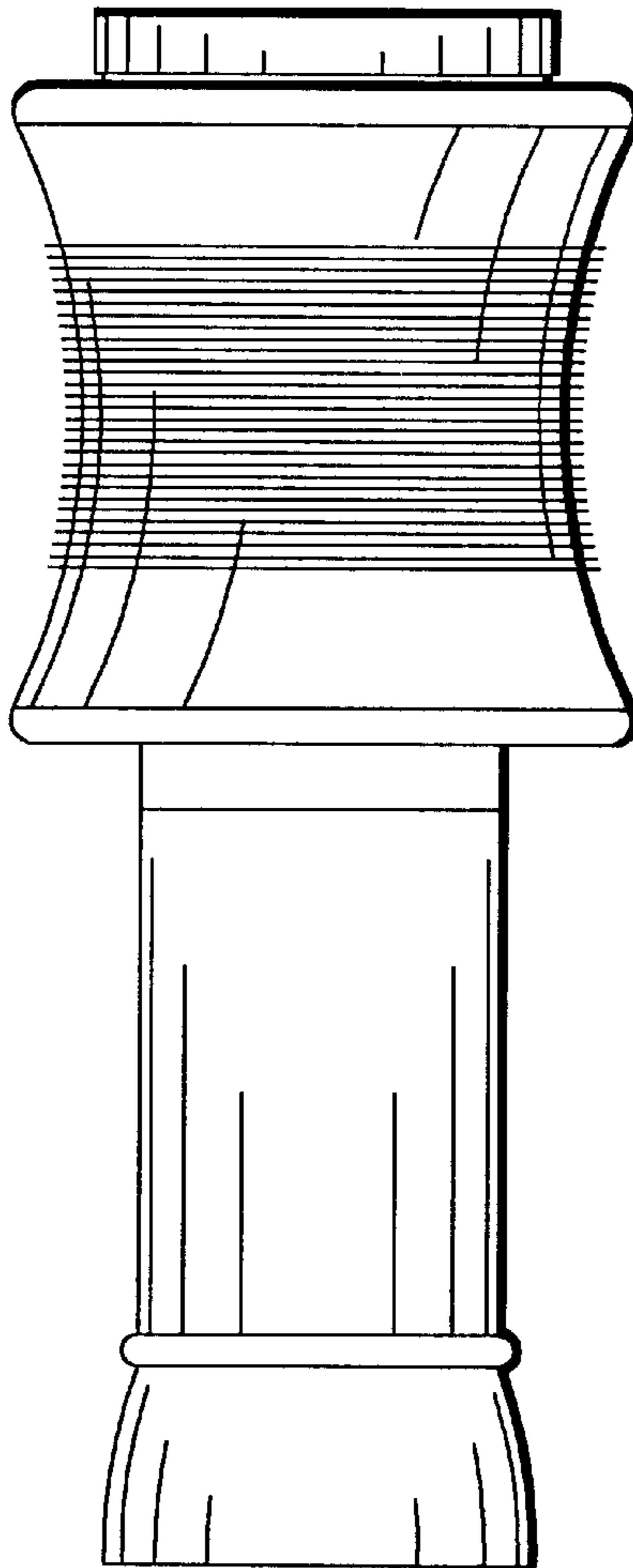


FIG. 6