



US00D455808S

(12) **United States Design Patent** (10) **Patent No.:** **US D455,808 S**
Katoh et al. (45) **Date of Patent:** **** Apr. 16, 2002**

(54) **FORTUNE TELLING DEVICE**

(74) *Attorney, Agent, or Firm*—Jordan and Hamburg LLP

(75) Inventors: **Yoshimi Katoh, Mie; Satoshi Sugiyama, 2-7, Uji Urata 3-chome, Ise-shi, Mie, 516-0026, both of (JP)**

(57) **CLAIM**

The ornamental design for a fortune telling device, as shown and described.

(73) Assignee: **Satoshi Sugiyama, Mie (JP)**

DESCRIPTION

(**) Term: **14 Years**

(21) Appl. No.: **29/139,955**

(22) Filed: **Apr. 9, 2001**

(51) **LOC (7) Cl.** **21-03**

(52) **U.S. Cl.** **D21/813; D21/385**

(58) **Field of Search** **D21/334–368, D21/385, 386, 813; 273/236–288, 161**

(56) **References Cited**

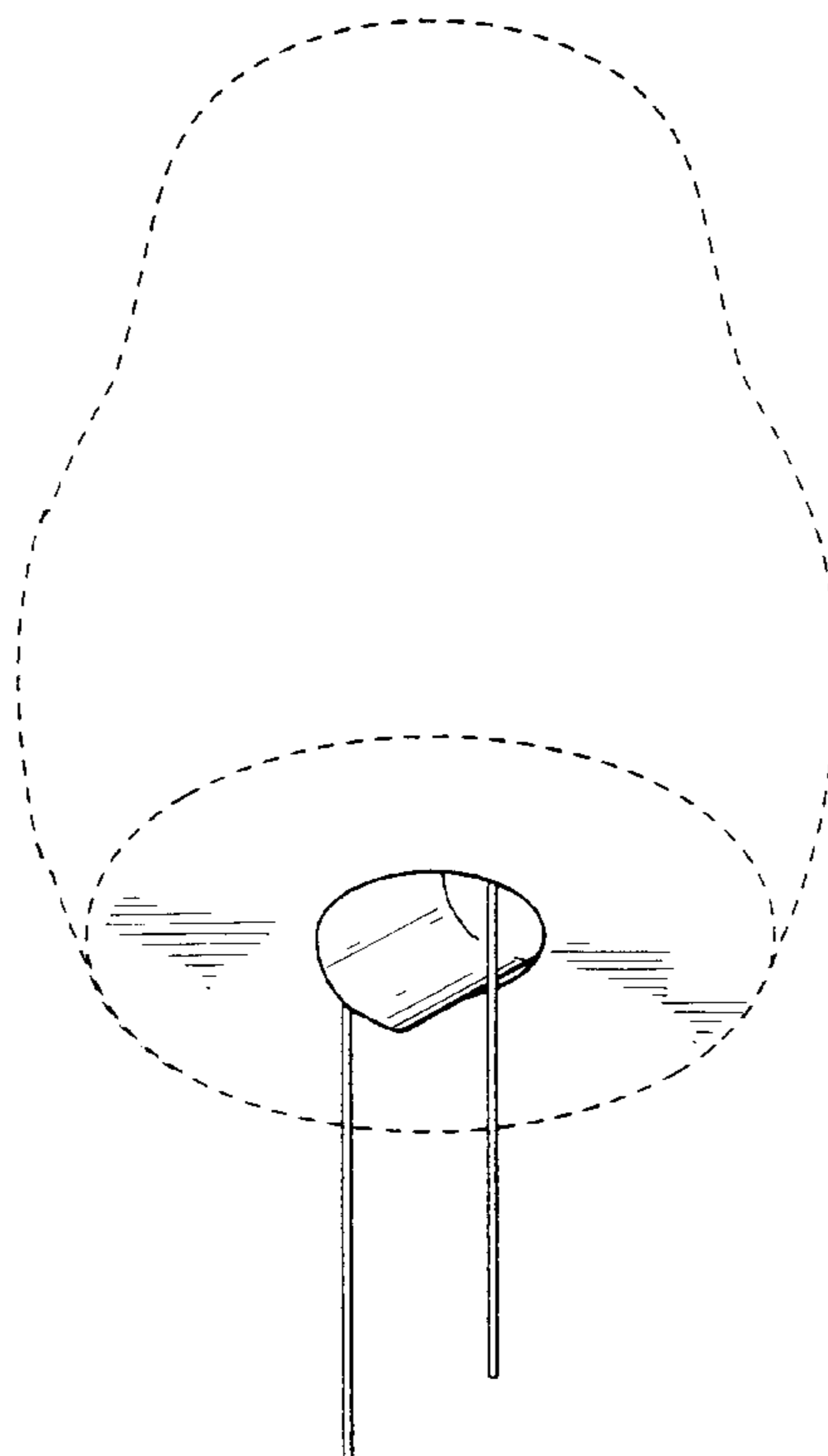
U.S. PATENT DOCUMENTS

446,054	A	*	2/1891	Bond	273/161
619,236	A	*	2/1899	Simonds	273/161
D56,085	S	*	8/1920	Vanderkamp	D21/813
1,400,791	A	*	12/1921	Bigelow	273/161
1,700,016	A	*	1/1929	Belanger	273/281
3,417,997	A	*	12/1968	Barlow et al.	273/161
4,116,445	A	*	9/1978	Forbes	273/161
4,753,439	A	*	6/1988	O'Brian	273/161
5,636,840	A	*	6/1997	Gardner et al.	273/161

* cited by examiner

Primary Examiner—Sandra L. Morris

1 Claim, 5 Drawing Sheets



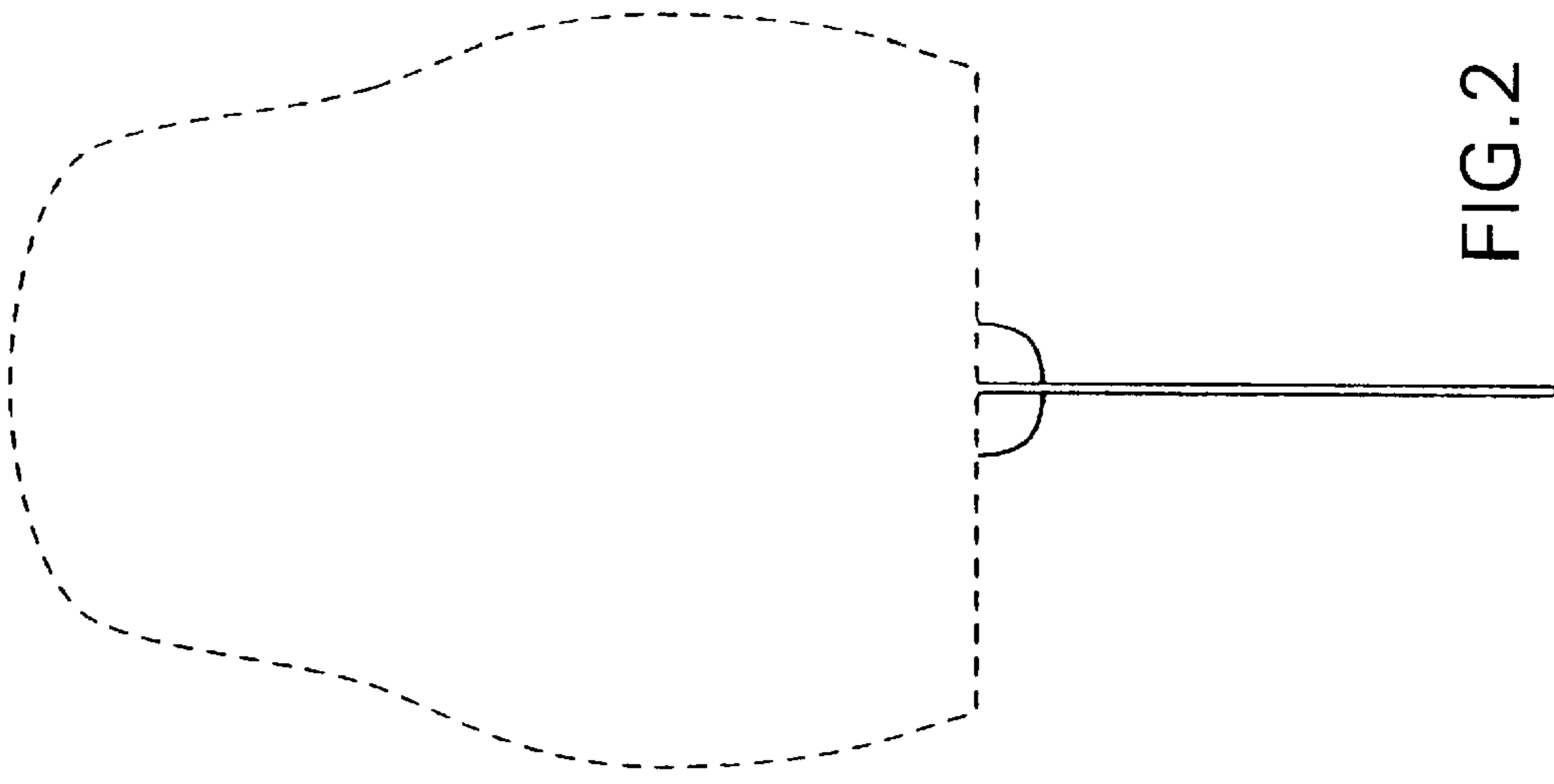


FIG. 2

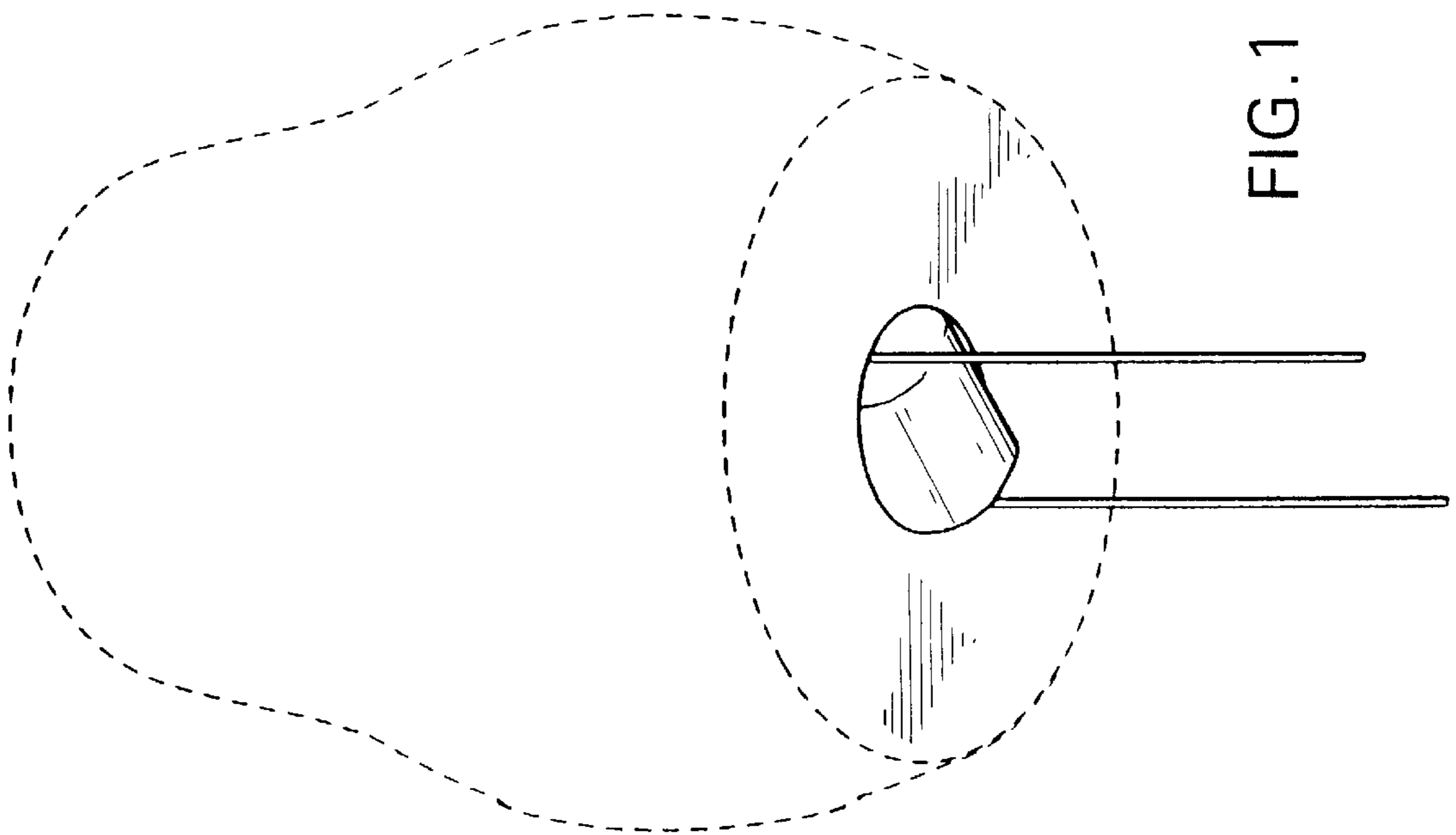


FIG. 1

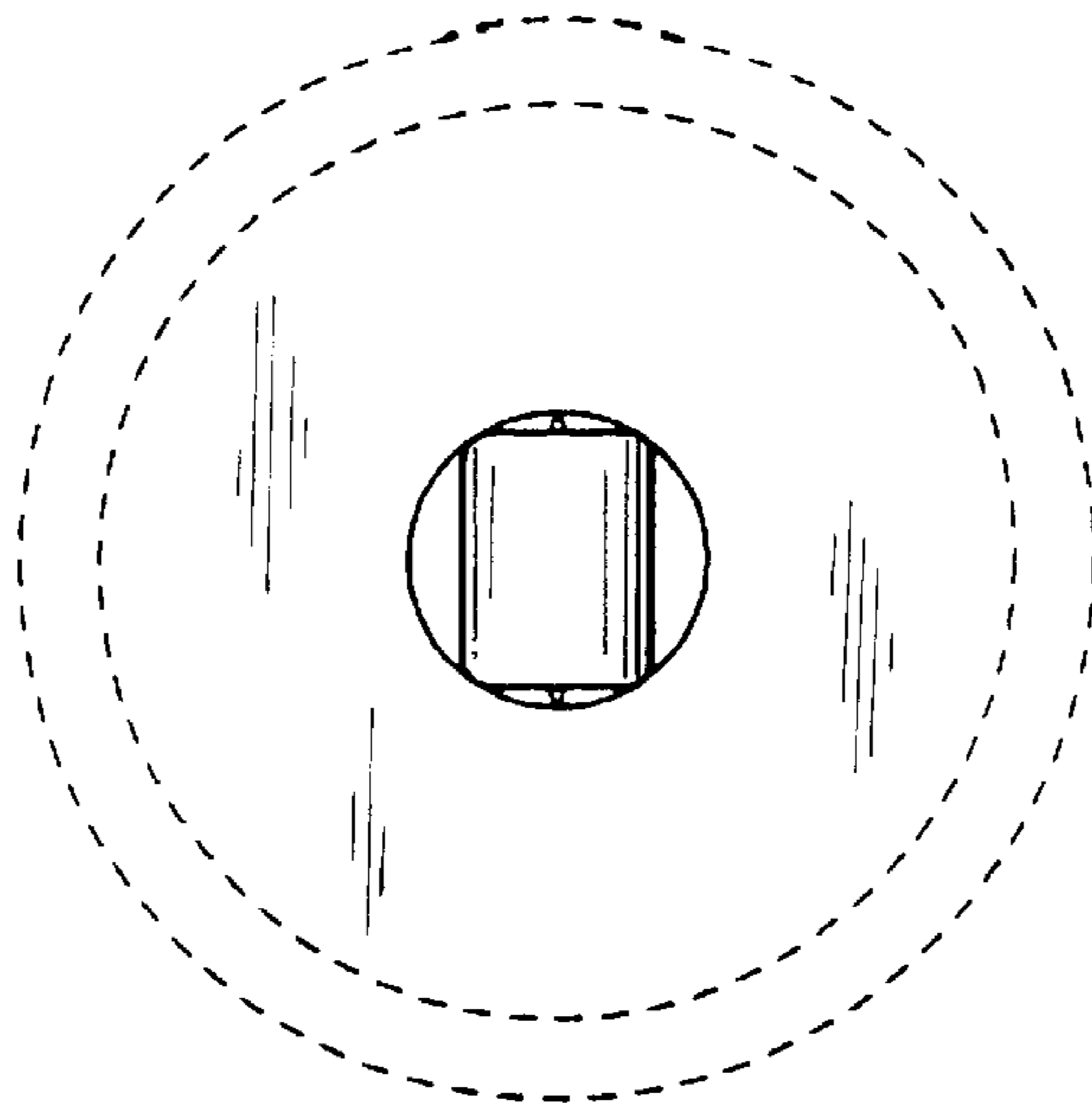


FIG. 3

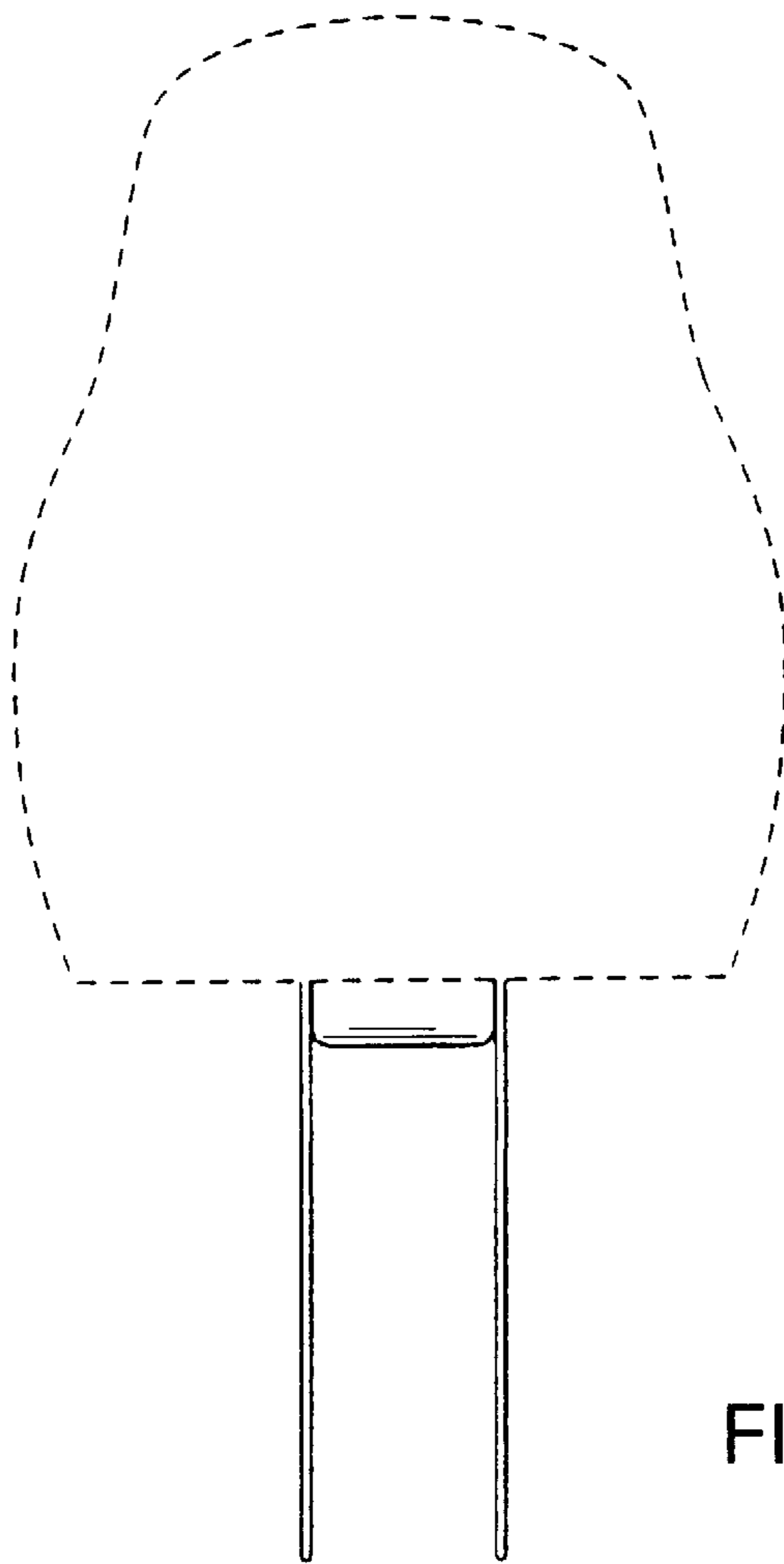


FIG. 4

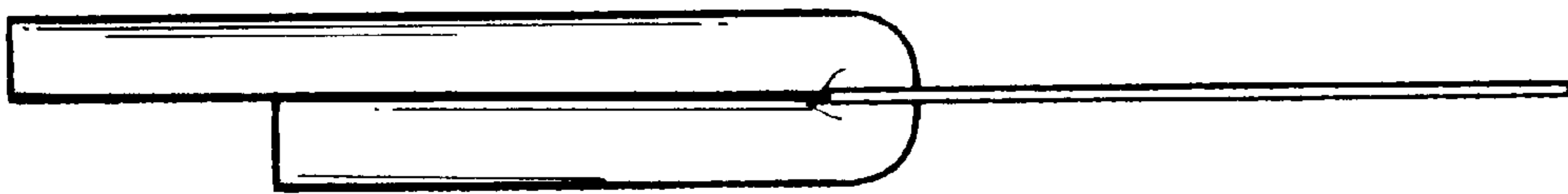


FIG. 5

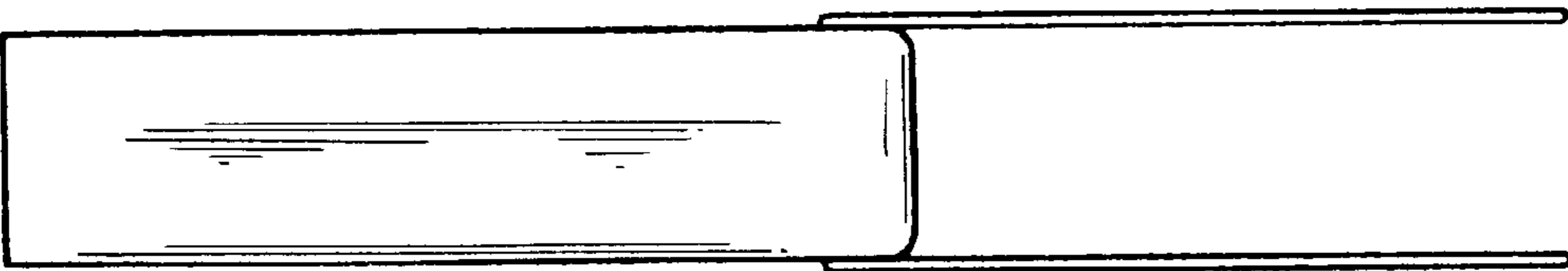


FIG. 6

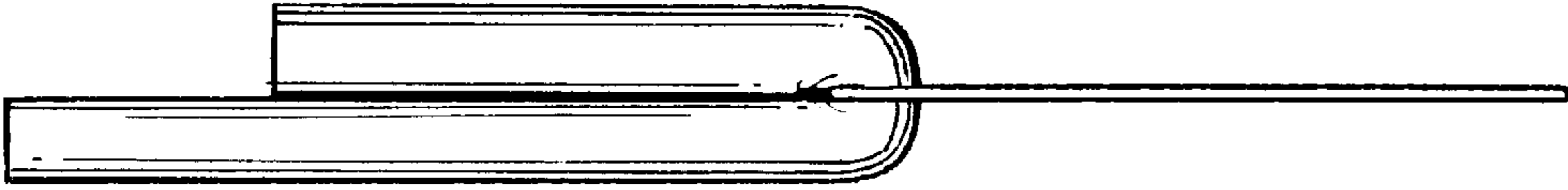


FIG. 7

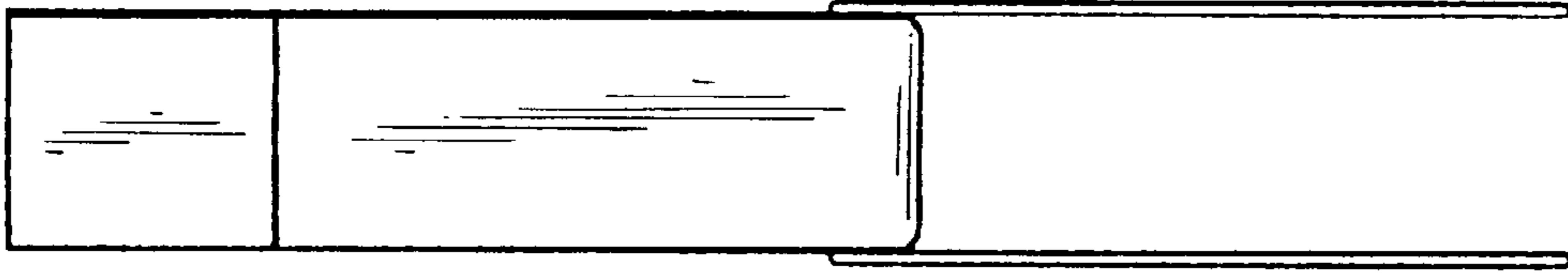


FIG. 8

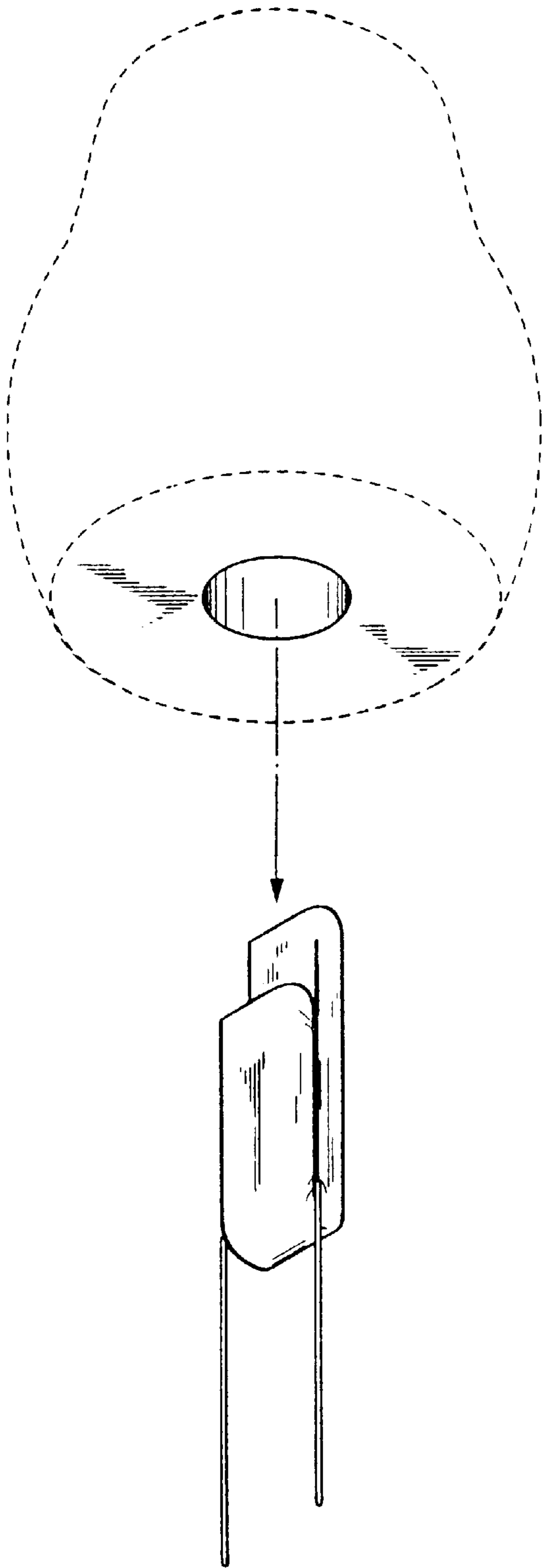


FIG. 11

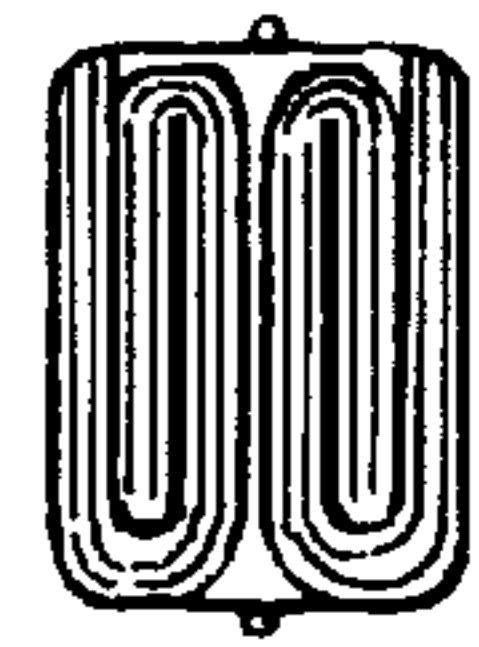


FIG. 9

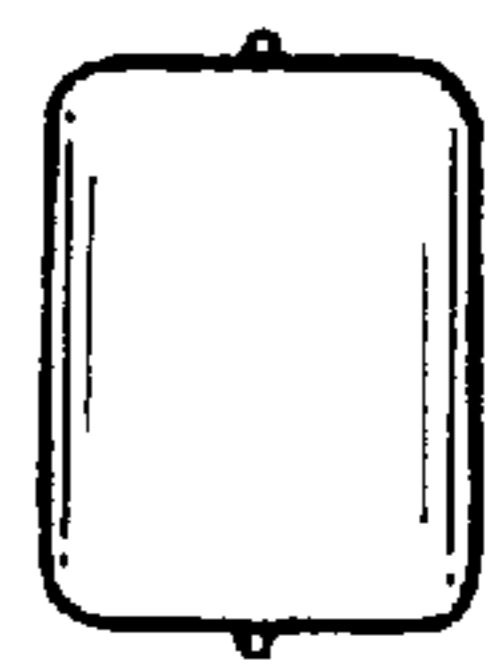


FIG. 10

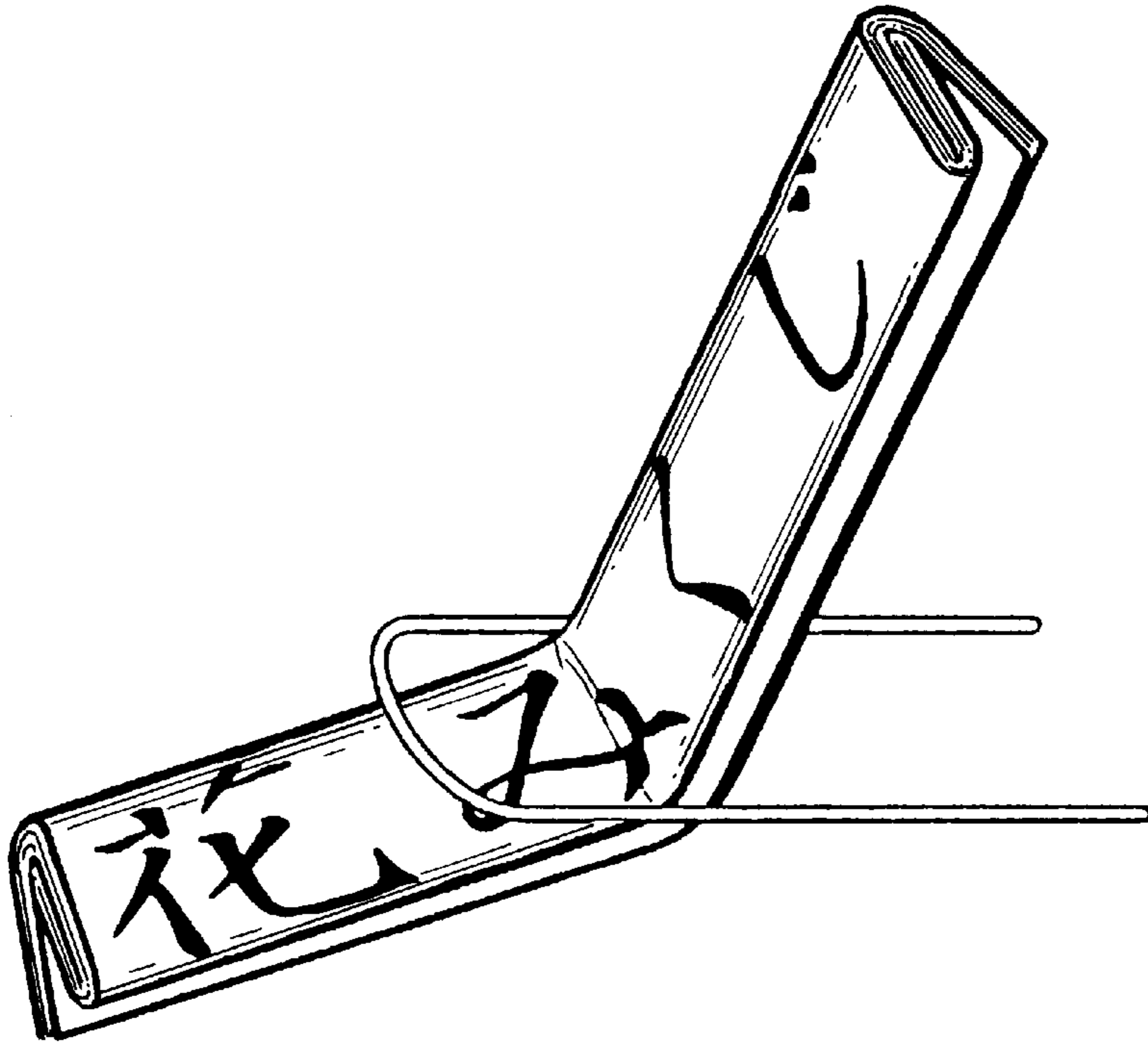


FIG. 13

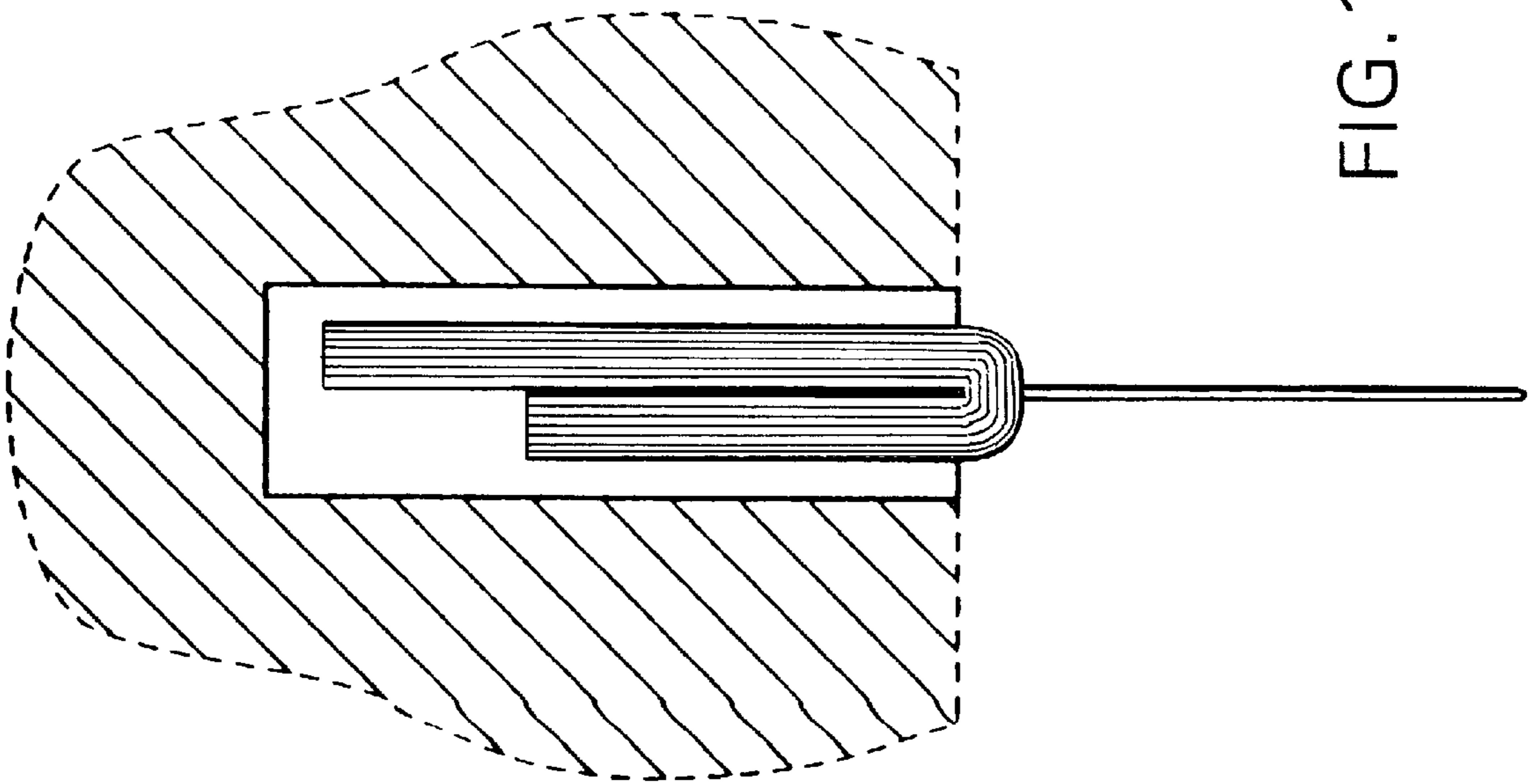


FIG. 12