



US00D455804S

(12) **United States Design Patent**  
**Allen**

(10) **Patent No.:** **US D455,804 S**

(45) **Date of Patent:** **\*\* Apr. 16, 2002**

(54) **BALL RETRIEVER**

(76) Inventor: **Donald L. Allen**, 5430 Sharon View Rd., Charlotte, NC (US) 28226

(\*\*) Term: **14 Years**

(21) Appl. No.: **29/141,568**

(22) Filed: **May 9, 2001**

(51) **LOC (7) Cl.** ..... **21-02**

(52) **U.S. Cl.** ..... **D21/721**

(58) **Field of Search** ..... D21/721, 789;  
294/19.2

(56) **References Cited**

**U.S. PATENT DOCUMENTS**

3,136,573	A	*	6/1964	Harke	.....	294/19.2
3,306,649	A	*	2/1967	Zagwyn	.....	294/19.2
D306,058	S	*	2/1990	Blake	.....	D21/721
D349,739	S	*	8/1994	Kahl, Jr.	.....	D21/721
D360,918	S	*	8/1995	Carlson	.....	D21/721
D380,025	S	*	6/1997	Digerness et al.	.....	D21/721
D424,144	S	*	5/2000	Sullivan	.....	D21/721

\* cited by examiner

*Primary Examiner*—Dominic Simone

(74) *Attorney, Agent, or Firm*—Dougherty & Clements LLP

(57) **CLAIM**

The ornamental design for a ball retriever, as shown and described.

**DESCRIPTION**

FIG. 1 is a perspective view of my ball retriever, showing

my new design, with a ball shown in the retriever in dotted lines;

FIG. 2 is a bottom view of the retriever of FIG. 1;

FIG. 3 is a front view thereof;

FIG. 4 is a right side view thereof;

FIG. 5 is a rear view thereof;

FIG. 6 is a left side view thereof;

FIG. 7 is a top end view thereof;

FIG. 8 is a perspective view of a second embodiment of the invented ball retriever, showing a ball in dotted lines;

FIG. 9 bottom view of the embodiment of FIG. 8;

FIG. 10 is a front view of the embodiment of FIG. 8;

FIG. 11 is a top end view of the embodiment of FIG. 8;

FIG. 12 is a right view of the embodiment of FIG. 8;

FIG. 13 is a rear view of the embodiment of FIG. 8;

FIG. 14 is a left side view of the embodiment of FIG. 8;

FIG. 15 is a perspective view of a third alternative embodiment of the invented ball retriever, shown in the retracted position, and showing a ball therein in dotted lines;

FIG. 16 is a bottom view of the embodiment of FIG. 15;

FIG. 17 is a front view of the embodiment of FIG. 15, shown in the extended position;

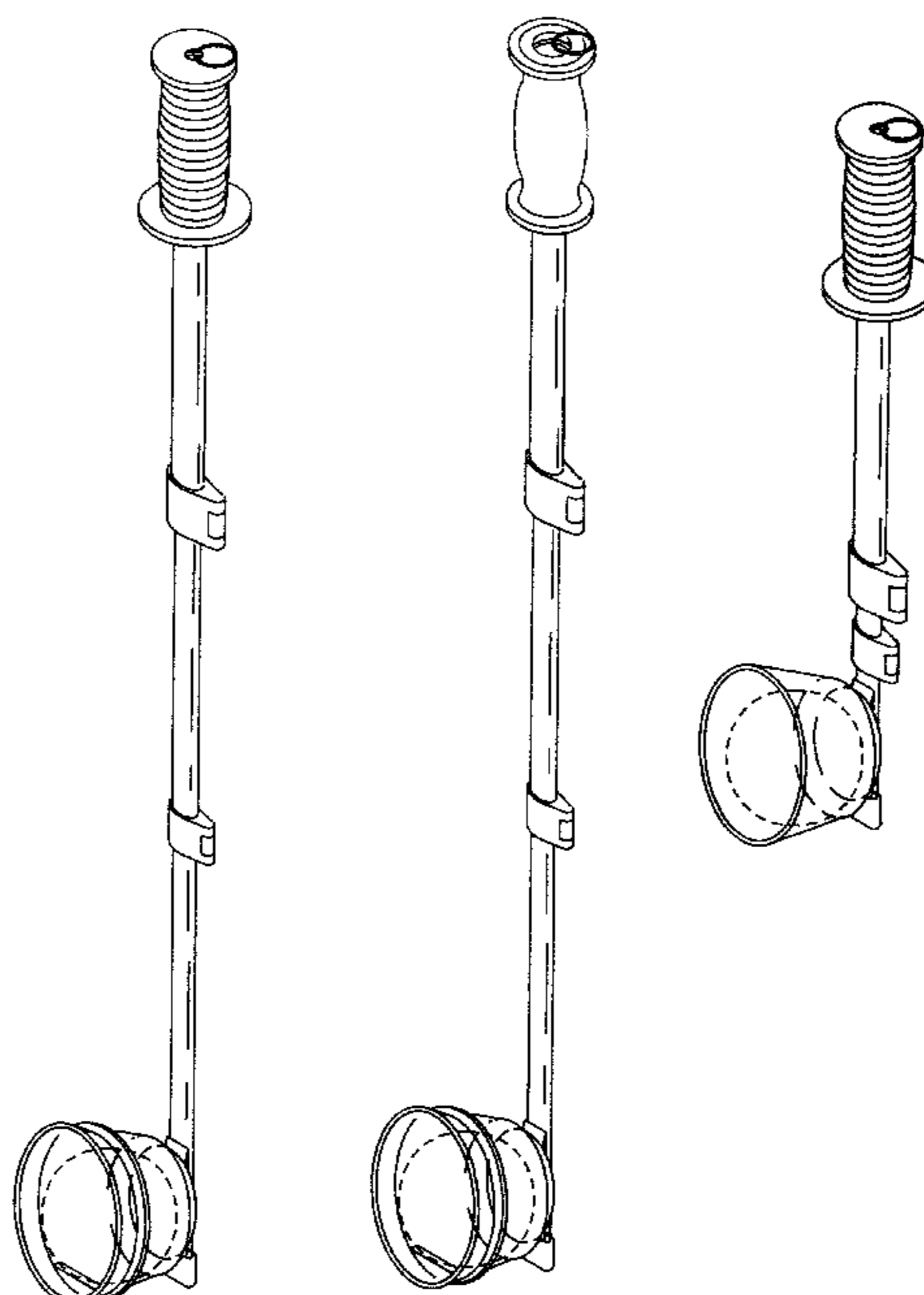
FIG. 18 is a right side view of the embodiment of FIG. 15;

FIG. 19 is a rear view of the embodiment of FIG. 15;

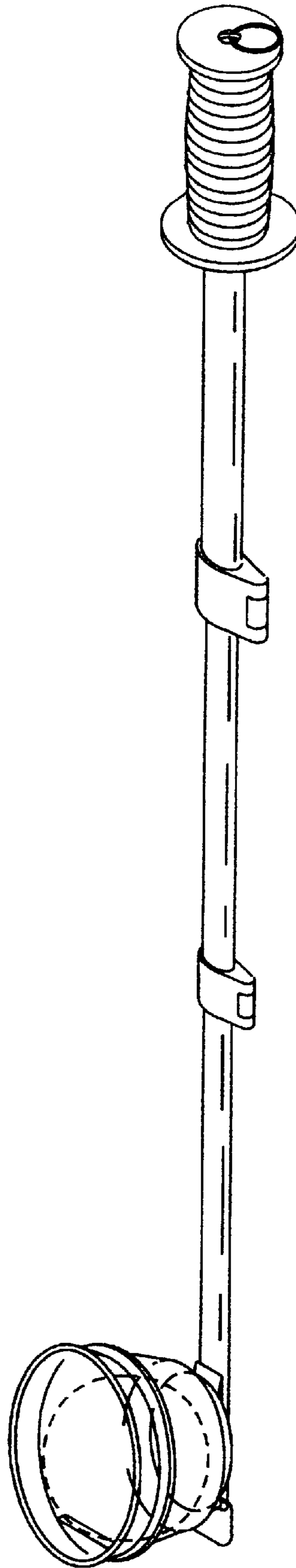
FIG. 20 is a left side view of the embodiment of FIG. 15; and,

FIG. 21 is a top end view of the embodiment of FIG. 15.

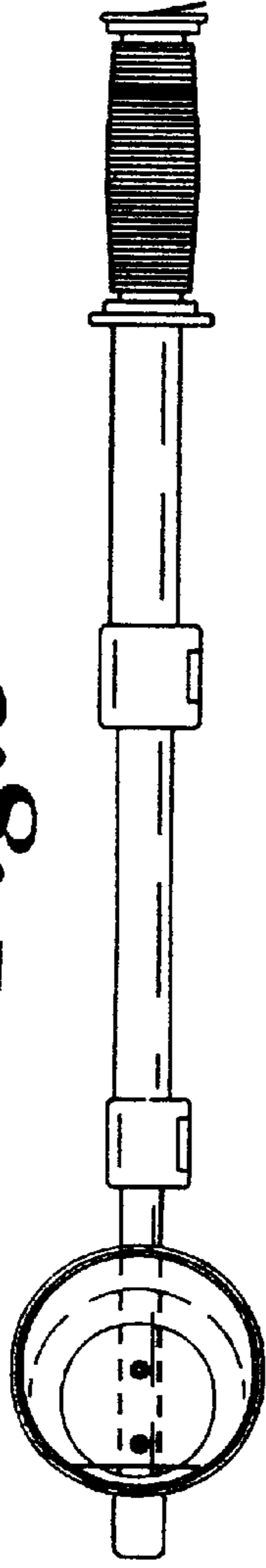
**1 Claim, 6 Drawing Sheets**



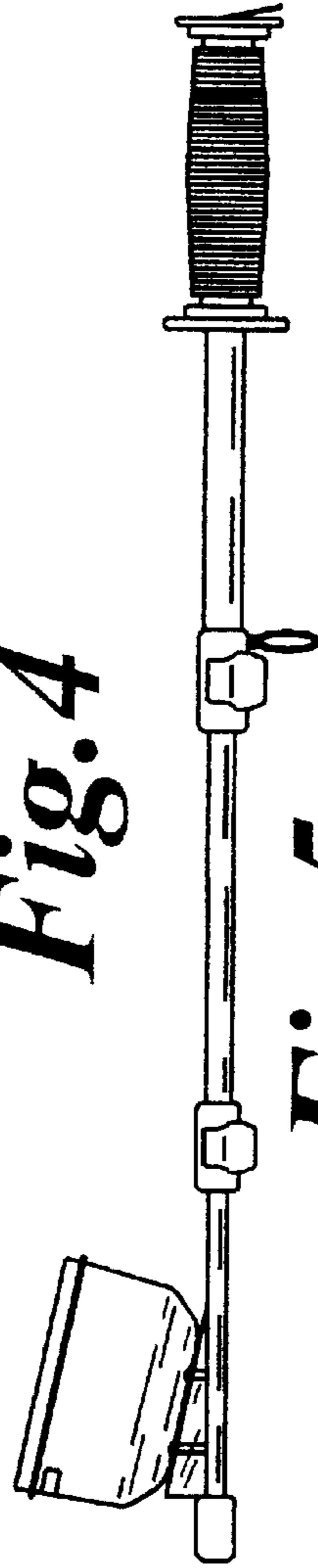
*Fig. 1*



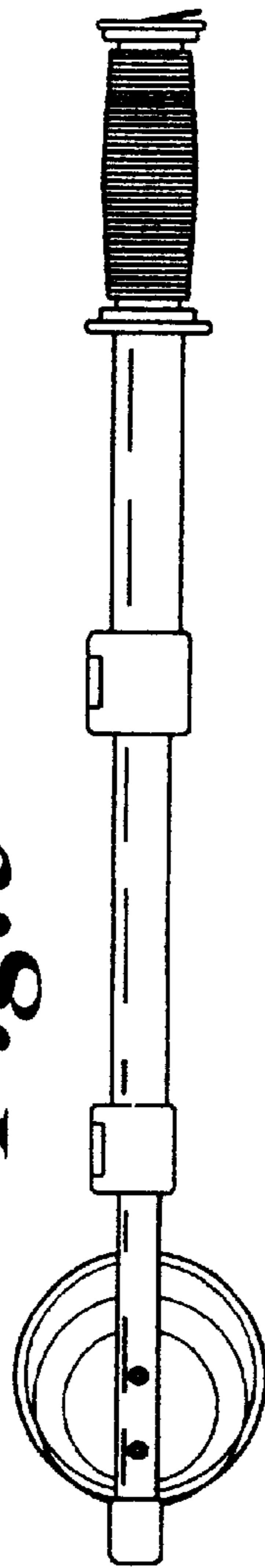
*Fig. 3*



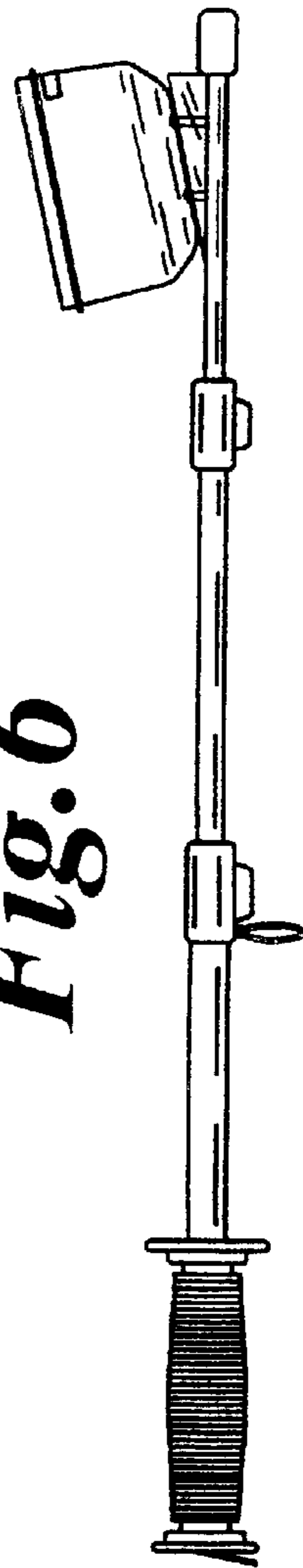
*Fig. 4*



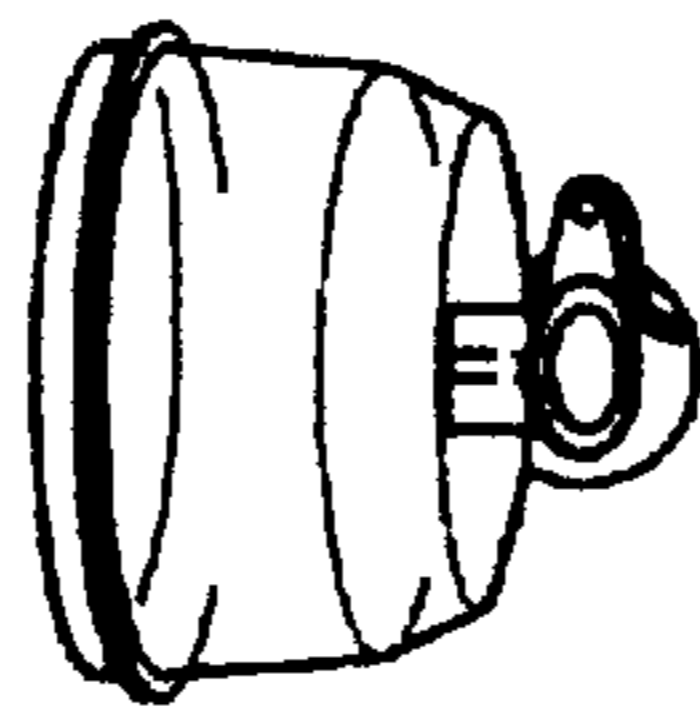
*Fig. 5*



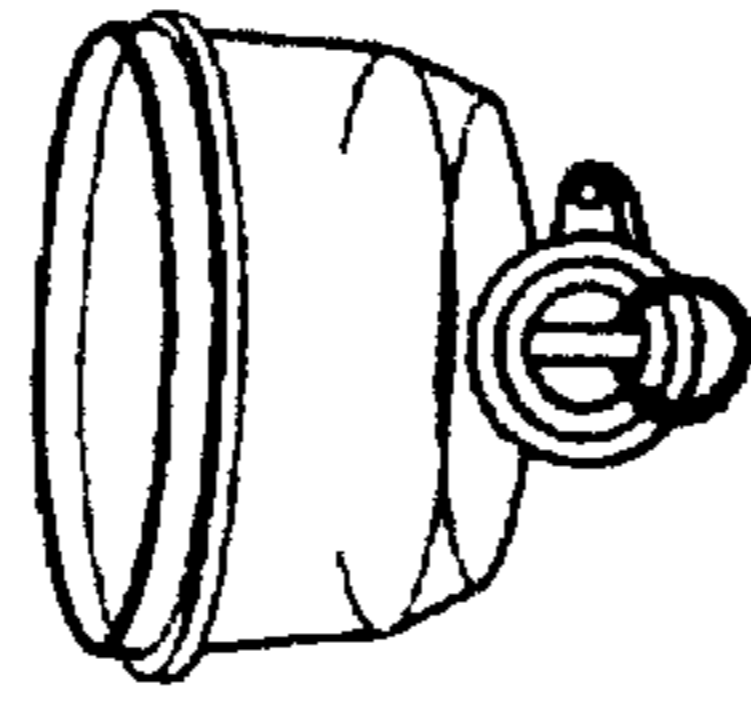
*Fig. 6*



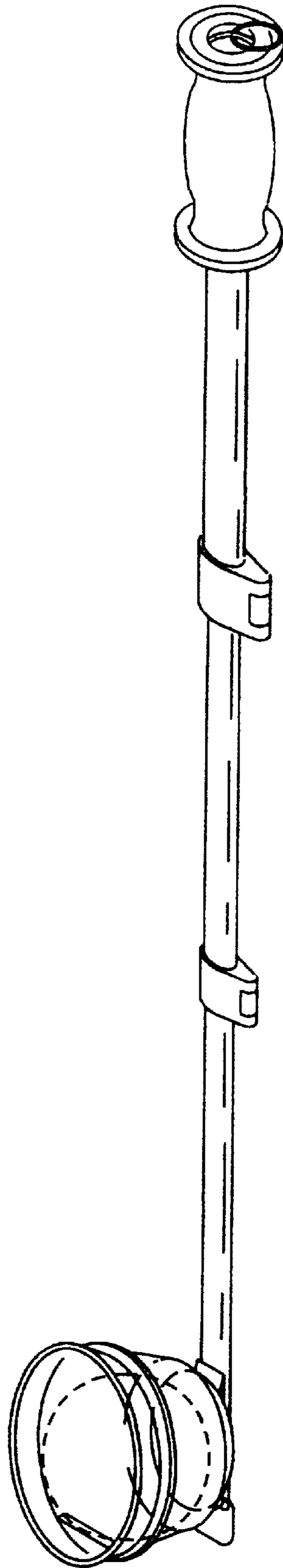
*Fig. 2*



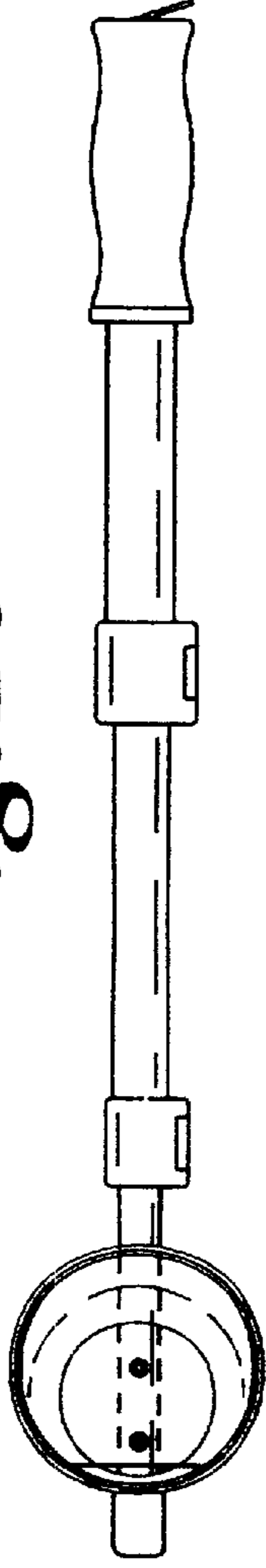
*Fig. 7*



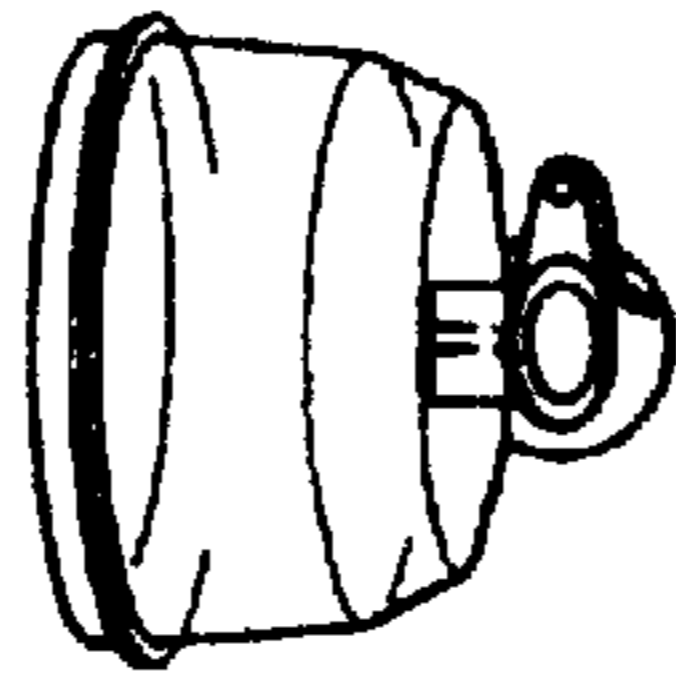
*Fig. 8*



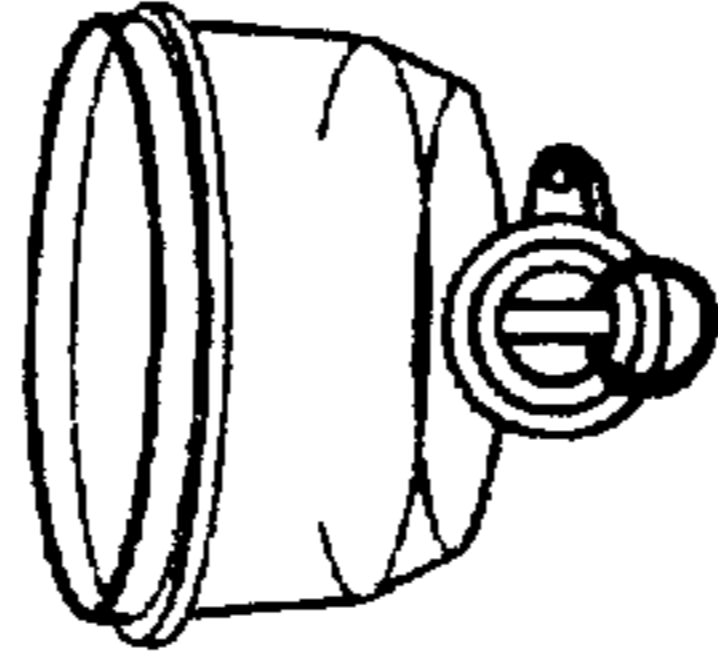
*Fig. 10*



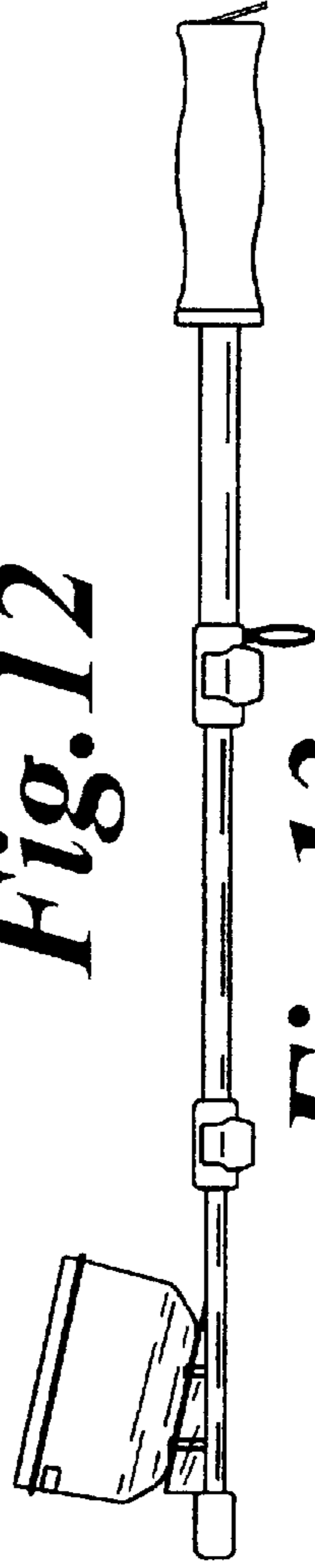
*Fig. 9*



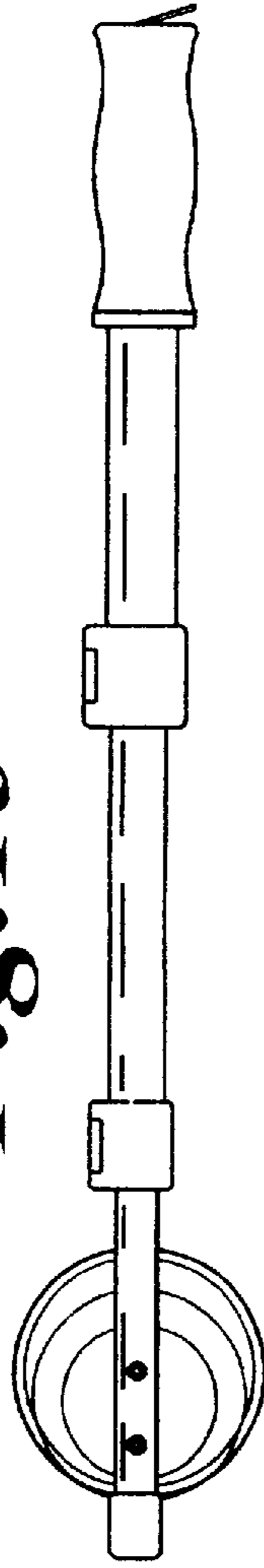
*Fig. 11*



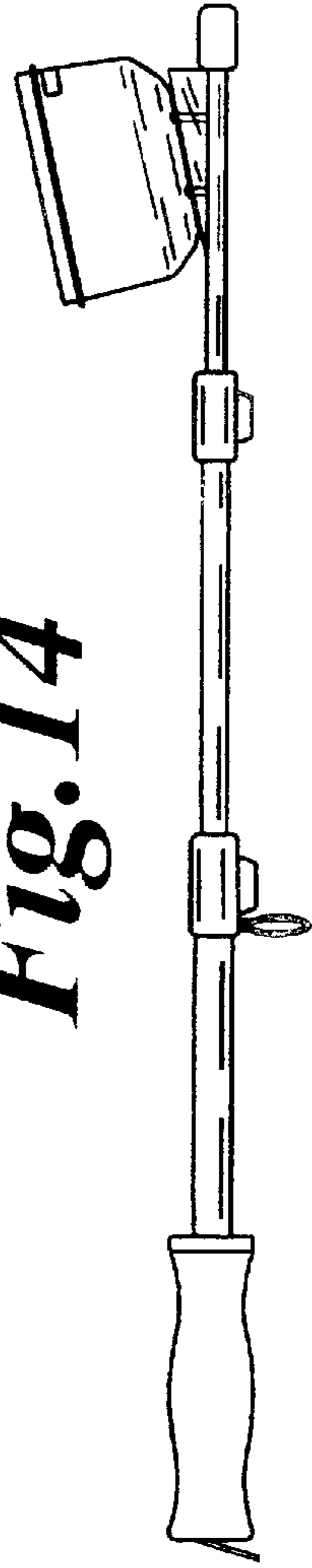
*Fig. 12*



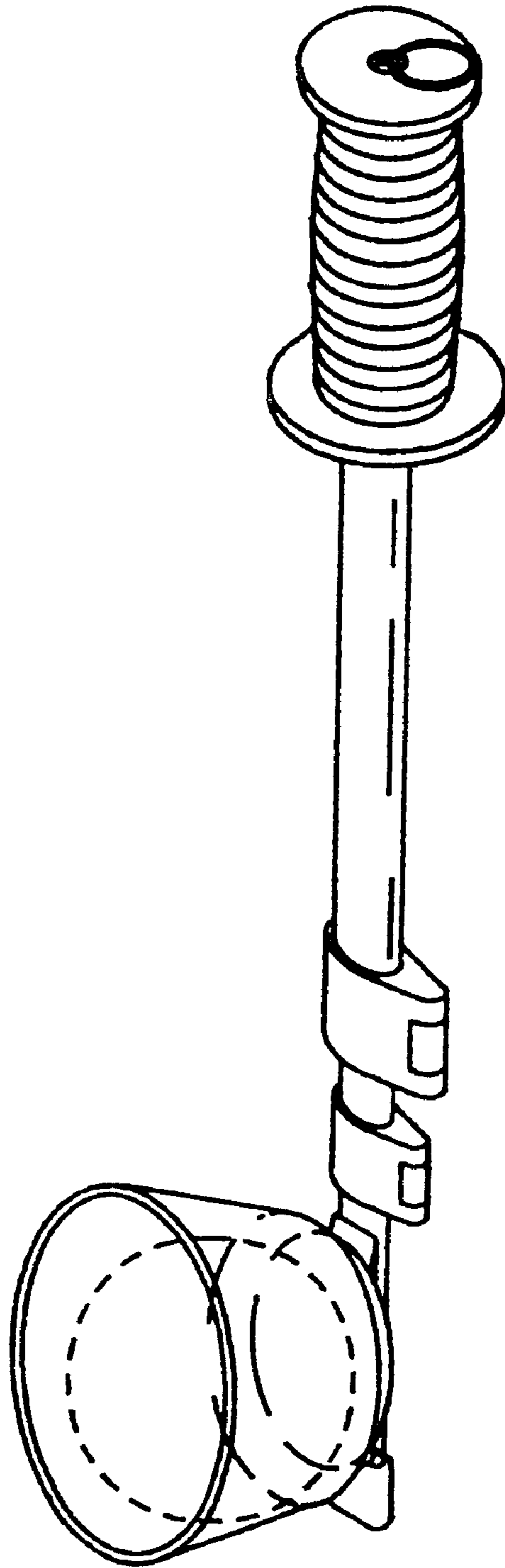
*Fig. 13*



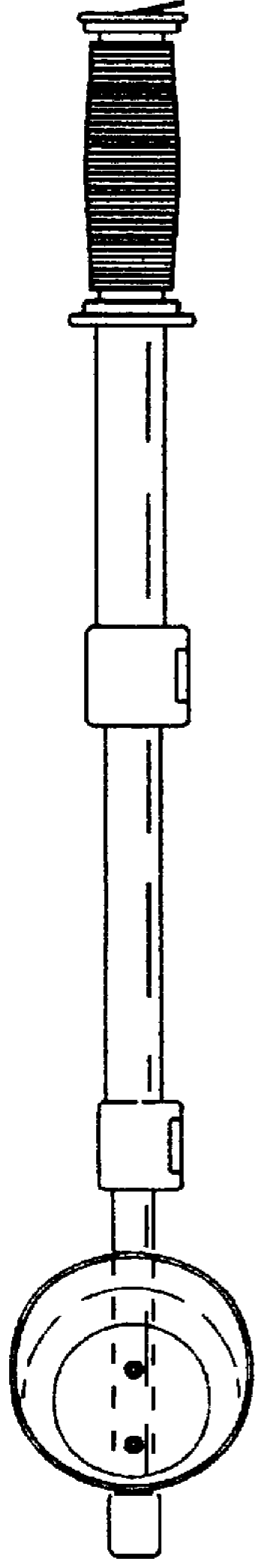
*Fig. 14*



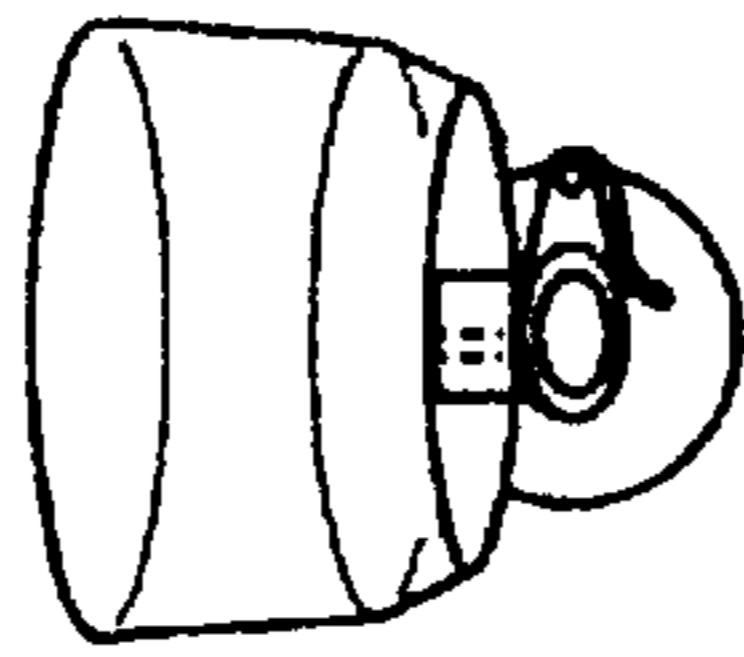
*Fig. 15*



*Fig. 17*



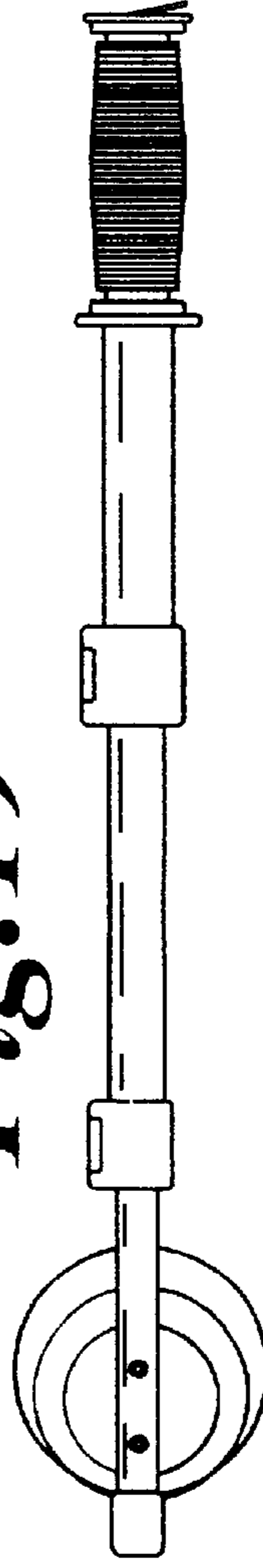
*Fig. 16*



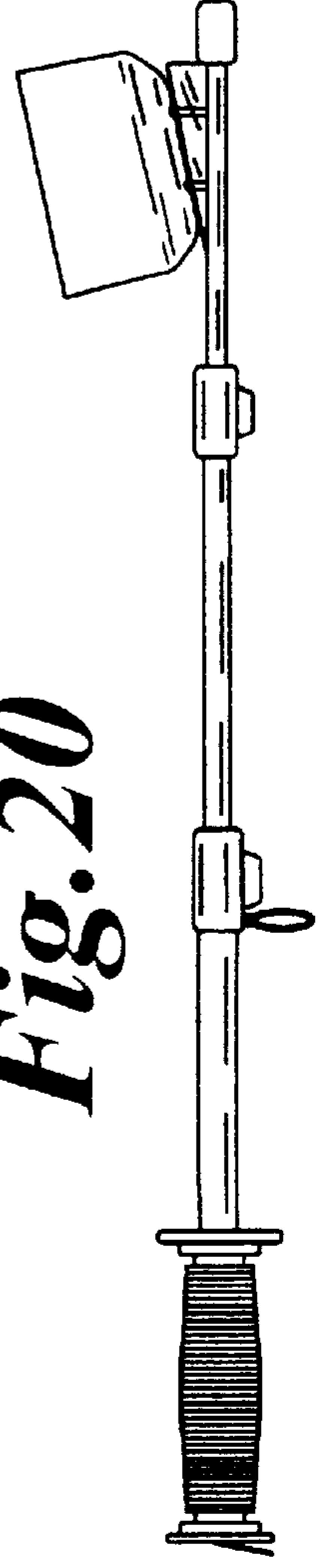
*Fig. 18*



*Fig. 19*



*Fig. 20*



*Fig. 21*

