



US00D455802S

(12) **United States Design Patent**  
**Huitron Valencia**

(10) **Patent No.:** **US D455,802 S**

(45) **Date of Patent:** **\*\* Apr. 16, 2002**

- (54) **SIT UP EXERCISE MACHINE**
- (76) **Inventor: Jaime G. Huitron Valencia, 2970**  
Coronado Ave. #39, San Diego, CA  
(US) 92154
- (\*\*) **Term: 14 Years**
- (21) **Appl. No.: 29/137,037**
- (22) **Filed: Feb. 13, 2001**
- (51) **LOC (7) Cl. .... 21-02**
- (52) **U.S. Cl. .... D21/687; D21/662**
- (58) **Field of Search .... D21/662, 666,**  
D21/687, 673, 676, 686; 482/140, 142,  
148, 135

- 5,613,252 A 3/1997 Yu et al.
- 5,623,949 A 4/1997 Kostich ..... 128/845
- 5,665,041 A \* 9/1997 Hsieh ..... 482/140
- D391,314 S \* 2/1998 Cordero ..... D21/687
- 5,868,654 A \* 2/1999 Norian ..... 482/140
- D441,811 S \* 5/2001 Clarke ..... D21/666

\* cited by examiner

*Primary Examiner*—Philip S. Hyder

(57) **CLAIM**

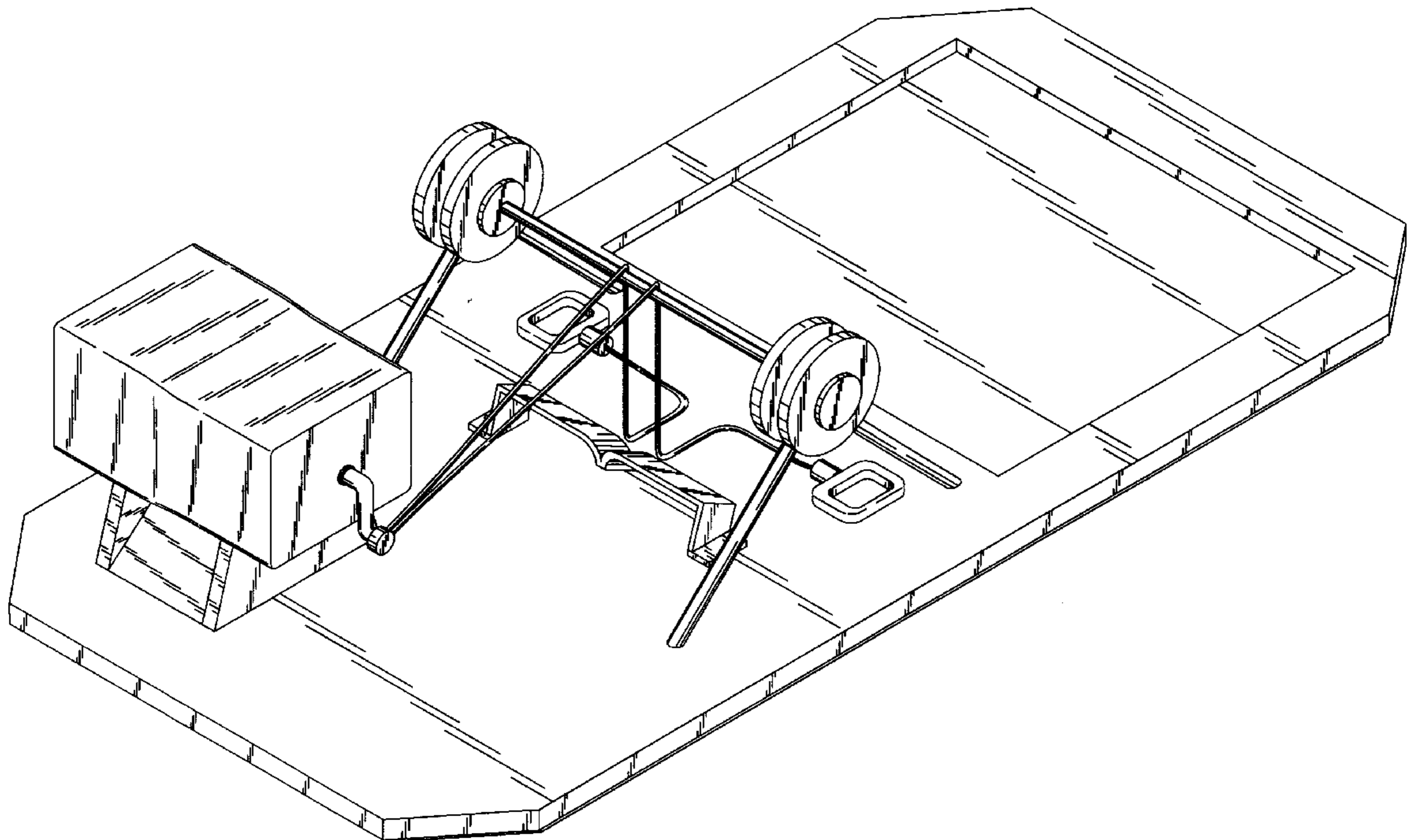
The ornamental design for a sit up exercise machine, as shown and described.

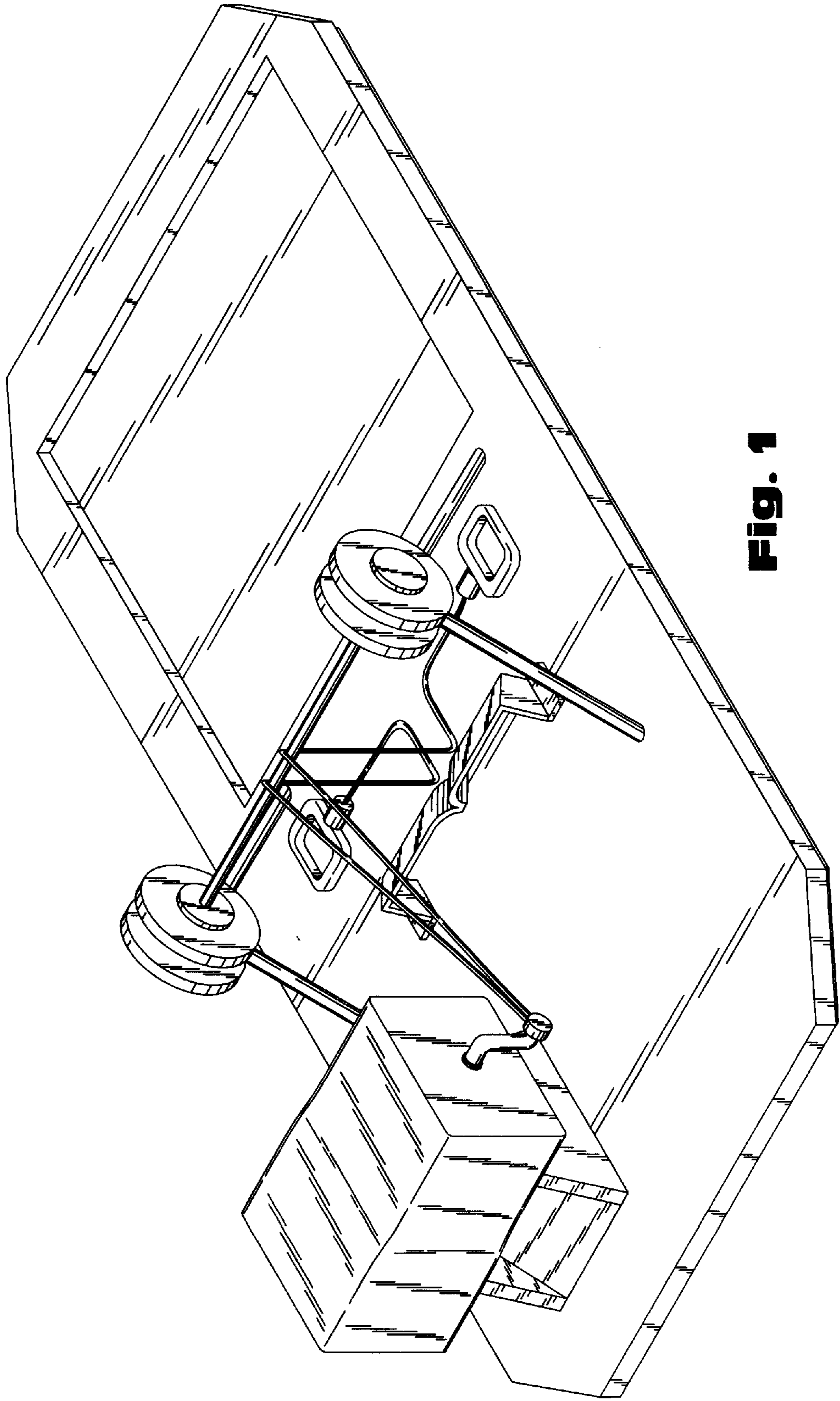
**DESCRIPTION**

- FIG. 1 is a perspective view showing the design of my invention.
- FIG. 2 is a elevational view of from the right side.
- FIG. 3 is an elevational view of from the left side.
- FIG. 4 is a front elevational view.
- FIG. 5 is a rear elevational view.
- FIG. 6 is a top plan view; and,
- FIG. 7 is bottom plan view.

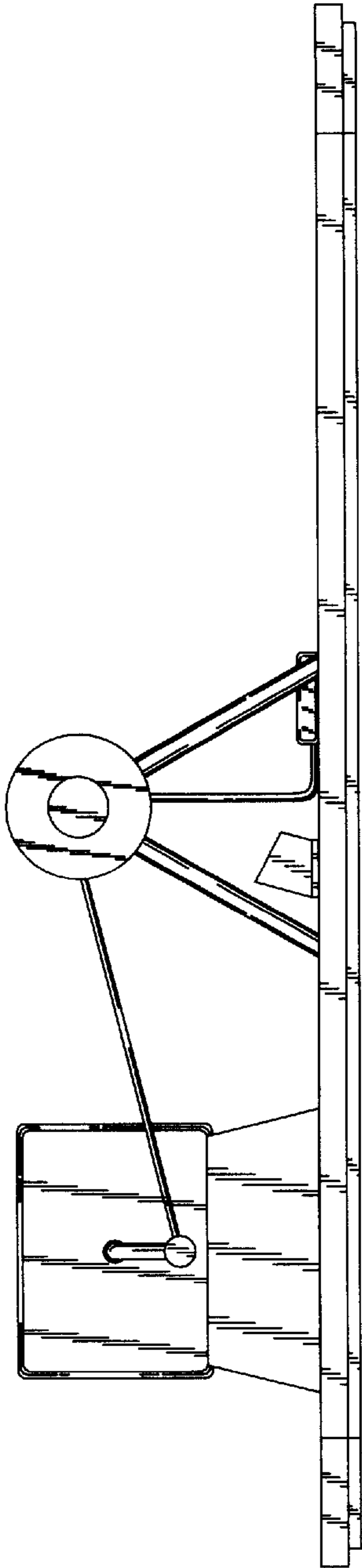
- (56) **References Cited**
- U.S. PATENT DOCUMENTS**
- 3,929,335 A 12/1975 Malick
- D284,394 S \* 6/1986 Bengtson et al. .... D21/687
- 4,863,158 A 9/1989 Tassone
- 5,098,089 A 3/1992 Harrington et al.
- D371,177 S \* 6/1996 Efobi ..... D21/687

**1 Claim, 5 Drawing Sheets**

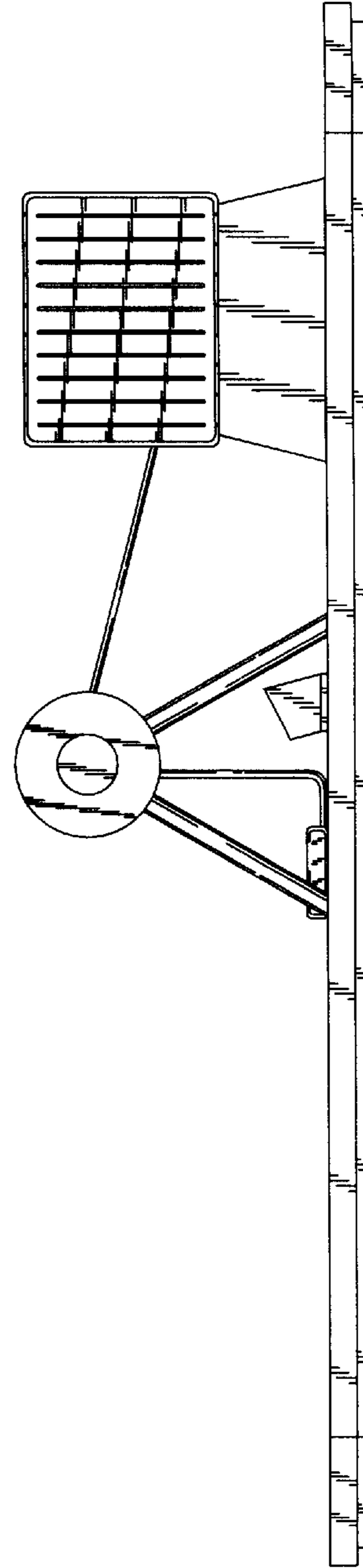




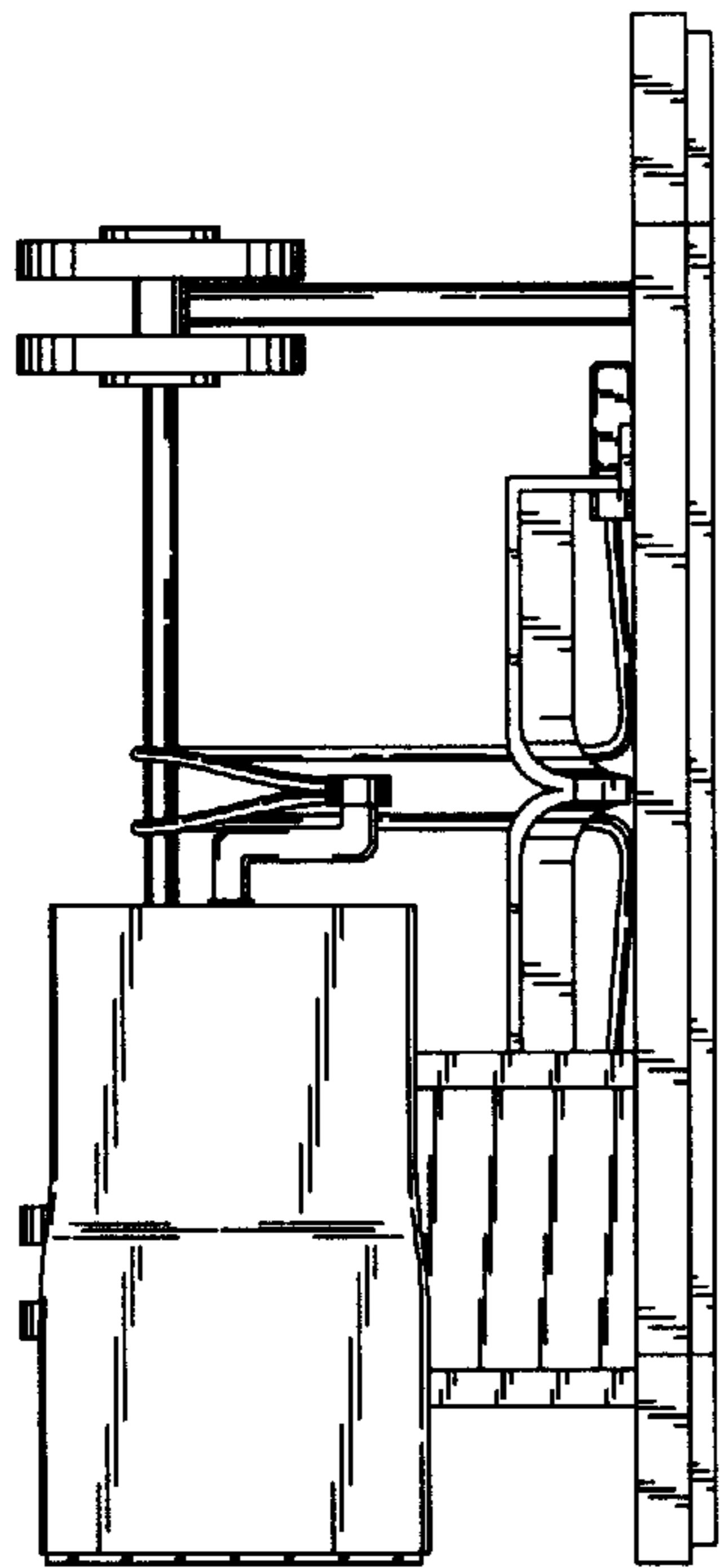
**Fig. 1**



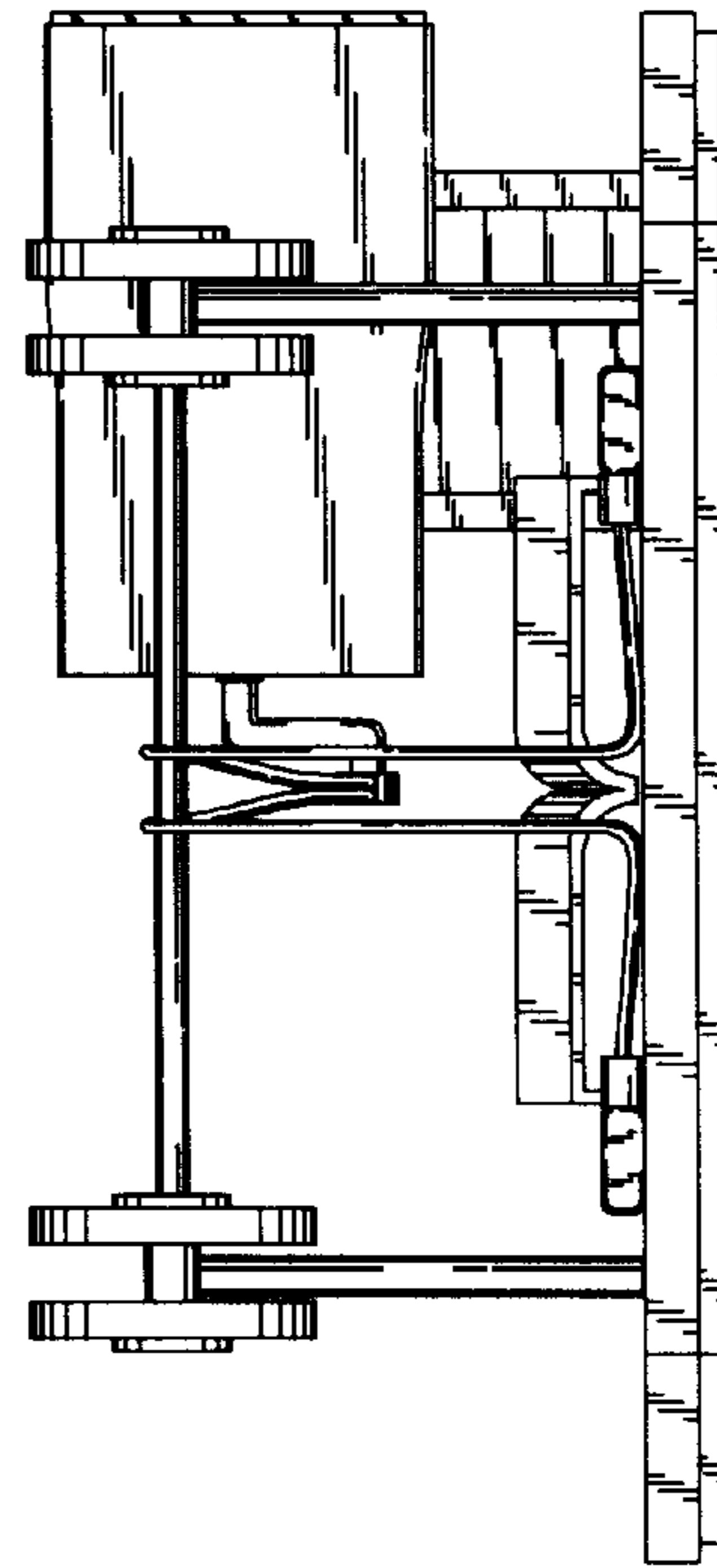
**Fig. 2**



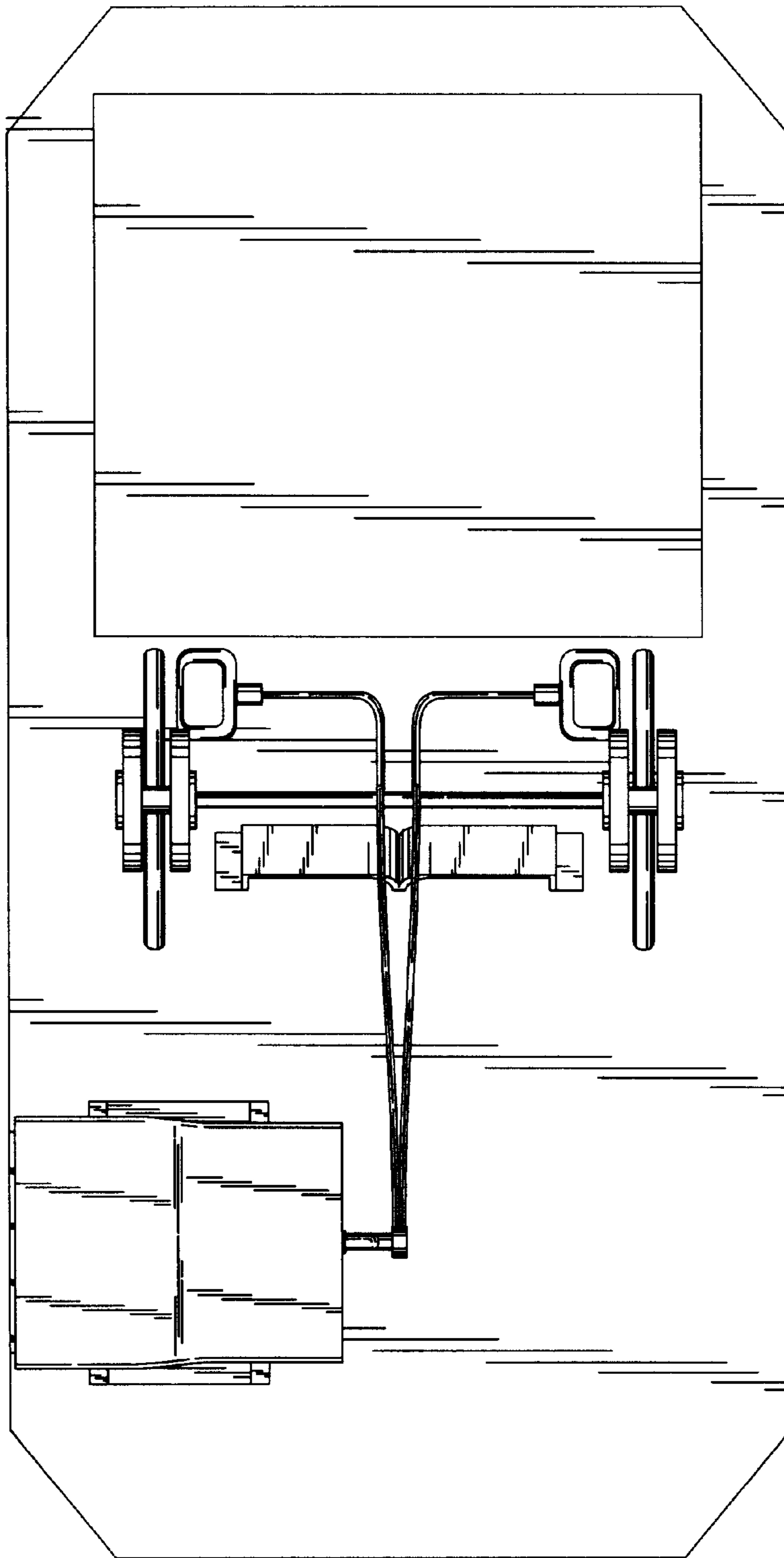
**Fig. 3**



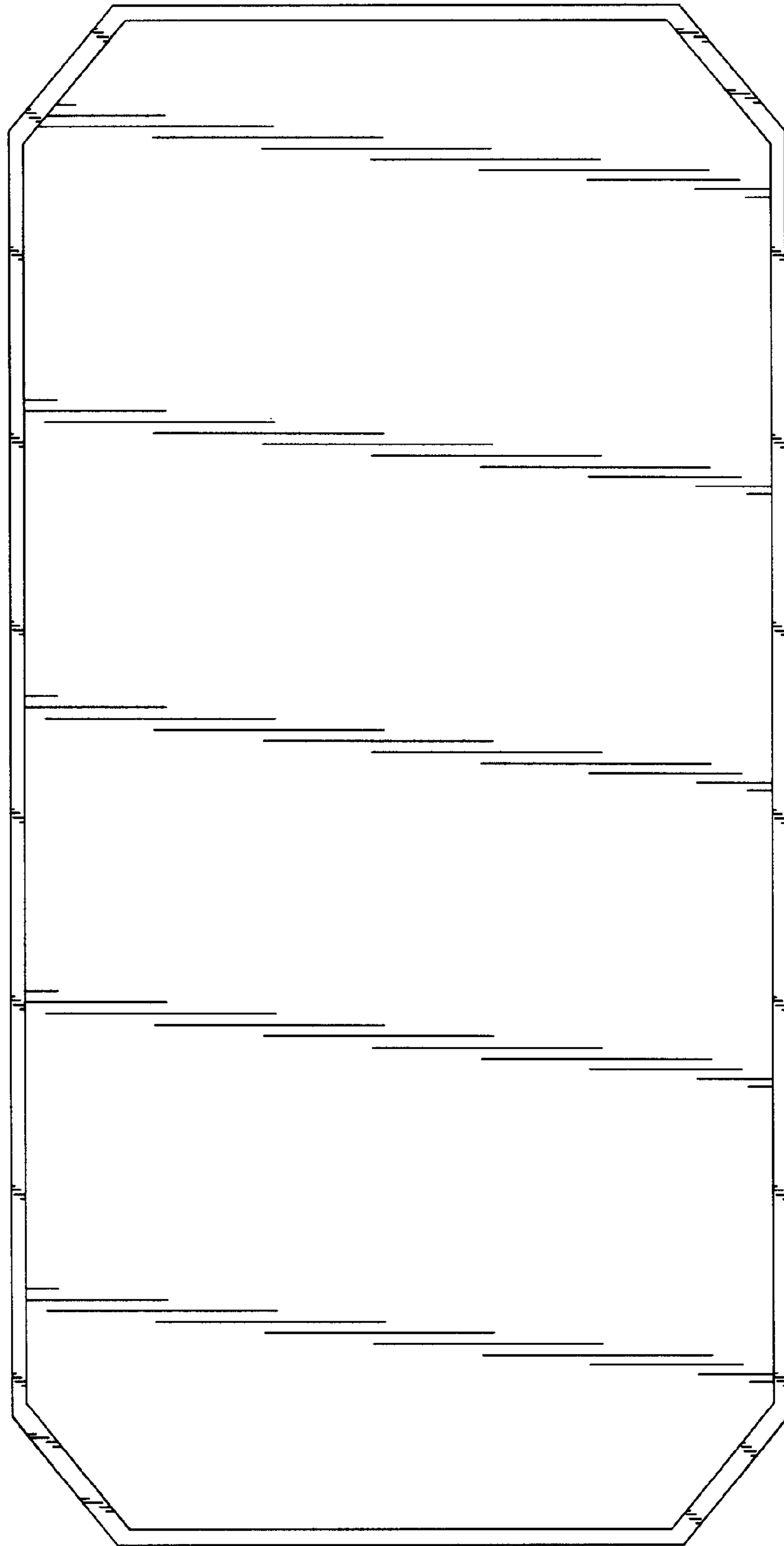
**Fig. 4**



**Fig. 5**



**Fig. 6**



**Fig. 7**