



US00D455798S

(12) **United States Design Patent**
Yamazaki

(10) **Patent No.:** **US D455,798 S**

(45) **Date of Patent:** **** Apr. 16, 2002**

(54) **PIRATE SHIP TOY**

(74) *Attorney, Agent, or Firm*—Oliff & Berridge, PLC

(75) **Inventor:** **Tomohiro Yamazaki, Tokyo (JP)**

(57) **CLAIM**

(73) **Assignee:** **Tomy Company, Ltd., Tokyo (JP)**

The ornamental design for pirate ship toy, as shown and described.

(**) **Term:** **14 Years**

DESCRIPTION

(21) **Appl. No.:** **29/142,986**

FIG. 1 is a front perspective view of a pirate ship toy;

(22) **Filed:** **Jun. 7, 2001**

FIG. 2 is a front view thereof;

(30) **Foreign Application Priority Data**

Dec. 8, 2000 (JP) 2000-035152

FIG. 3 is a rear view thereof;

(51) **LOC (7) Cl.** **21-01**

FIG. 4 is a top view thereof;

(52) **U.S. Cl.** **D21/544; D21/542**

FIG. 5 is a bottom view thereof;

(58) **Field of Search** **D21/542-547,**
D21/419, 427; D12/92, 100; 446/160, 428,
447, 456, 465, 470; 280/113, 828, 87.021

FIG. 6 is a left-side view thereof;

FIG. 7 is a right-side view thereof;

(56) **References Cited**

U.S. PATENT DOCUMENTS

D70,630 S * 7/1926 Scharff D21/544
D197,181 S * 12/1963 Markham D21/544
4,723,930 A * 2/1988 Freese et al. 446/160
D352,541 S * 11/1994 Shull et al. D21/544
D370,036 S * 5/1996 Jaeb et al. D21/544

FIG. 8 is a rear perspective view;

FIG. 9 is a front perspective view of FIG. 1, with the hull in an open position;

FIG. 10 is a rear perspective view of FIG. 8, with the hull in an open position; and,

OTHER PUBLICATIONS

Playmobil Catalog, P16, 1995.*

FIG. 11 is a front perspective view of FIG. 1, with a portion of the hull in an open position and the cannon detached from the front bow.

* cited by examiner

Primary Examiner—Raphael Barkai

1 Claim, 6 Drawing Sheets

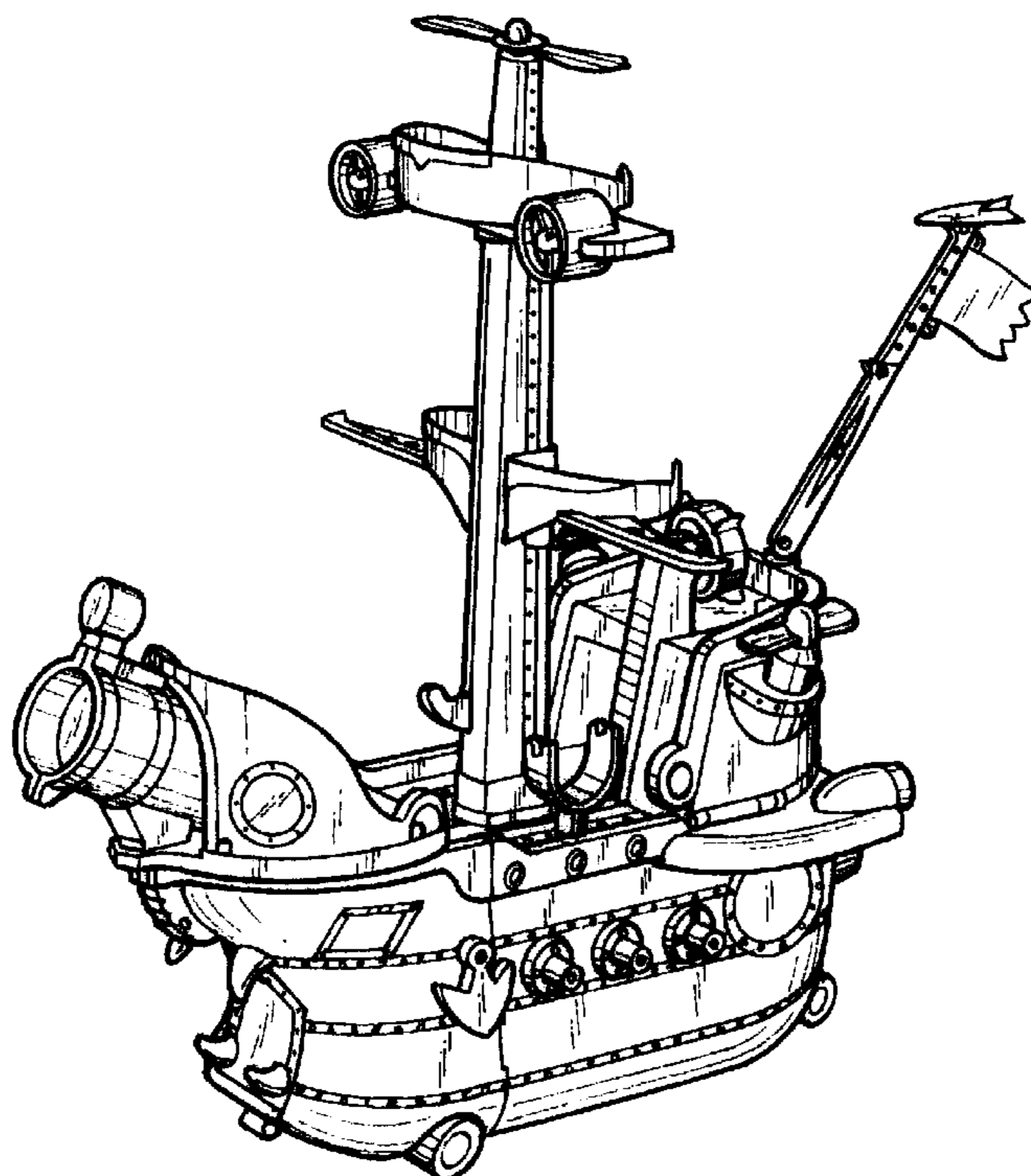


FIG. 1

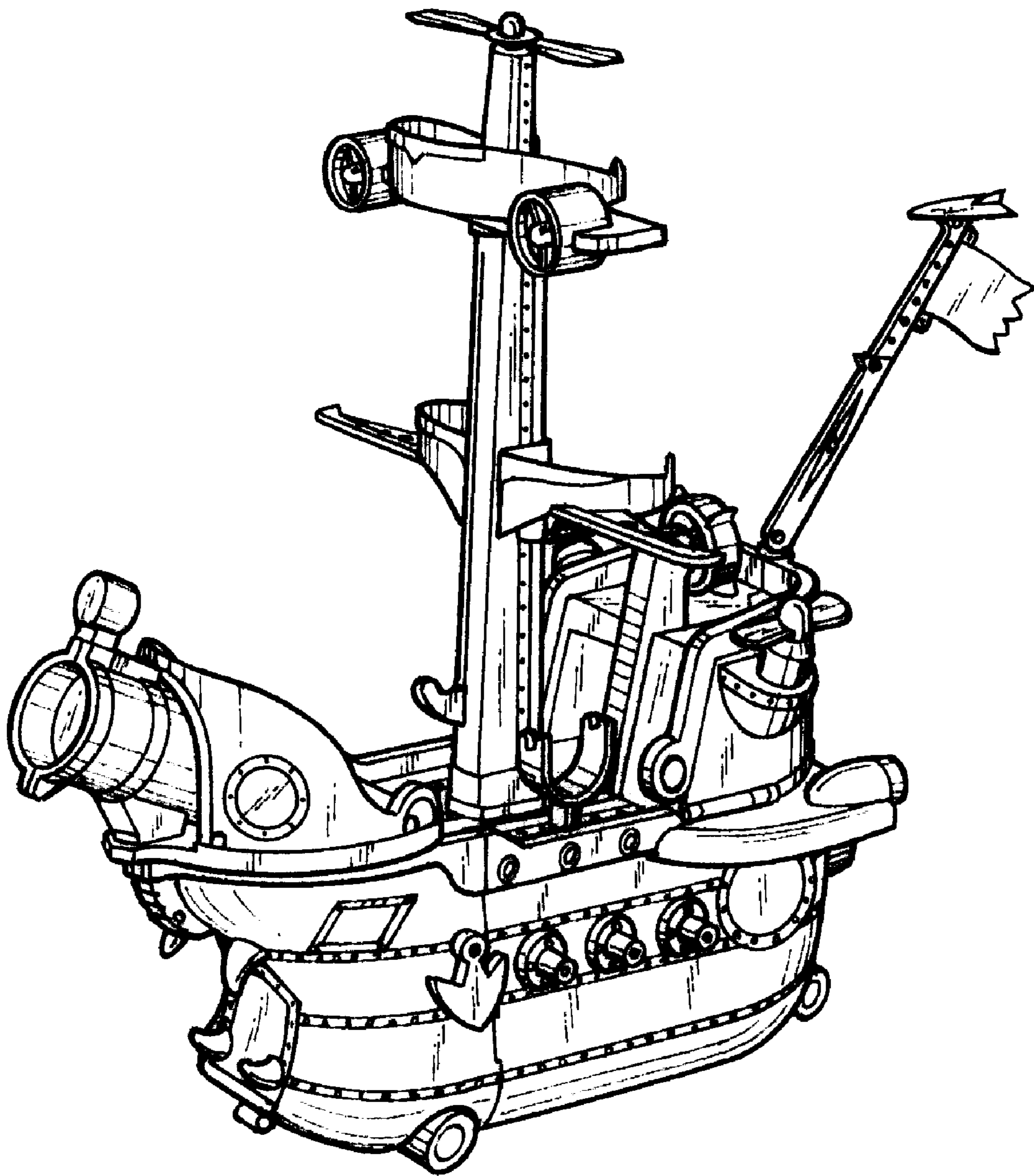


FIG. 2

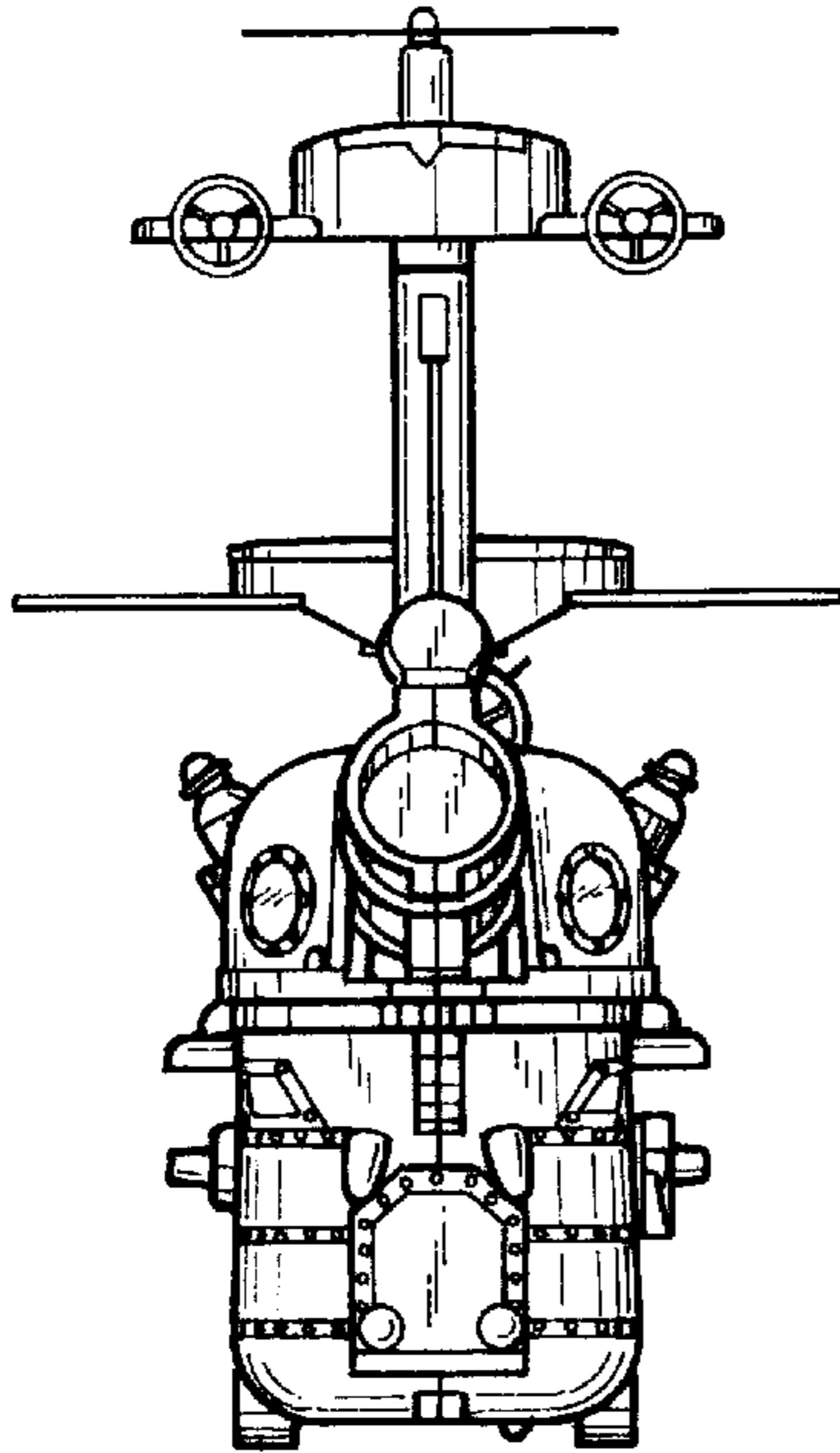


FIG. 3

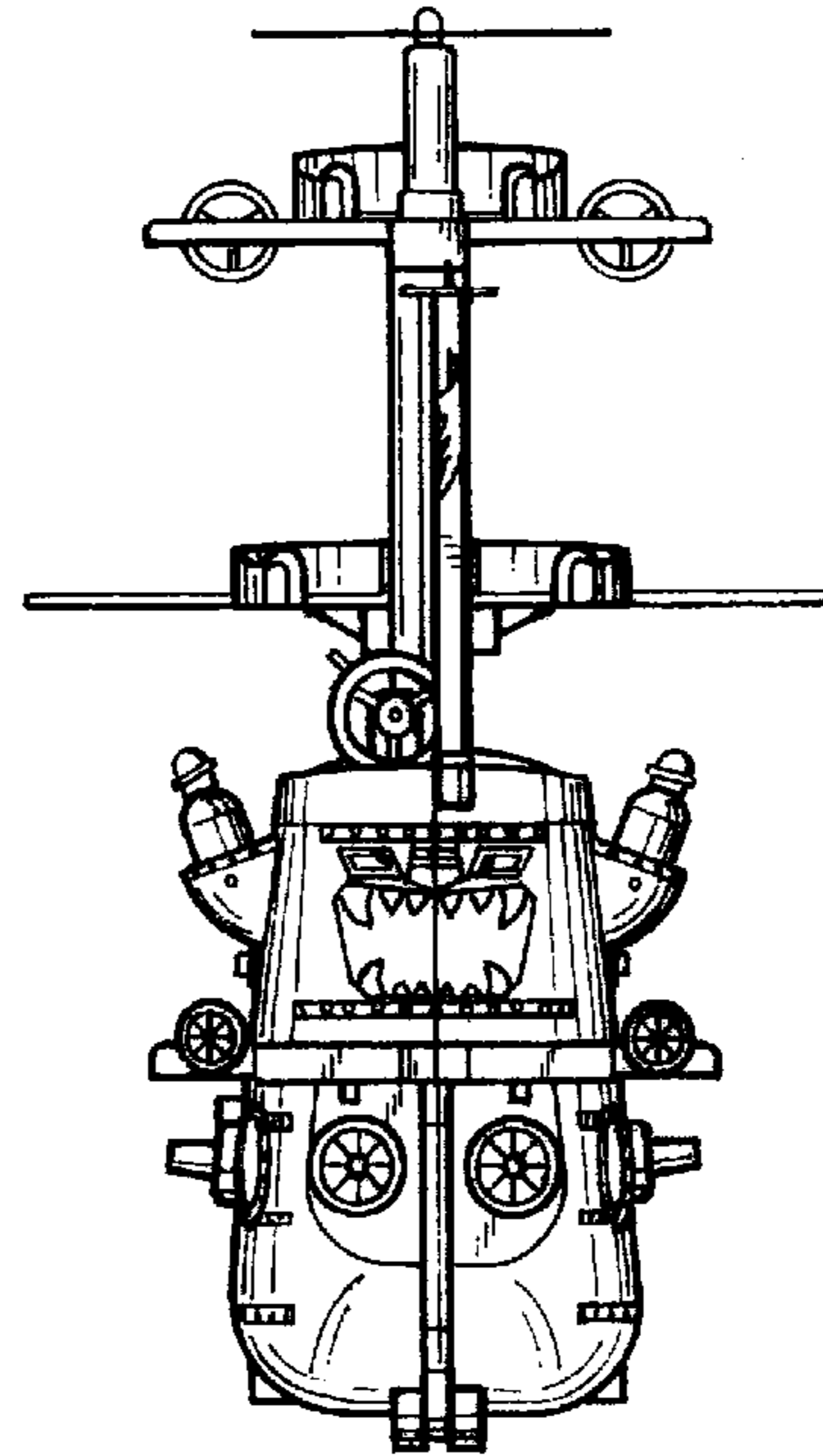


FIG. 4

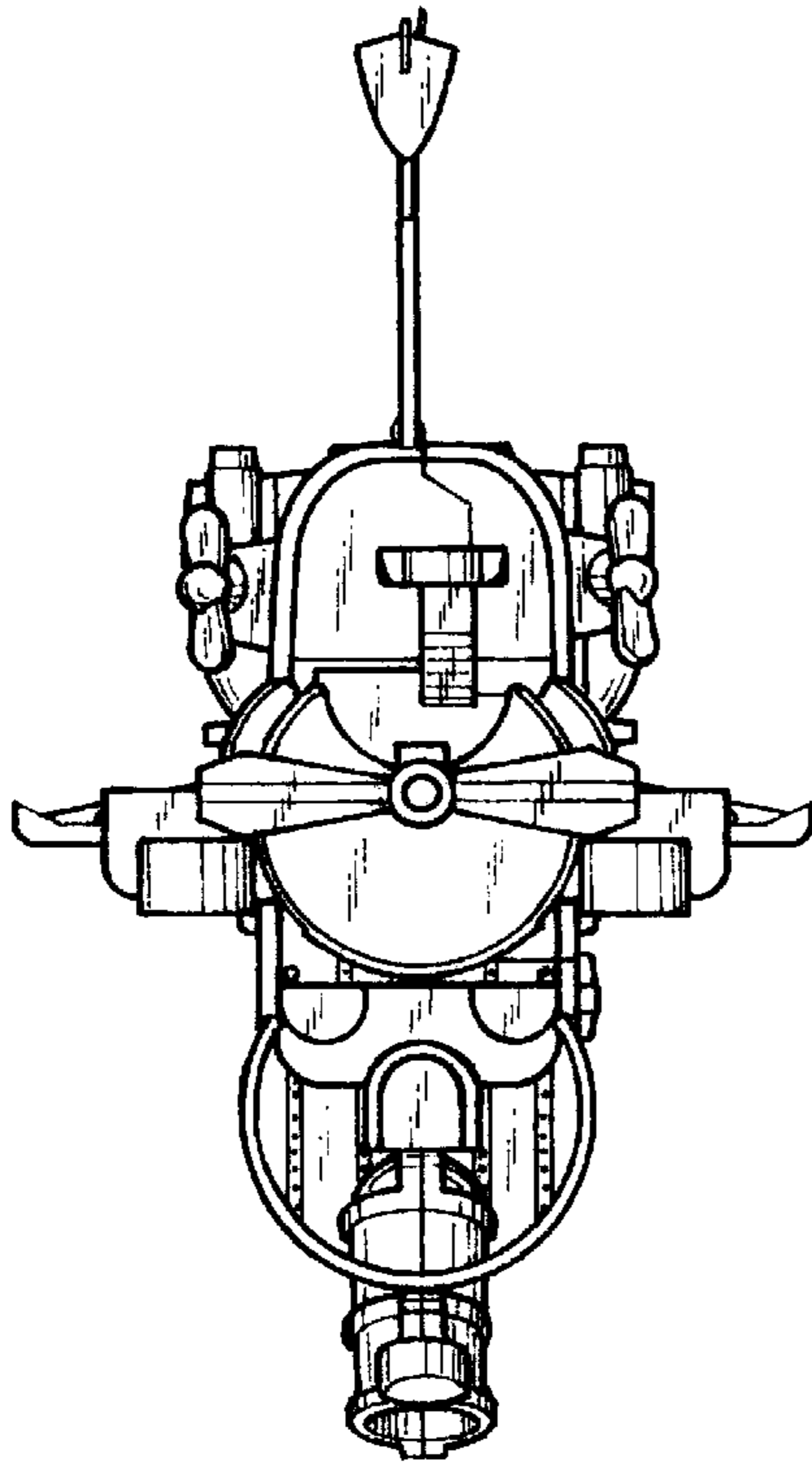


FIG. 5

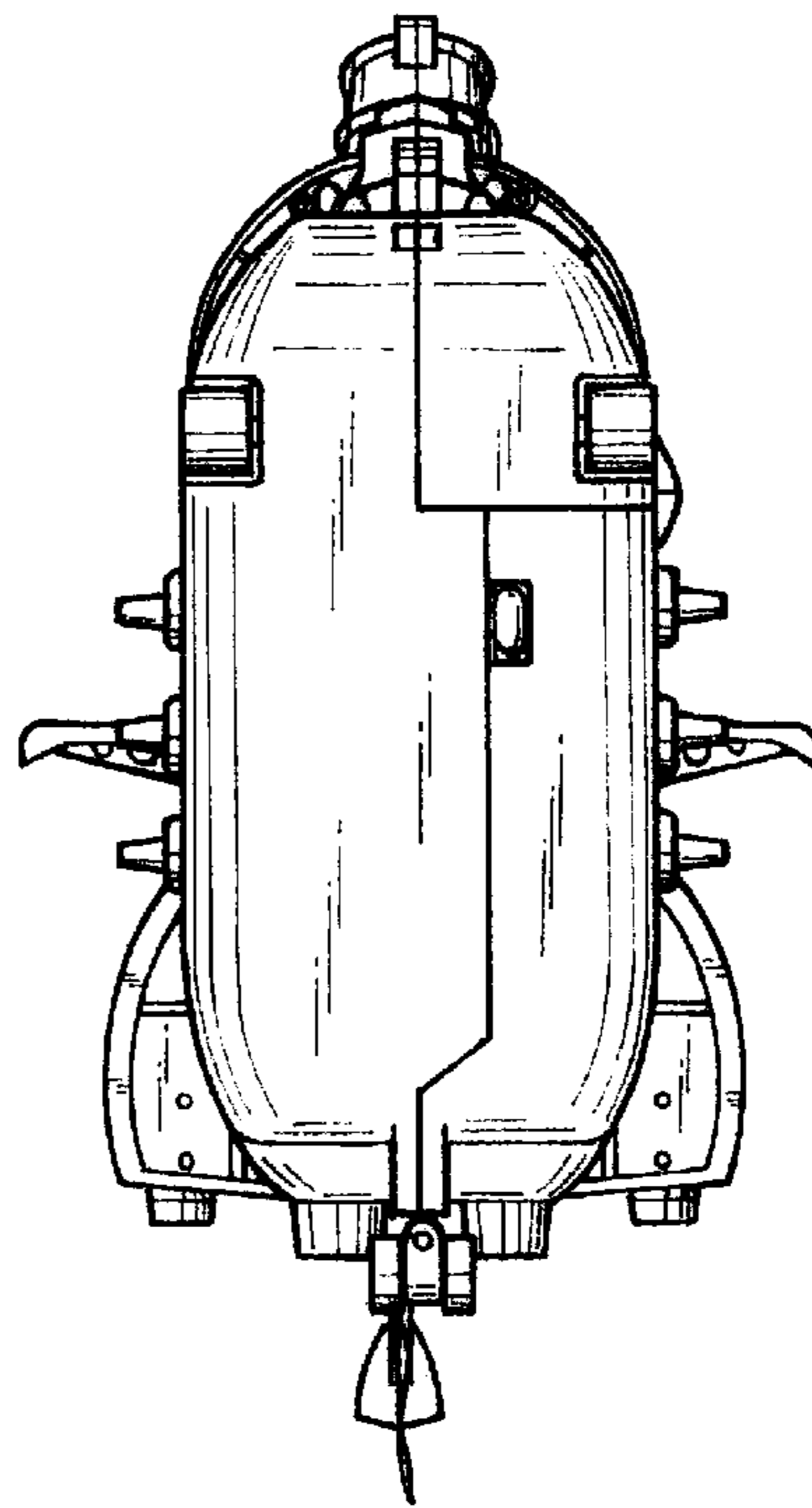


FIG. 6

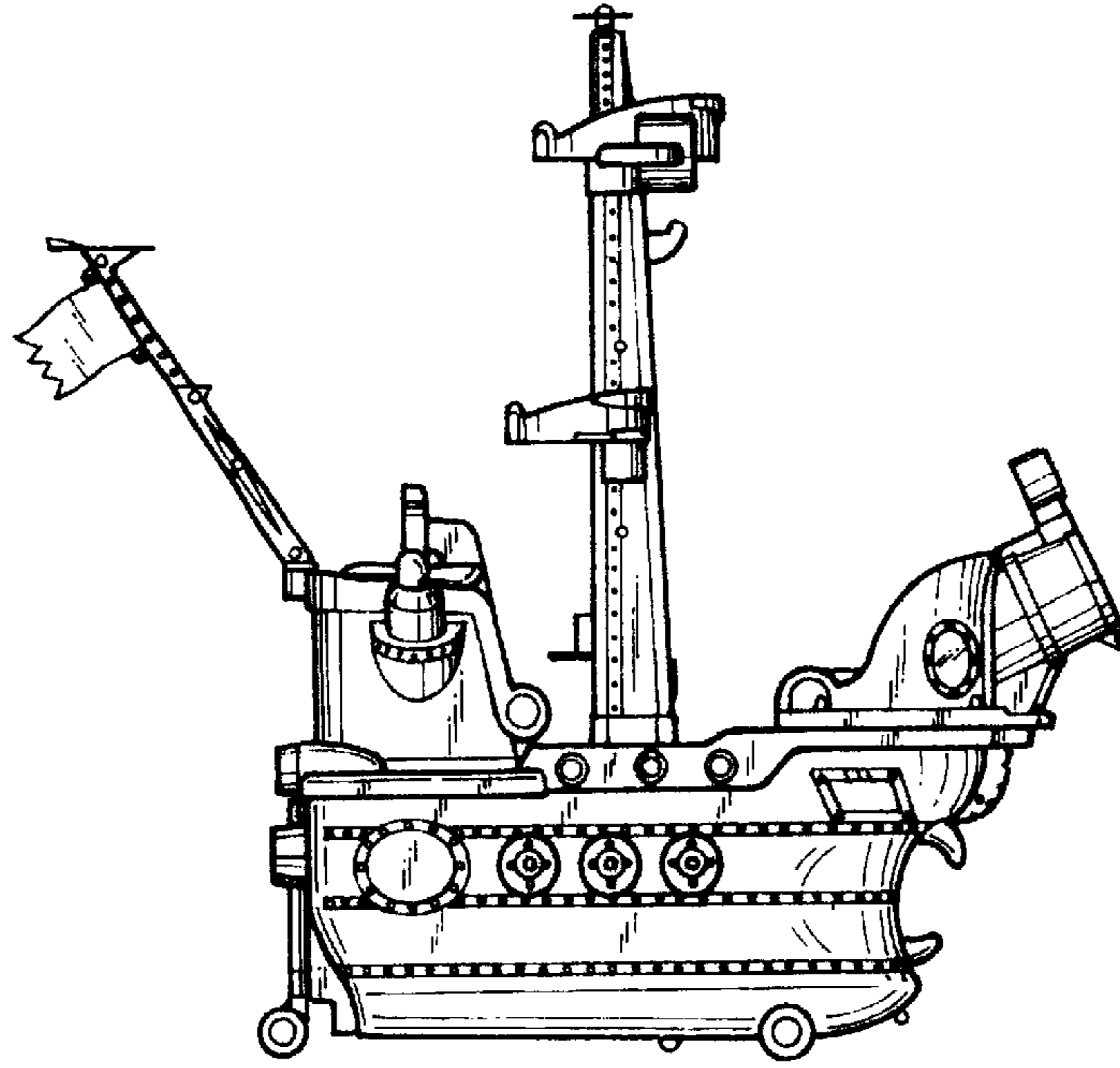


FIG. 7

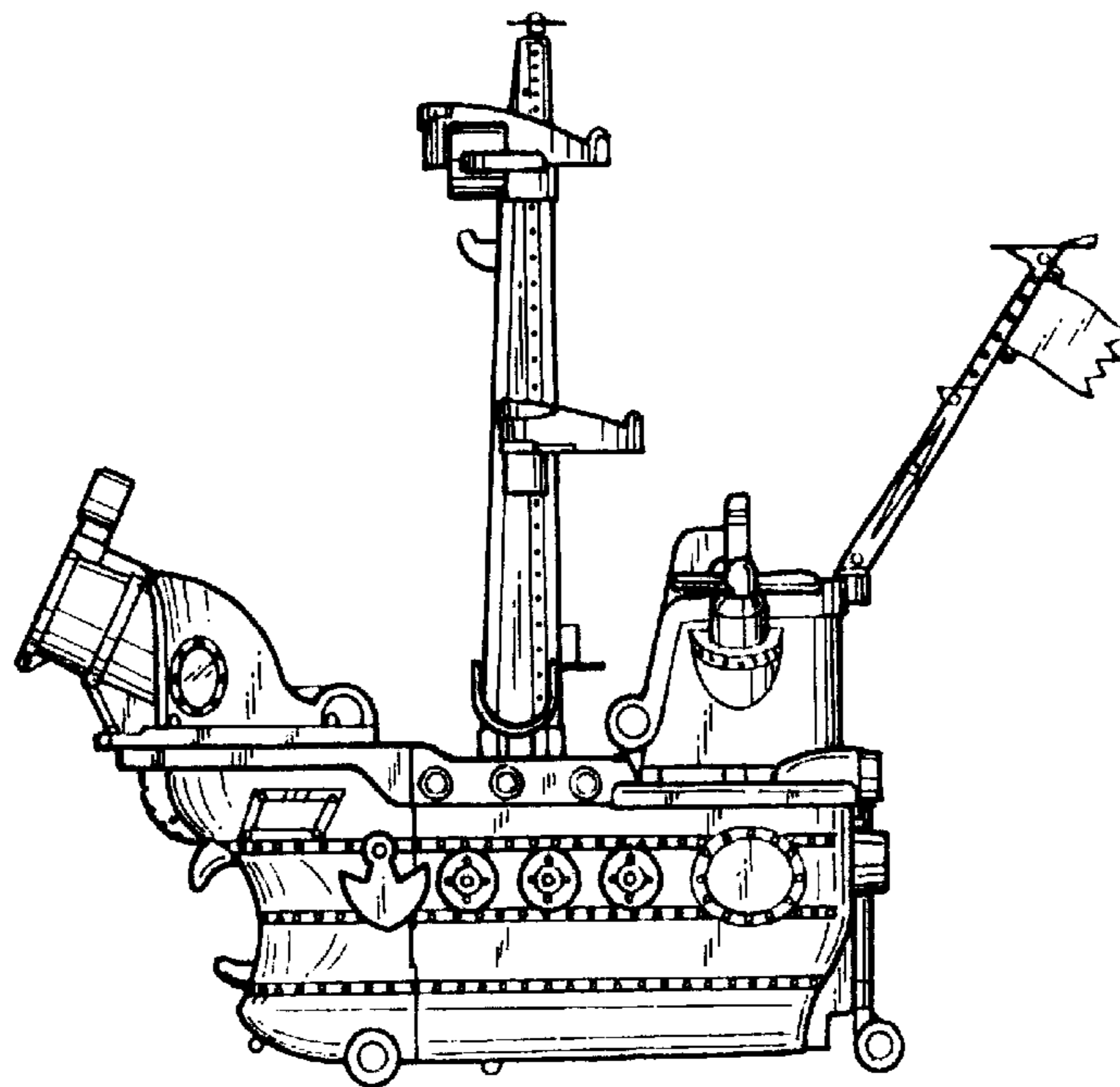


FIG. 8

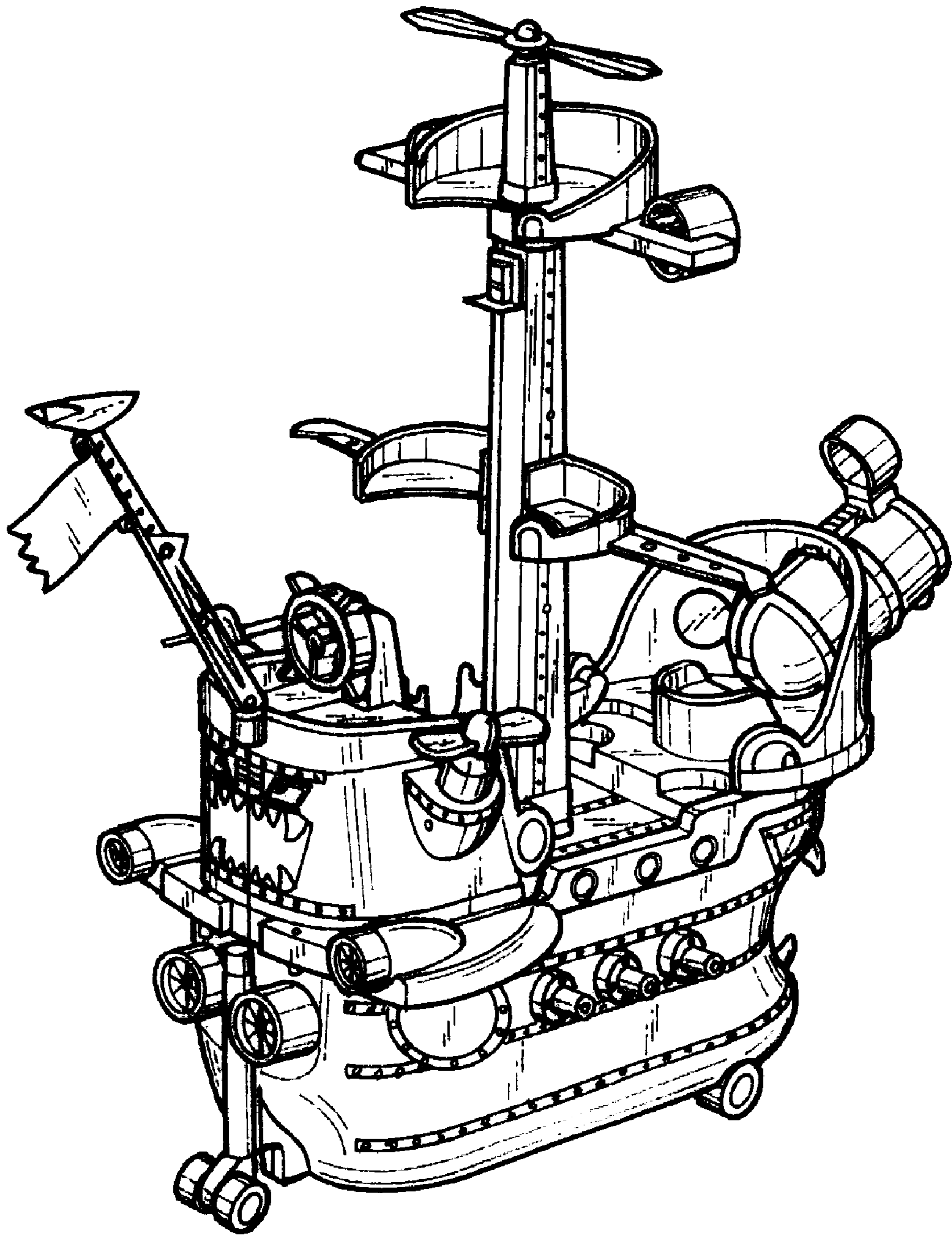


FIG. 9

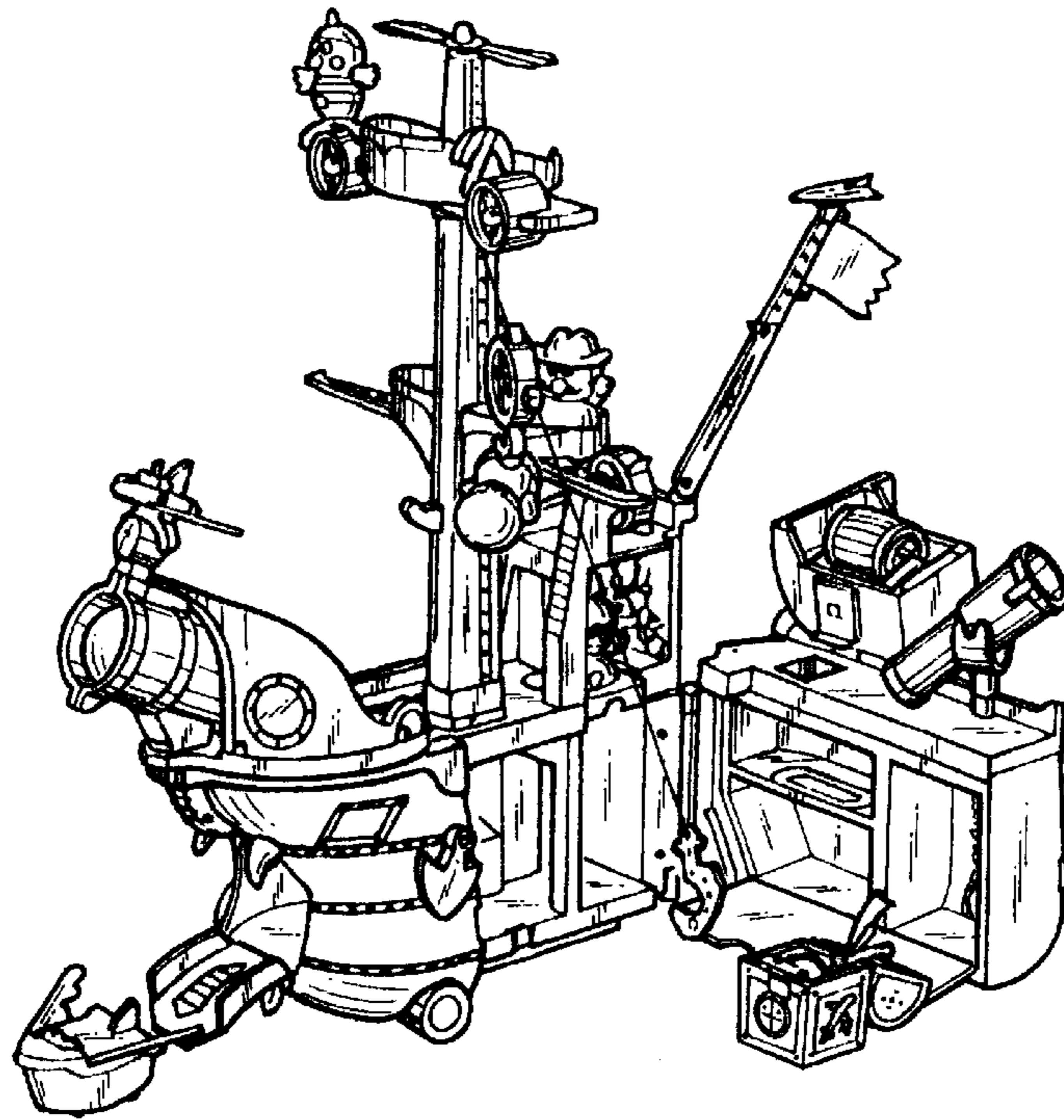


FIG. 10

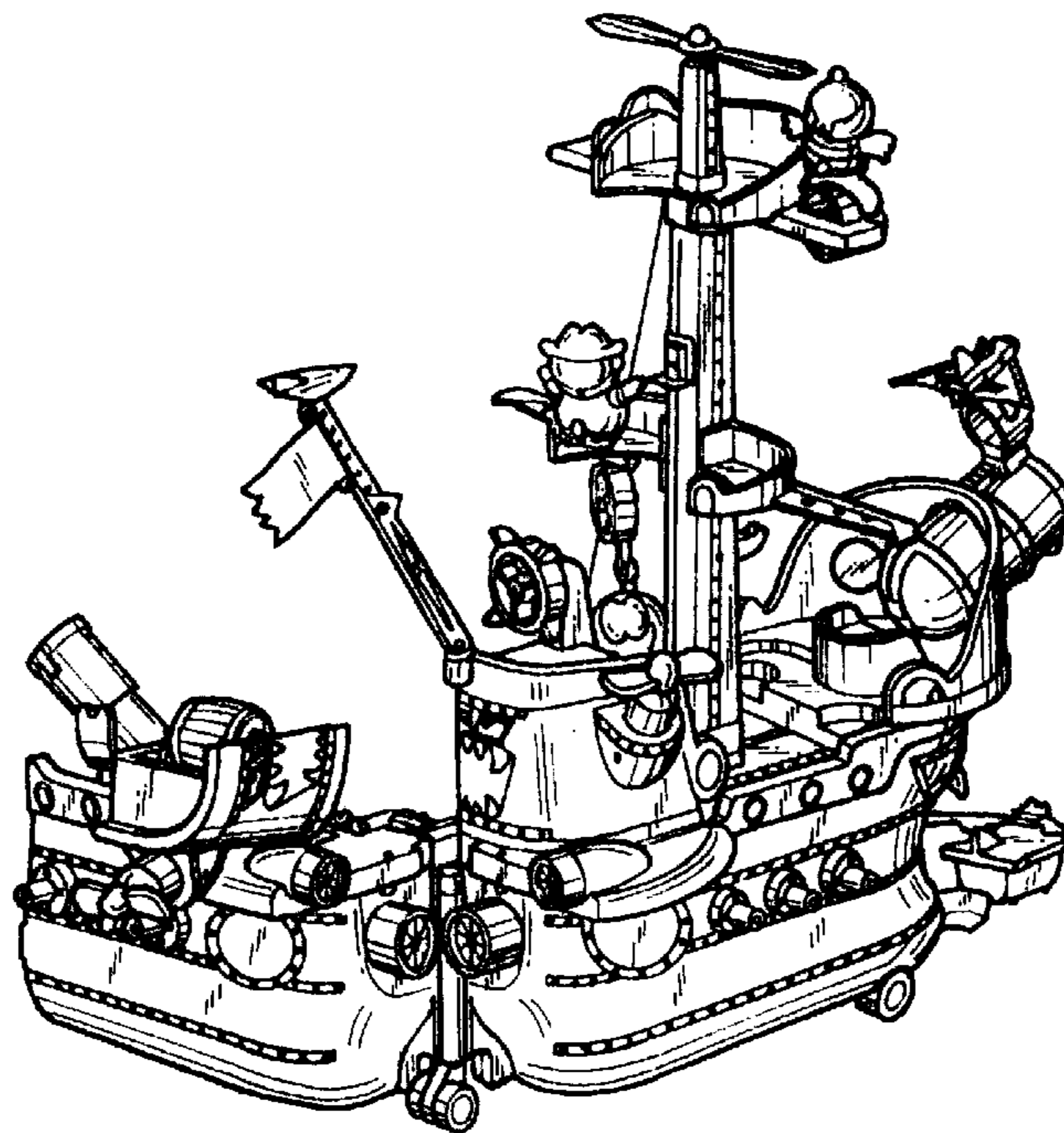


FIG. 11

