



US00D455796S

(12) **United States Design Patent**  
**Wu**

(10) **Patent No.:** **US D455,796 S**

(45) **Date of Patent:** **\*\* Apr. 16, 2002**

(54) **TOY CAR**

(76) **Inventor:** **Jung Jyh Wu**, No. 20, Da Yeou 1st Street, Da Lian Shiang, Kaohsiung Hsien (TW)

(\*\*) **Term:** **14 Years**

(21) **Appl. No.:** **29/145,128**

(22) **Filed:** **Jul. 16, 2001**

(51) **LOC (7) Cl.** ..... **21-01**

(52) **U.S. Cl.** ..... **D21/430**

(58) **Field of Search** ..... D21/419-435,  
D21/447-452; 446/440, 465, 470; 280/1.12,  
87.01, 87.021

(56) **References Cited**

**U.S. PATENT DOCUMENTS**

2,755,095 A \* 7/1956 Douglas et al. .... 280/1.12  
D185,733 S \* 7/1959 Cagan ..... D21/430  
D221,565 S \* 8/1971 Dunbar ..... D21/430

4,098,517 A \* 7/1978 Sortini ..... 280/1.12  
D327,722 S \* 7/1992 Chih ..... D21/448  
D336,665 S \* 6/1993 Tugendhaft ..... D21/448  
D384,706 S \* 10/1997 Temple ..... D21/430

\* cited by examiner

*Primary Examiner*—Raphael Barkai  
(74) *Attorney, Agent, or Firm*—Alan Kamrath; Rider, Bennett, Egan & Arundel, LLP

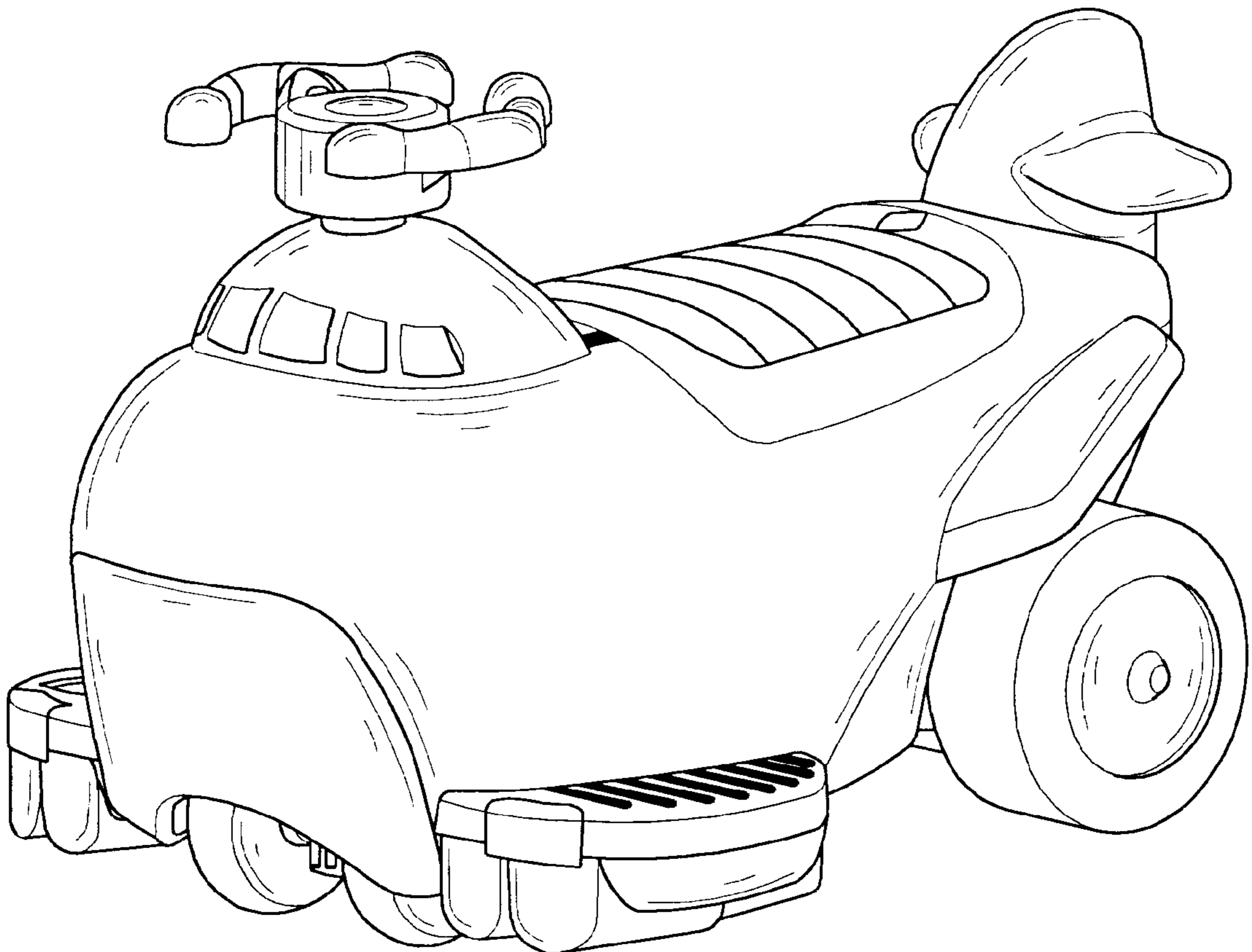
(57) **CLAIM**

The ornamental design for a toy car, as shown and described.

**DESCRIPTION**

FIG. 1 is a perspective view of a toy car showing my design; FIG. 2 is a front elevational view thereof; FIG. 3 is a rear elevational view thereof; FIG. 4 is a left elevational view thereof; FIG. 5 is a right elevational view thereof; FIG. 6 is a top plan view thereof; and, FIG. 7 is a bottom plan view thereof.

**1 Claim, 7 Drawing Sheets**



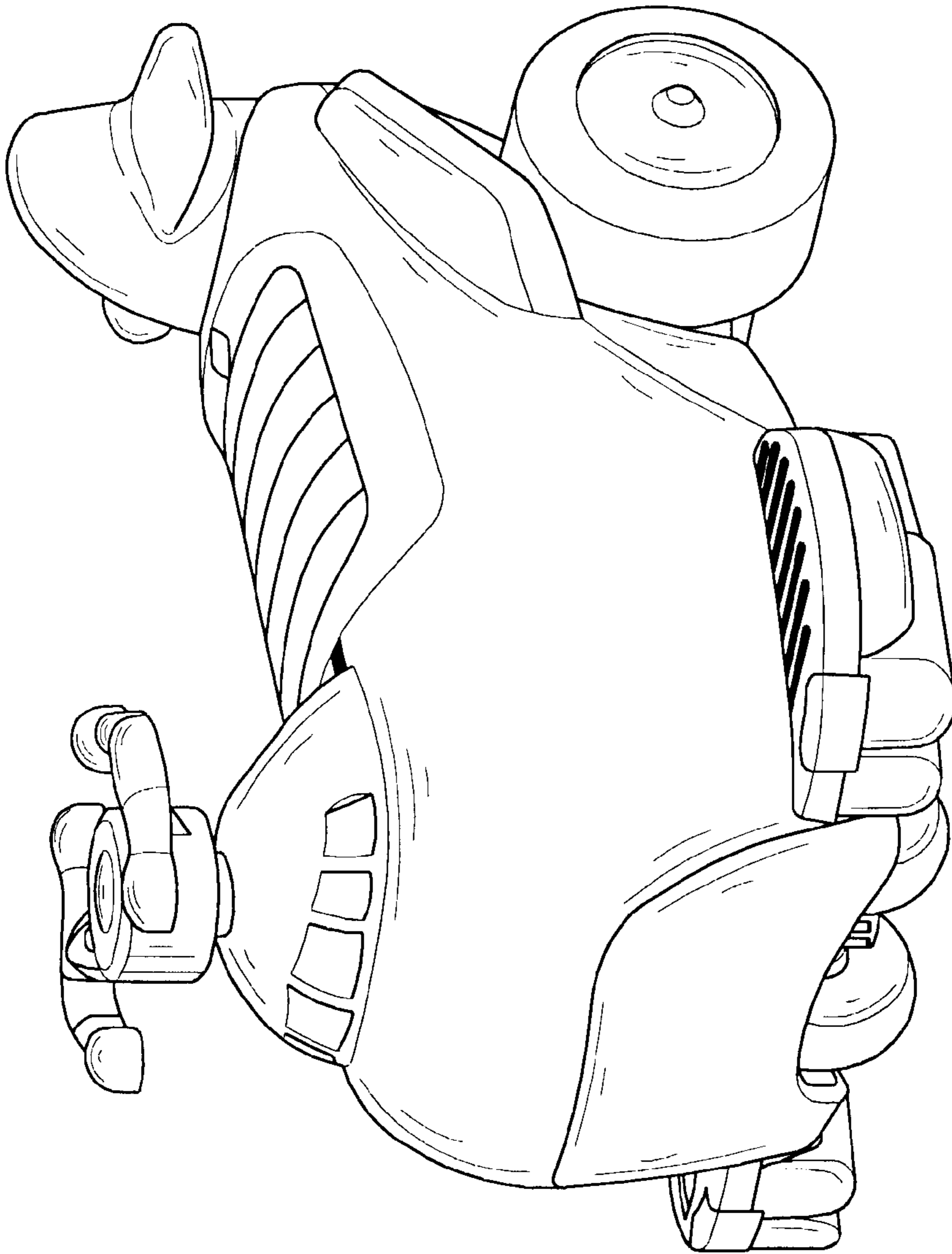


FIG. 1

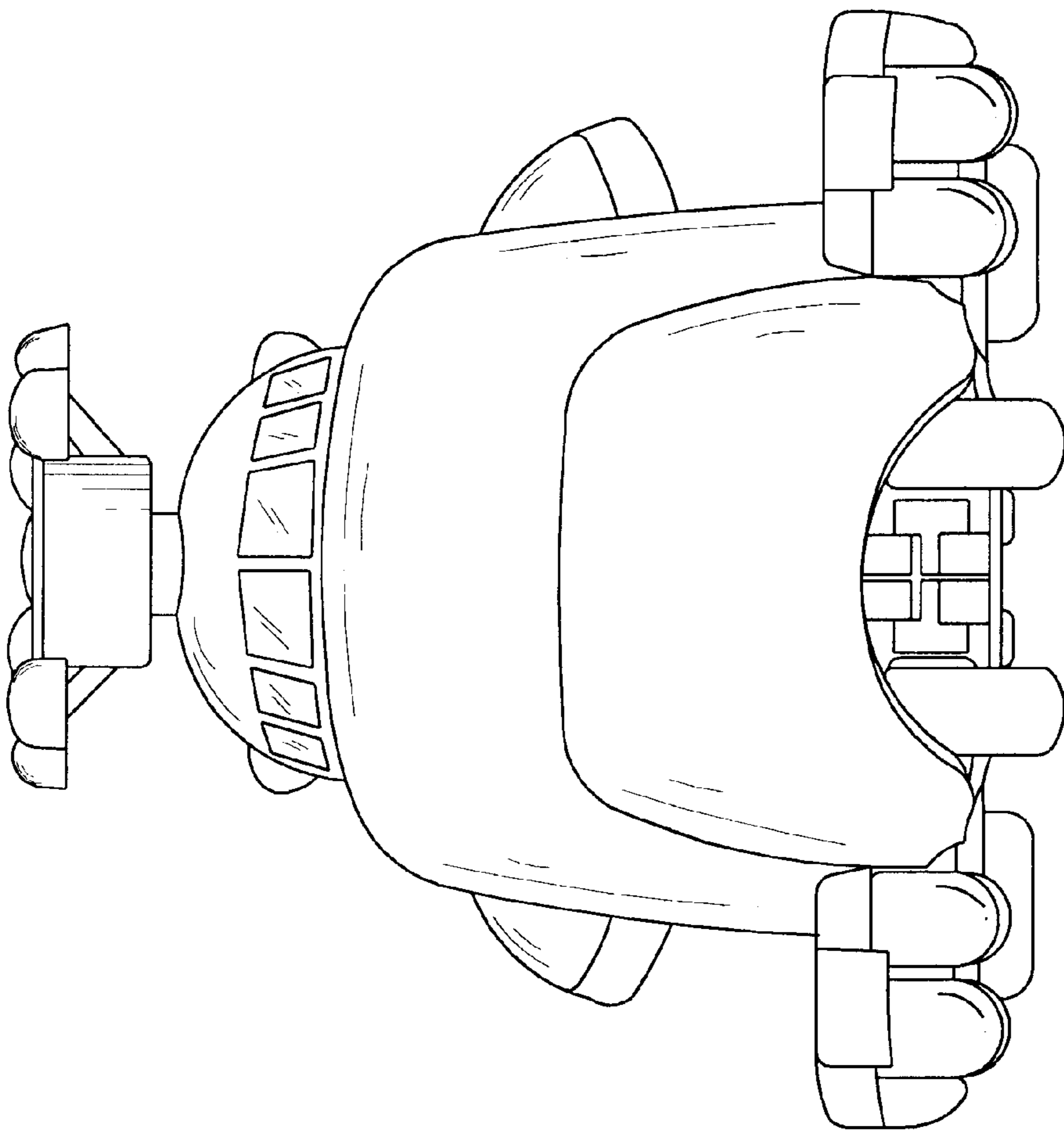


FIG. 2

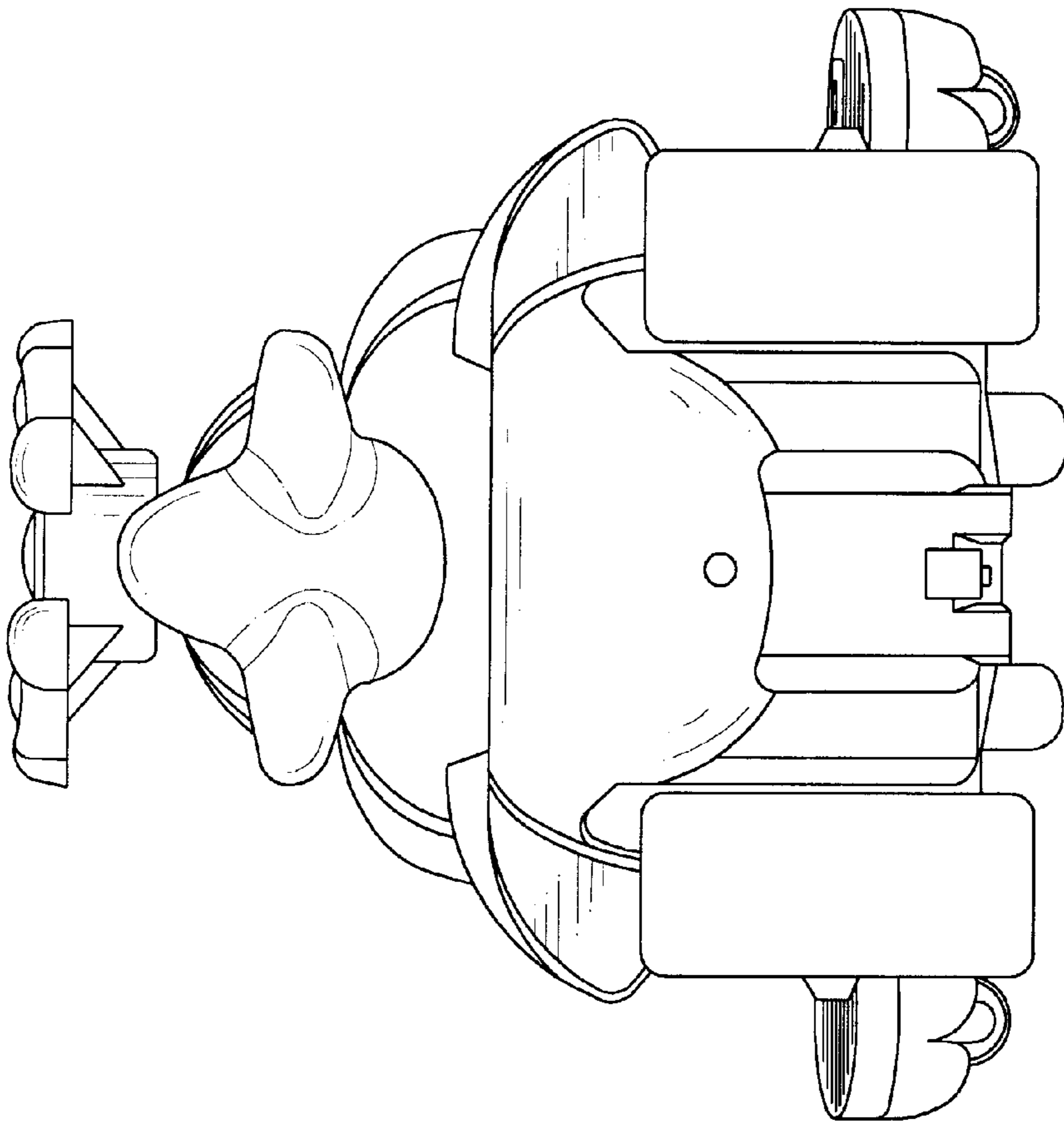


FIG. 3

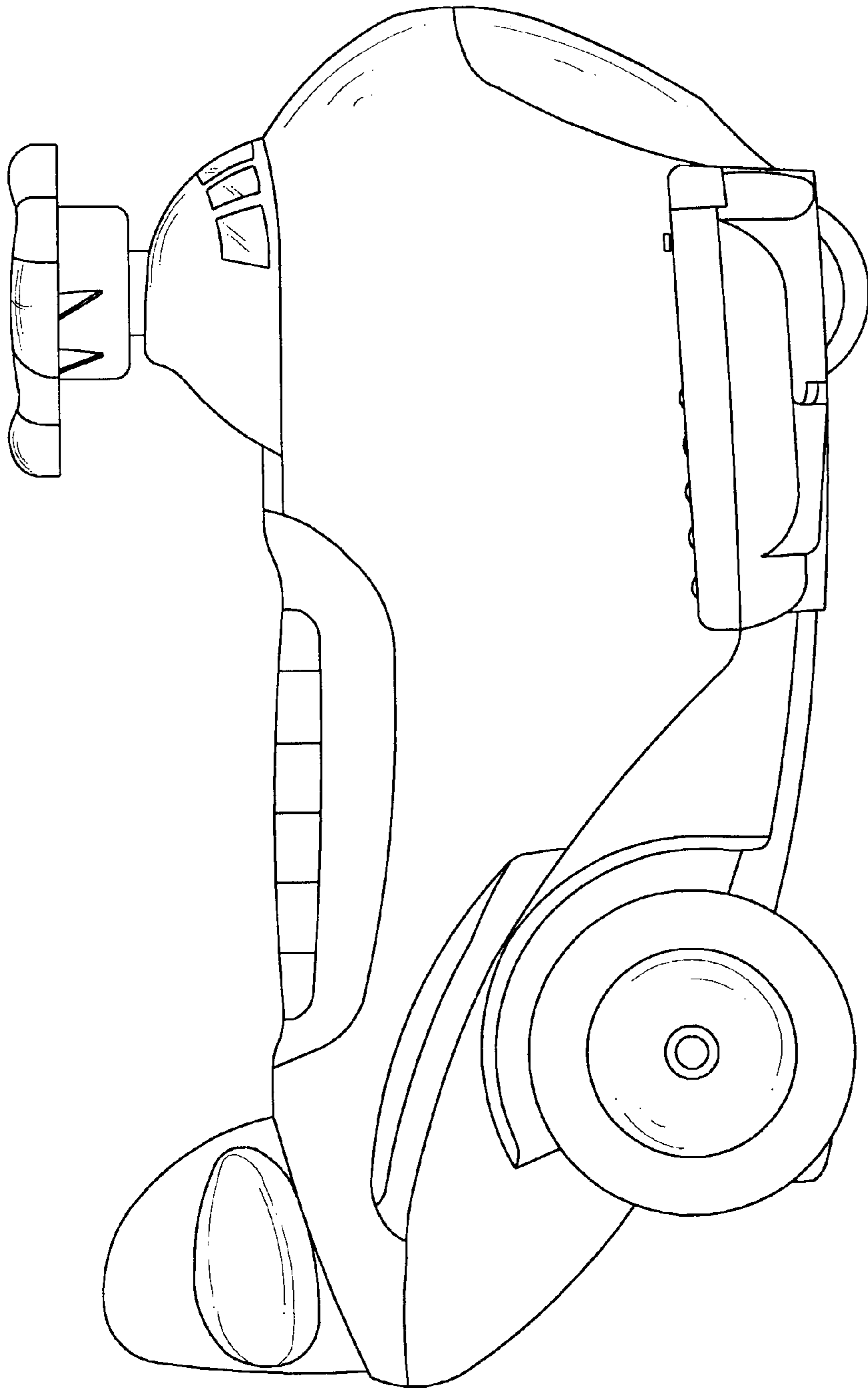


FIG. 4

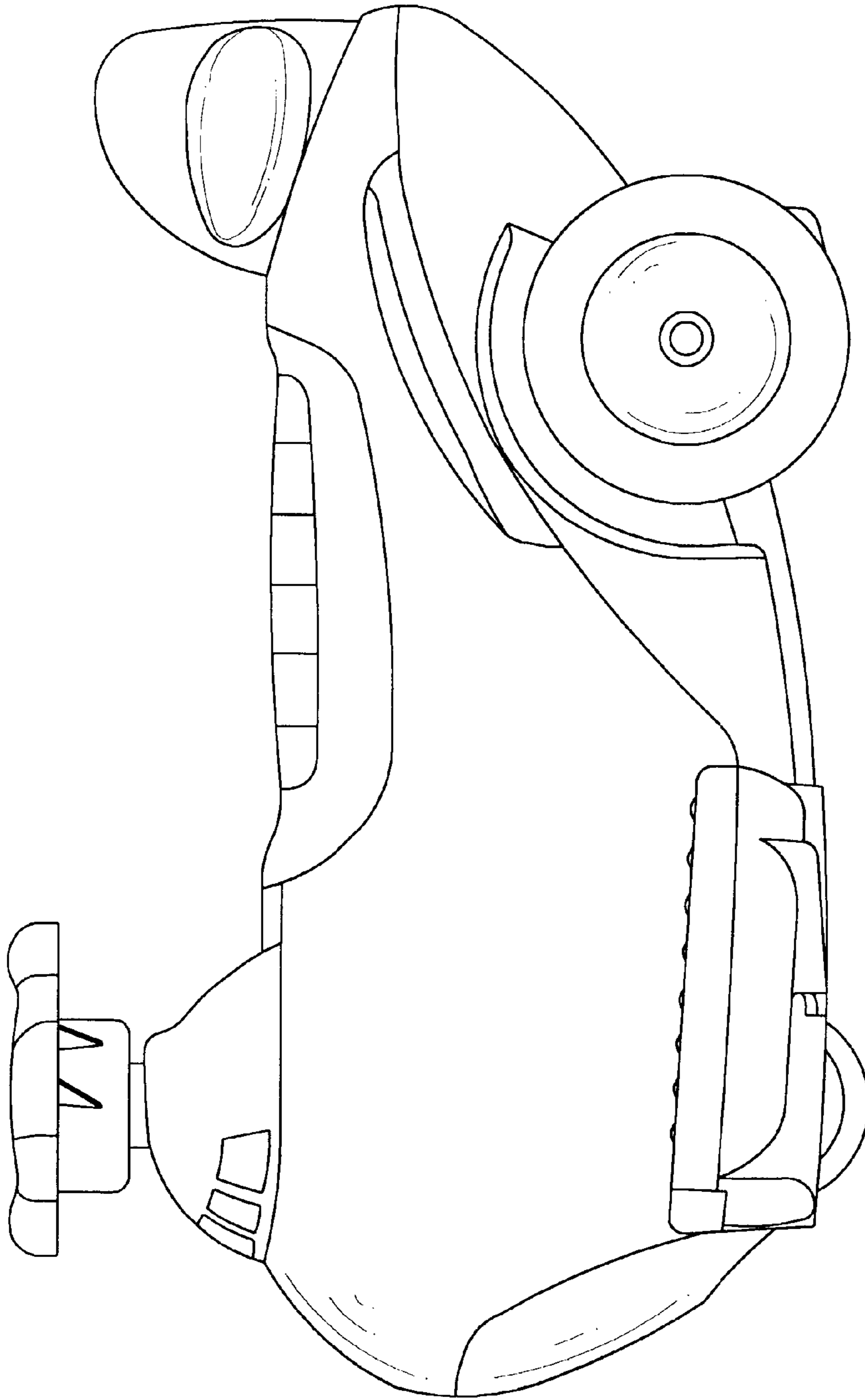


FIG. 5

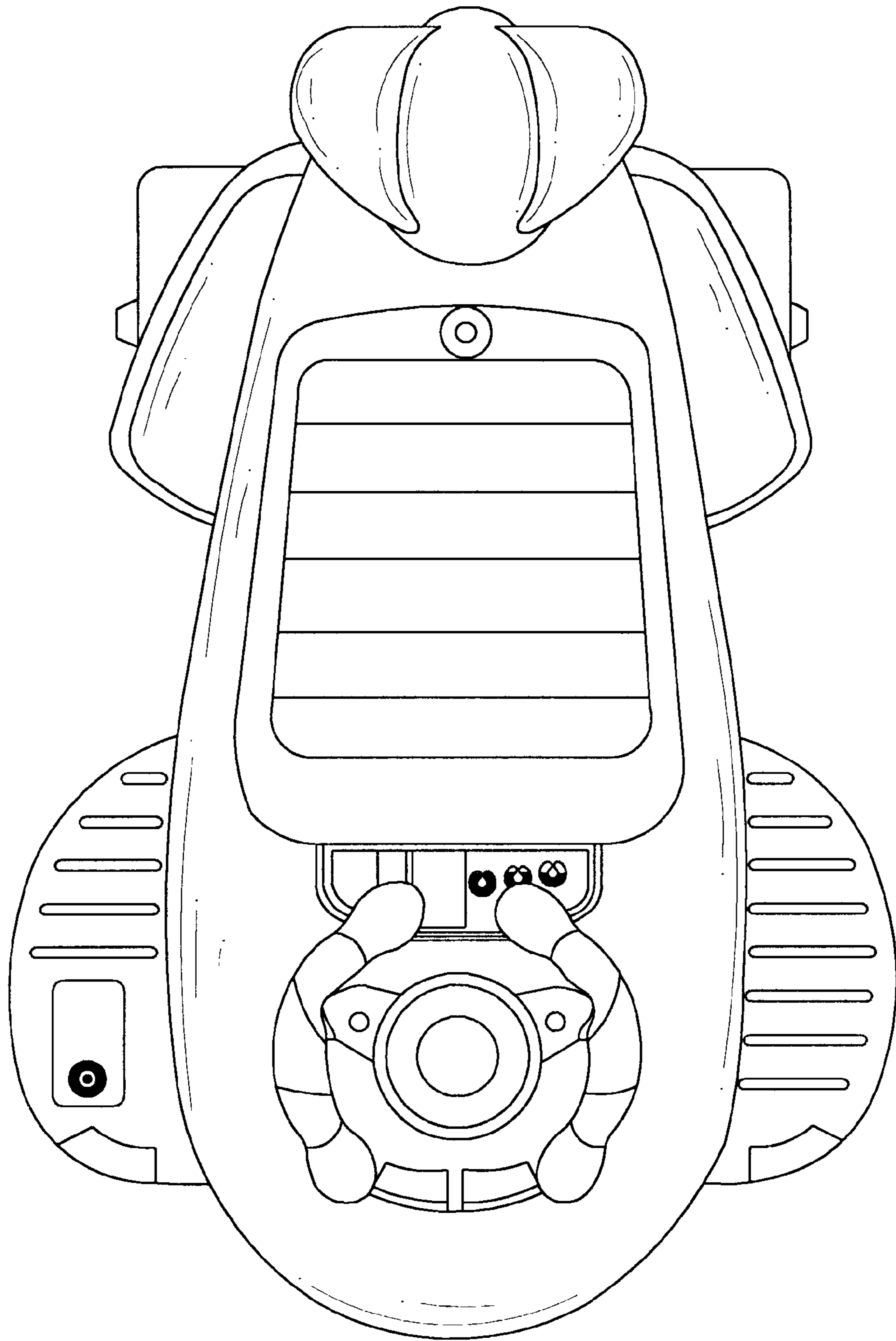


FIG. 6

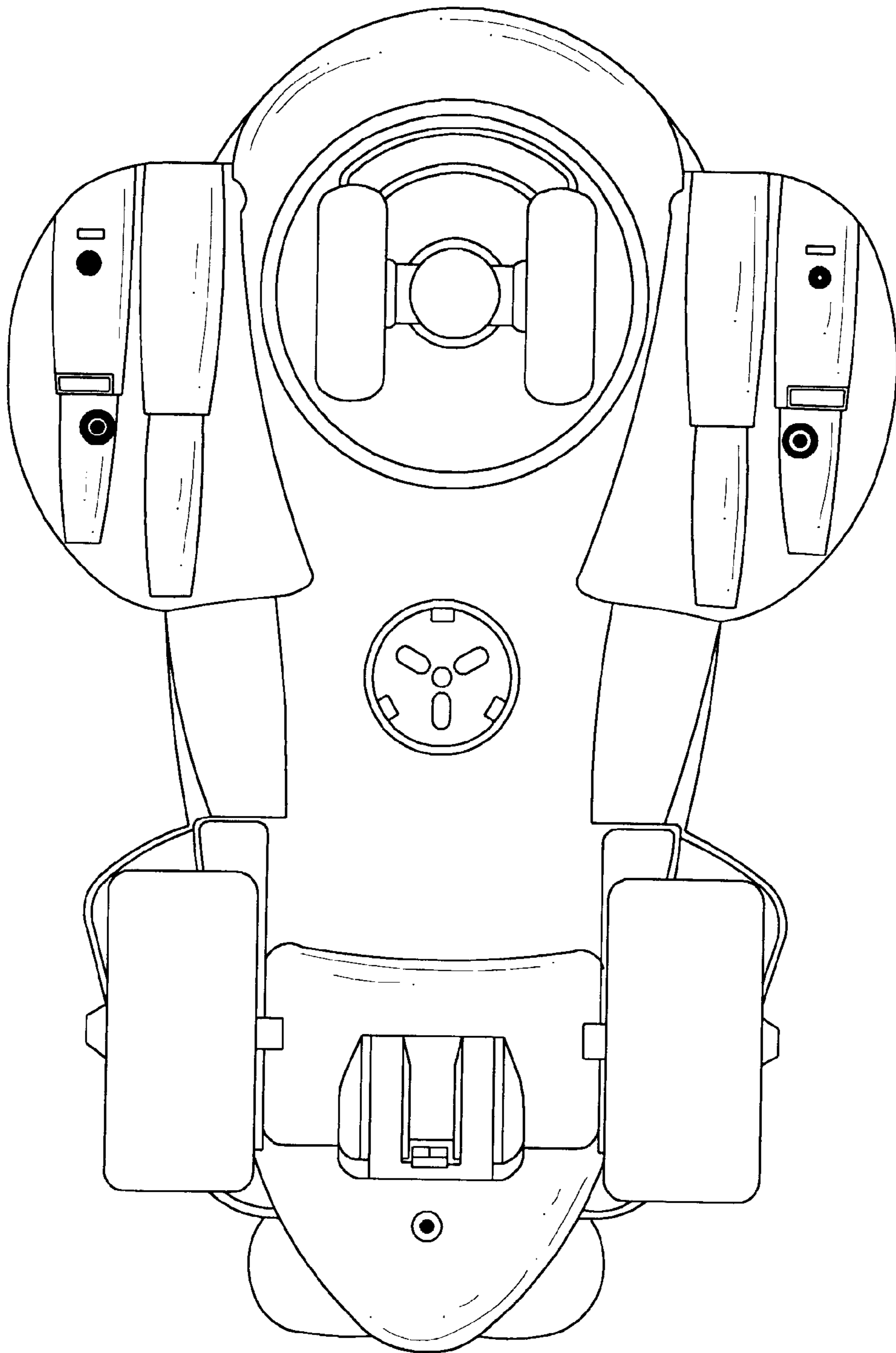


FIG. 7