



US00D455793S

(12) **United States Design Patent**  
**Lin**

(10) **Patent No.:** **US D455,793 S**

(45) **Date of Patent:** **\*\* Apr. 16, 2002**

(54) **LIQUID CRYSTAL DISPLAY MONITOR FOR MULTI-MEDIA GAMES**

(75) **Inventor:** **Wen Ping Lin**, Taipei (TW)

(73) **Assignee:** **Legend Technology Co., Ltd.**, Taipei Hsien (TW)

(\*\*) **Term:** **14 Years**

(21) **Appl. No.:** **29/138,307**

(22) **Filed:** **Mar. 12, 2001**

(30) **Foreign Application Priority Data**

Dec. 4, 2000 (TW) ..... 089308084

(51) **LOC (7) Cl.** ..... **21-01**

(52) **U.S. Cl.** ..... **D21/329; D14/496**

(58) **Field of Search** ..... D21/324, 329, D21/333; D14/496; 273/148 B; 463/1, 30, 46, 47; 349/1, 2, 5, 7, 11, 17, 19, 58; 345/50, 87, 903, 905

(56) **References Cited**

**U.S. PATENT DOCUMENTS**

4,568,080 A \* 2/1986 Yokoi ..... 463/46

4,720,781 A \* 1/1988 Crossland et al. .... 349/1  
5,777,704 A \* 7/1998 Selker ..... 349/1  
D430,169 S \* 8/2000 Sibora ..... D14/496  
6,164,645 A \* 12/2000 Weiss ..... 463/46  
D436,633 S \* 1/2001 Shimoide et al. .... D21/329  
6,262,785 B1 \* 7/2001 Kim ..... 349/58  
D449,655 S \* 10/2001 Yamanaka ..... D21/329

\* cited by examiner

*Primary Examiner*—Prabhakar Deshmukh

(74) *Attorney, Agent, or Firm*—A & J

(57) **CLAIM**

The ornamental design for an liquid crystal display monitor for multi-media games, as shown and described.

**DESCRIPTION**

FIG. 1 is a perspective view of an liquid crystal display monitor for multi-media games.

FIG. 2 is a front side elevation view thereof;

FIG. 3 is a rear side elevation view thereof;

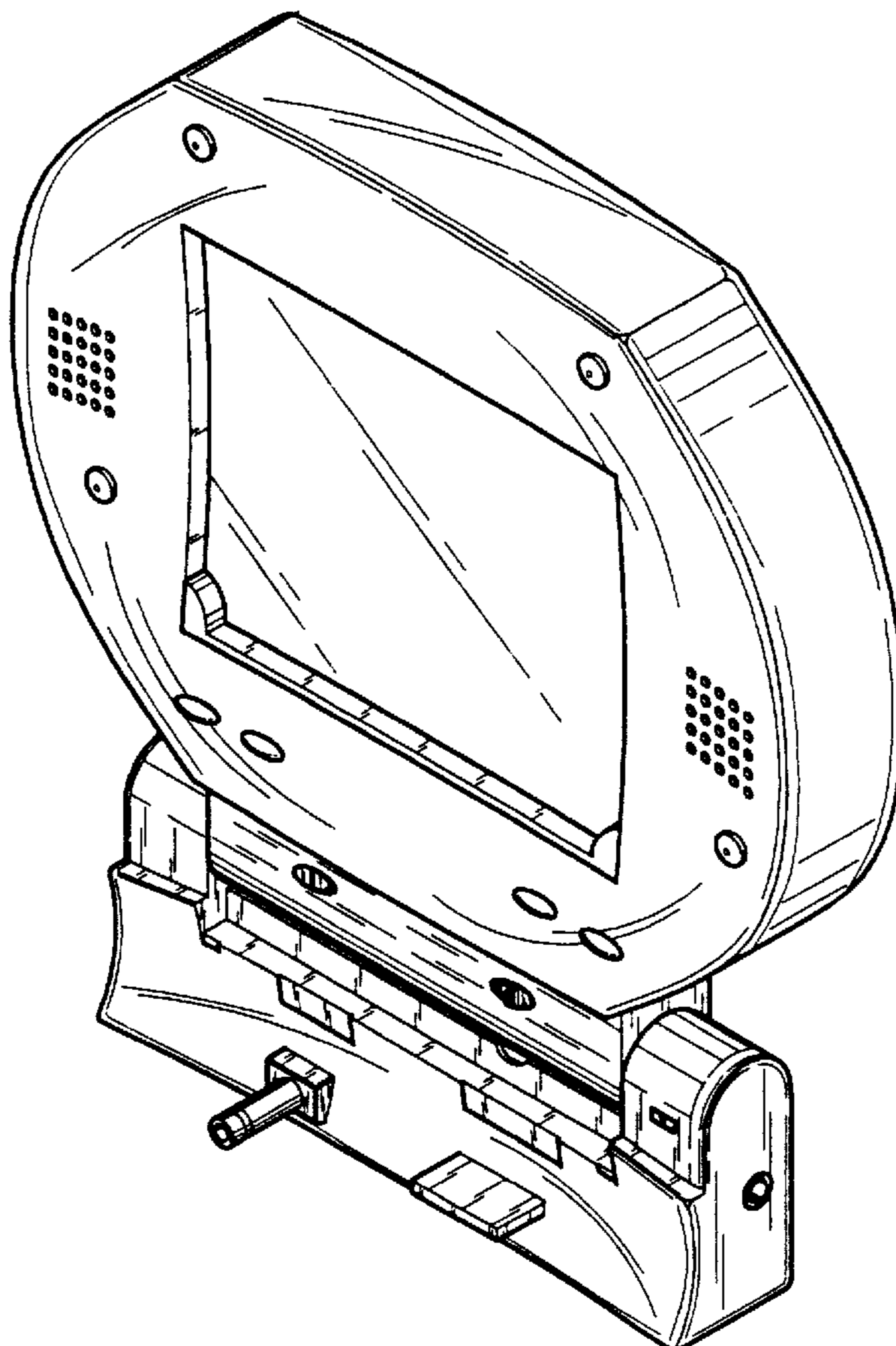
FIG. 4 is a left side elevation view thereof;

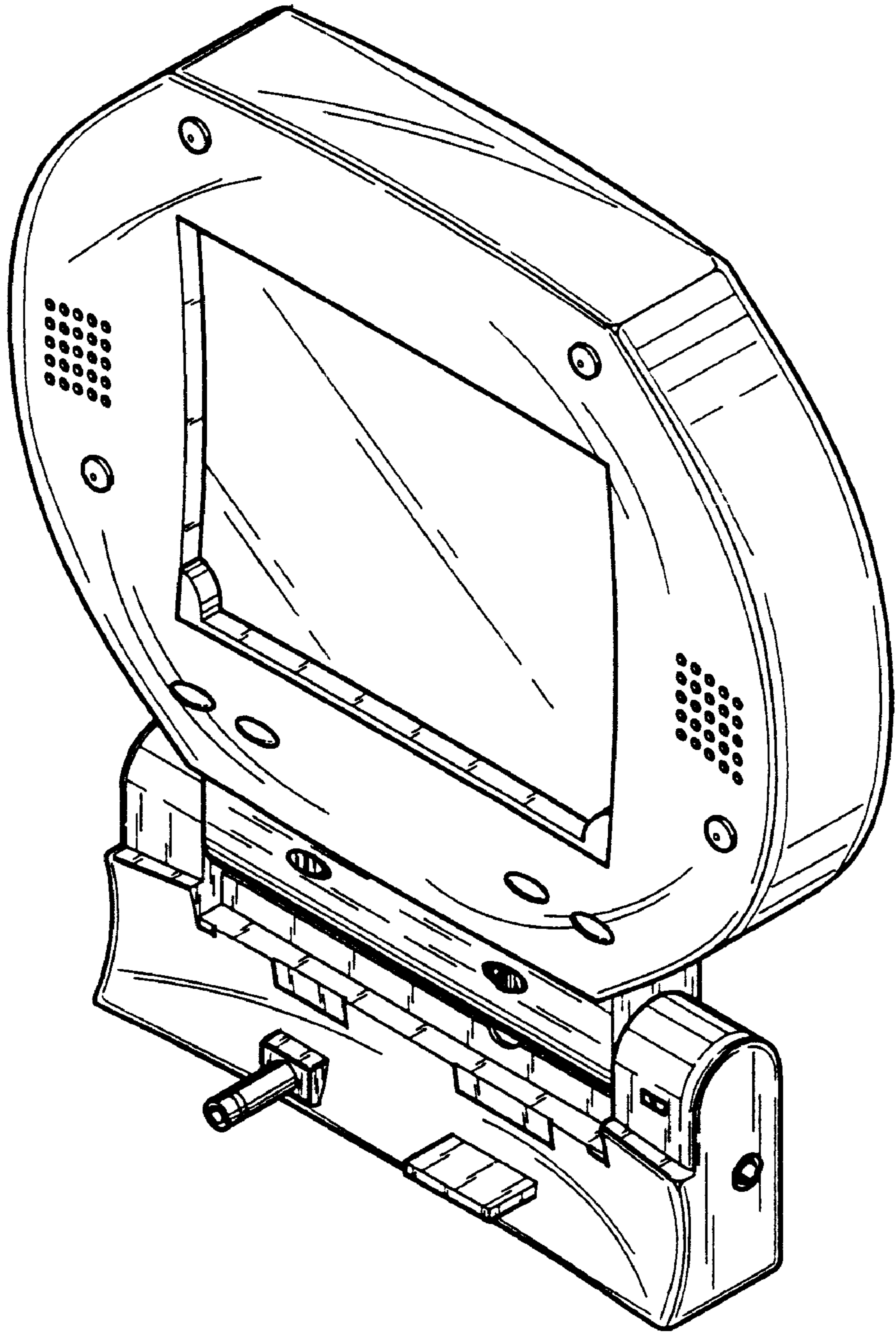
FIG. 5 is a right side elevation view thereof;

FIG. 6 is a top plan view thereof; and,

FIG. 7 is a bottom plan view thereof.

**1 Claim, 4 Drawing Sheets**





**FIG. 1**

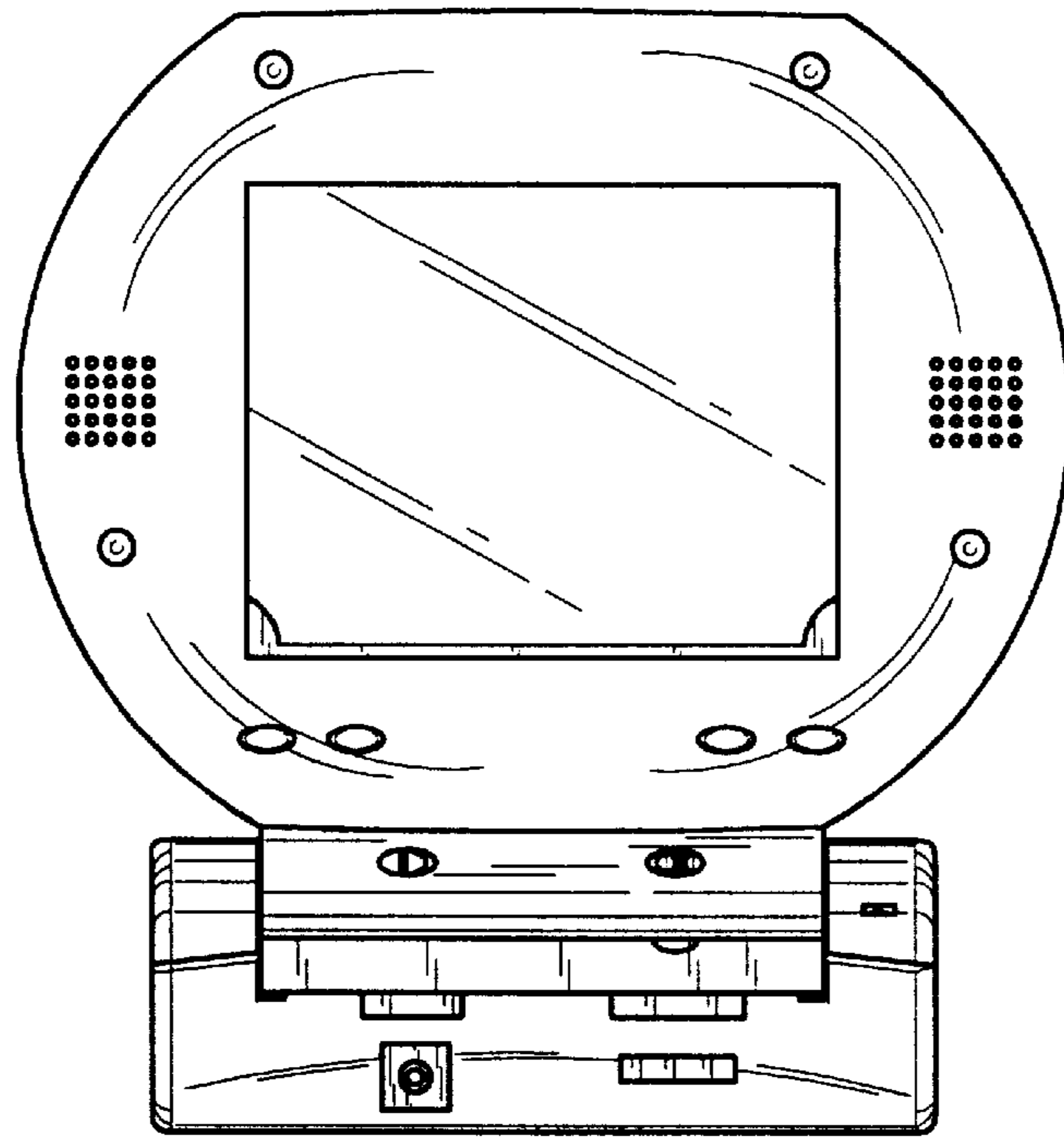


FIG. 2

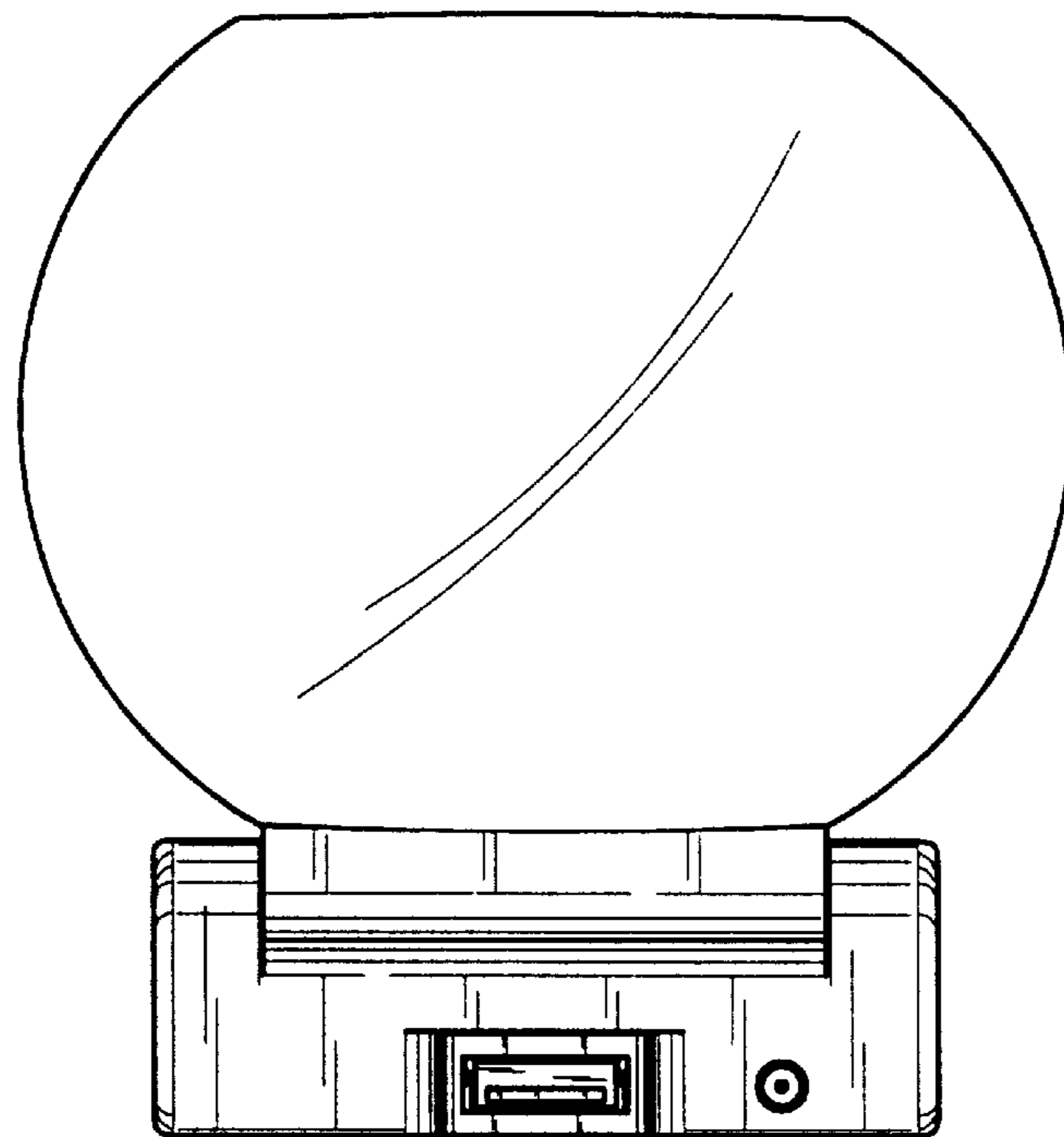


FIG. 3

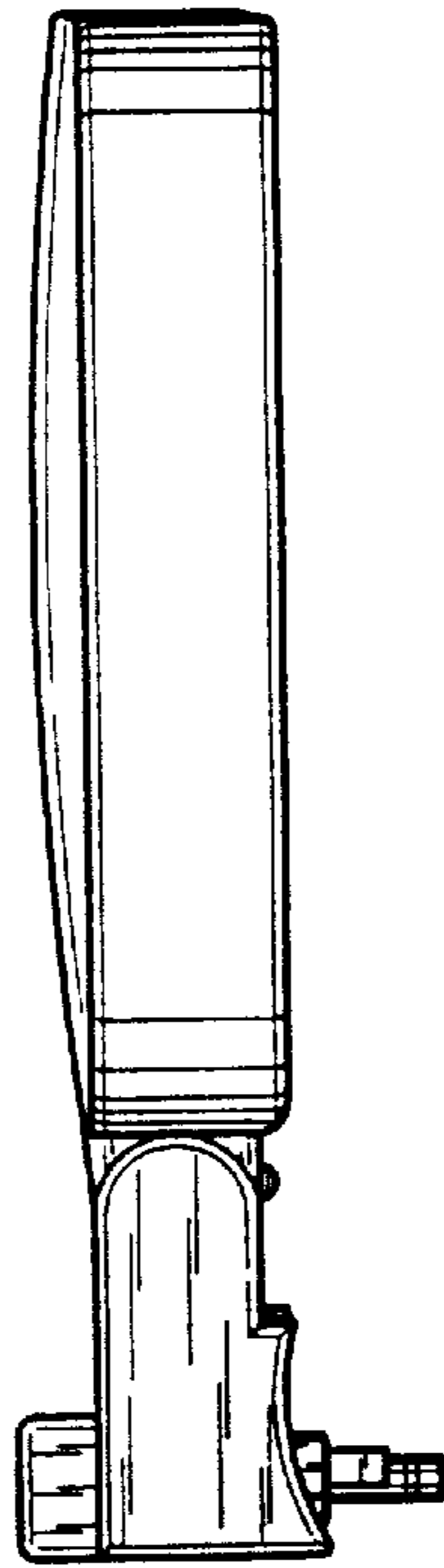


FIG. 4

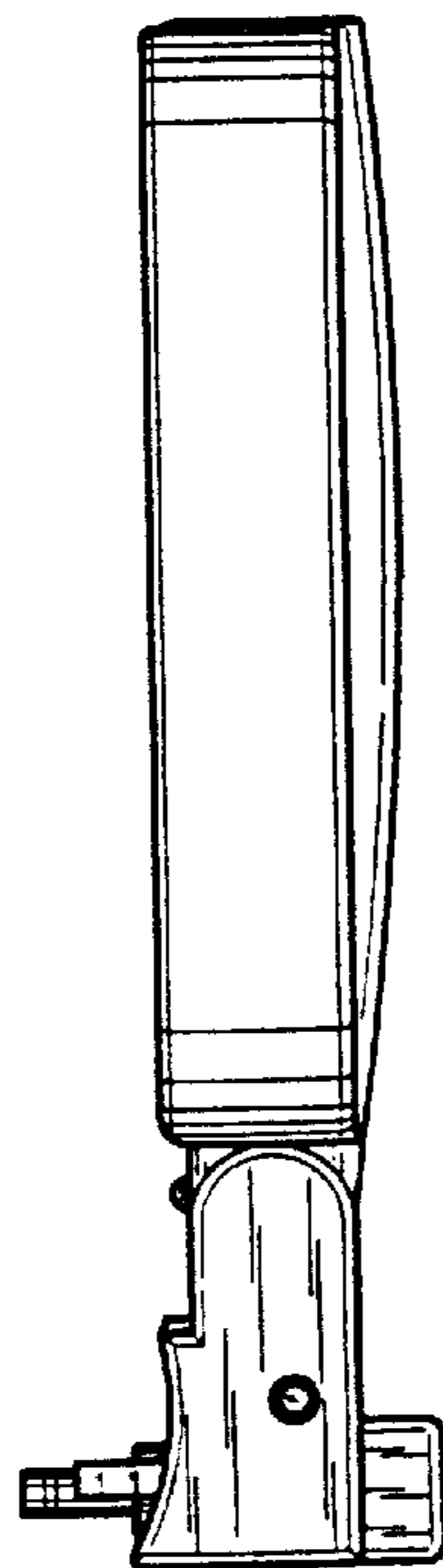
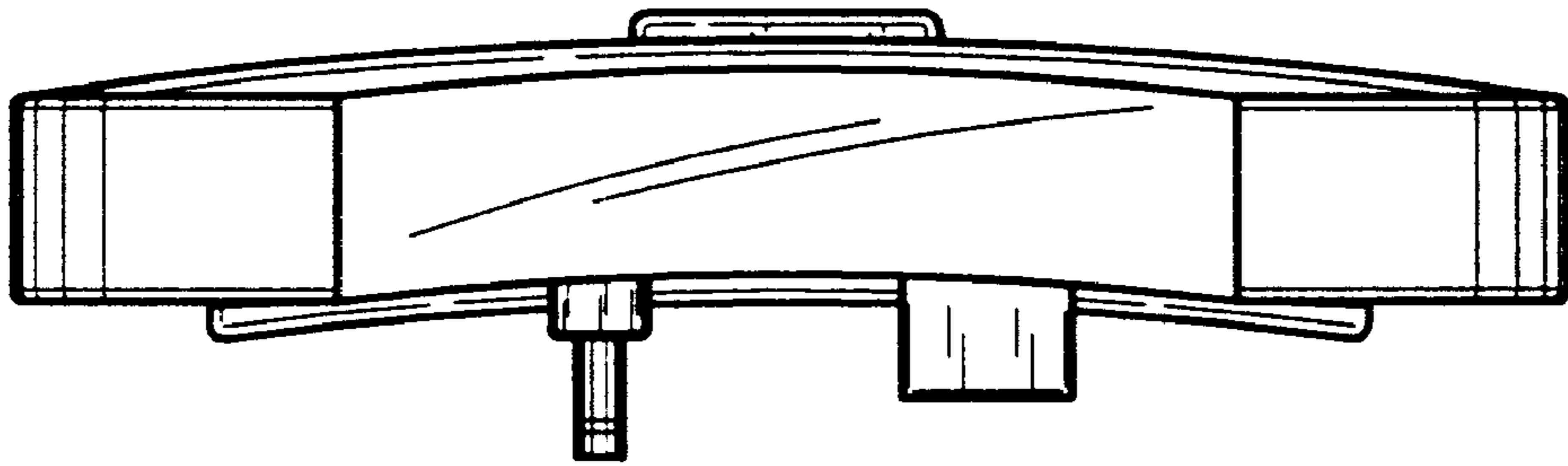
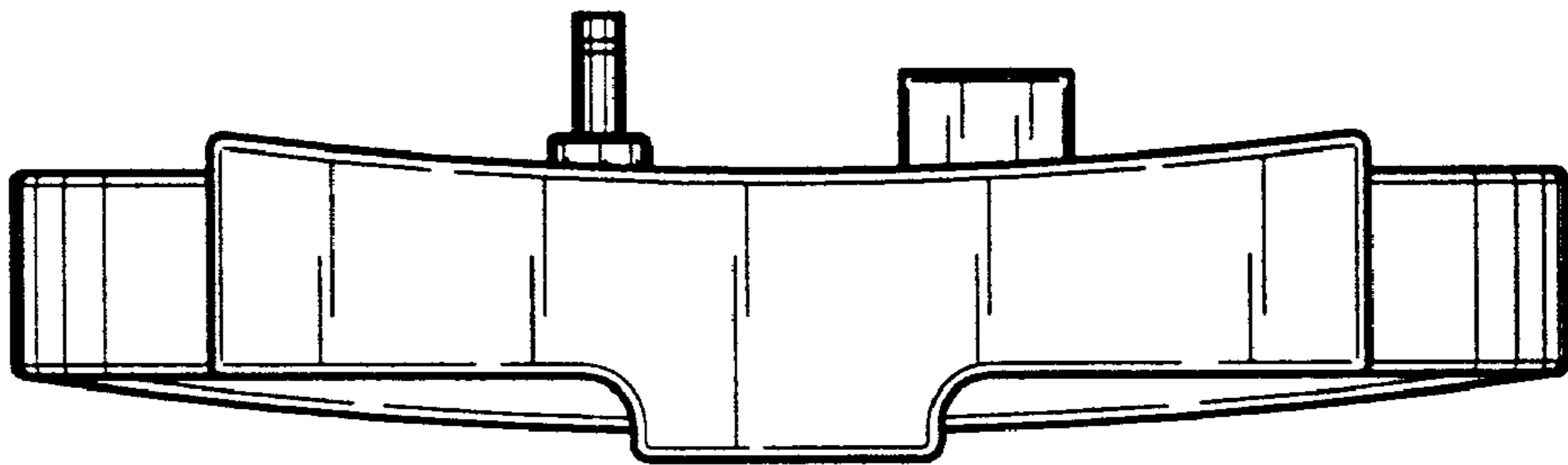


FIG. 5



**FIG. 6**



**FIG. 7**