



US00D455782S

(12) **United States Design Patent**
Singh et al.

(10) **Patent No.:** **US D455,782 S**

(45) **Date of Patent:** **** Apr. 16, 2002**

(54) **BINGO INK MARKER BOTTLE**

(75) Inventors: **Michael A. Singh**, Lakewood; **Sterling E. Lani Bradley**, North Olmsted; **Patrick H. Kennedy**, Cleveland, all of OH (US)

(73) Assignee: **Arrow International, Inc.**, Cleveland, OH (US)

(**) Term: **14 Years**

(21) Appl. No.: **29/145,967**

(22) Filed: **Aug. 1, 2001**

(51) **LOC (7) Cl.** **19-06**

(52) **U.S. Cl.** **D19/41; D9/338; D19/51**

(58) **Field of Search** D18/15; D19/35, D19/36, 41-51, 53-58, 81-85; 401/196, 198, 202, 213, 261, 262; 101/327, 368, 405, 406; D9/338, 504, 529, 539, 542

(56) **References Cited**

U.S. PATENT DOCUMENTS

D209,715 S	12/1967	Ninesling et al.	
D242,225 S	* 11/1976	Sinclair D9/529
D250,248 S	* 11/1978	Grip D9/338
D300,118 S	3/1989	Venne et al.	
4,946,053 A	8/1990	Conrad	
D337,939 S	8/1993	Smith, Jr.	
D345,376 S	3/1994	Underwood, Jr.	
D352,242 S	11/1994	Crawford et al.	
D381,042 S	* 7/1997	Roche D19/51
D389,865 S	* 1/1998	Venne et al. D19/48

5,713,681 A	2/1998	Venne et al.	
D396,244 S	* 7/1998	Venne et al. D19/43
6,095,705 A	8/2000	Phillips	
D448,408 S	* 9/2001	Calabro et al. D19/48

OTHER PUBLICATIONS

Arrow International, Inc., 2001 Bingo Catalog, cover page and pp. 30-33 and 36.

* cited by examiner

Primary Examiner—Martie K. Holtje

(74) *Attorney, Agent, or Firm*—Fay, Sharpe, Fagan, Minnich & McKee, LLP

(57) **CLAIM**

The ornamental design for a bingo ink marker bottle, as shown and described.

DESCRIPTION

FIG. 1 is an exploded perspective view of a bingo ink marker bottle showing our new design with a cap thereof;

FIG. 2 is a top plan view thereof;

FIG. 3 is a bottom plan view thereof;

FIG. 4 is a right side elevational view thereof, the left side elevational view being a mirror image thereof;

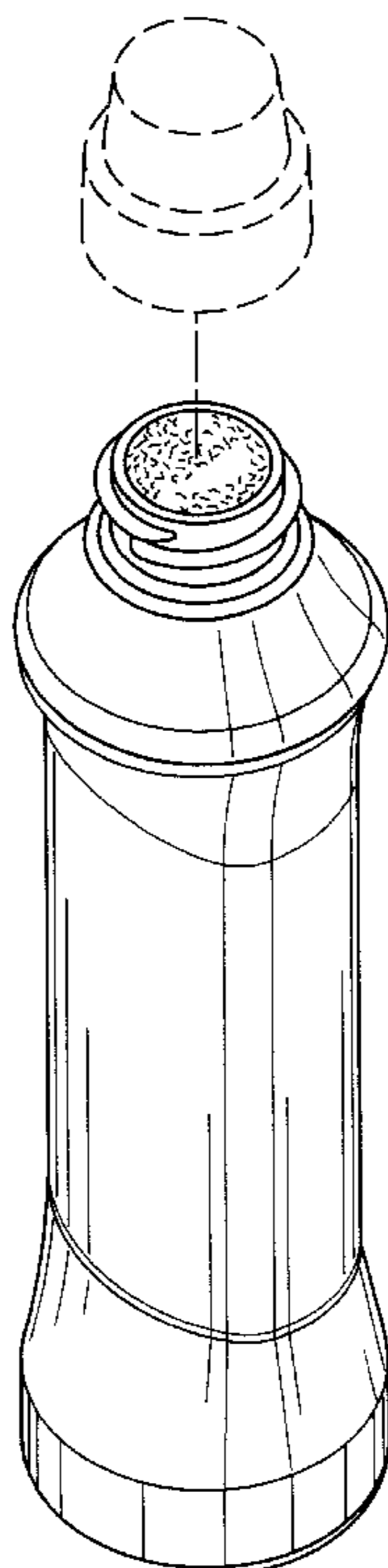
FIG. 5 is a front elevational view thereof;

FIG. 6 is a rear elevational view thereof; and,

FIG. 7 is a cross-sectional view thereof along line 7-7 of FIG. 6.

The part shown in broken lines in FIG. 1 is shown for illustrative purposes only and forms no part of the claimed design.

1 Claim, 3 Drawing Sheets



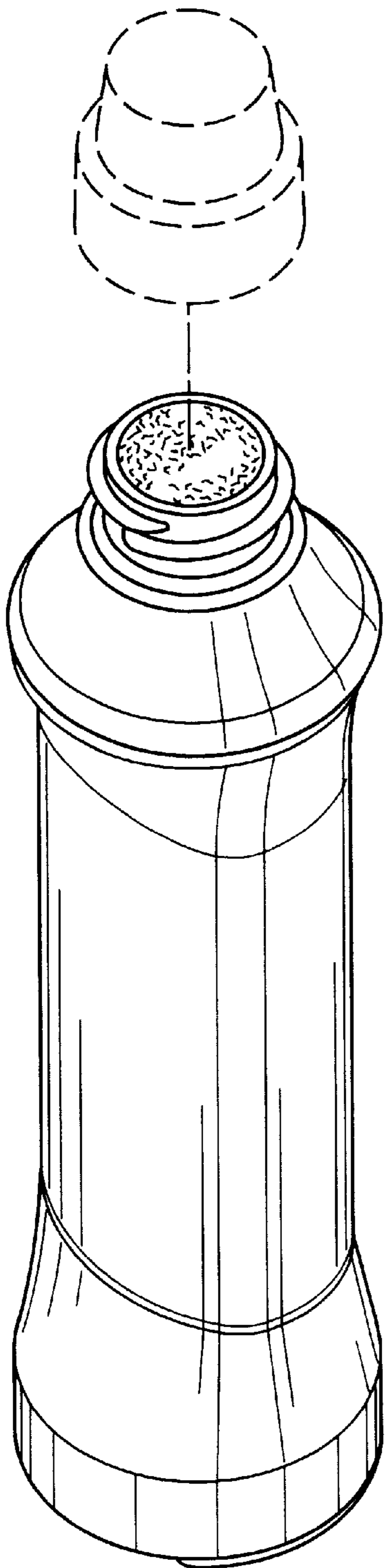


FIG. 1

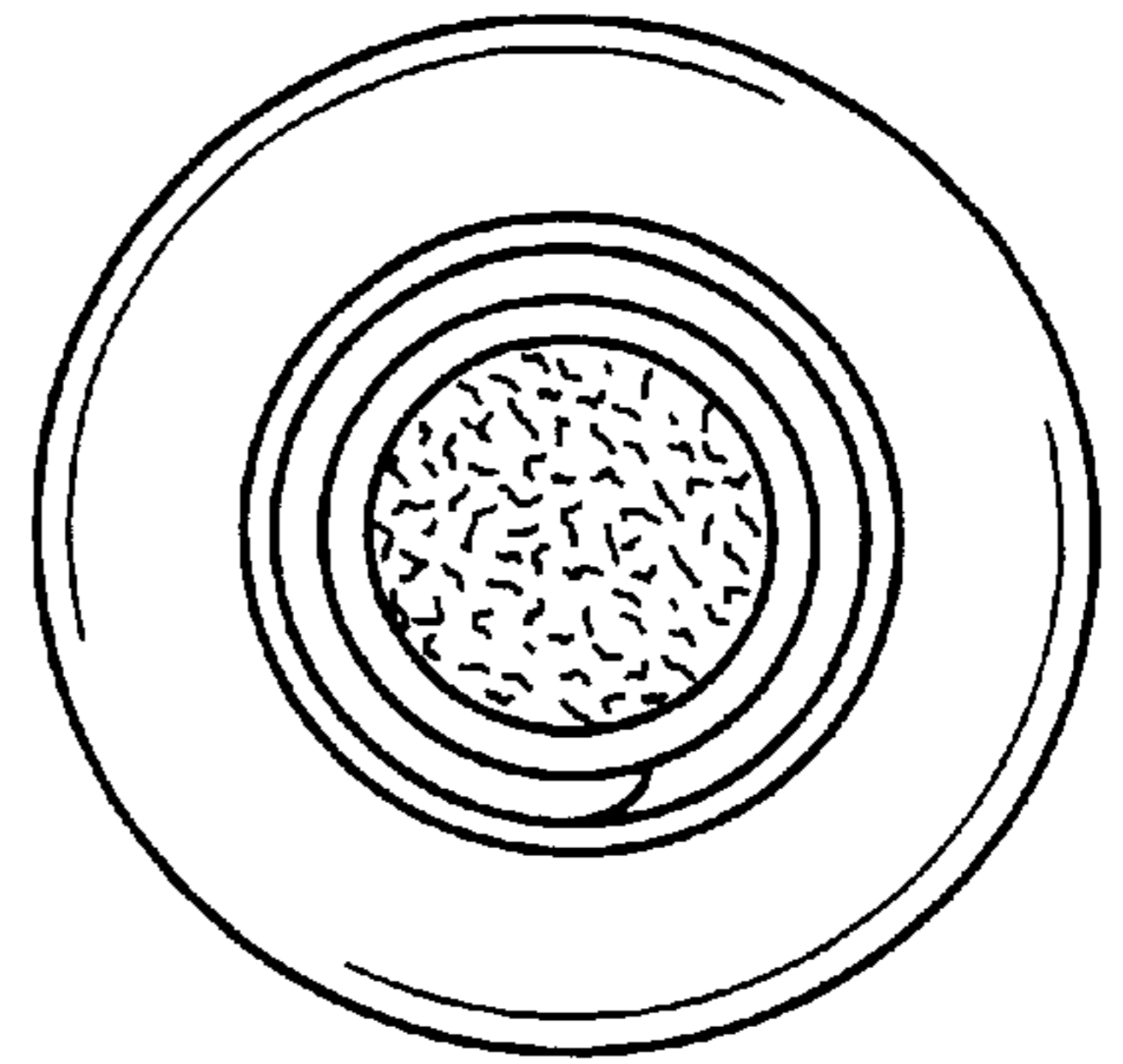


FIG. 2

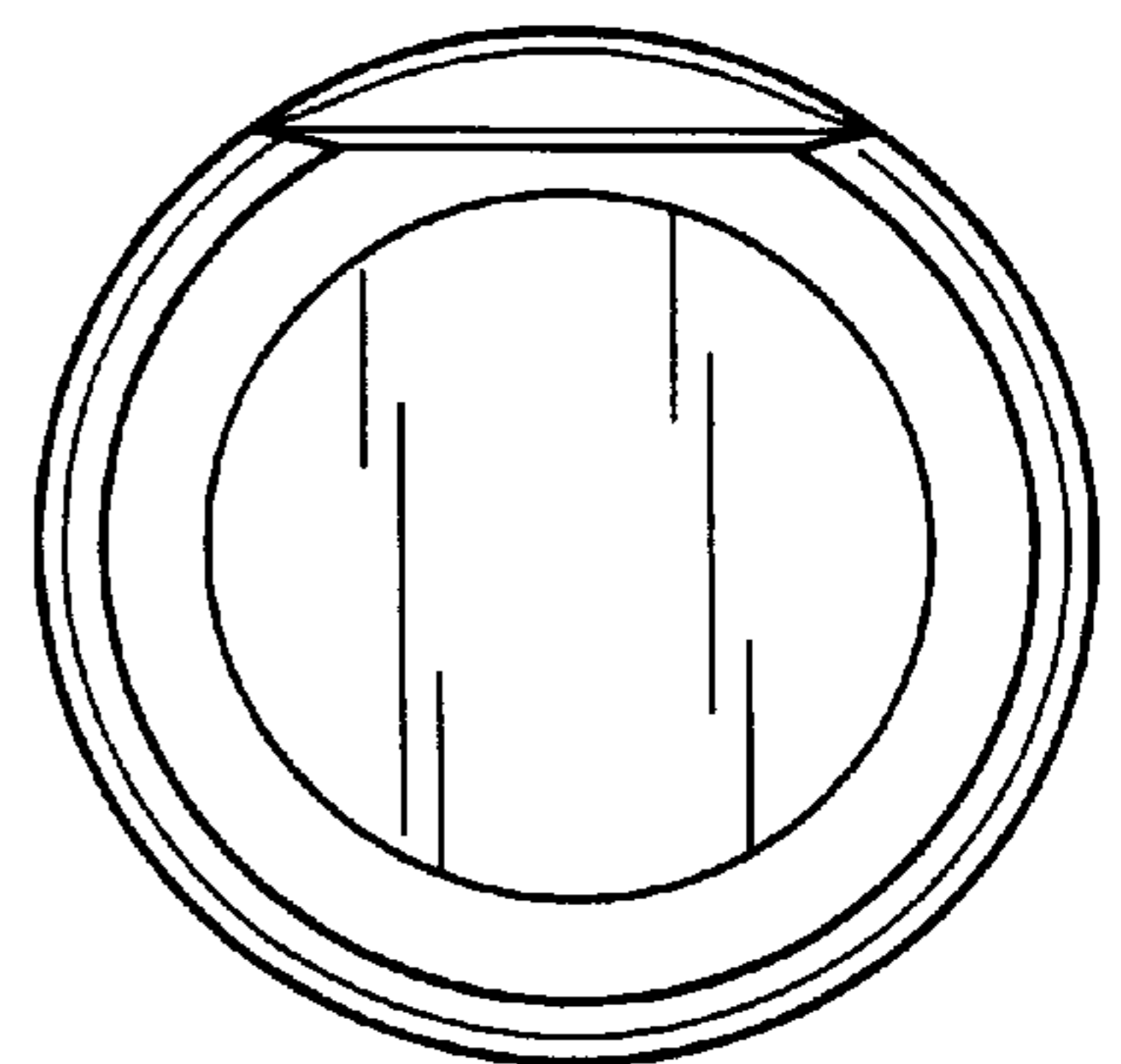


FIG. 3

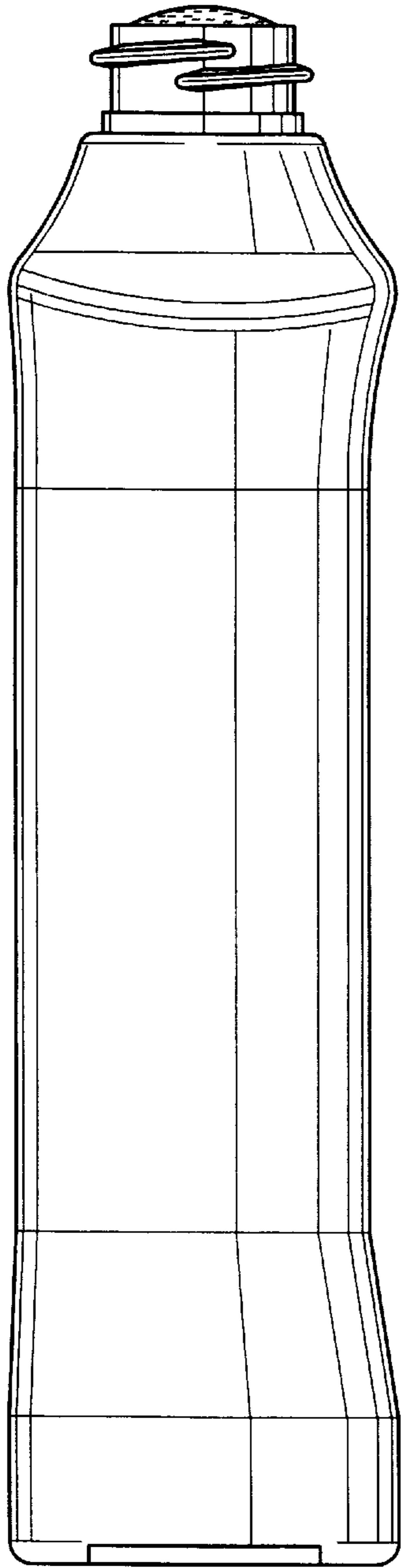


FIG. 4

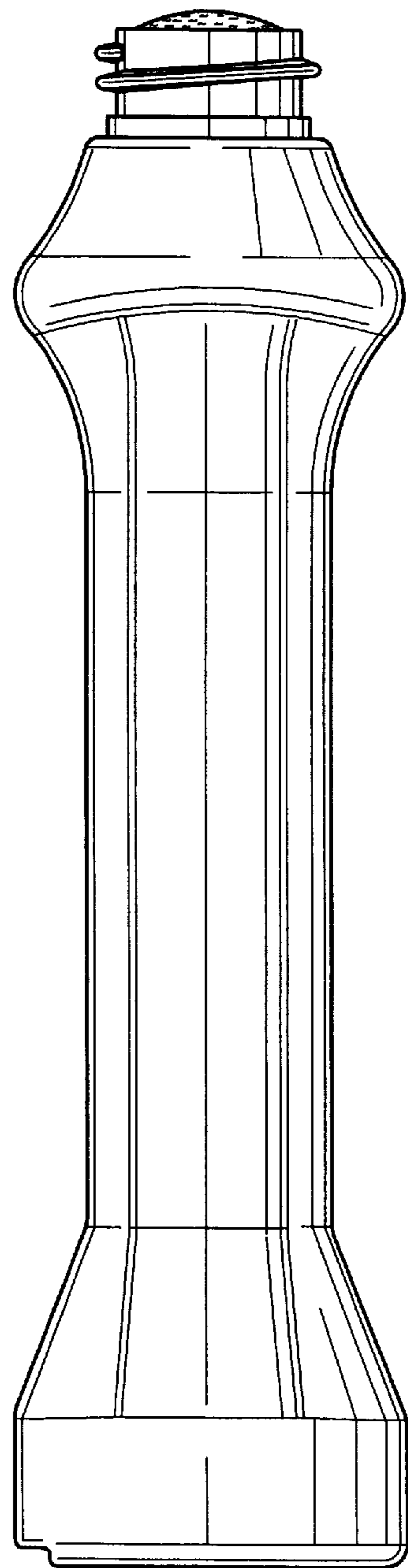


FIG. 5

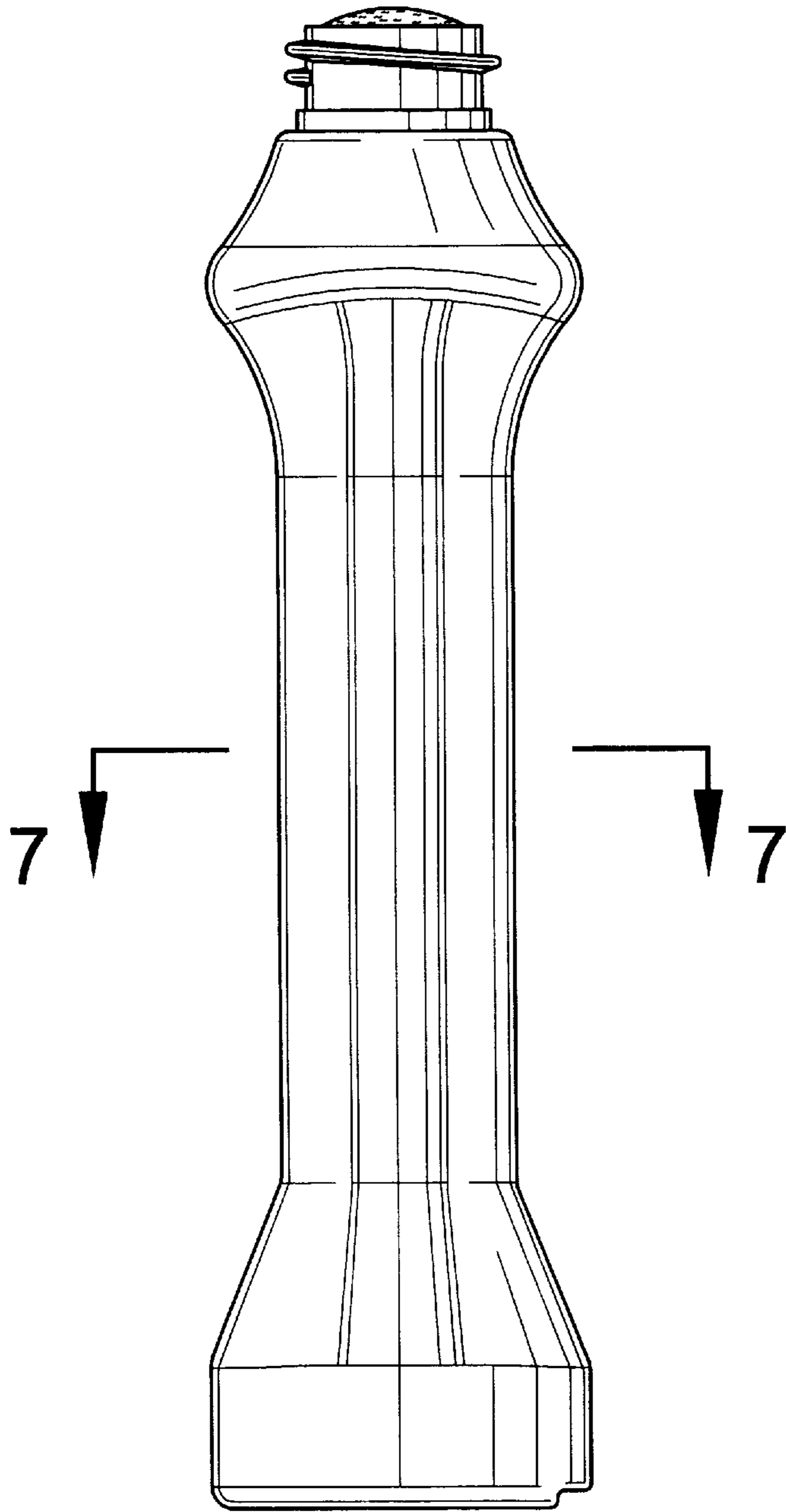


FIG. 6

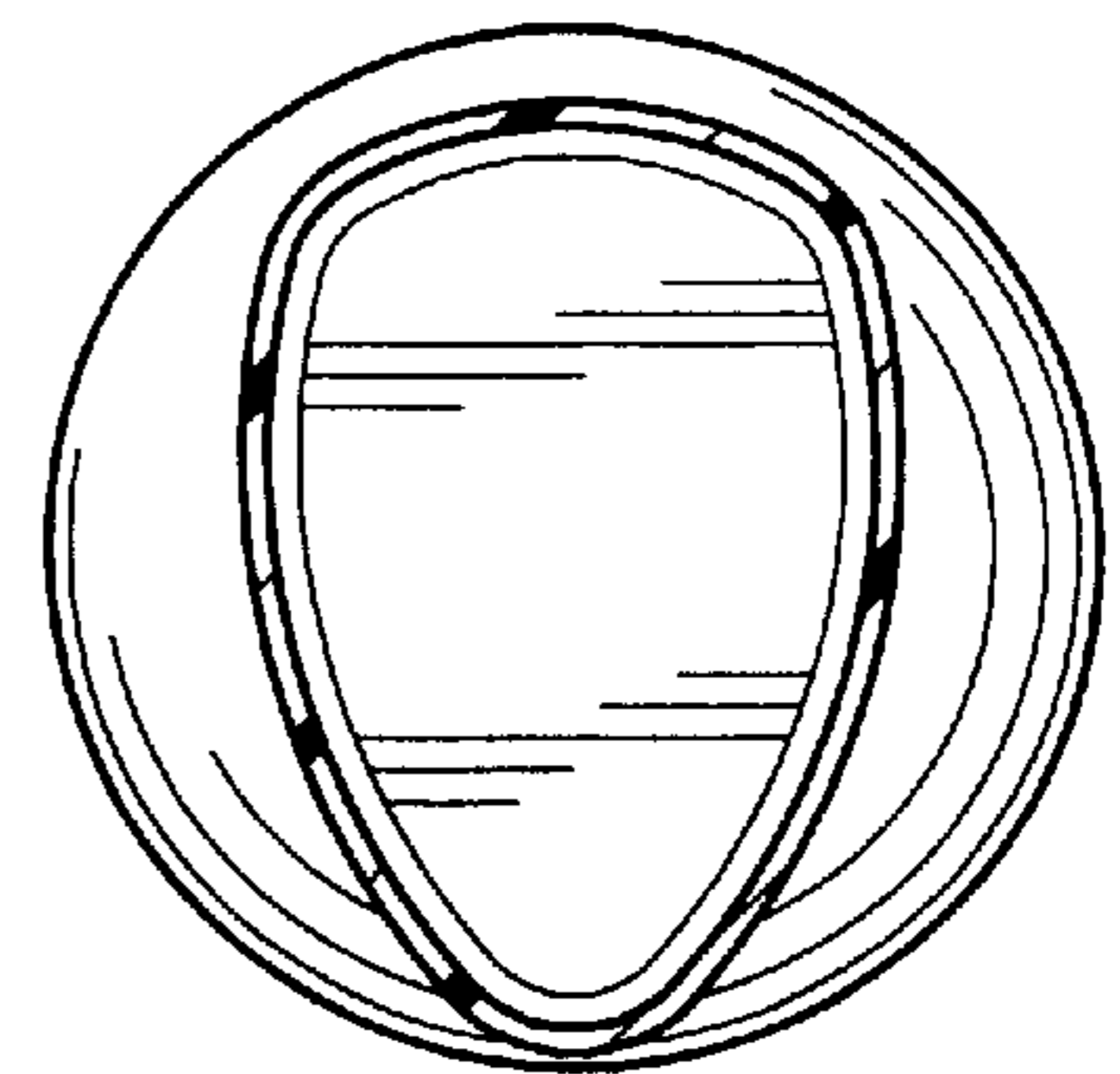


FIG. 7