



US00D455780S

(12) **United States Design Patent**  
**Seino et al.**

(10) **Patent No.:** **US D455,780 S**

(45) **Date of Patent:** **\*\* Apr. 16, 2002**

(54) **INK CARTRIDGE FOR PRINTER**

(75) Inventors: **Takeo Seino; Satoshi Shinada; Koichi Toba**, all of Nagano-ken (JP)

(73) Assignee: **Seiko Epson Corporation**, Tokyo (JP)

(\*\*) Term: **14 Years**

(21) Appl. No.: **29/133,493**

(22) Filed: **Nov. 29, 2000**

(30) **Foreign Application Priority Data**

May 31, 2000 (JP) ..... 2000-014522  
May 31, 2000 (JP) ..... 2000-014524

(51) **LOC (7) Cl.** ..... **18-02**

(52) **U.S. Cl.** ..... **D18/56; 347/86**

(58) **Field of Search** ..... **D18/56; 347/86, 347/87**

(56) **References Cited**

**U.S. PATENT DOCUMENTS**

D365,596 S	12/1995	Miyazawa et al.	
D378,760 S	* 4/1997	Shinada et al.	D18/56
D382,296 S	* 8/1997	Shinada et al.	D18/56
D389,180 S	* 1/1998	Miyazawa et al.	D18/56
D390,598 S	2/1998	Miyazawa et al.	
D397,143 S	8/1998	Kobayashi et al.	
D400,575 S	* 11/1998	Kobayashi et al.	D18/56
D425,285 S	5/2000	Shinada et al.	
D438,896 S	* 3/2001	Shinada et al.	D18/56
D439,609 S	* 3/2001	Shinada et al.	D18/56
D442,221 S	* 5/2001	Seino et al.	D18/56

**FOREIGN PATENT DOCUMENTS**

EP	2088303	5/1999
JP	1085820	9/2000

**OTHER PUBLICATIONS**

Pending U.S. Design application No. 29/122,523, Official Filing Receipt and copy of filed design application now Des. 442,221.

United Kingdom Certificate of Registration of Design No. 2046952, registered Mar. 31, 1995, same as Des. 378,760, Listed above.

\* cited by examiner

*Primary Examiner*—Cathy Anne MacCormac

(74) *Attorney, Agent, or Firm*—Stroock & Stroock & Lavan LLP

(57) **CLAIM**

The ornamental design for an ink cartridge for printer, as shown and described.

**DESCRIPTION**

FIG. 1 is a top, front and left side perspective view of an ink cartridge for printer showing our new design;

FIG. 2 is a bottom, front and right side perspective view thereof;

FIG. 3 is a top plan view thereof;

FIG. 4 is a front elevational view thereof;

FIG. 5 is a right side view thereof;

FIG. 6 is a left side view thereof;

FIG. 7 is a bottom view thereof;

FIG. 8 is a top, rear and right side perspective view of a second embodiment of an ink cartridge for printer;

FIG. 9 is a top plan view thereof;

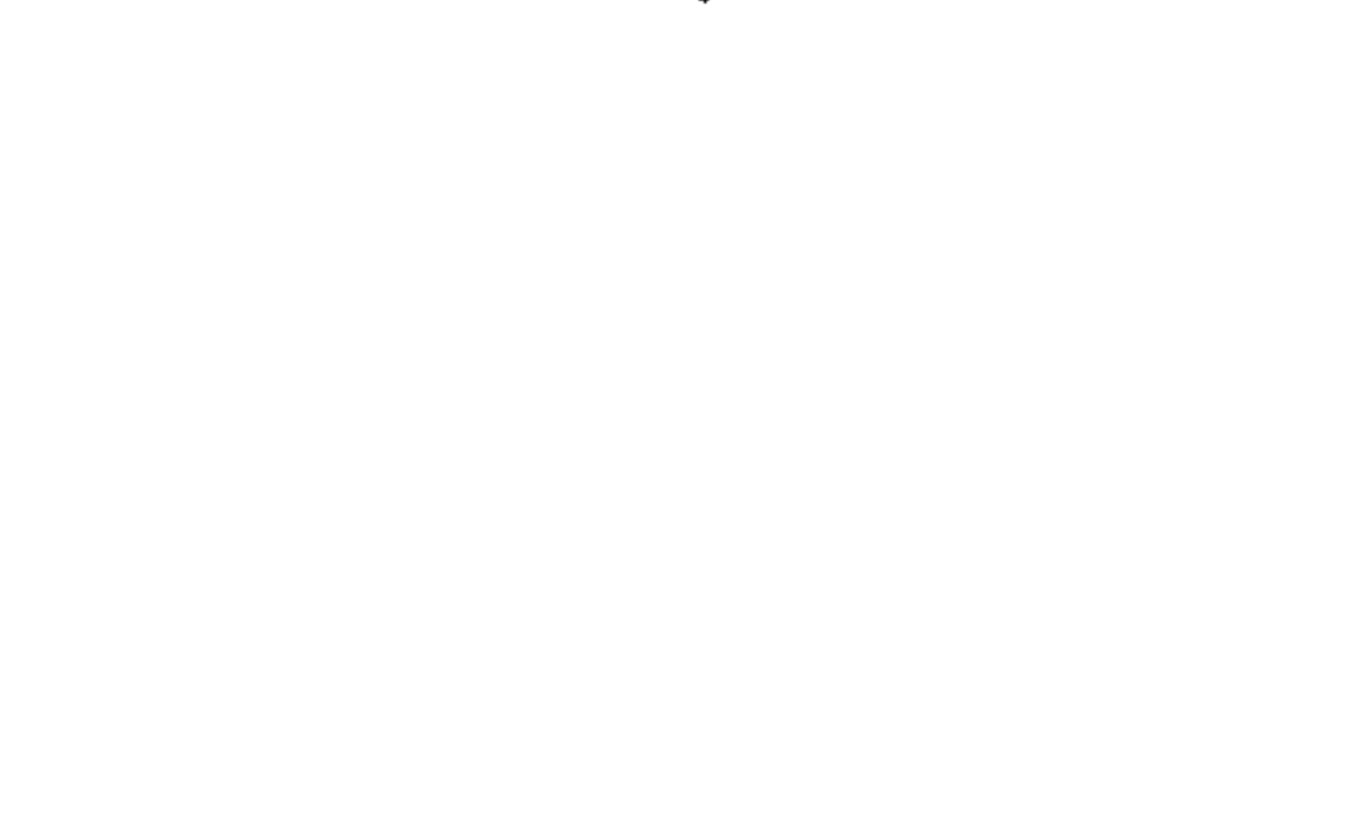
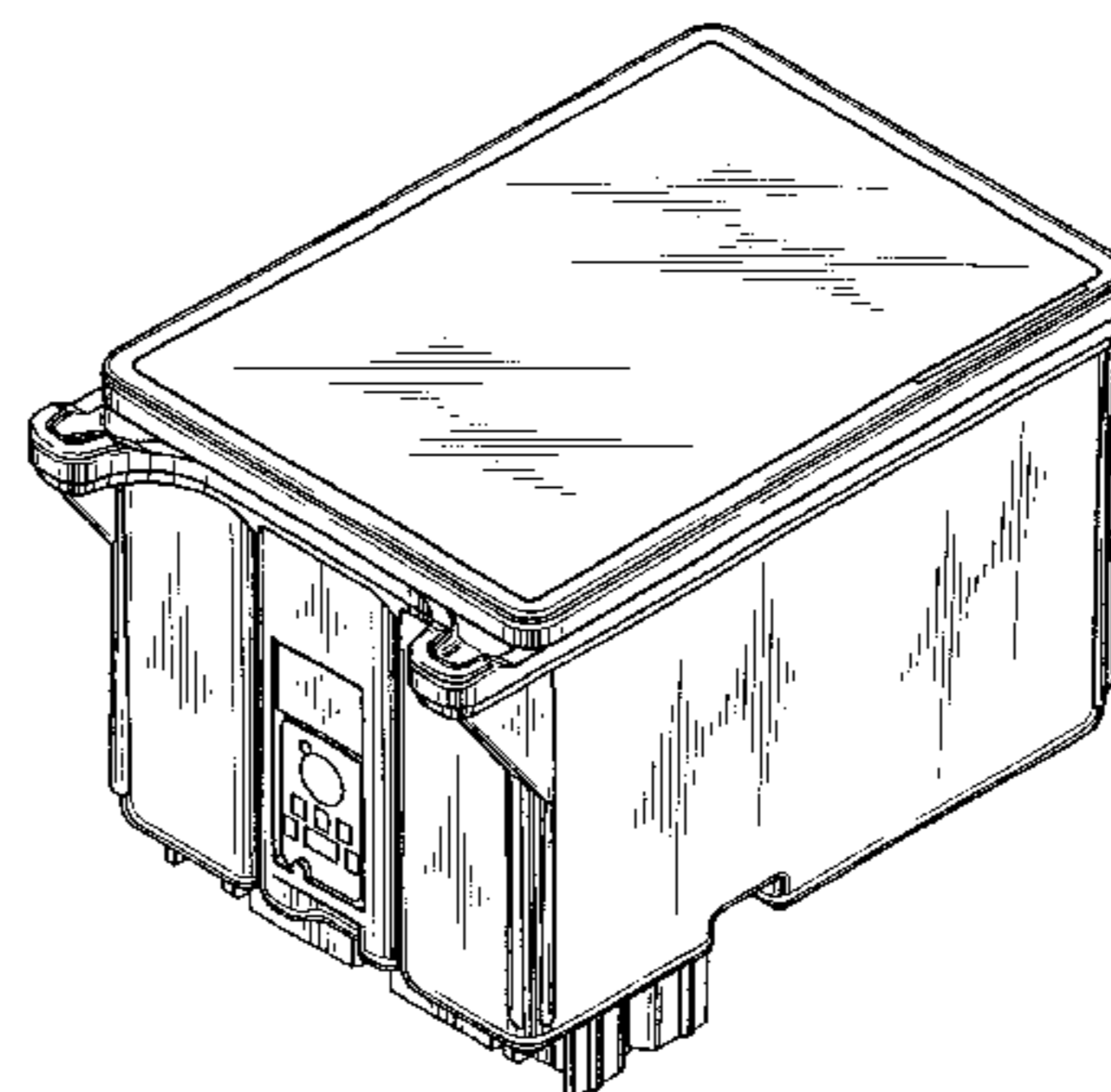
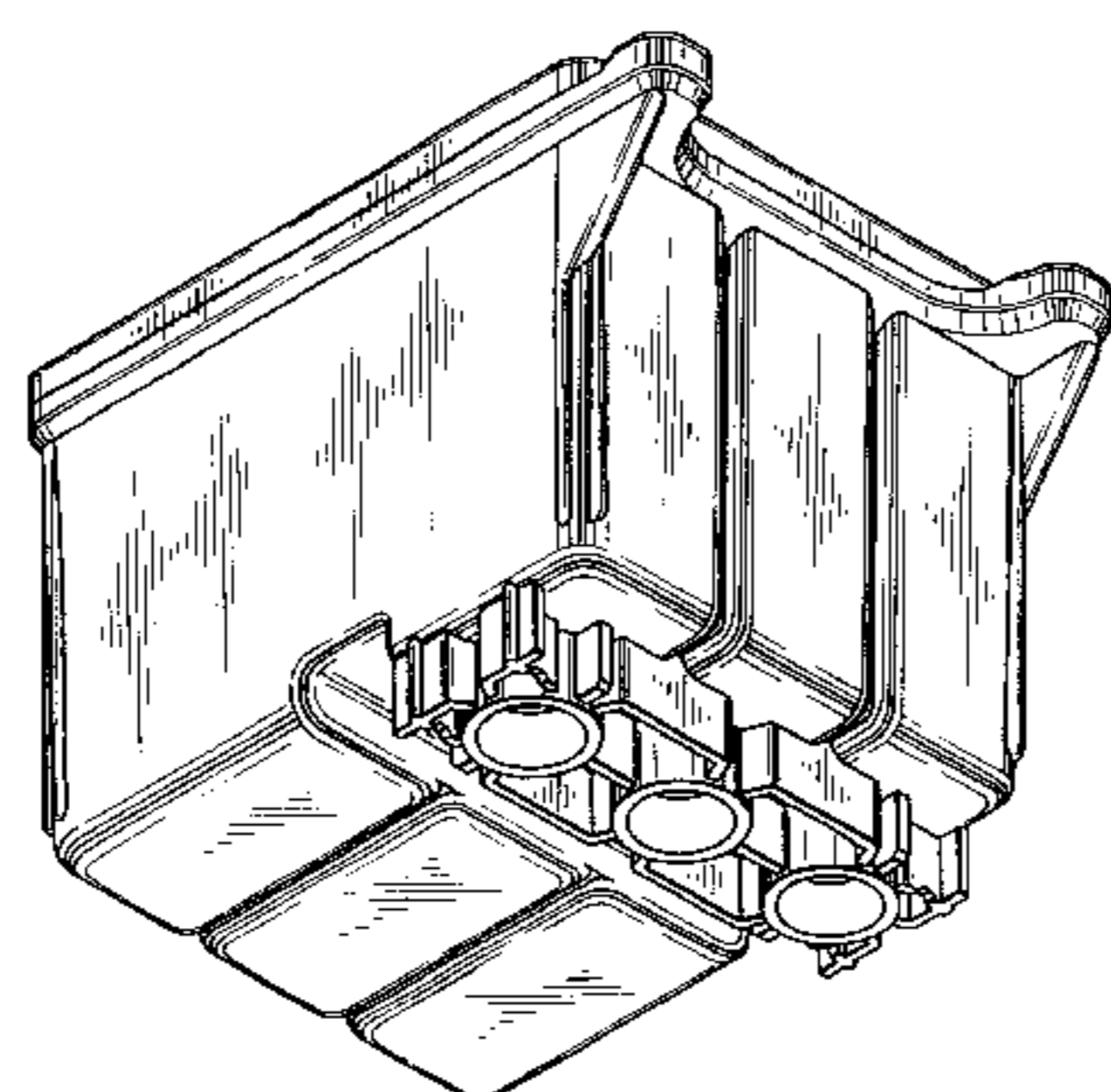
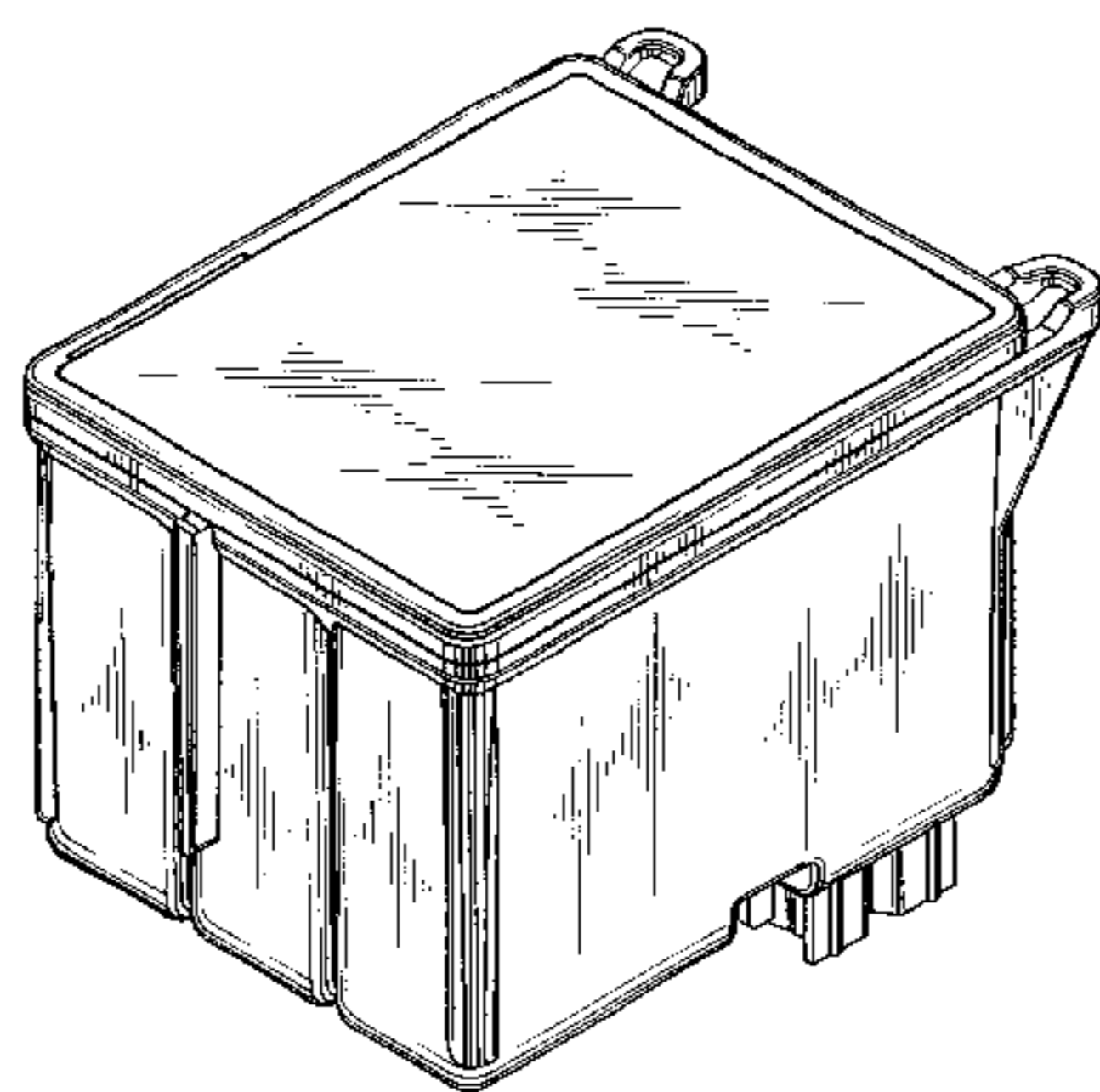
FIG. 10 is a front elevational view thereof;

FIG. 11 is a right side view thereof;

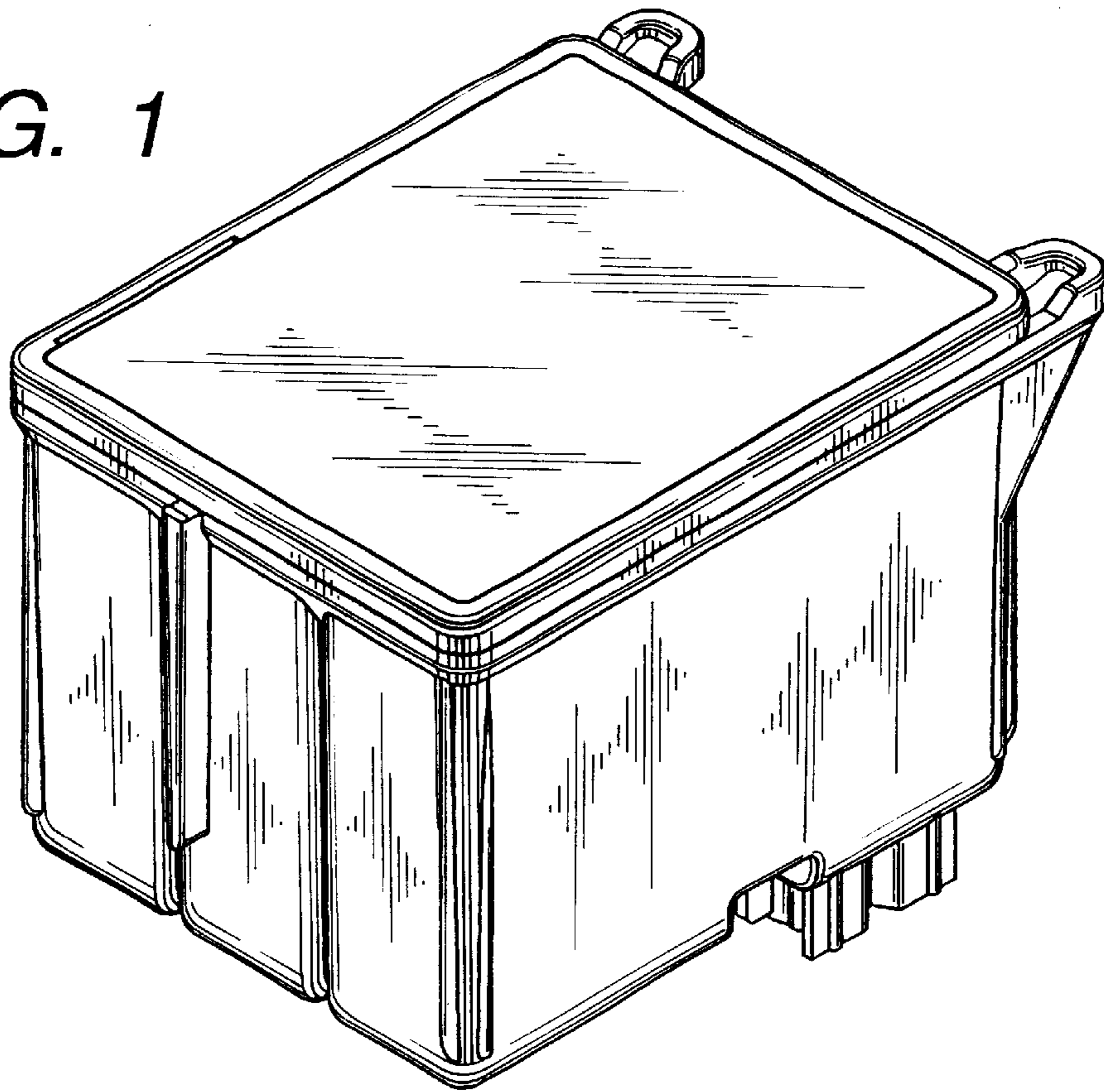
FIG. 12 is a left side view thereof; and,

FIG. 13 is a bottom view thereof.

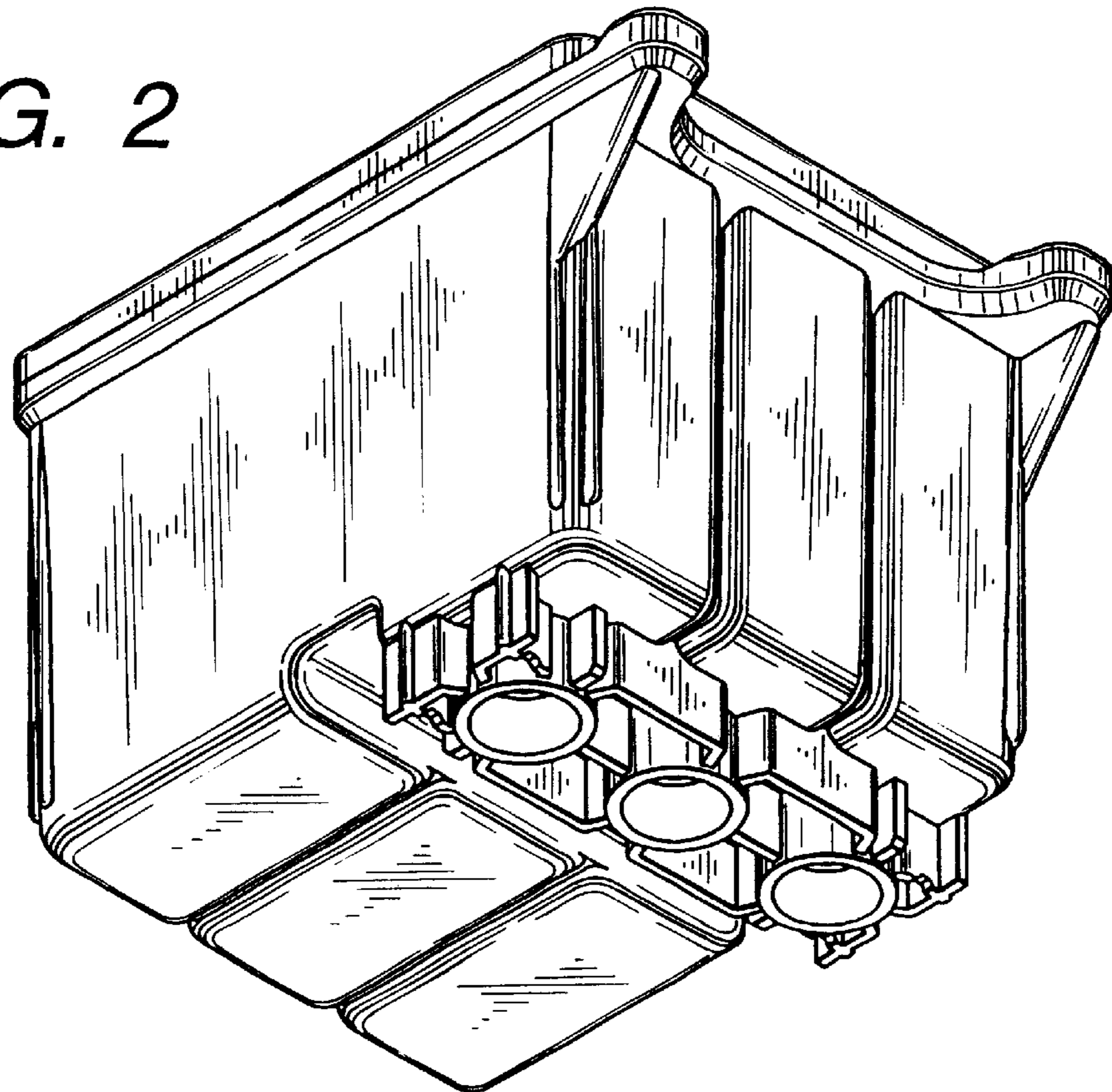
**1 Claim, 7 Drawing Sheets**



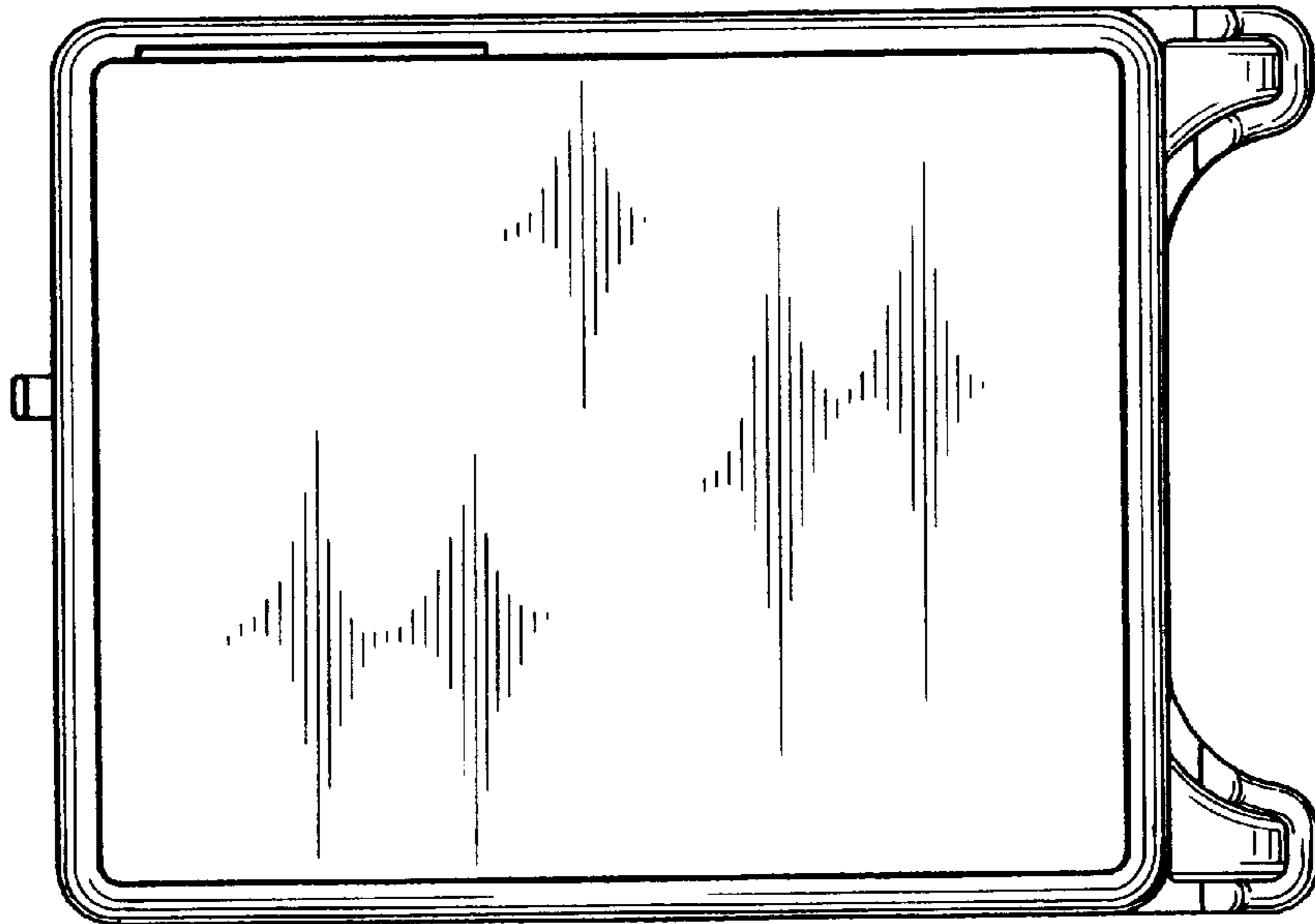
*FIG. 1*



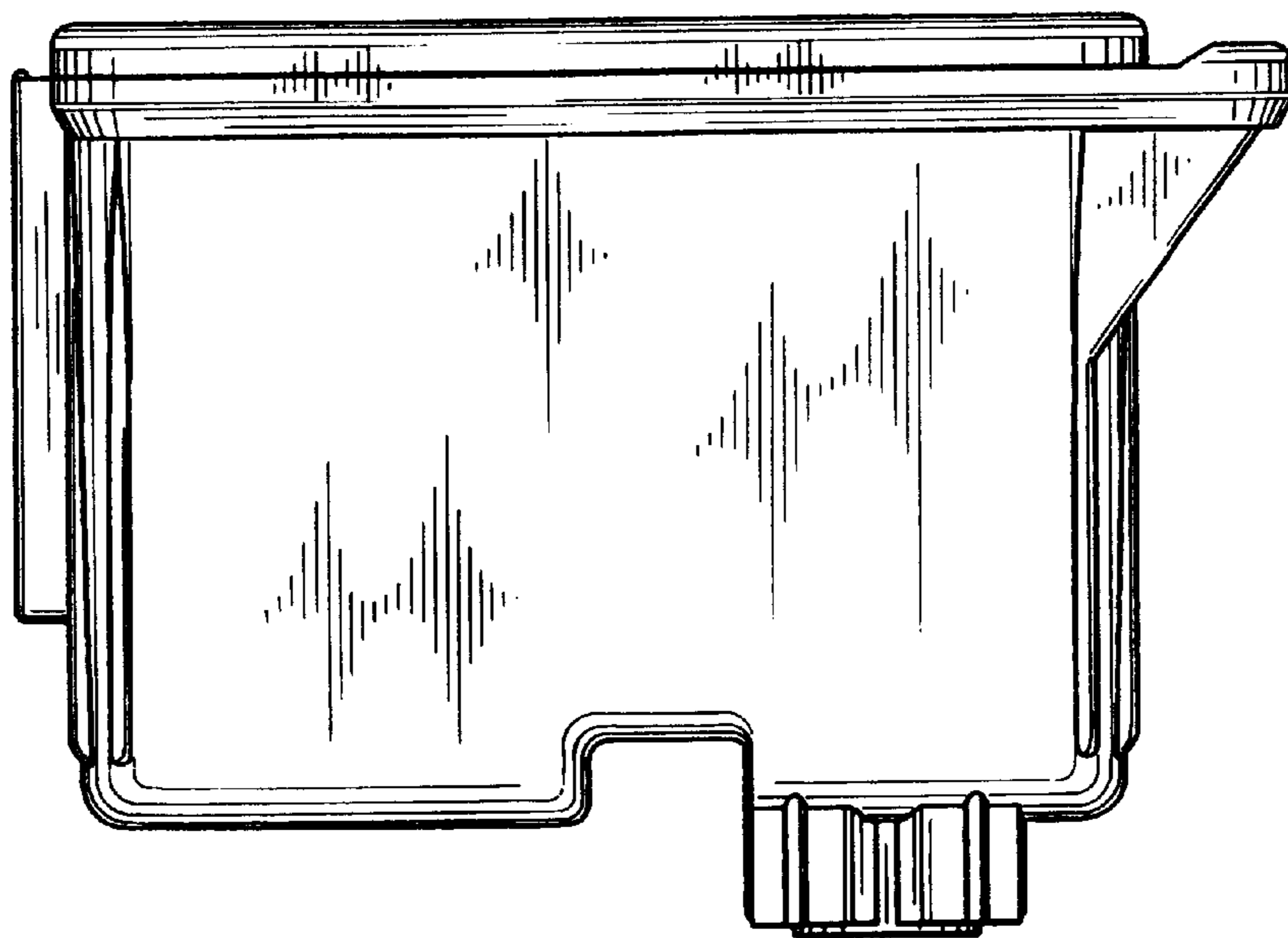
*FIG. 2*



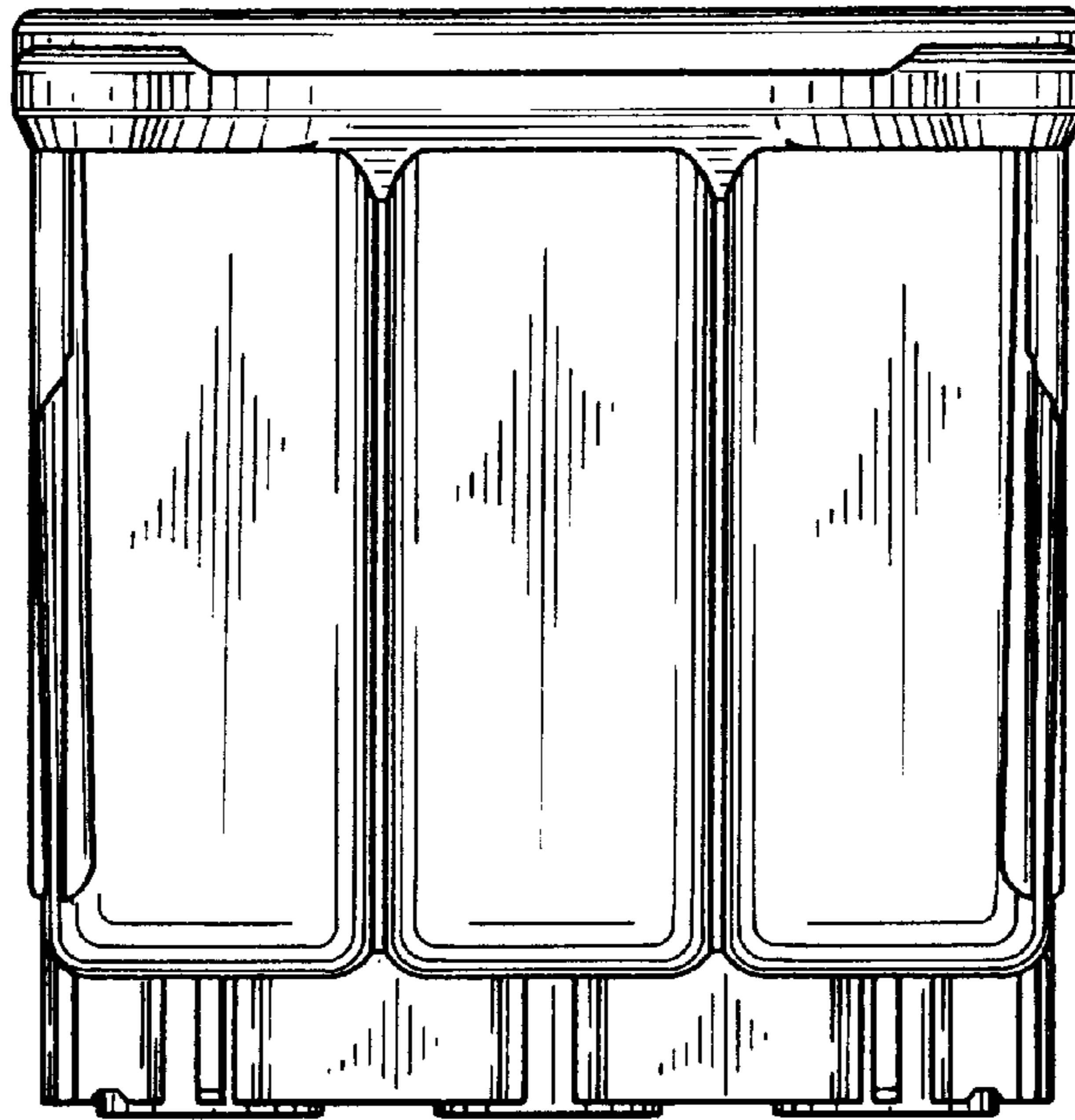
*FIG. 3*



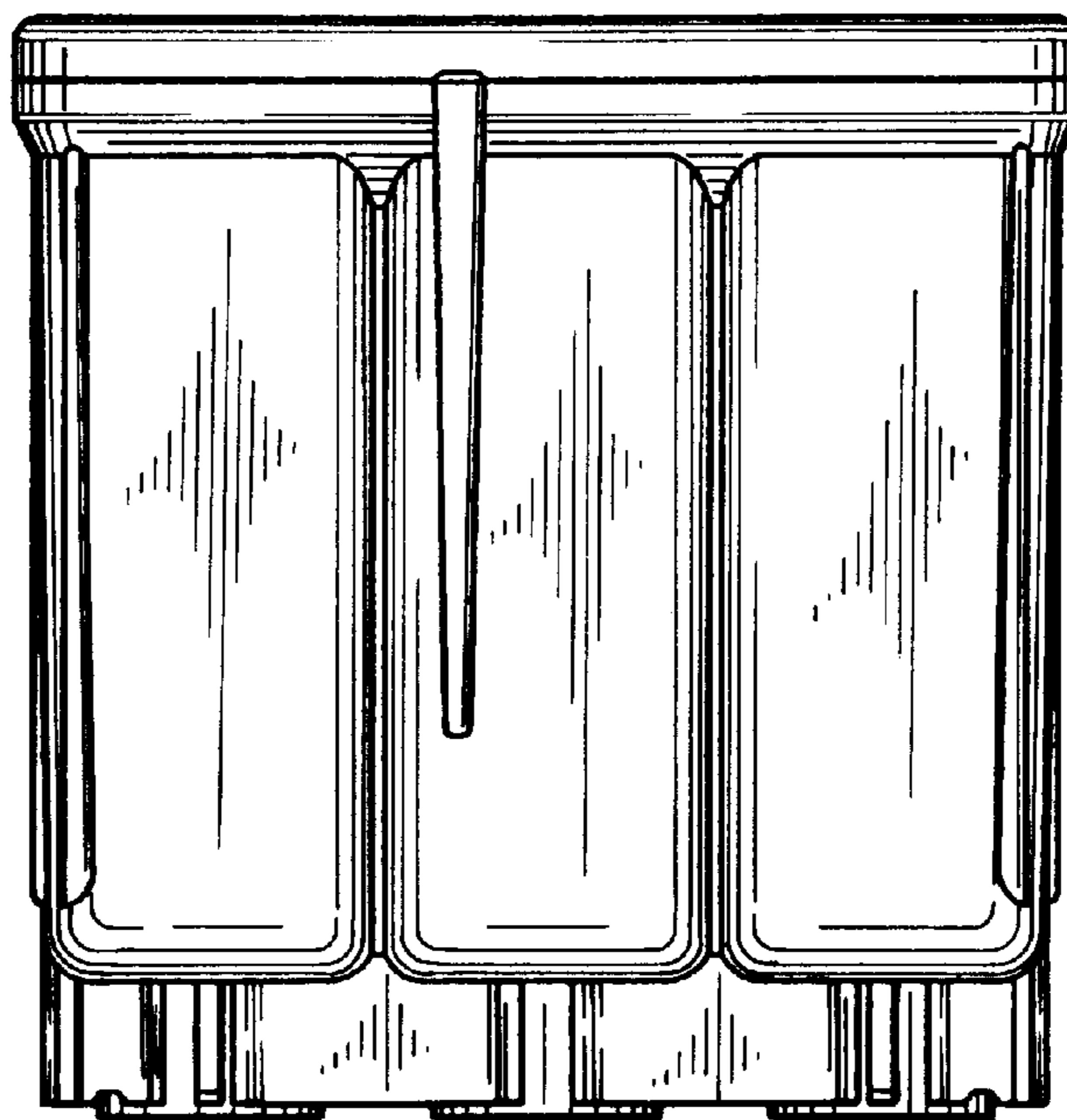
*FIG. 4*



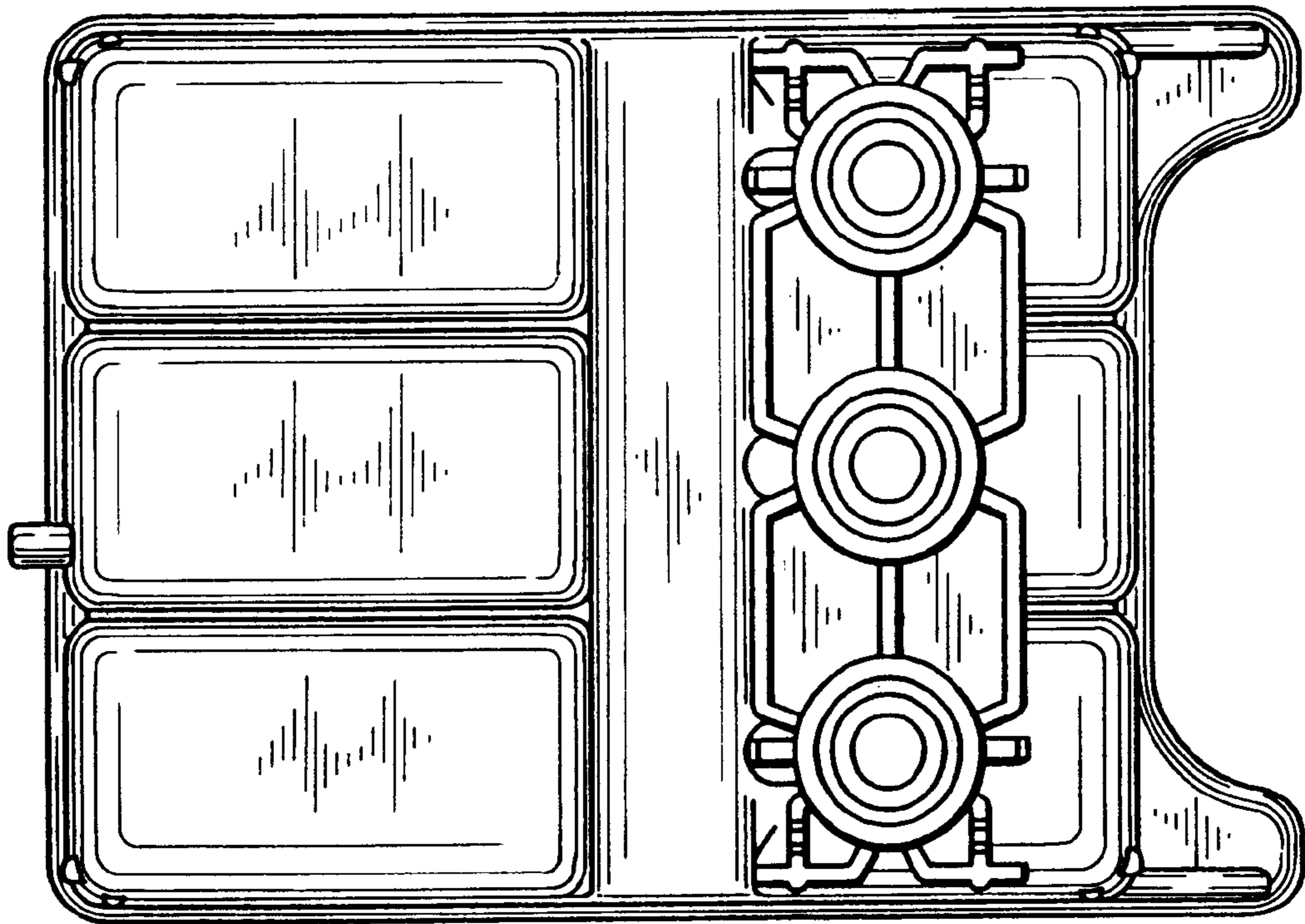
*FIG. 5*



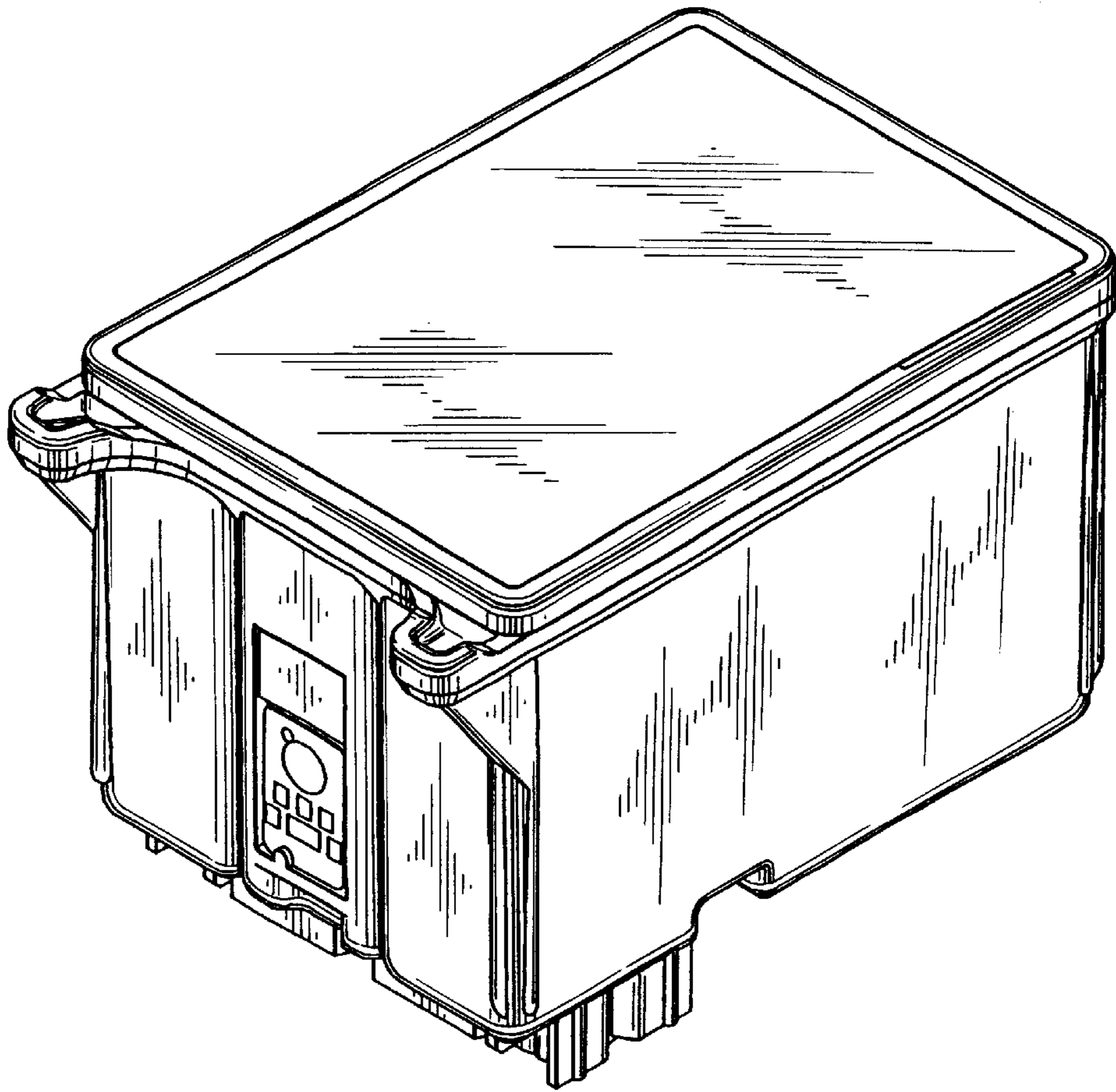
*FIG. 6*



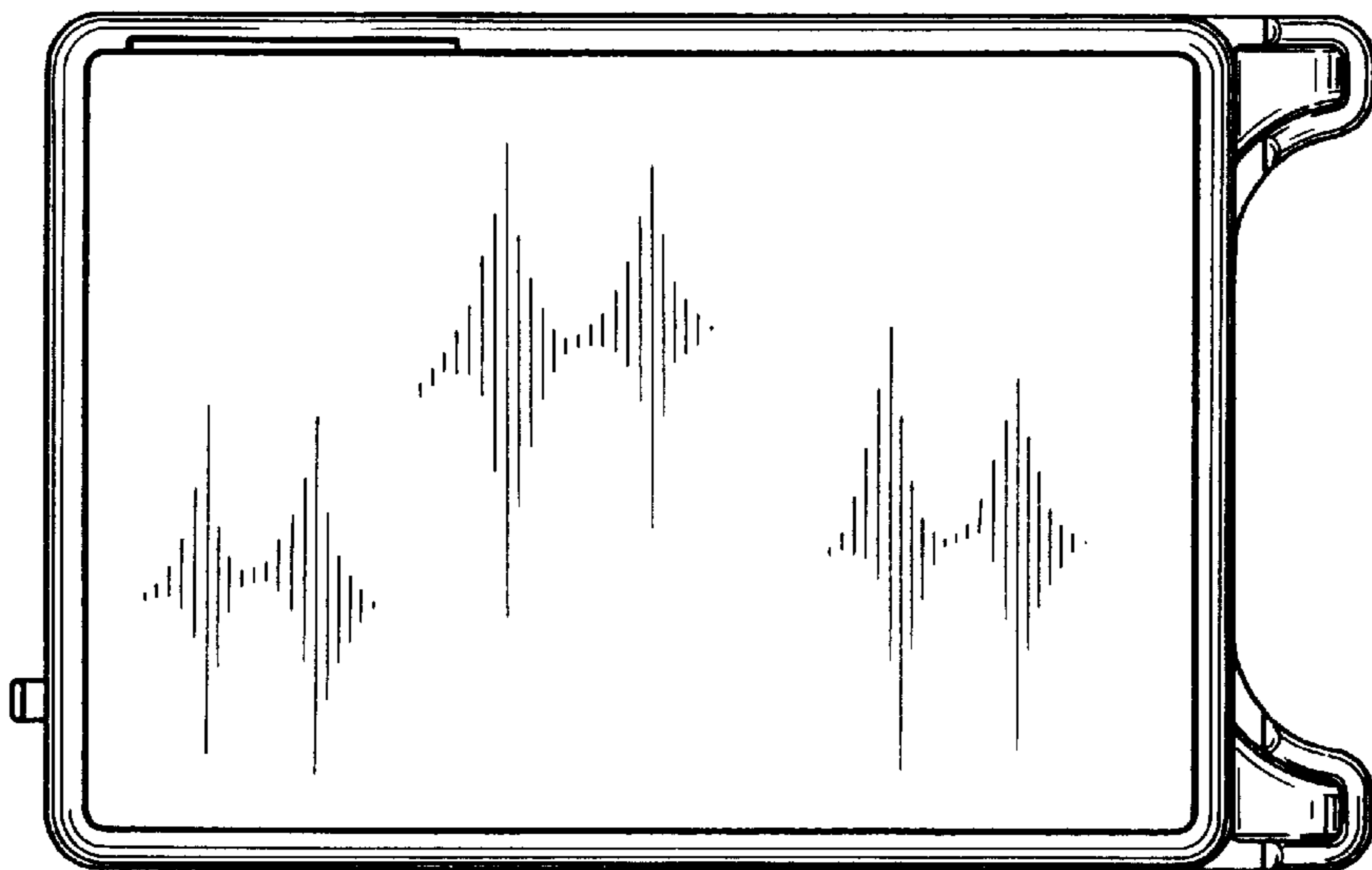
*FIG. 7*



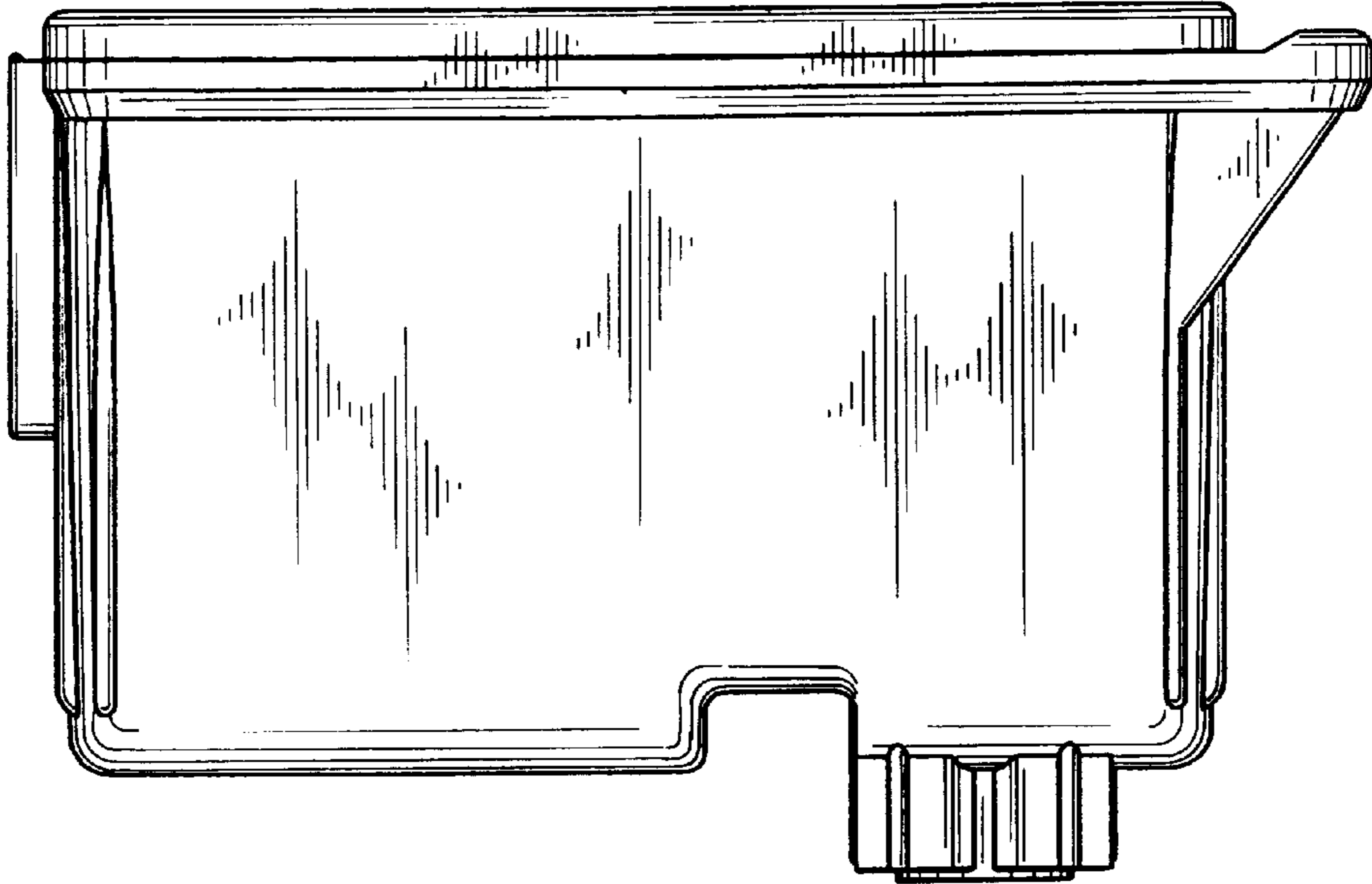
*FIG. 8*



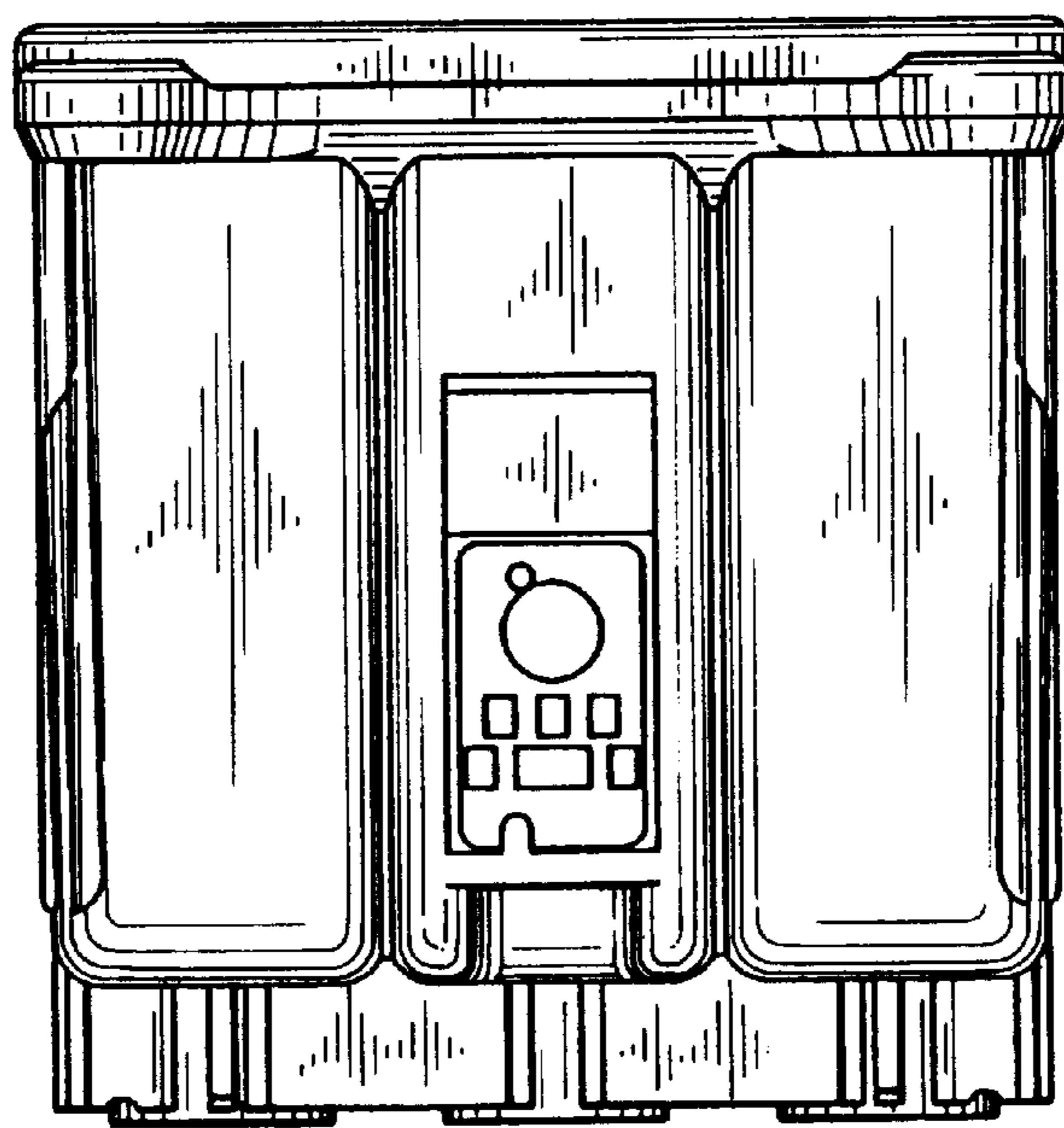
*FIG. 9*



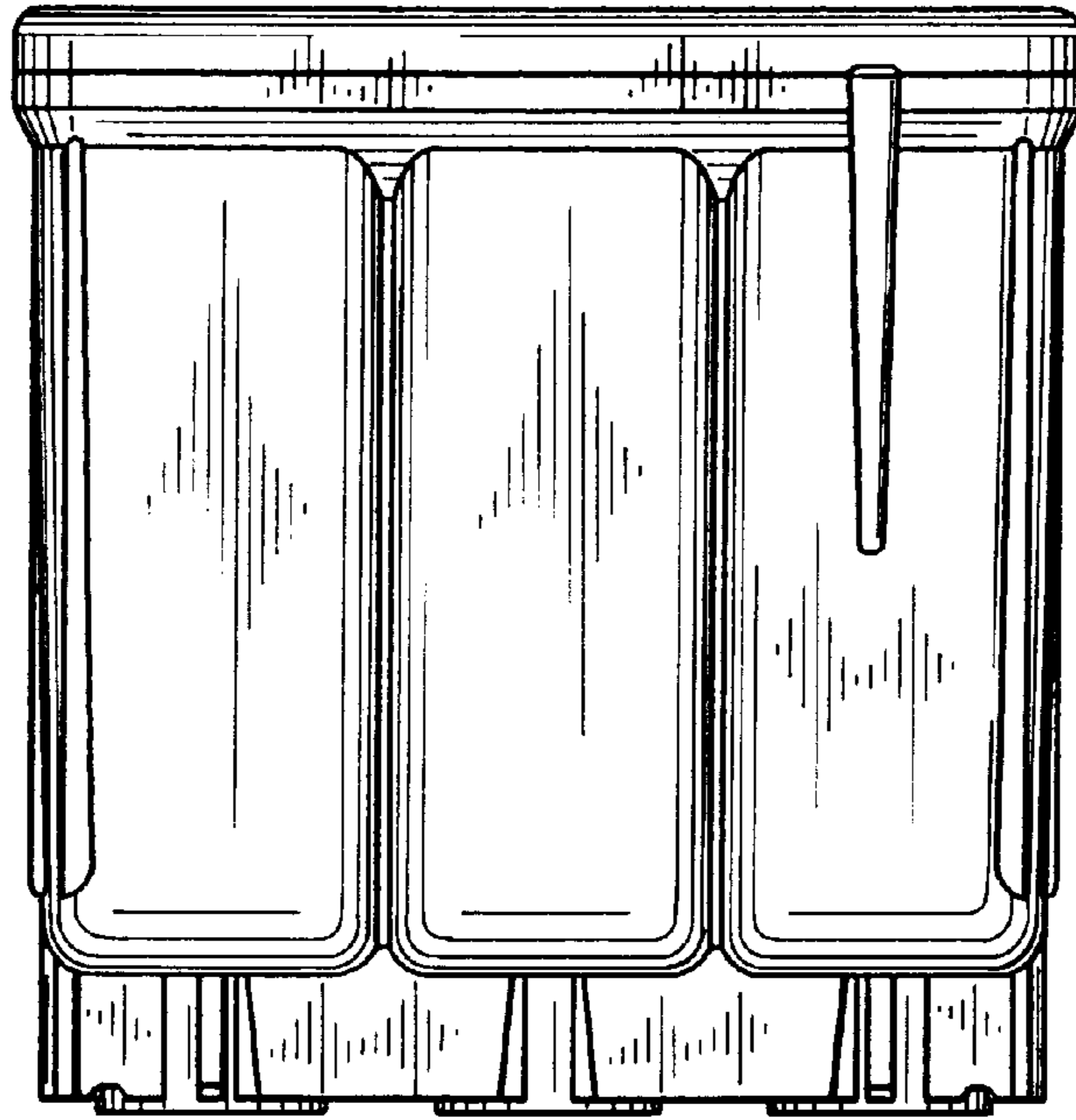
*FIG. 10*



*FIG. 11*



*FIG. 12*



*FIG. 13*

