



US00D455779S

(12) **United States Design Patent**  
**Falk et al.**

(10) **Patent No.:** **US D455,779 S**  
(45) **Date of Patent:** **\*\* Apr. 16, 2002**

(54) **DOCUMENT PRINTER**

(75) Inventors: **Kevin Lloyd Falk**, Boise, ID (US);  
**Carlos Garnier Ortiz**; **Claudia Santillan Figueroa**, both of Jalisco (MX); **Angelo Michael LaBarbera**, Eagle, ID (US)

(73) Assignee: **Hewlett-Packard Company**, Palo Alto, CA (US)

(\*\*) Term: **14 Years**

(21) Appl. No.: **29/141,050**

(22) Filed: **Apr. 27, 2001**

(51) **LOC (7) Cl.** ..... **14-02**

(52) **U.S. Cl.** ..... **D18/53; D18/39**

(58) **Field of Search** ..... **D18/36-39, 53-56; 399/1-7, 81, 130; 355/97**

(56) **References Cited**

**U.S. PATENT DOCUMENTS**

D354,304 S \* 1/1995 Ishibashi et al. .... D18/36

D390,256 S \* 2/1998 Shibata ..... D18/39  
D423,558 S \* 4/2000 Takimura ..... D18/39  
D438,890 S \* 3/2001 Takimura ..... D18/39  
D439,271 S \* 3/2001 Takimura ..... D18/39

\* cited by examiner

*Primary Examiner*—Caron D. Veynar

(57) **CLAIM**

The ornamental design for a document printer, as shown.

**DESCRIPTION**

FIG. 1 is a perspective view of a document printer showing the new design;

FIG. 2 is a top view thereof;

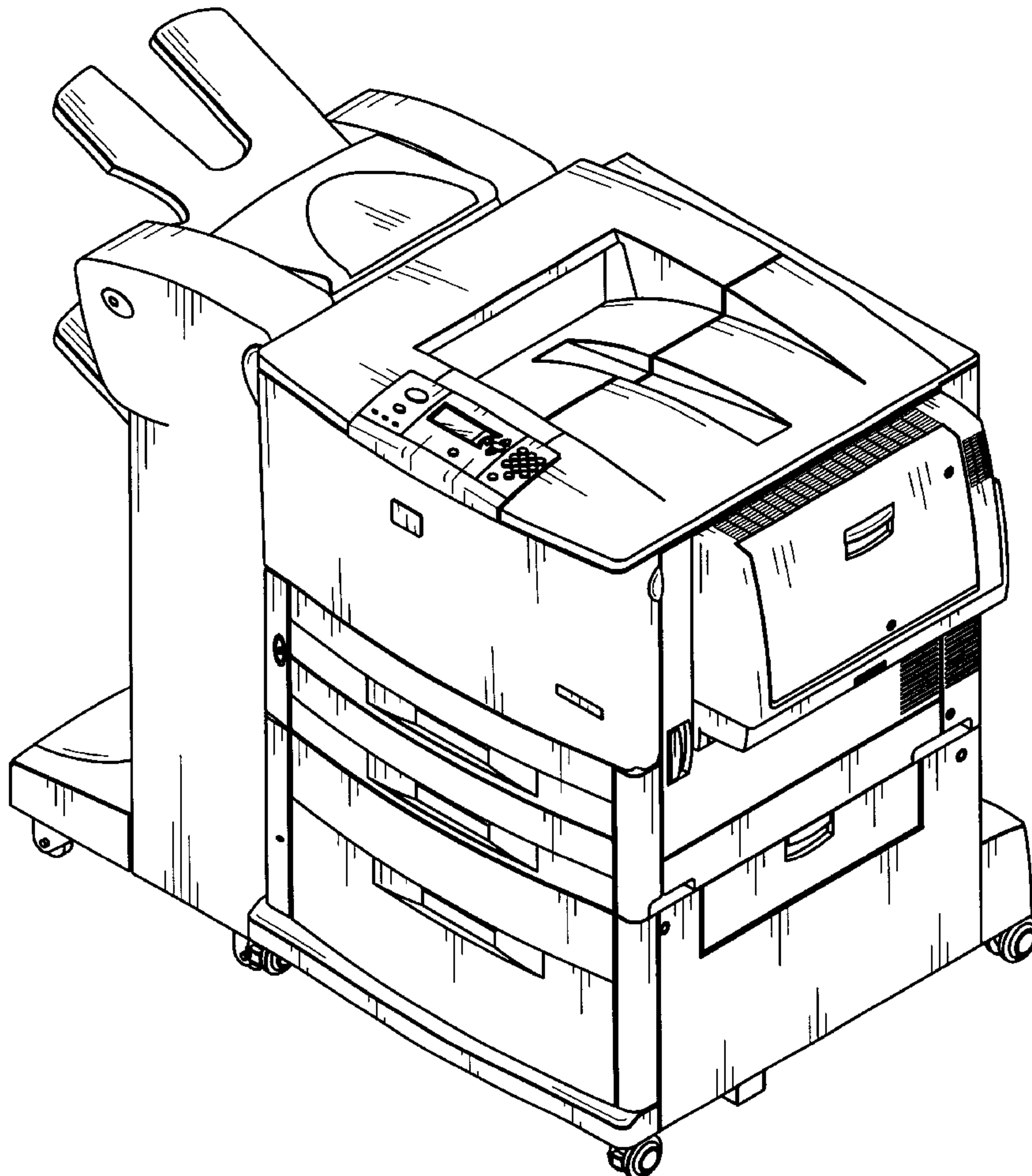
FIG. 3 is a front view thereof;

FIG. 4 is a left side view thereof;

FIG. 5 is a right side view thereof; and,

FIG. 6 is a rear view thereof.

**1 Claim, 6 Drawing Sheets**



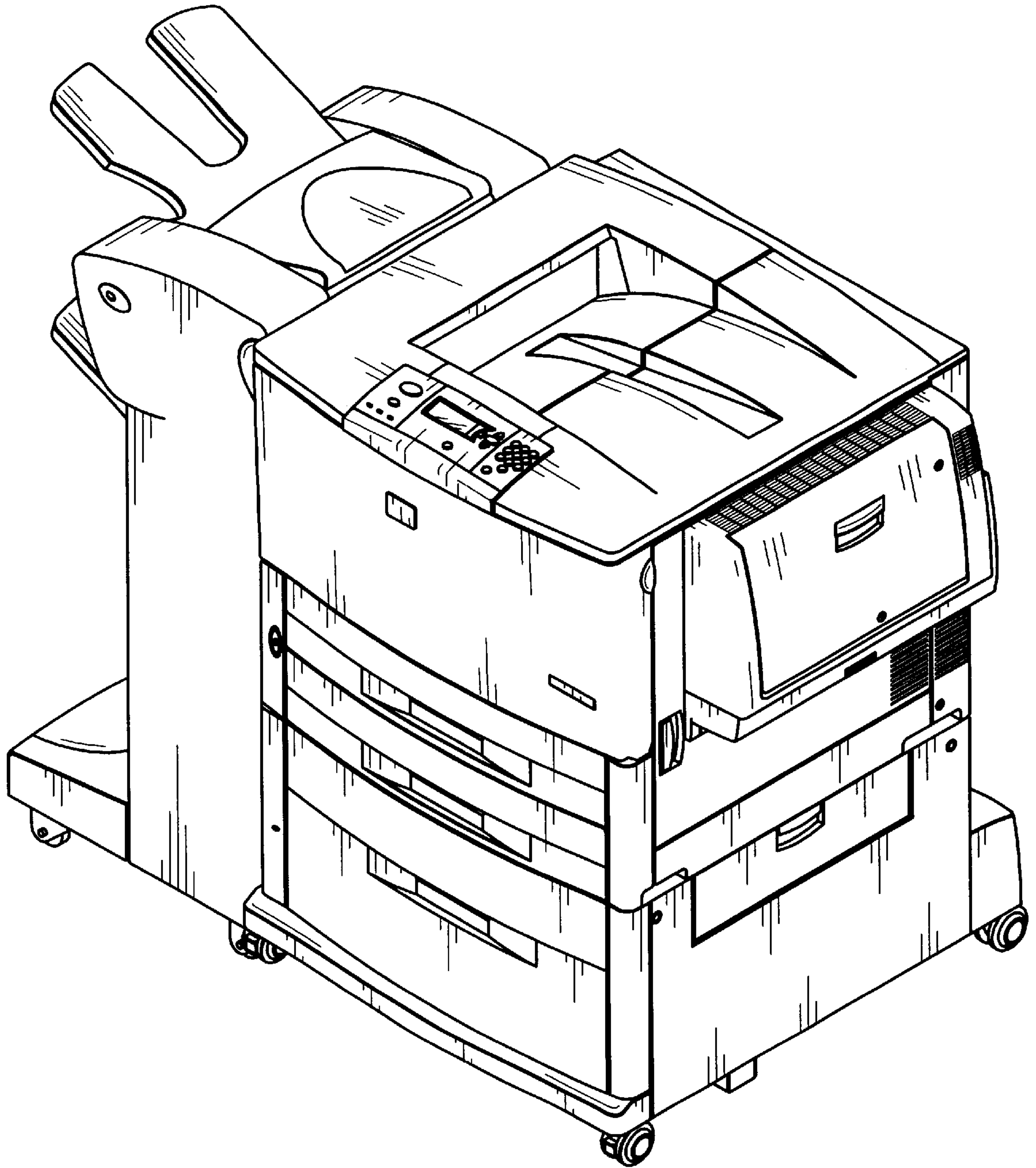


FIG. 1

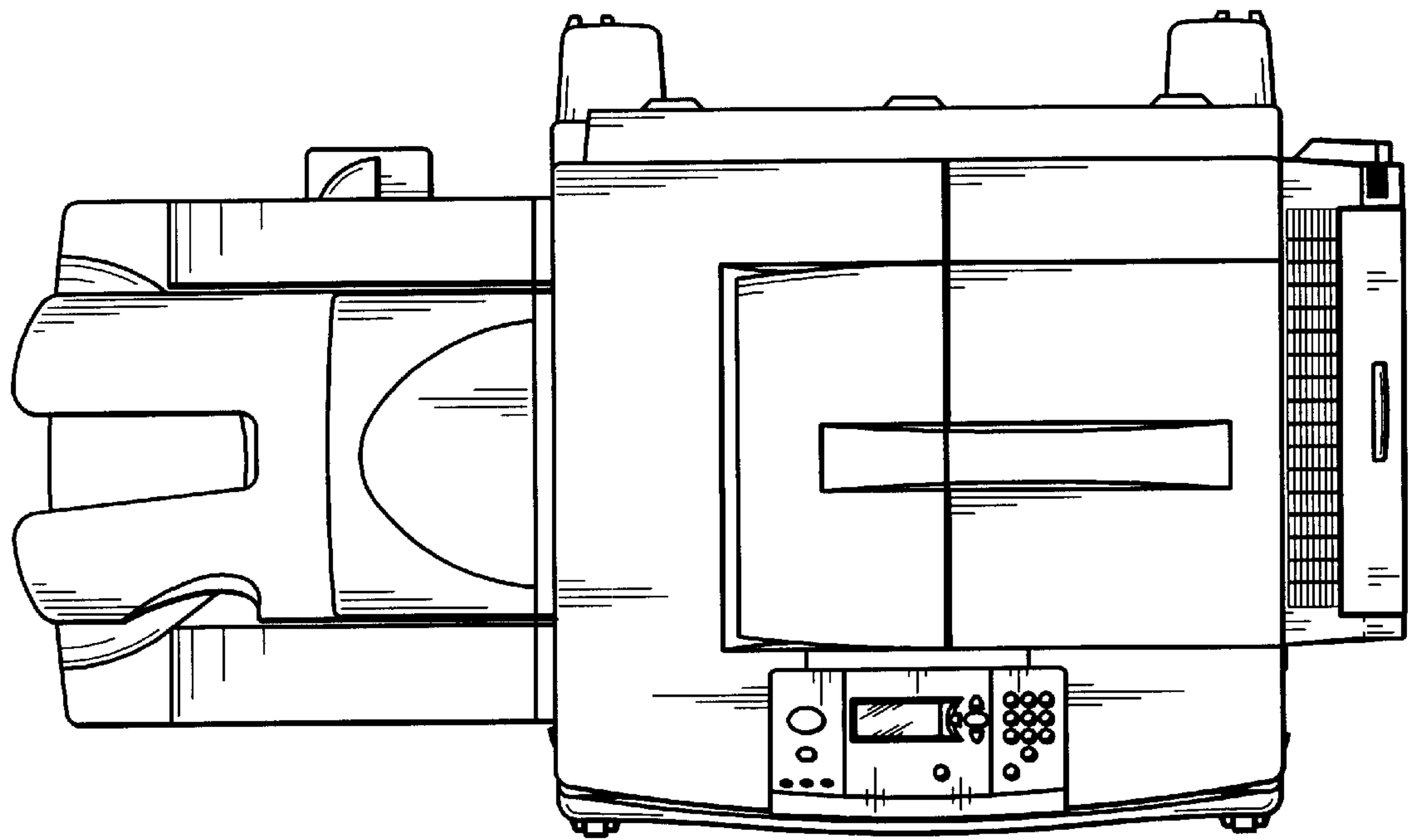


FIG. 2

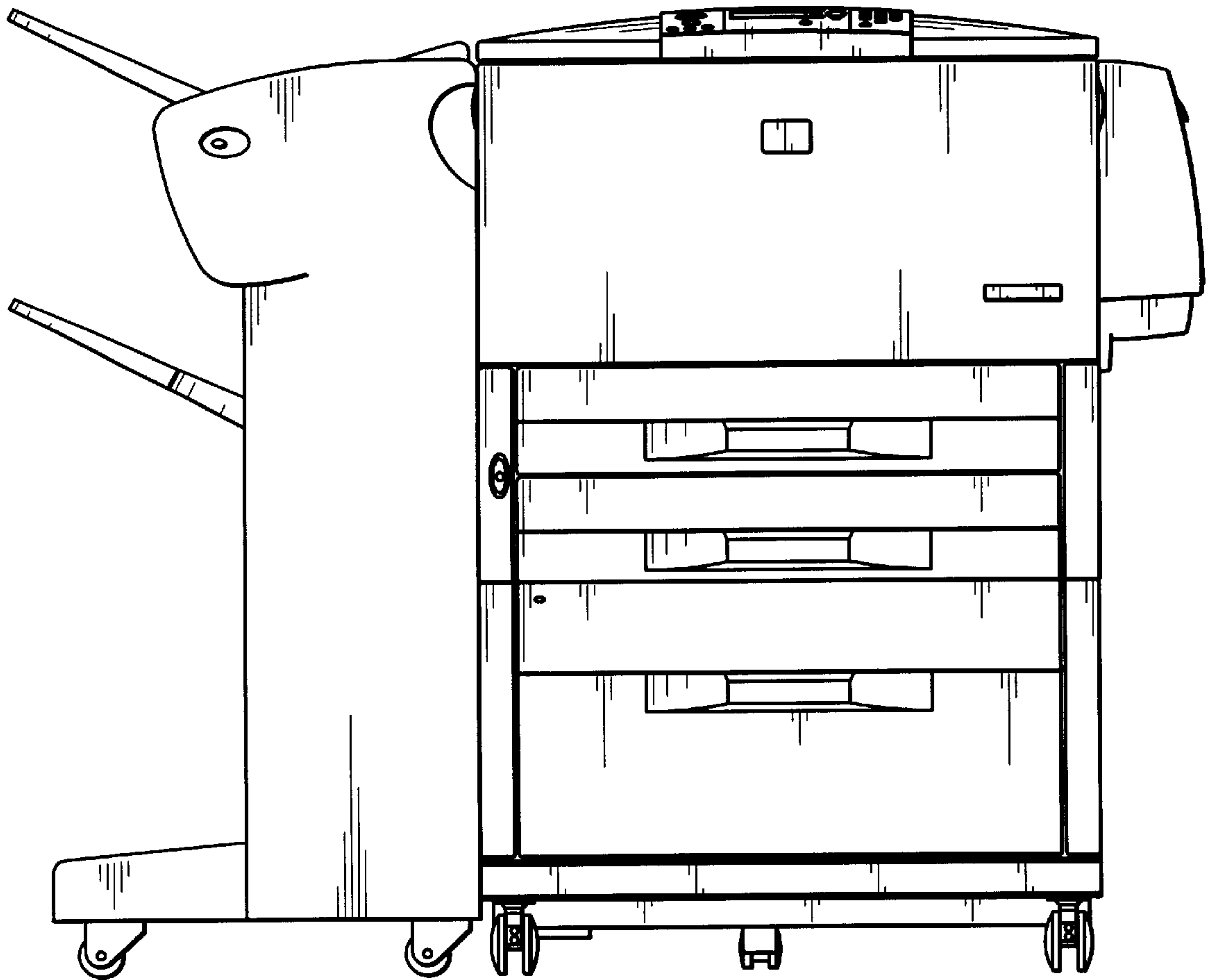


FIG. 3

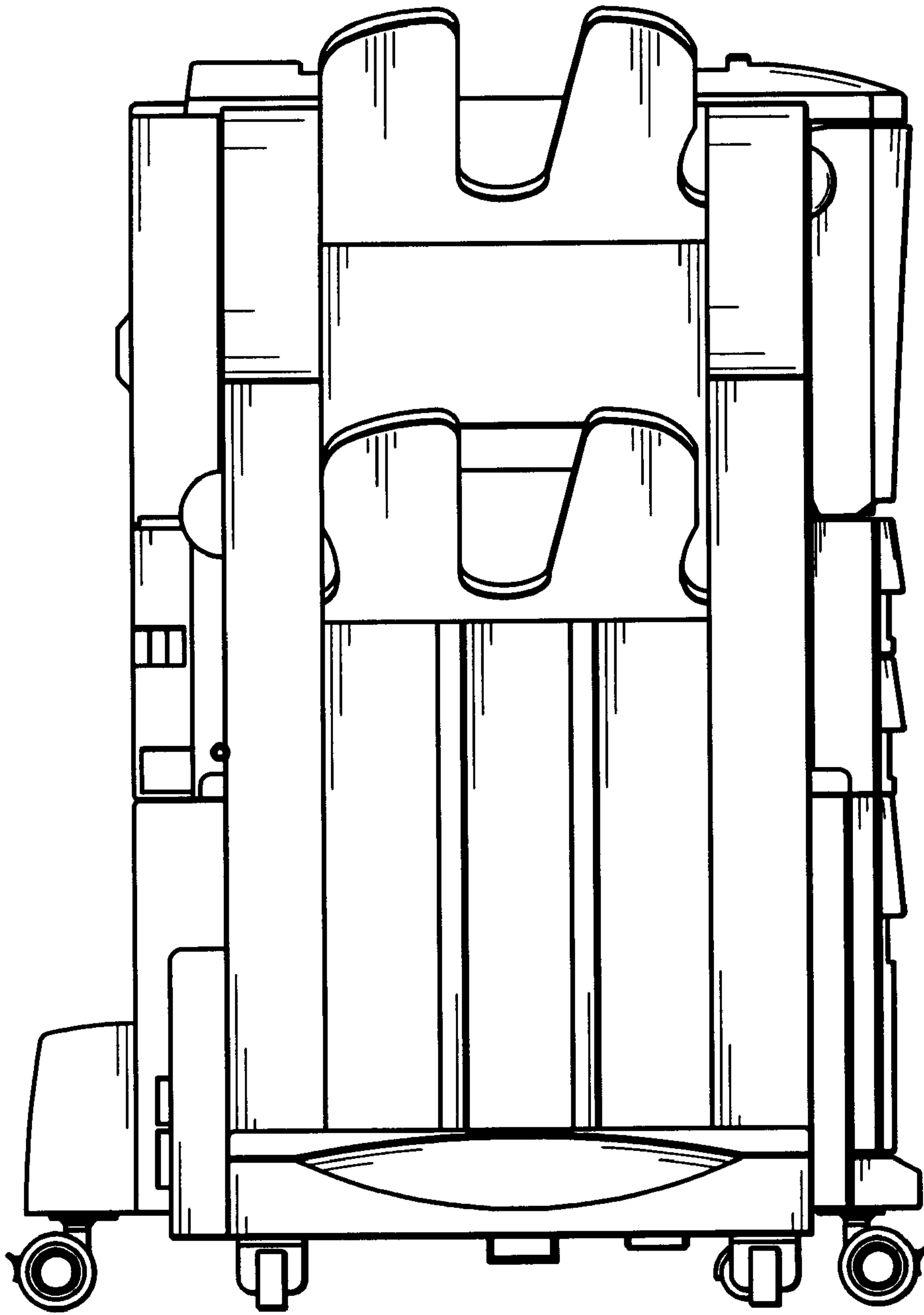


FIG. 4

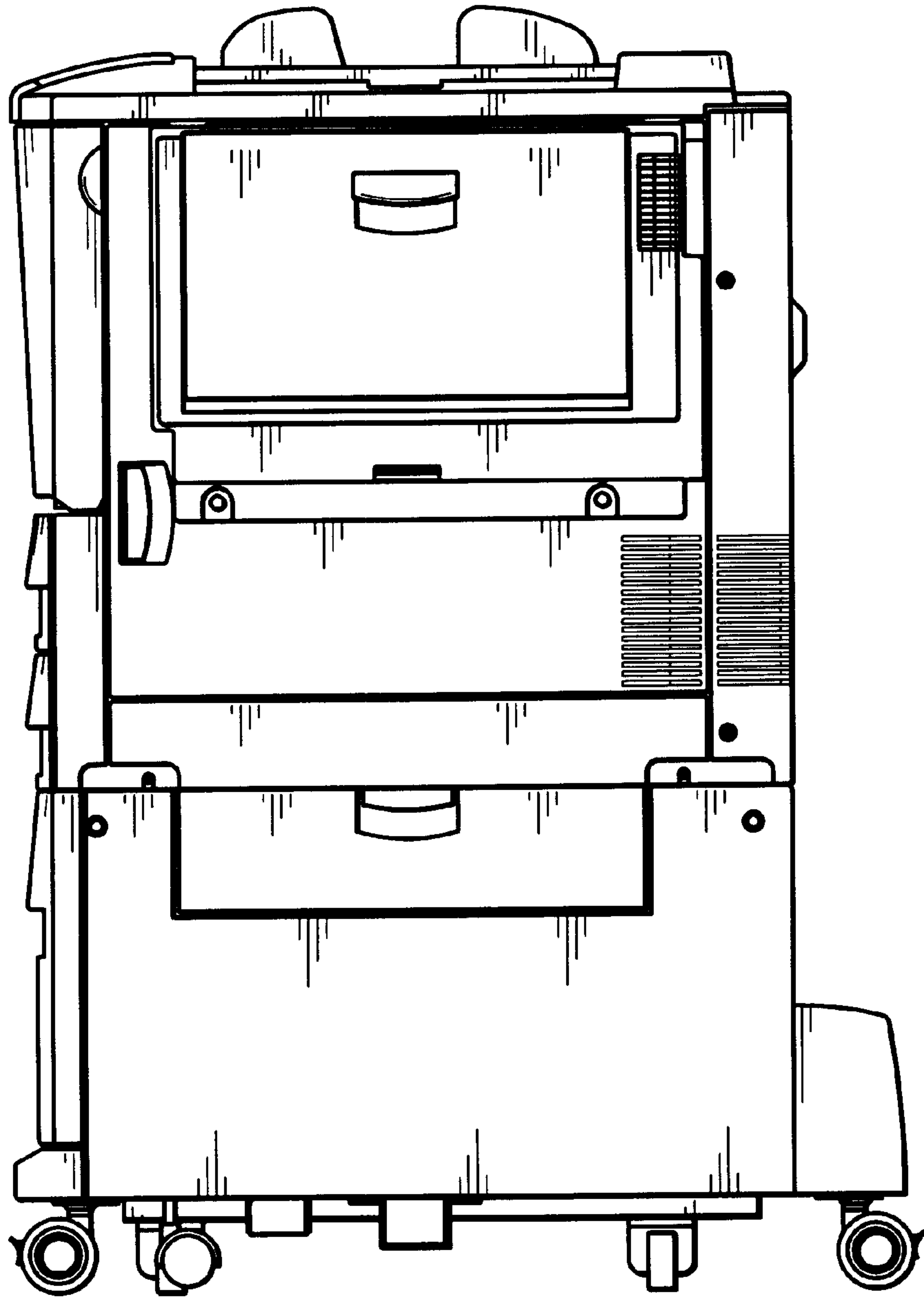


FIG. 5



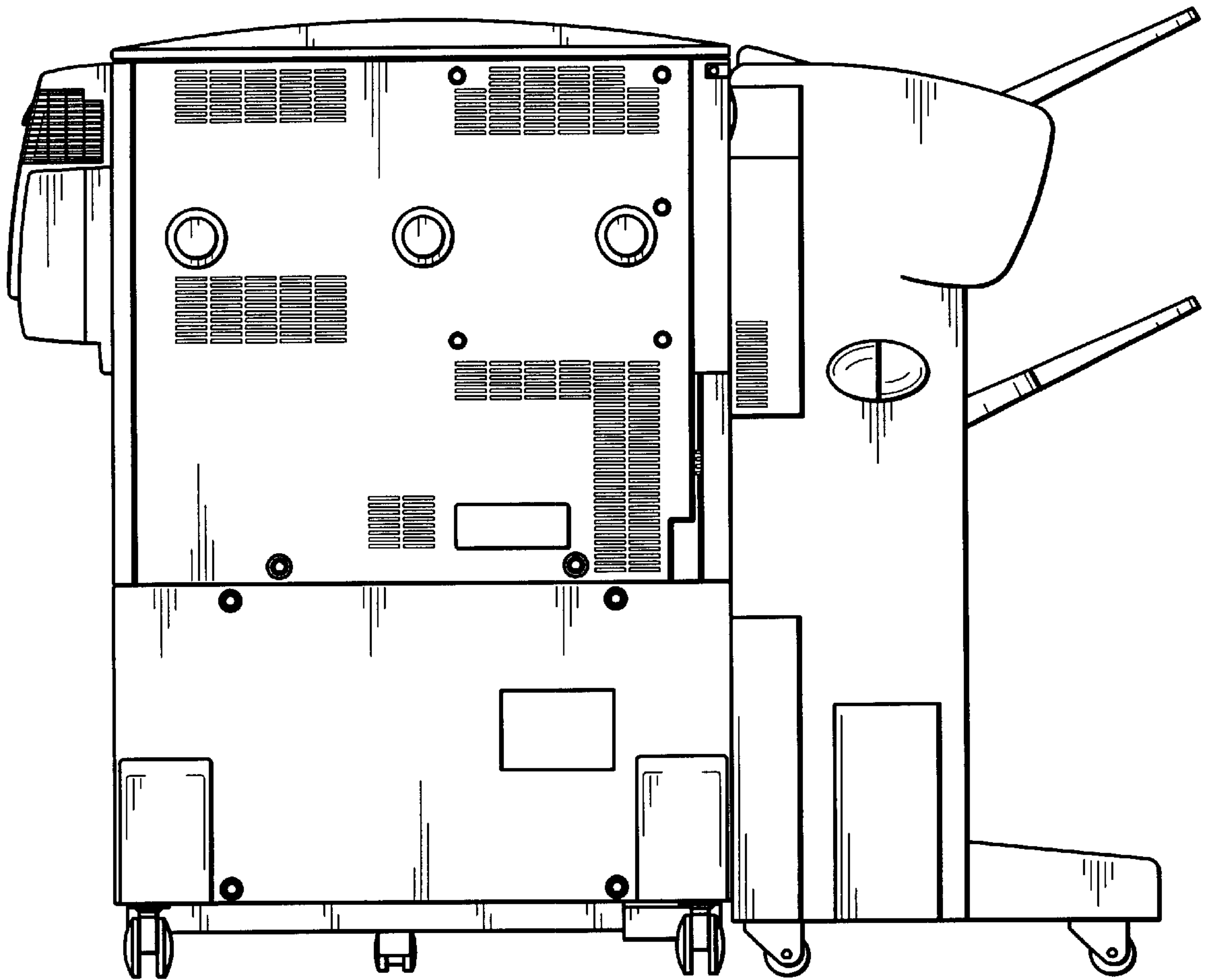


FIG. 6

UNITED STATES PATENT AND TRADEMARK OFFICE  
**CERTIFICATE OF CORRECTION**

PATENT NO. : Des. 455,779 S  
DATED : April 16, 2002  
INVENTOR(S) : Falk et al.

Page 1 of 1

It is certified that error appears in the above-identified patent and that said Letters Patent is hereby corrected as shown below:

Title page,

After the Item [57] claim and before Description it should read -- We, Kevin Lloyd Falk, Carlos Garnier Ortiz, Claudia Santillan Figueroa, and Angelo Michael LaBarbera have invented a new, original, and ornamental design for a DOCUMENT PRINTER as shown --.

Signed and Sealed this

Fifteenth Day of April, 2003

A handwritten signature in black ink, appearing to read "James E. Rogan", written over a horizontal line.

JAMES E. ROGAN  
*Director of the United States Patent and Trademark Office*