



US00D455775S

(12) **United States Design Patent**
Fukuoka et al.

(10) **Patent No.:** **US D455,775 S**

(45) **Date of Patent:** **** Apr. 16, 2002**

(54) **ELECTRONIC HIGH-HAT CYMBAL**

6,177,621 B1 * 1/2001 Hoshino 84/422.3

(75) Inventors: **Akihiko Fukuoka**, Tenryu; **Hiroyuki Yanase**, Sizoka, both of (JP)

* cited by examiner

Primary Examiner—Adir Aronovich

(73) Assignee: **Roland Corporation**, Osaka (JP)

(74) *Attorney, Agent, or Firm*—Foley & Lardner

(**) Term: **14 Years**

(57) **CLAIM**

(21) Appl. No.: **29/135,681**

The ornamental design for an electronic high-hat cymbal, as shown and described.

(22) Filed: **Jan. 17, 2001**

DESCRIPTION

(51) **LOC (7) Cl.** **17-04**

FIG. 1 is a perspective, bottom view of an electronic high hat cymbal.

(52) **U.S. Cl.** **D17/22; 84/738; 84/DIG. 12**

FIG. 2 is a side view of the electronic high hat cymbal.

(58) **Field of Search** **D17/22; 84/422.3,**

FIG. 3 is a top view of the electronic high hat cymbal.

84/723-743, 402, DIG. 12

FIG. 4 is a side view opposite of the side view of FIG. 2, of the electronic high hat cymbal.

(56) **References Cited**

FIG. 5 is a bottom view of an electronic high-hat cymbal.

U.S. PATENT DOCUMENTS

FIG. 6 is a further side view of the electronic high hat cymbal; and,

3,141,370 A * 7/1964 Ross 84/402

FIG. 7 is yet a further side view of the electronic high hat cymbal.

D226,983 S * 5/1973 Grauso et al. D17/22

The broken lines in the drawings are shown for illustrative purposes only and form no part of the claimed design.

4,114,502 A * 9/1978 Zildjian 84/402

4,320,687 A * 3/1982 Kidwell 84/402

D301,893 S * 6/1989 Hargrove D17/22

5,915,289 A * 6/1999 Hart 84/738

5,965,834 A 10/1999 Suenaga et al. 84/422.3

5,969,281 A 10/1999 Suenaga 84/421

1 Claim, 2 Drawing Sheets

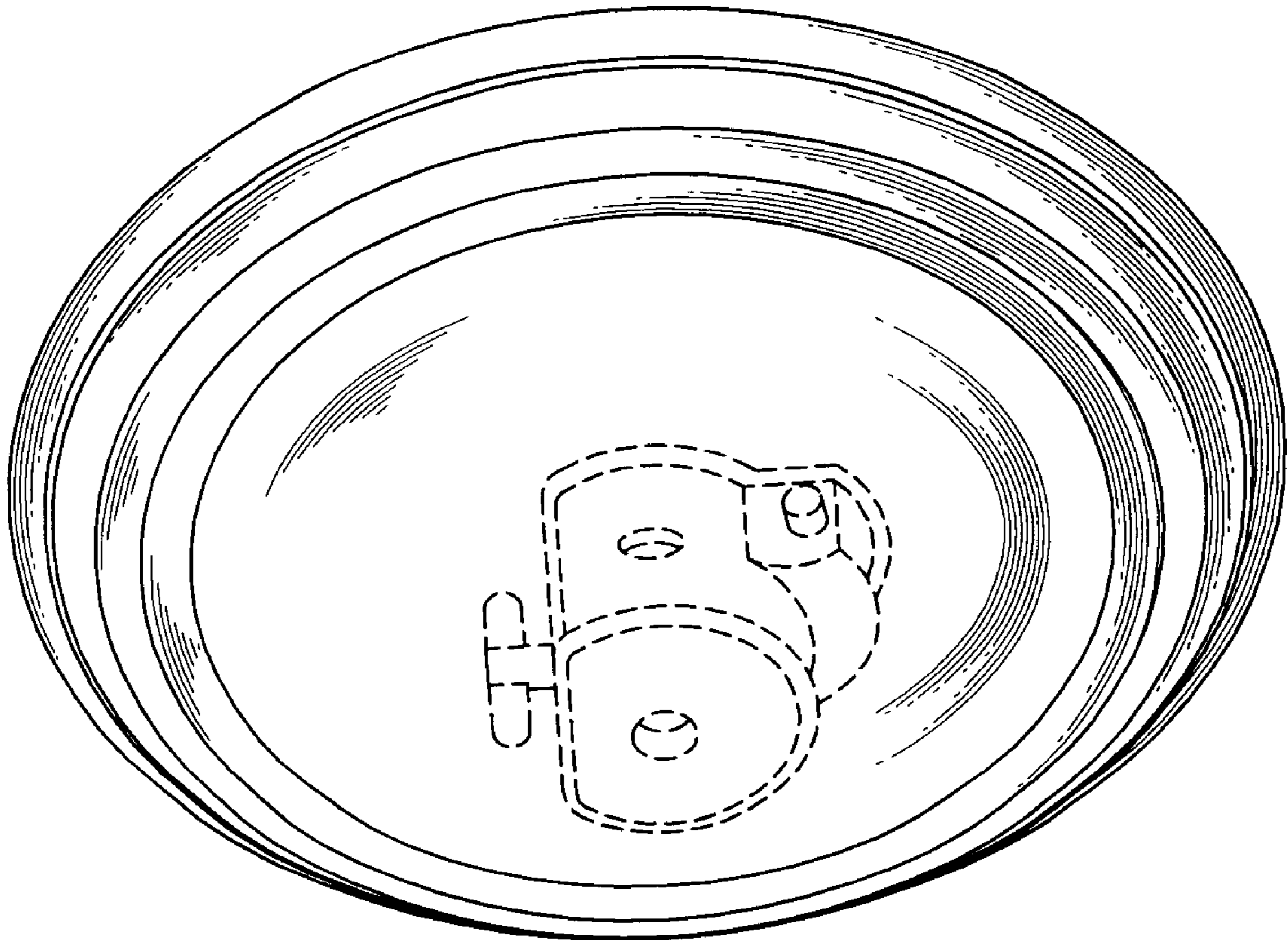


FIG. 1

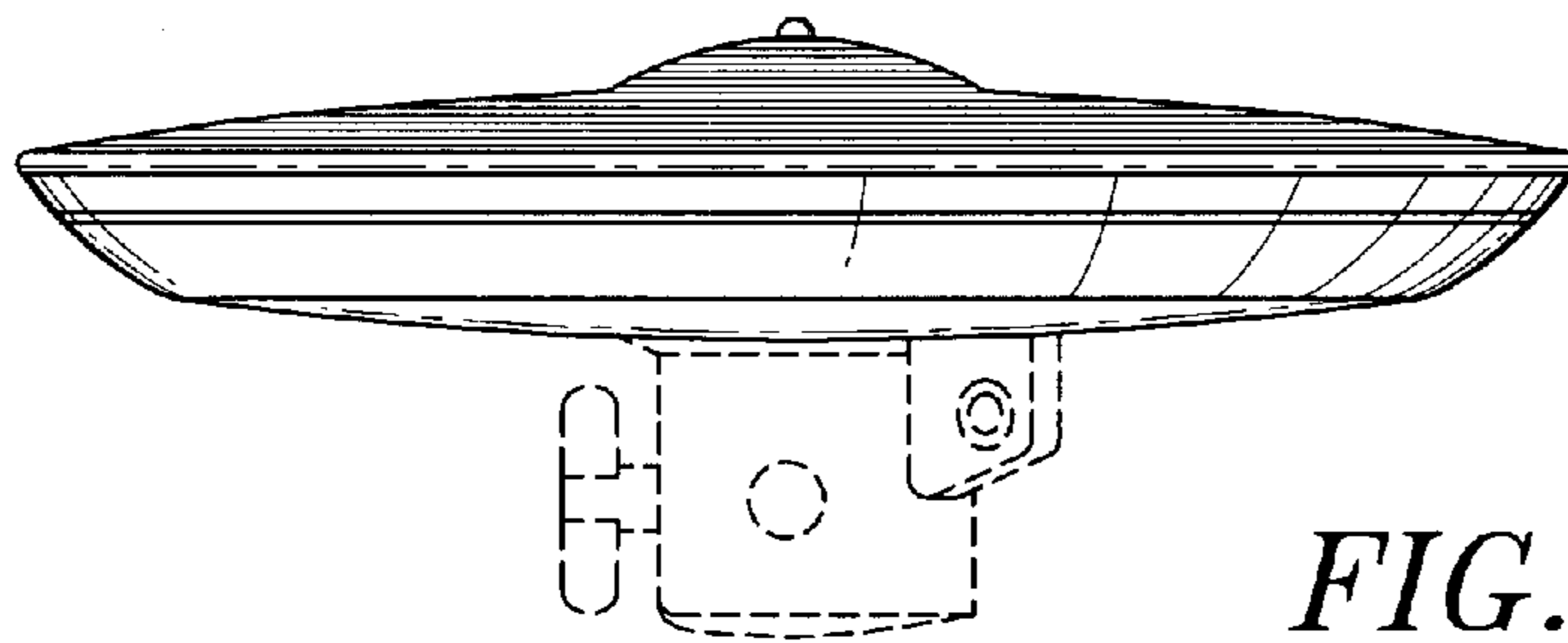
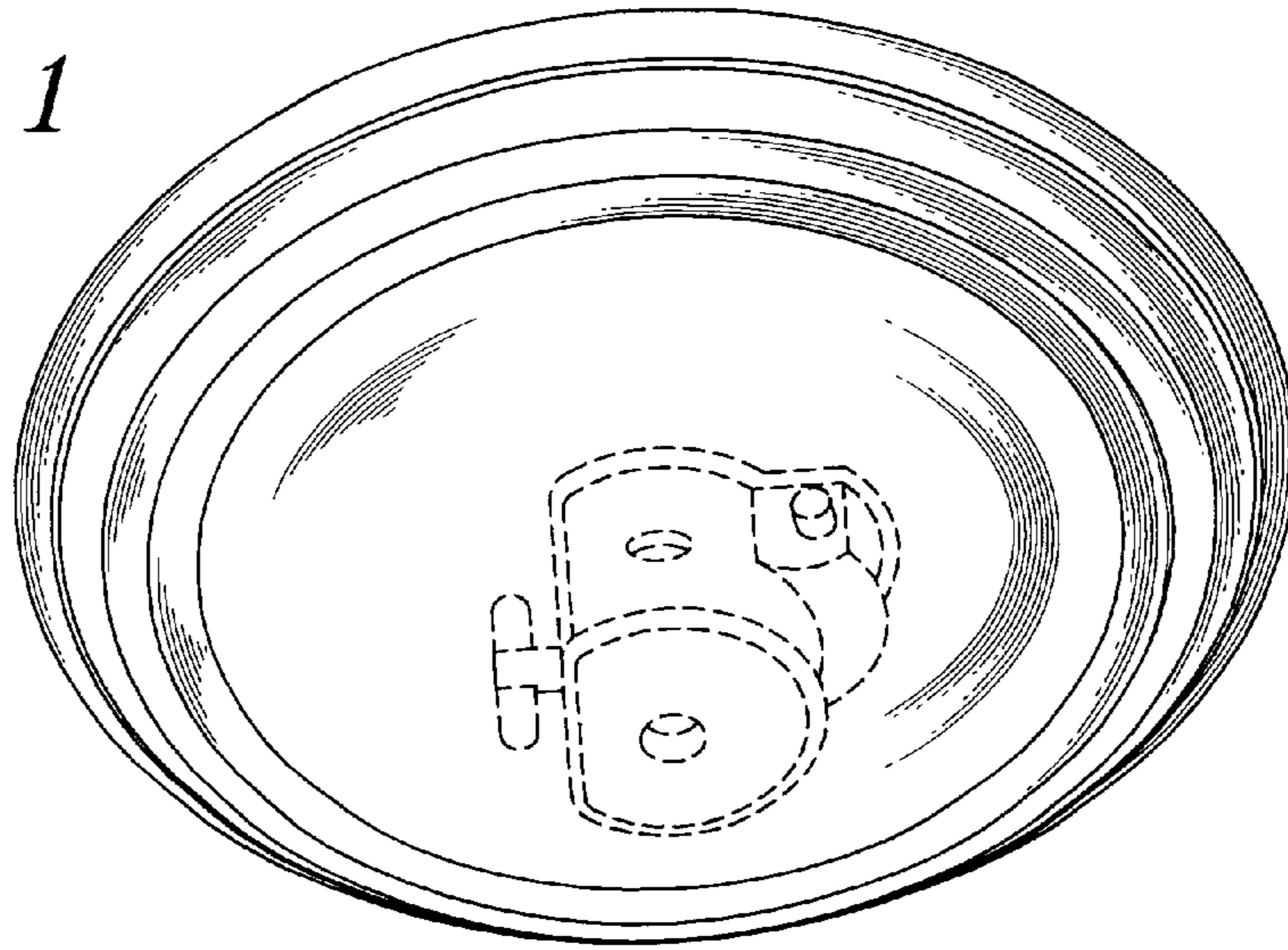


FIG. 2

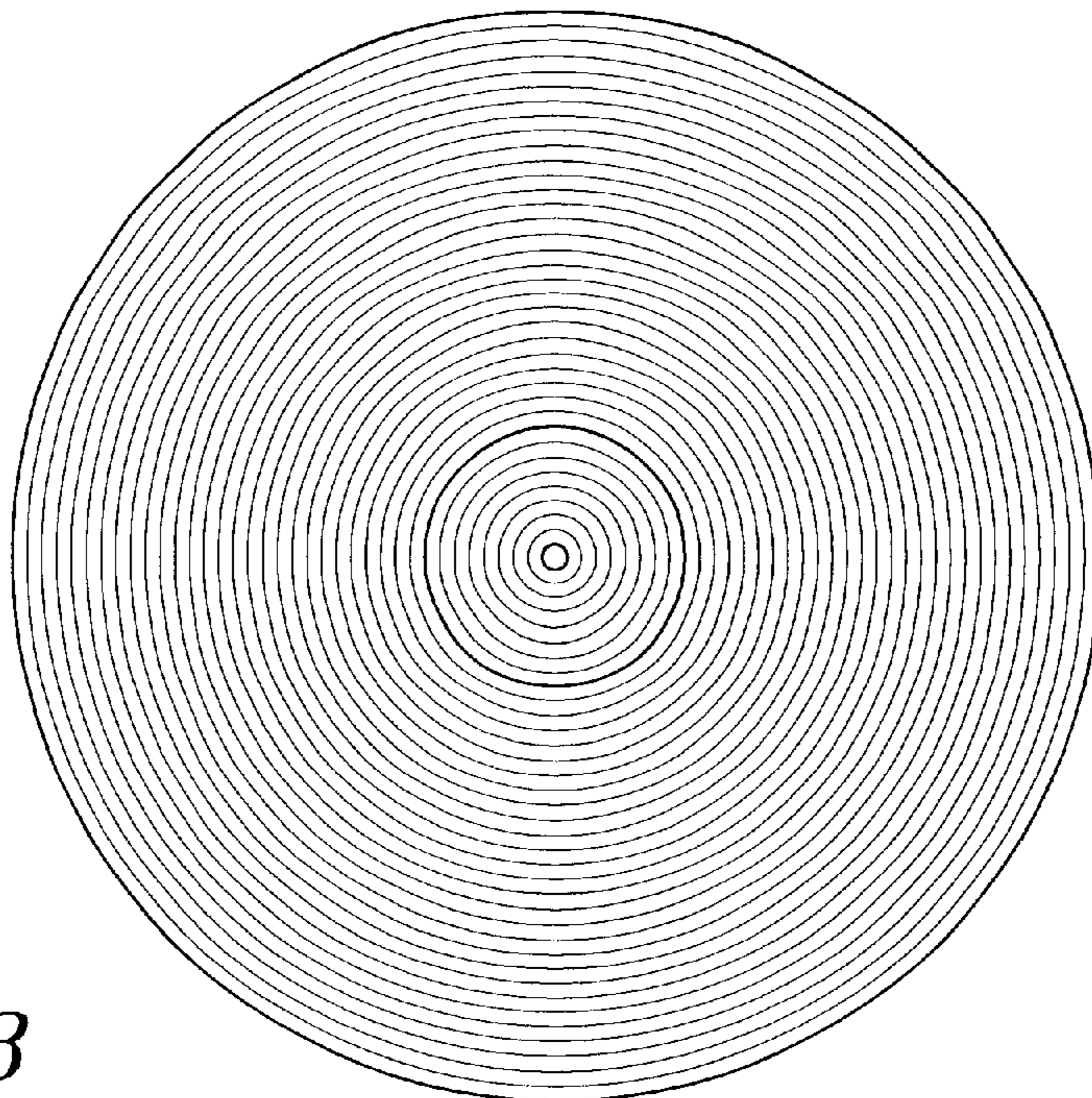


FIG. 3

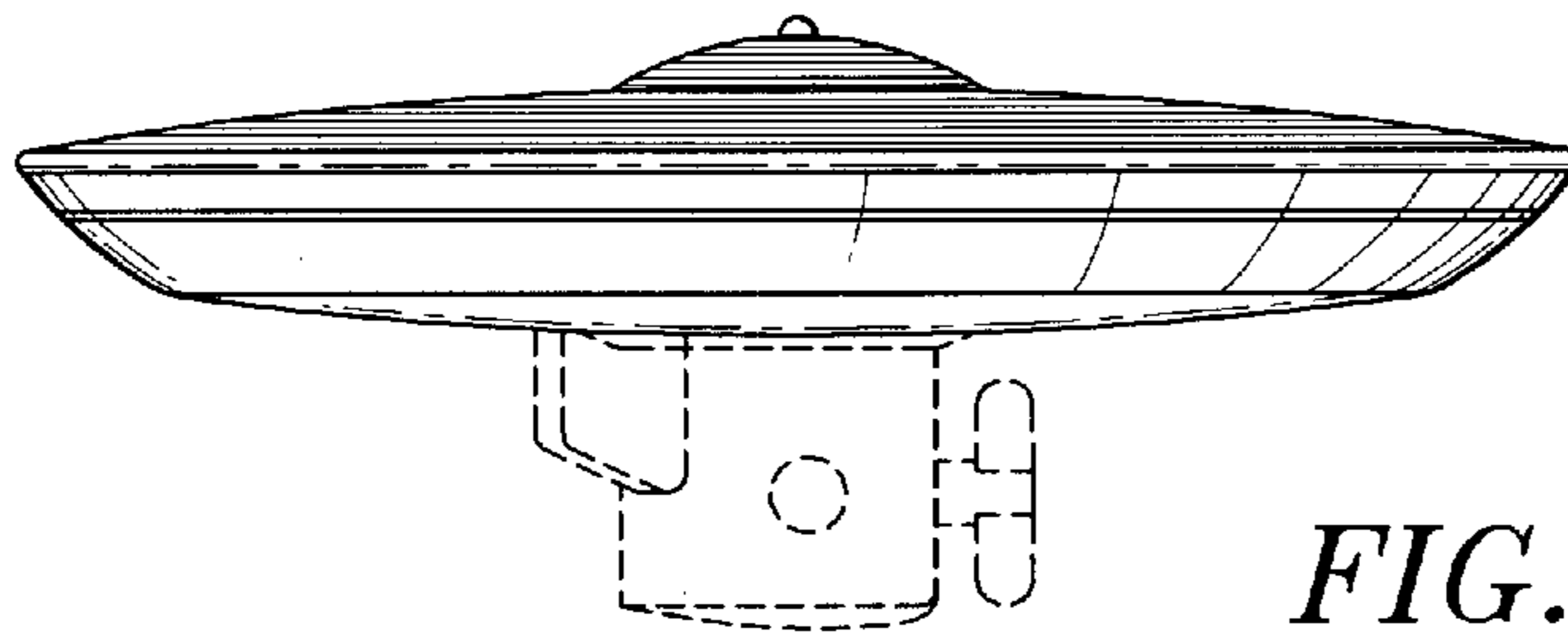


FIG. 4

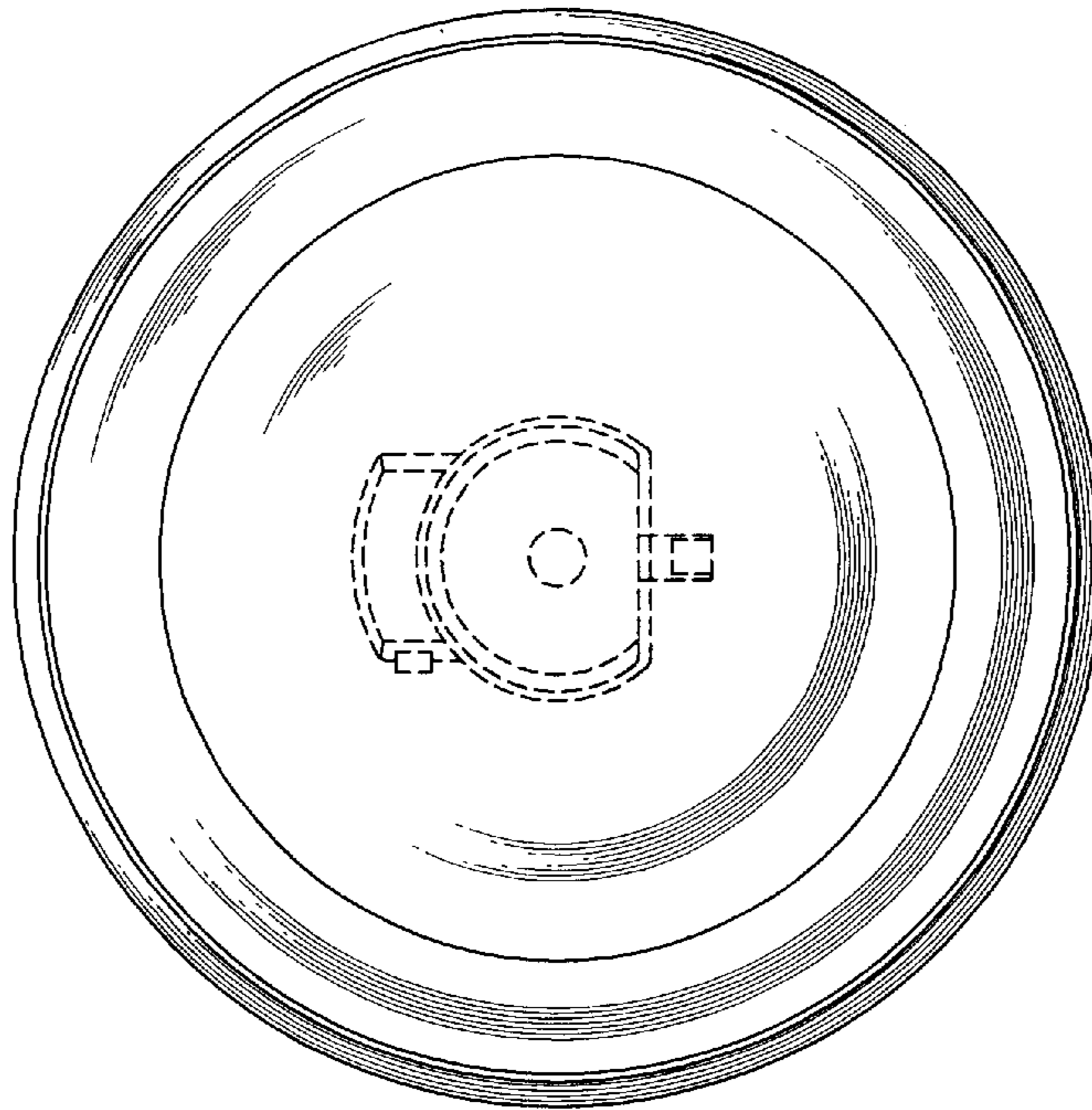


FIG. 5

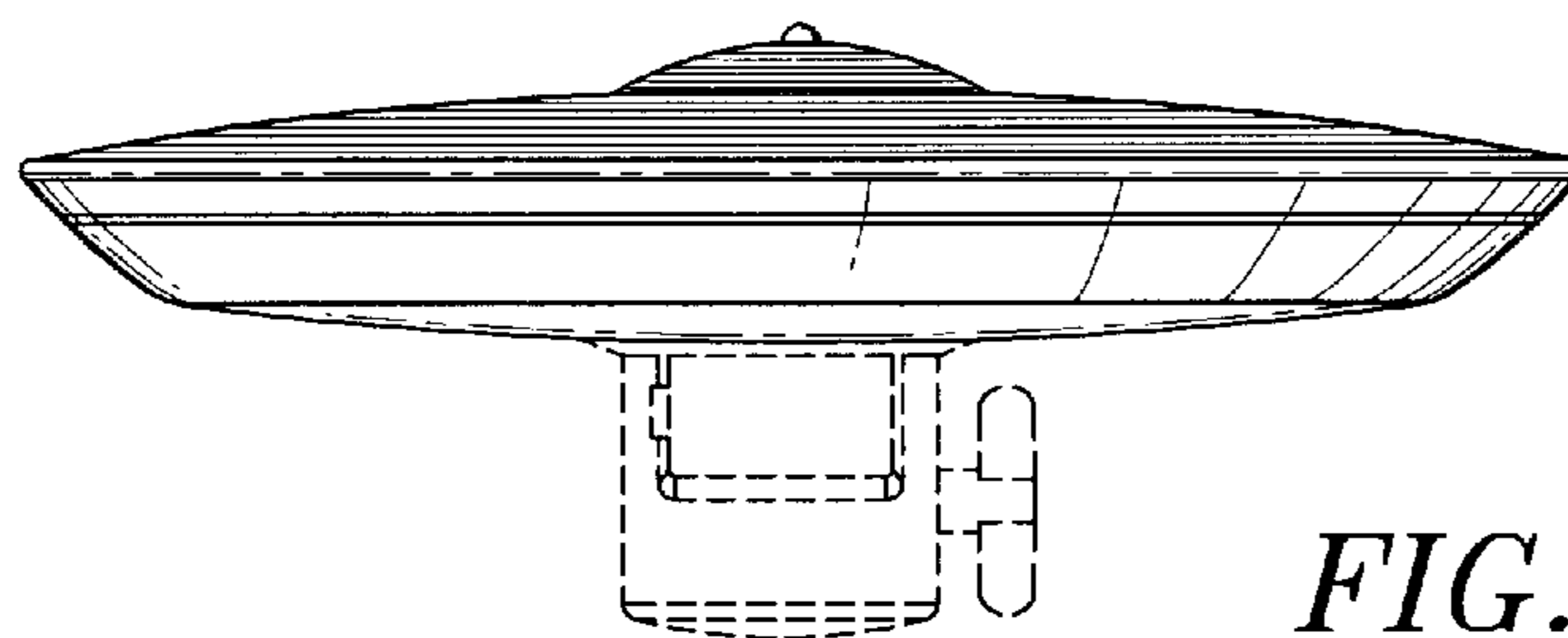


FIG. 6

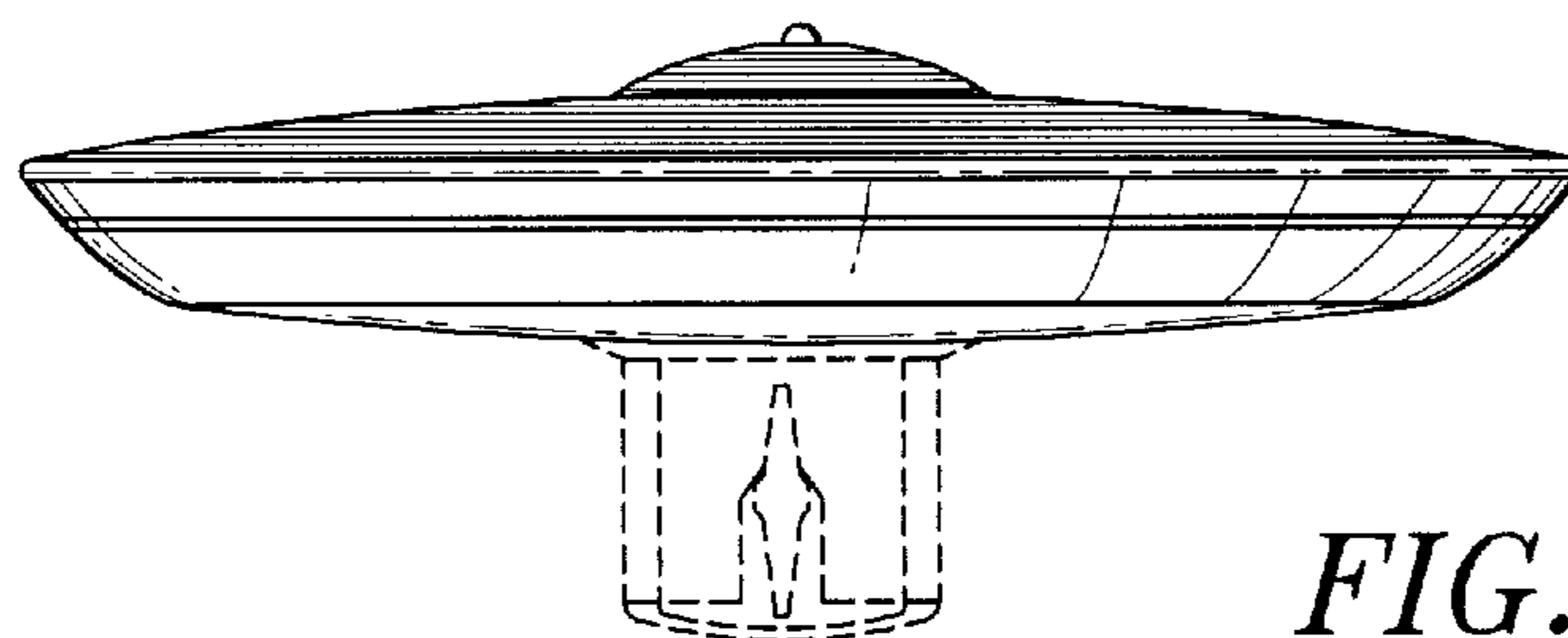


FIG. 7