



US00D455773S

(12) **United States Design Patent**
Rosso et al.

(10) **Patent No.:** **US D455,773 S**

(45) **Date of Patent:** **** Apr. 16, 2002**

(54) **EYEGLOSS RETAINER**

D437,609 S * 2/2001 Riley D16/339

(76) Inventors: **Jack Rosso**, 11 Alonda, Foothill Ranch, CA (US) 92610; **Thomas Nogradi**, 222 S. Carson Rd., Beverly Hills, CA (US) 90211

OTHER PUBLICATIONS

Frames Catalog—Harley Davidson Eyewear, p 25, Jun. 18, 1996.*

(**) Term: **14 Years**

* cited by examiner

(21) Appl. No.: **29/138,347**

Primary Examiner—Raphael Barkai

(22) Filed: **Mar. 9, 2001**

(74) *Attorney, Agent, or Firm*—Brown Raysman Millstein Felder & Steiner LLP

(51) **LOC (7) Cl.** **16-06**

(52) **U.S. Cl.** **D16/339**

(58) **Field of Search** D16/300, 303, D16/306, 310–311, 313–314, 319–330, 339, 340; D29/109, 110; 2/236, 247, 248, 249, 253; 351/41, 44, 51, 52, 111, 156–158

(57) **CLAIM**

The ornamental design for an eyeglass retainer, as shown and described.

(56) **References Cited**

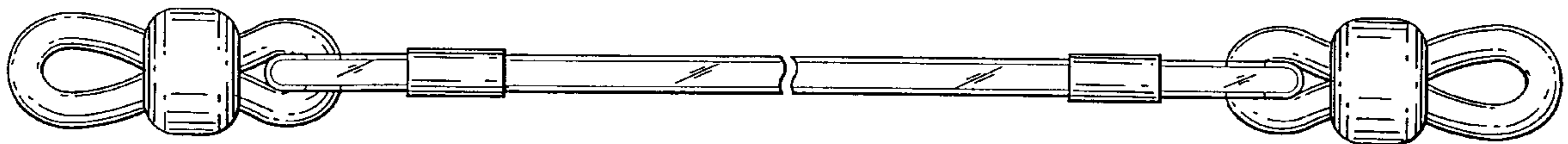
DESCRIPTION

U.S. PATENT DOCUMENTS

4,955,710	A	*	9/1990	Meistrell	351/156
D327,697	S	*	7/1992	Vines	D16/339
D328,908	S	*	8/1992	Kalbach	D16/339
D368,272	S	*	3/1996	Starr et al.	D16/339
D371,154	S	*	6/1996	Kalbach	D16/339
5,805,262	A	*	9/1998	Deveney	351/157
D432,556	S	*	10/2000	Lando	D16/303

FIG. 1 is a perspective view showing an eyeglass retainer in accordance with our new design; FIG. 2 is a front view thereof, the rear view being the same; FIG. 3 is a top view thereof; FIG. 4 is an end view thereof; FIG. 5 is a bottom view thereof; FIG. 6 is a cross-sectional view along 6—6 of FIG. 5; and, FIG. 7 is a front view with end beads shown in phantom. The elements shown in phantom are not part of the invention.

1 Claim, 3 Drawing Sheets



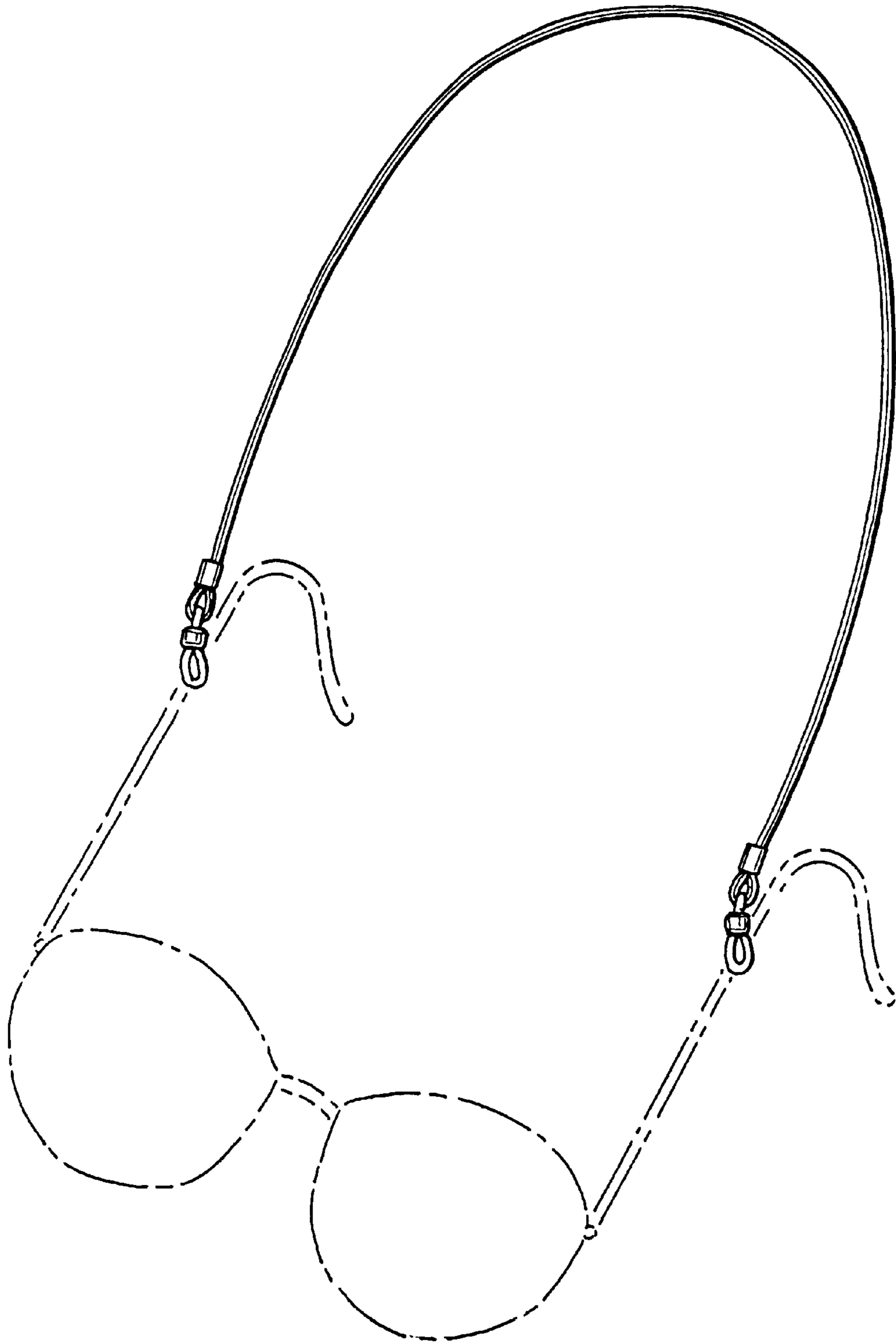


FIG. 1

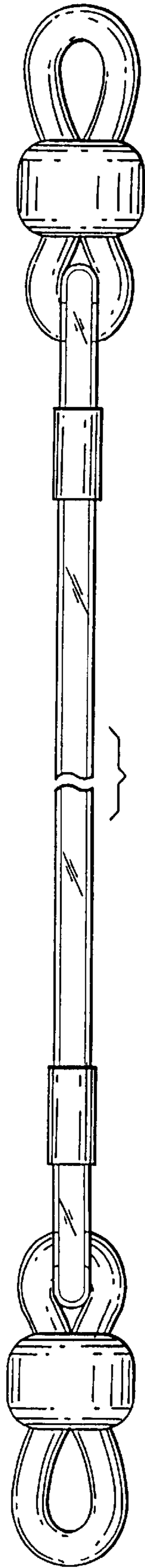


FIG. 2

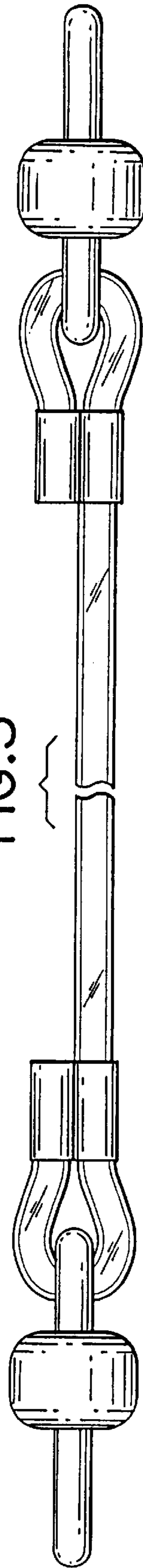


FIG. 3

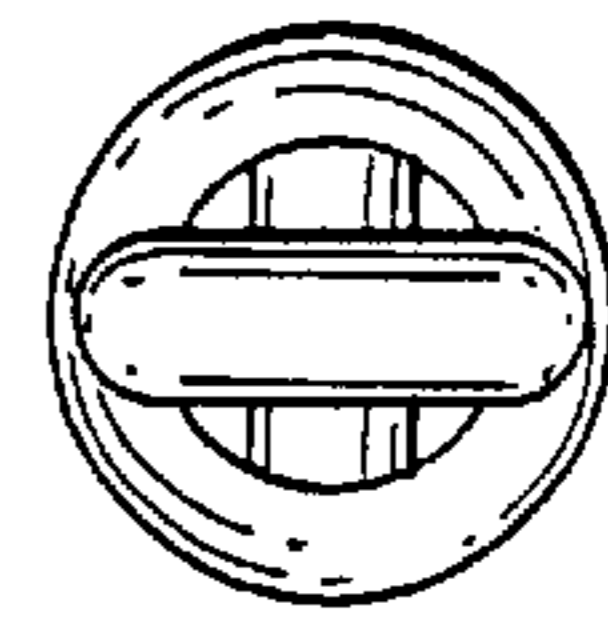


FIG. 4

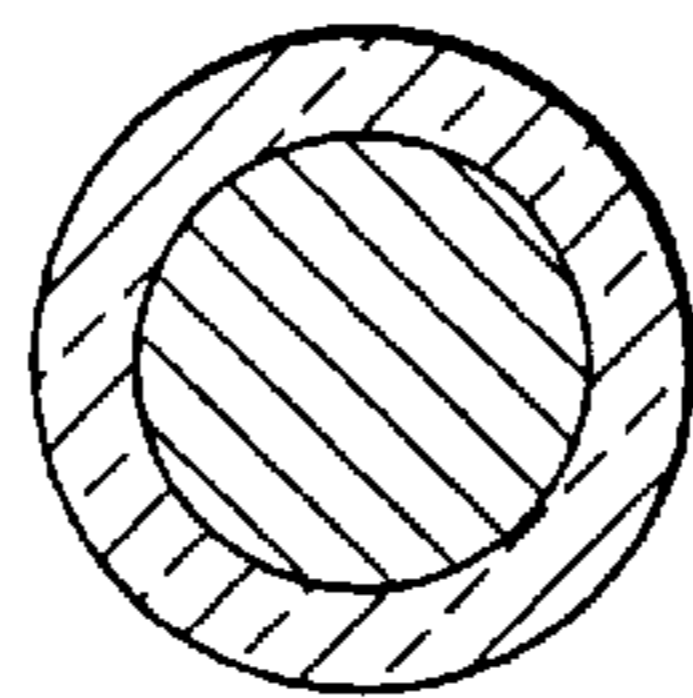
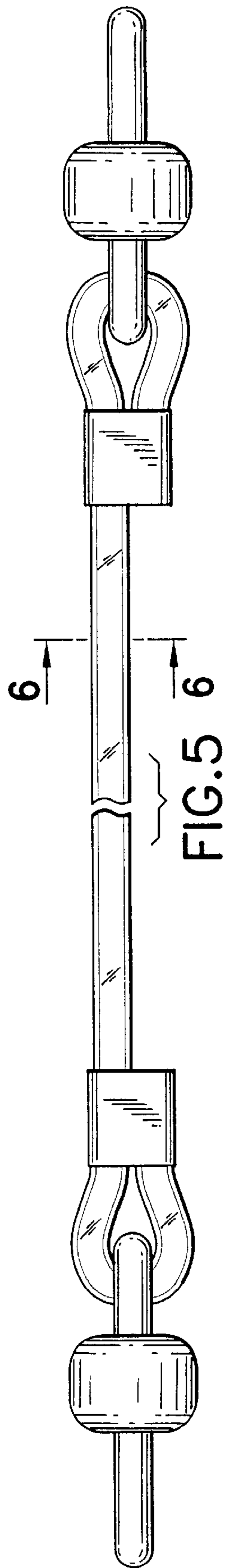


FIG. 6

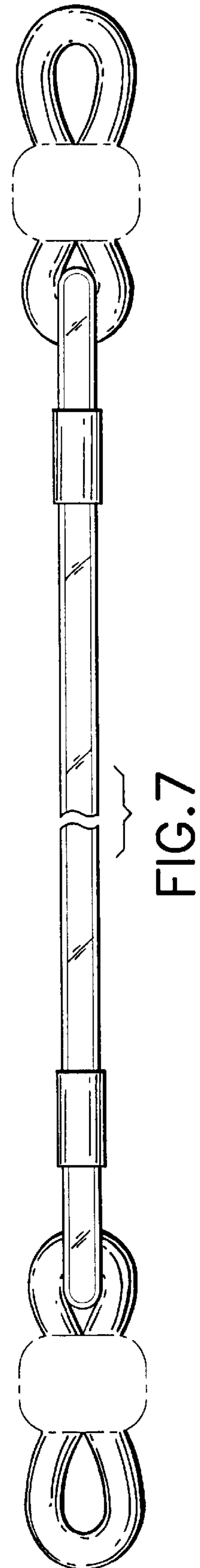


FIG. 7