



US00D455767S

(12) **United States Design Patent**
Tsang et al.

(10) **Patent No.:** **US D455,767 S**

(45) **Date of Patent:** **** Apr. 16, 2002**

(54) **VIDEO CAMERA**

D446,531 S * 8/2001 Beck et al. D16/202

(75) Inventors: **Sammy Tsang**, Alameda; **Jaime Ramos Bautista**; **Jochen Backs**, both of San Francisco, all of CA (US)

OTHER PUBLICATIONS

Vivitar Digital Imaging, Mar. 1998 (ViviCam camera).*

* cited by examiner

(73) Assignee: **Logitech Europe S.A.**, Romanel-sur Morges (CH)

Primary Examiner—Adir Aronovich

(**) Term: **14 Years**

(74) *Attorney, Agent, or Firm*—Townsend and Townsend and Crew LLP

(21) Appl. No.: **29/132,030**

(57) **CLAIM**

(22) Filed: **Oct. 31, 2000**

The ornamental design for a video camera, as shown and described.

(51) **LOC (7) Cl.** **16-01**

DESCRIPTION

(52) **U.S. Cl.** **D16/202**

(58) **Field of Search** D16/200–205, D16/208; 348/14.01–14.09, 14.1, 14.11, 14.12–14.16, 373–376; 358/906; 396/535–541

FIG. 1 is a perspective view of a video camera showing our design, the broken lines shown are to illustrate environment only and form no part of the claimed design.

FIG. 2 is a front elevational view thereof;

FIG. 3 is a rear elevational view thereof;

FIG. 4 is a top plan view thereof;

FIG. 5 is a left side elevational view, the right side elevational view being a mirror image thereof; and,

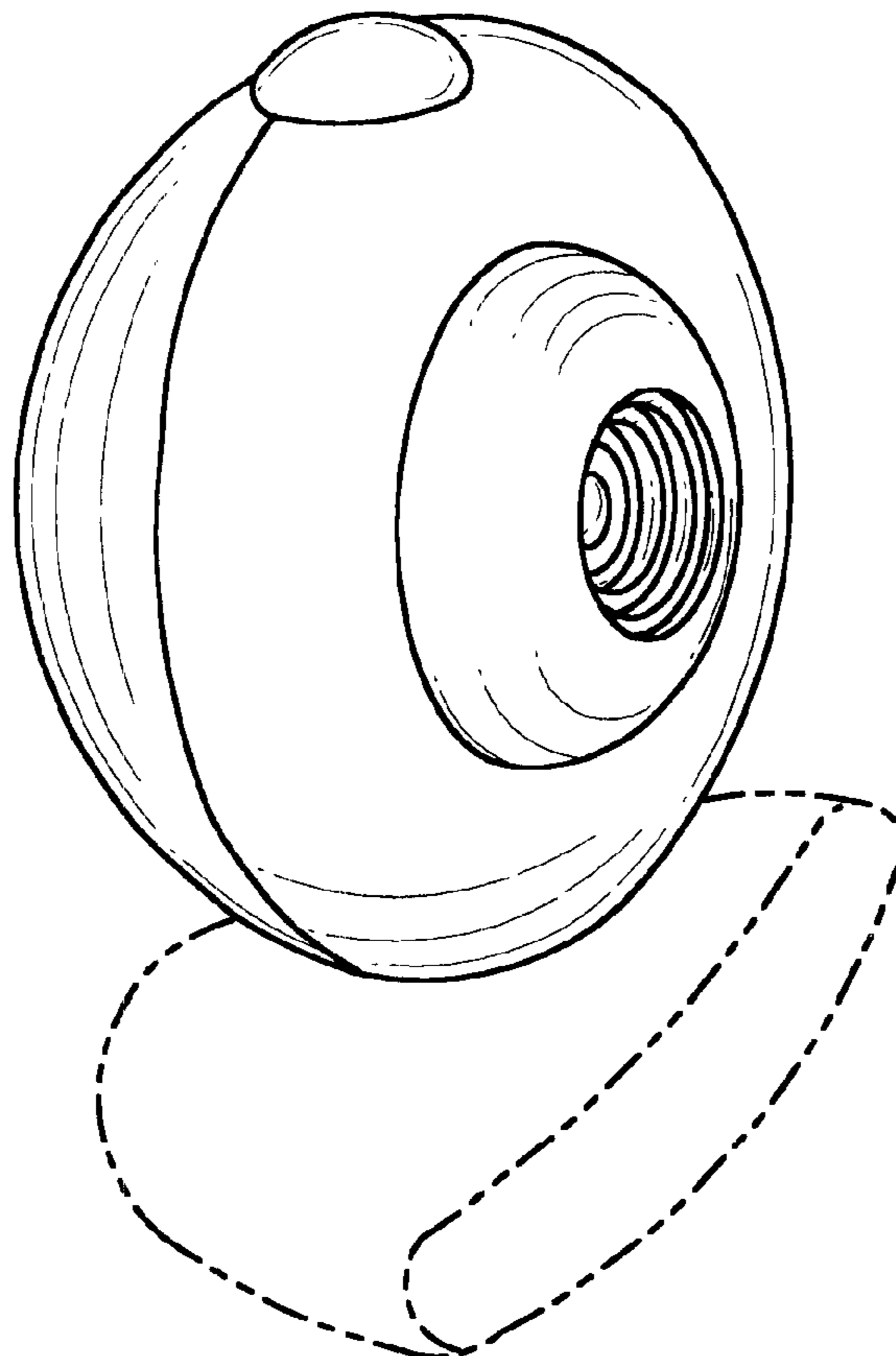
FIG. 6 is bottom plan view thereof.

(56) **References Cited**

U.S. PATENT DOCUMENTS

- D387,788 S * 12/1997 Jeong et al. D16/202
- D390,244 S * 2/1998 Yamakawa et al. D16/202
- D394,274 S * 5/1998 Suzuki D16/202
- D441,000 S * 4/2001 Vanderwilt et al. D16/202
- 6,239,841 B1 * 5/2001 Verstockt et al. 348/373

1 Claim, 2 Drawing Sheets



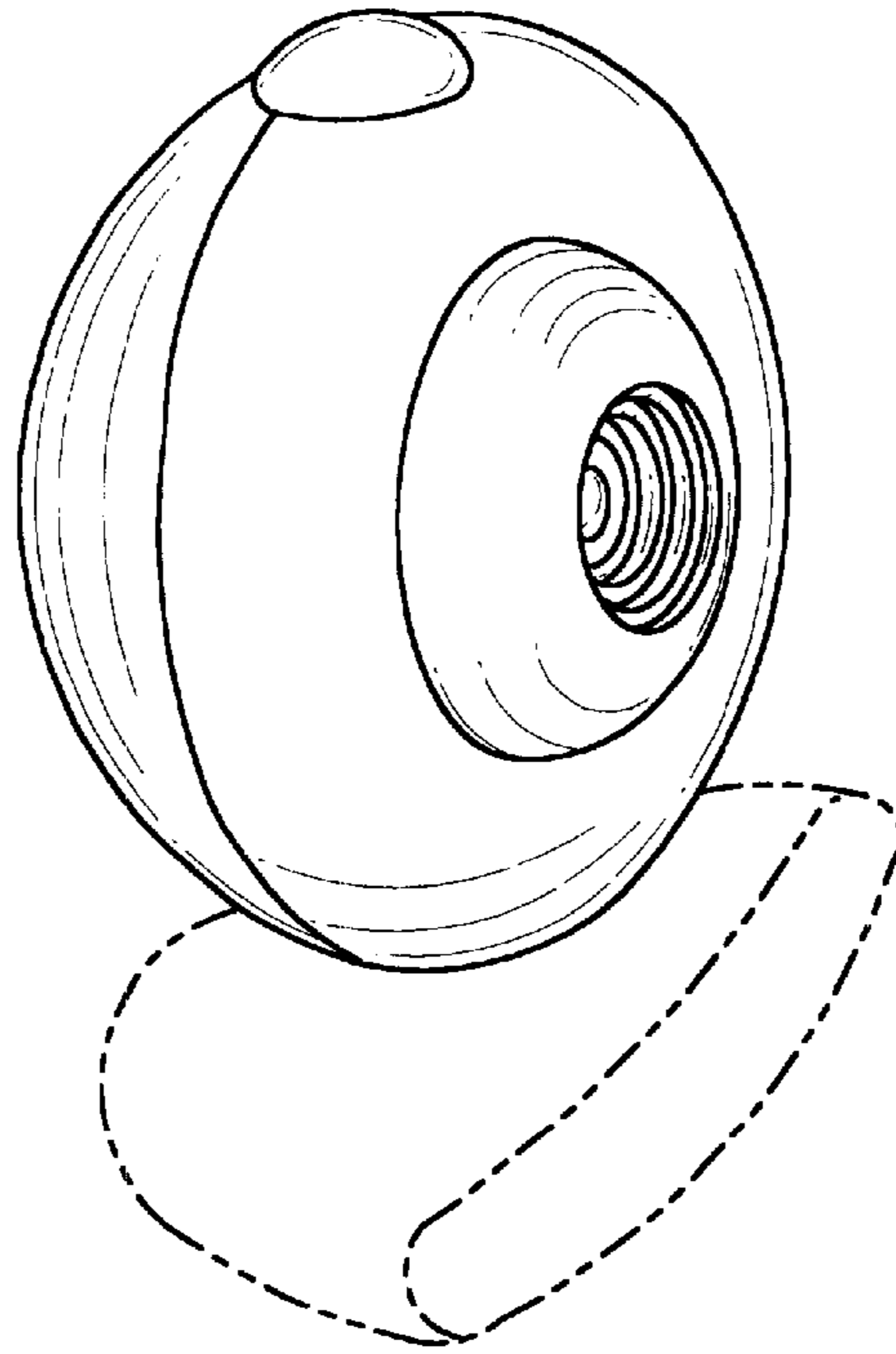


FIG. 1

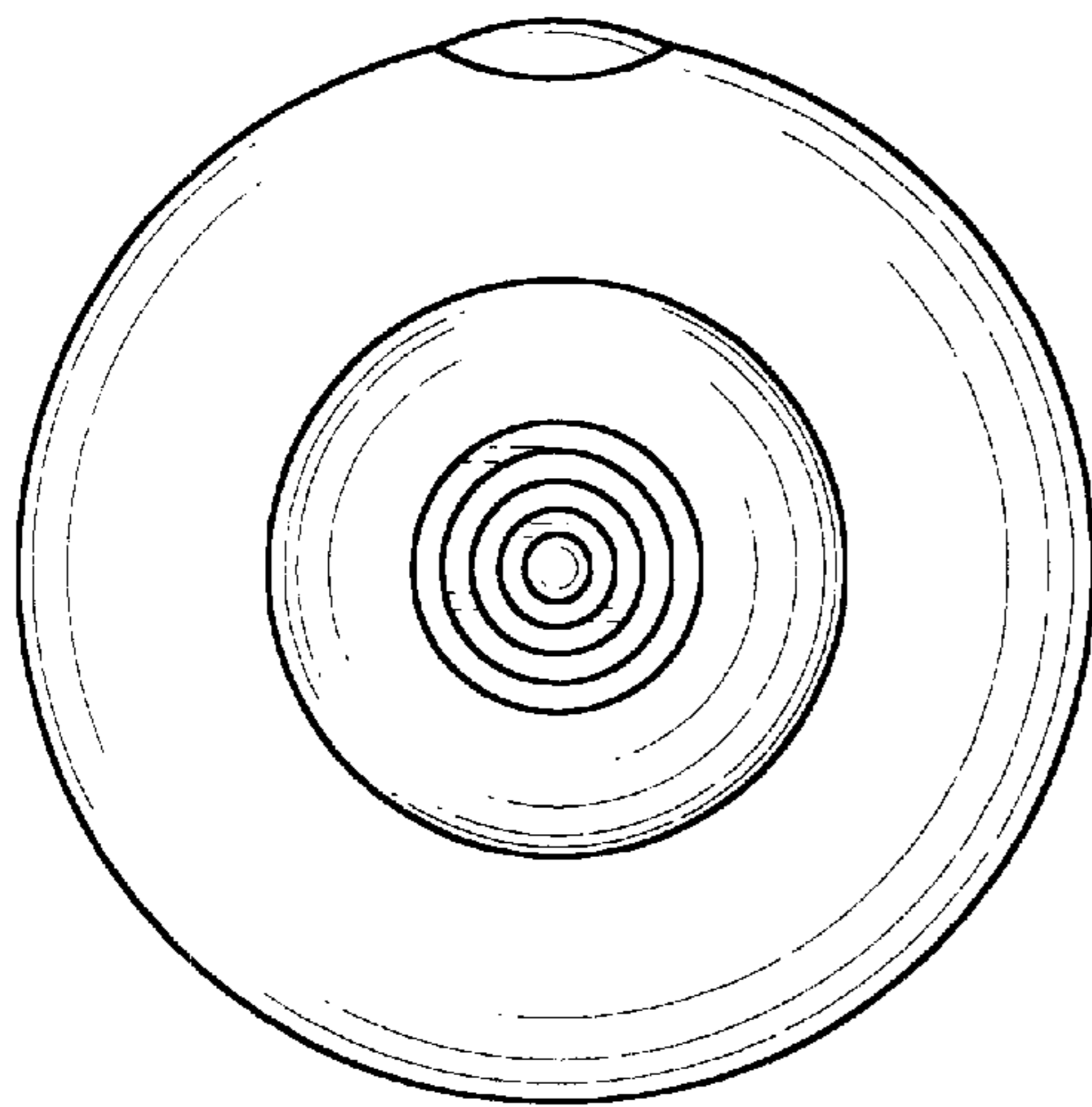


FIG. 2

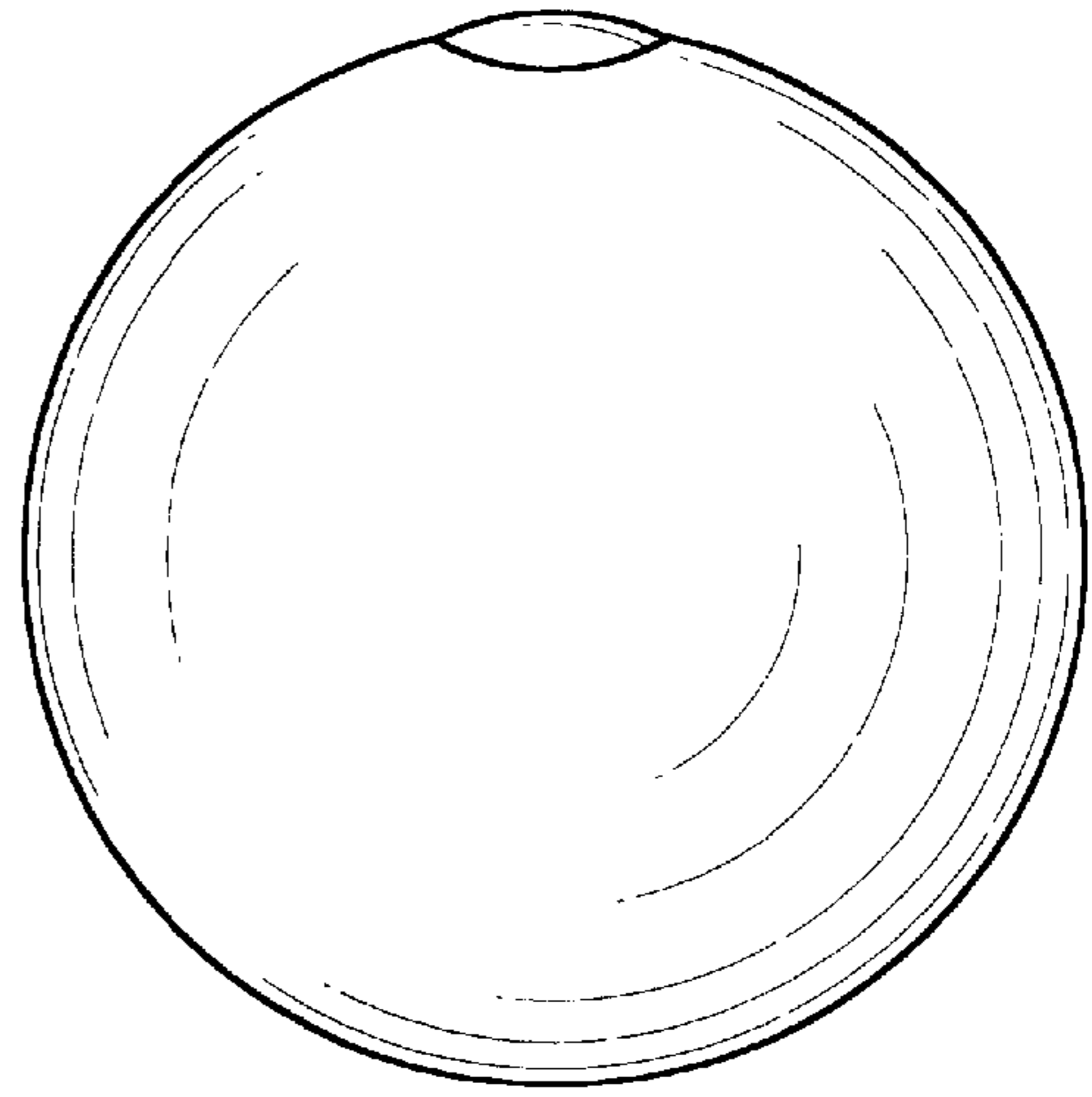


FIG. 3

FIG. 4

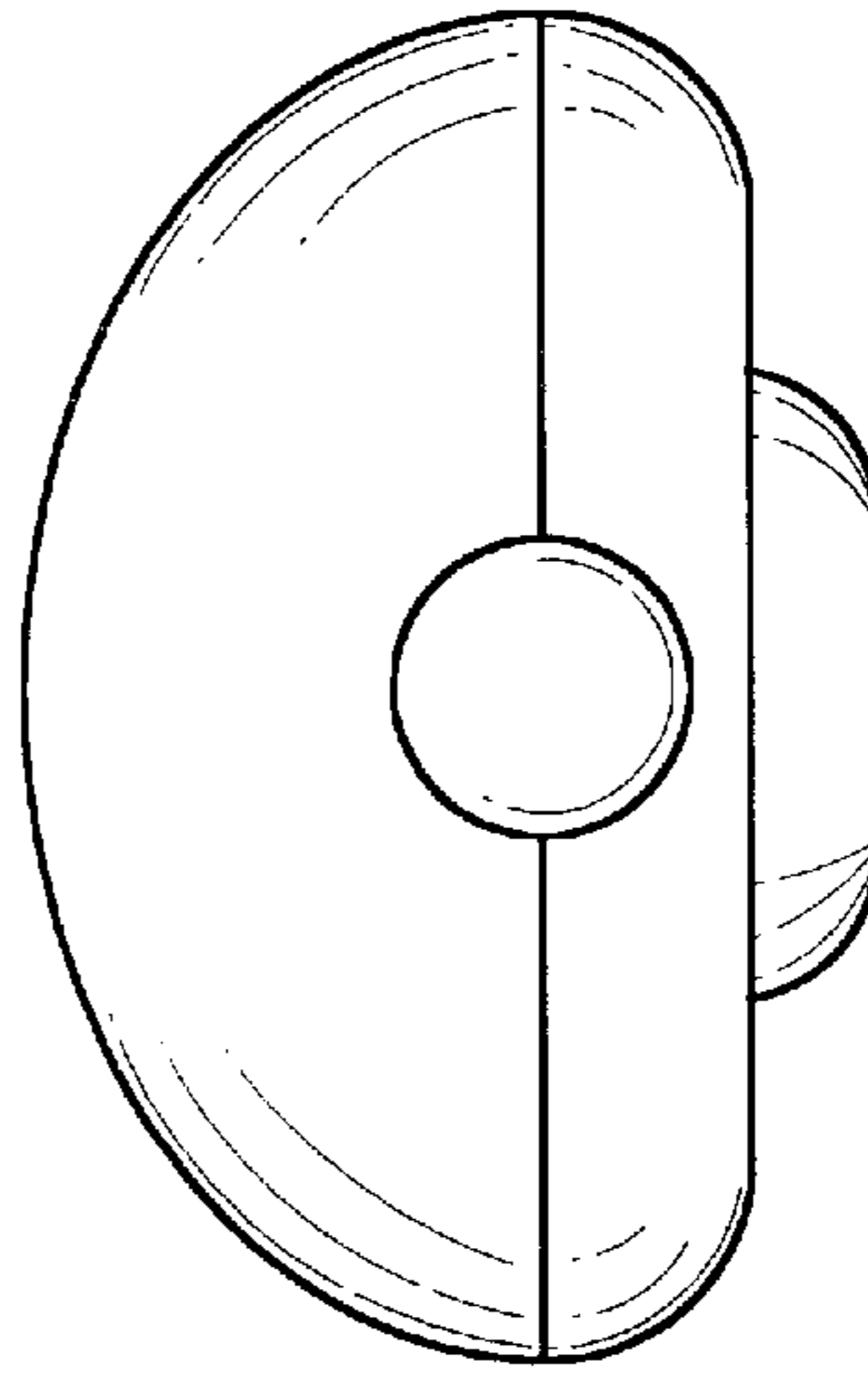


FIG. 5

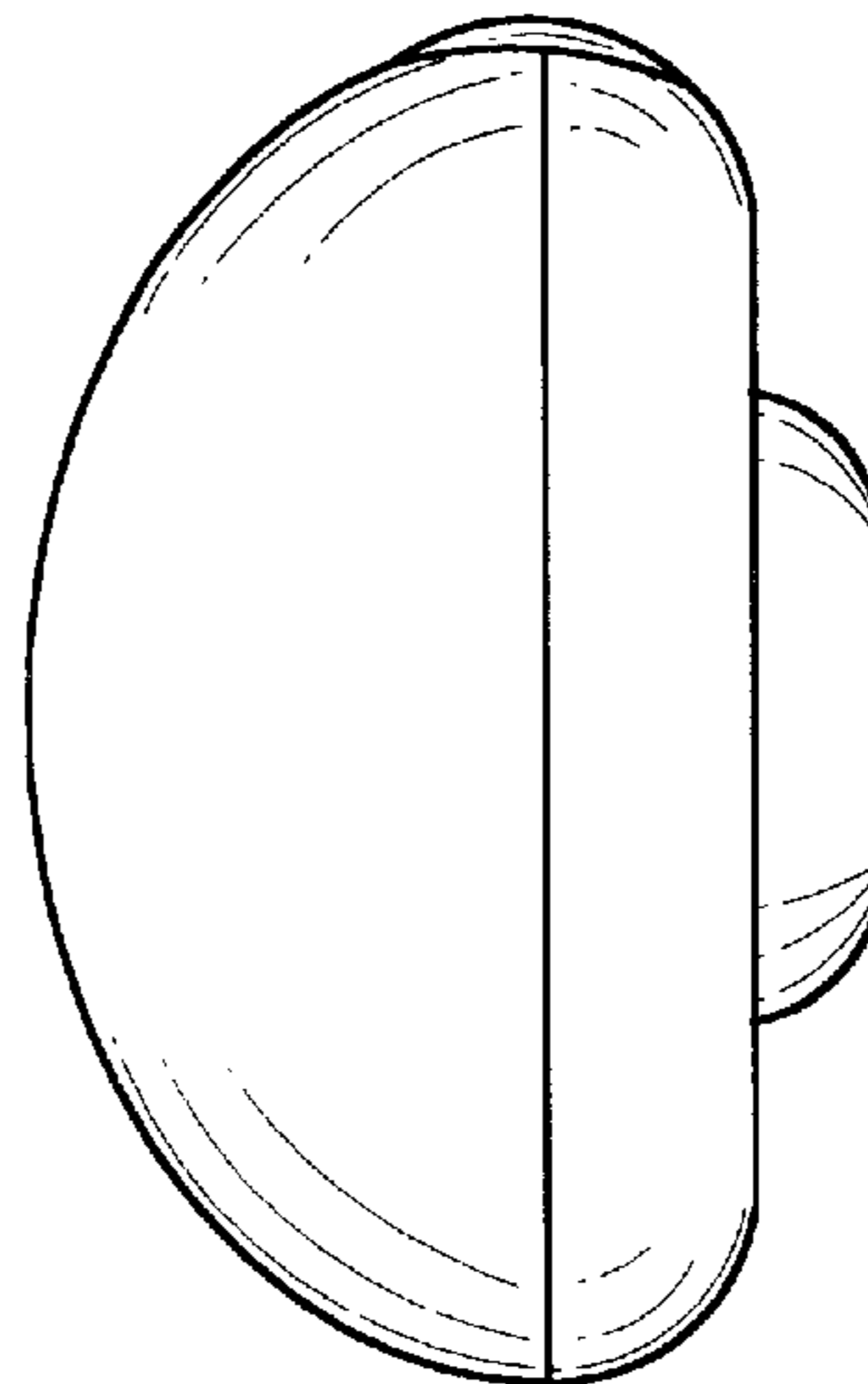


FIG. 6

