



US00D455761S

(12) **United States Design Patent**
Graber et al.

(10) **Patent No.:** **US D455,761 S**

(45) **Date of Patent:** **** Apr. 16, 2002**

(54) **COMPRESSOR**

(75) Inventors: **Tom Graber**, Longmont; **Jeff Samson**,
Boulder, both of CO (US); **Paul**
Klimek, New Ulm, MN (US)

(73) Assignee: **The Coleman Powermate, Inc.**,
Kearney, NE (US)

(**) Term: **14 Years**

(21) Appl. No.: **29/131,374**

(22) Filed: **Oct. 20, 2000**

(51) **LOC (7) Cl.** **15-02**

(52) **U.S. Cl.** **D15/9**

(58) **Field of Search** D15/7-9.1; D23/259;
138/33; 285/24, 156, 8, 148.13, 41, 61,
155, 292, 382, 423; 137/208; 221/61; 417/234,
368

(56) **References Cited**

U.S. PATENT DOCUMENTS

D293,682 S * 1/1988 Liou D15/9
D299,143 S * 12/1988 Hazlehurst D15/7

D376,370 S * 12/1996 Davis et al. D15/7
D394,068 S * 5/1998 Pollrich et al. D15/9
D405,455 S * 2/1999 Leu et al. D15/9
D434,779 S * 12/2000 Agresta et al. D15/7
D444,798 S * 7/2001 Morgan D15/9

* cited by examiner

Primary Examiner—Ralf Seifert

(74) *Attorney, Agent, or Firm*—Kramer Levin Naftalis &
Frankel LLP

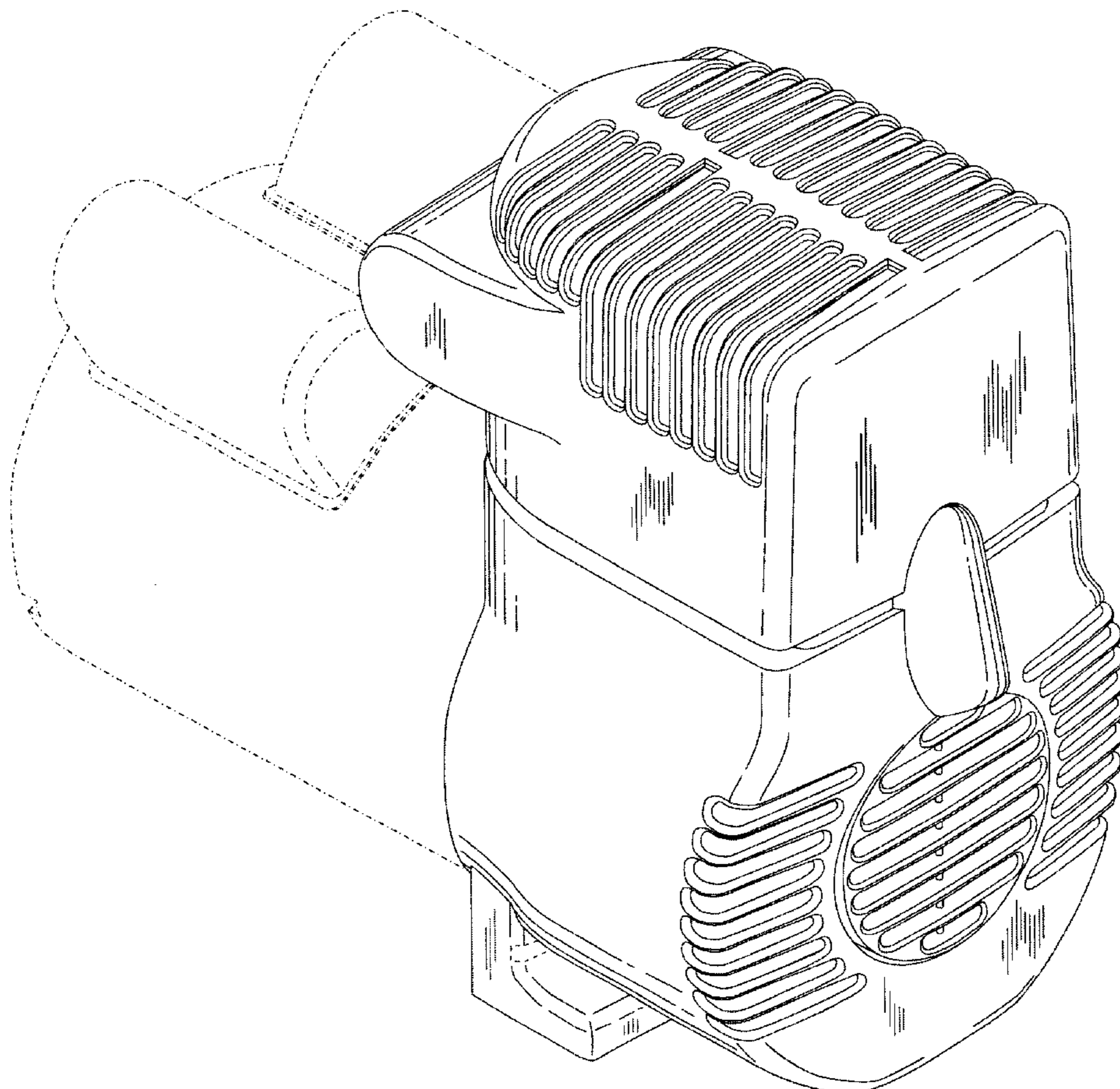
(57) **CLAIM**

The ornamental design for a compressor, as shown and
described.

DESCRIPTION

FIG. 1 is a front perspective view showing the new design;
FIG. 2 is a side elevation view thereof;
FIG. 3 is a side elevation view thereof, showing the opposite
side of FIG. 2
FIG. 4 is a front elevation view thereof;
FIG. 5 is a rear elevation view thereof;
FIG. 6 is a top plan view thereof; and,
FIG. 7 is a bottom plan view thereof.

1 Claim, 7 Drawing Sheets



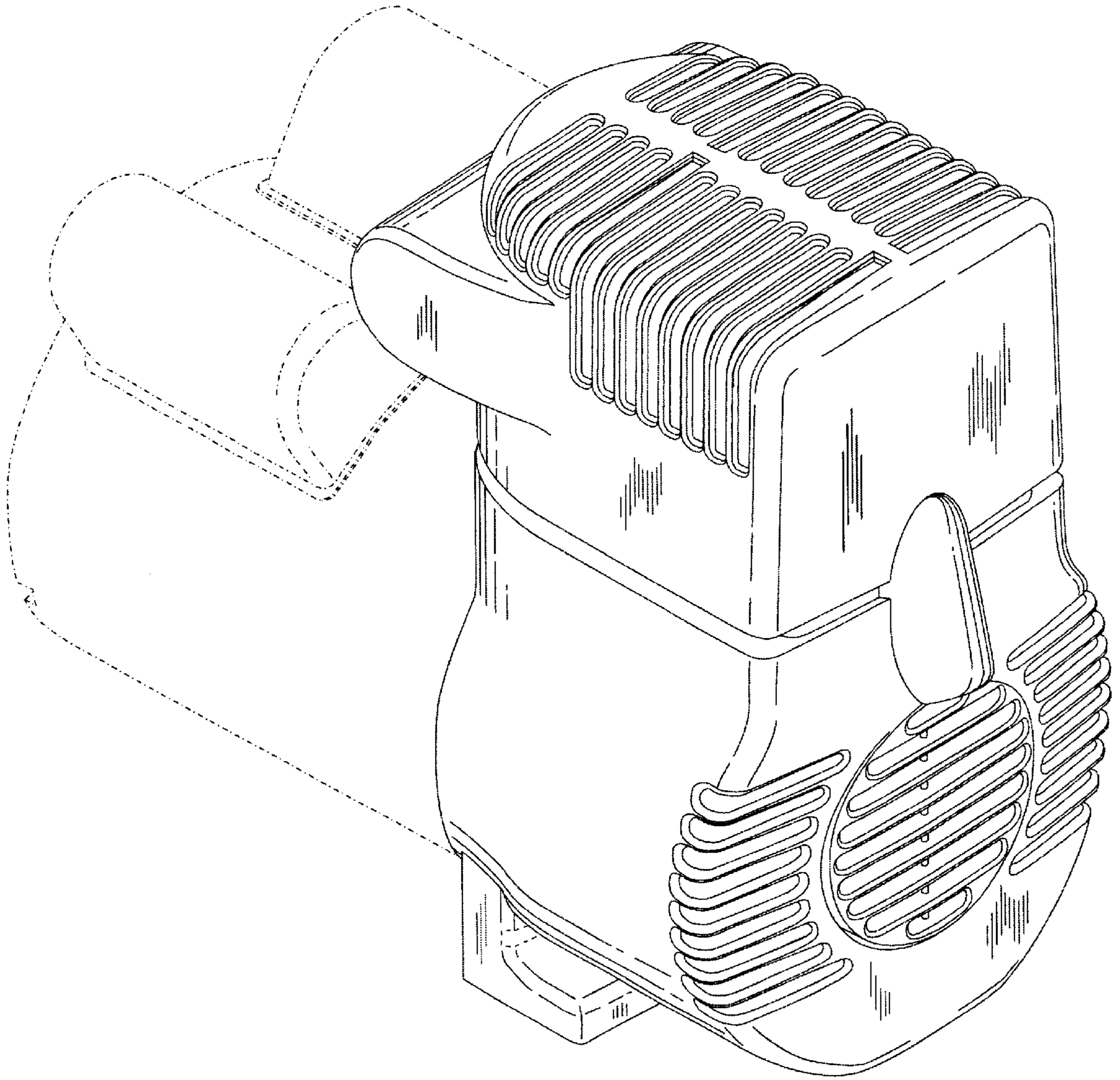


FIG. 1

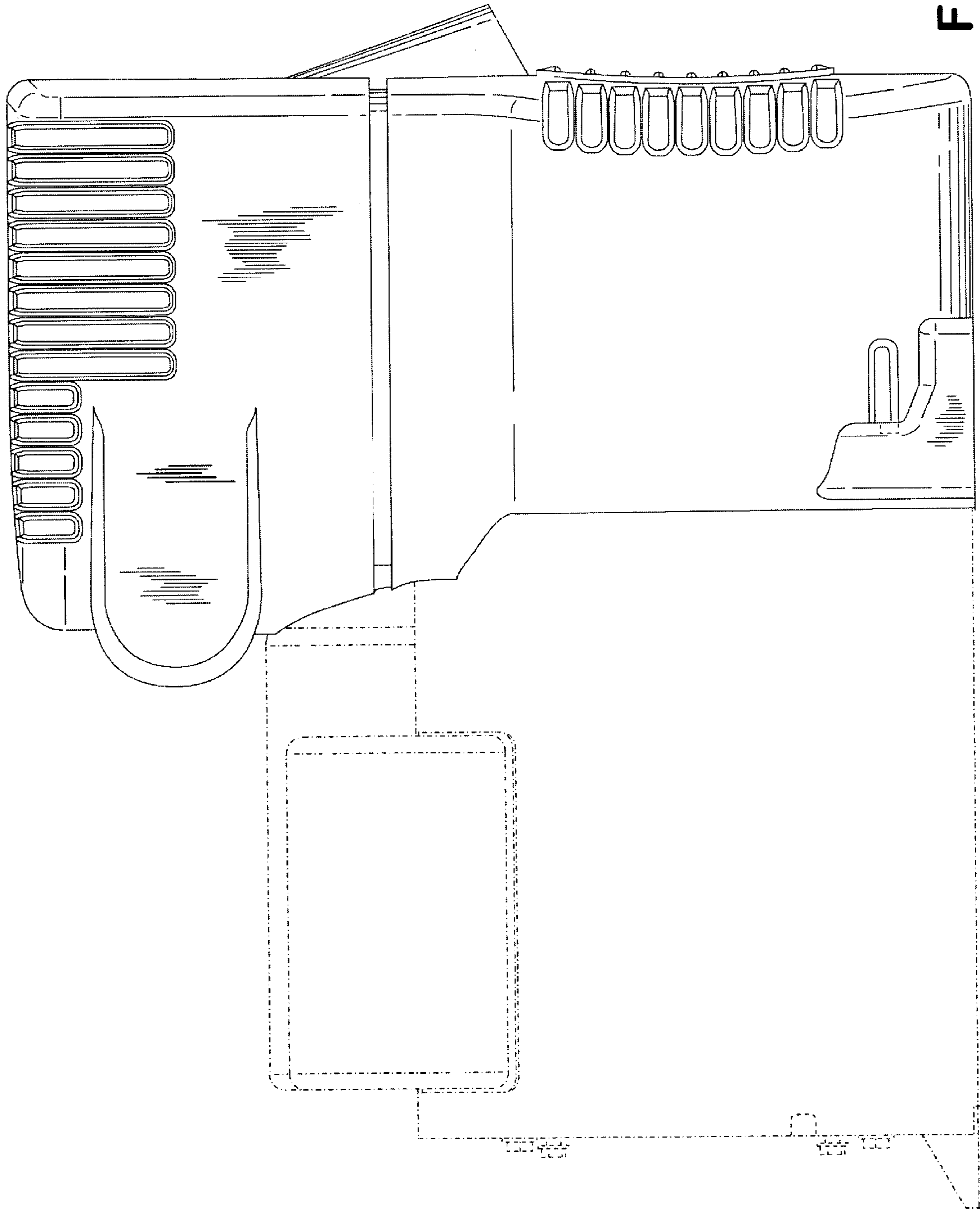


FIG. 2

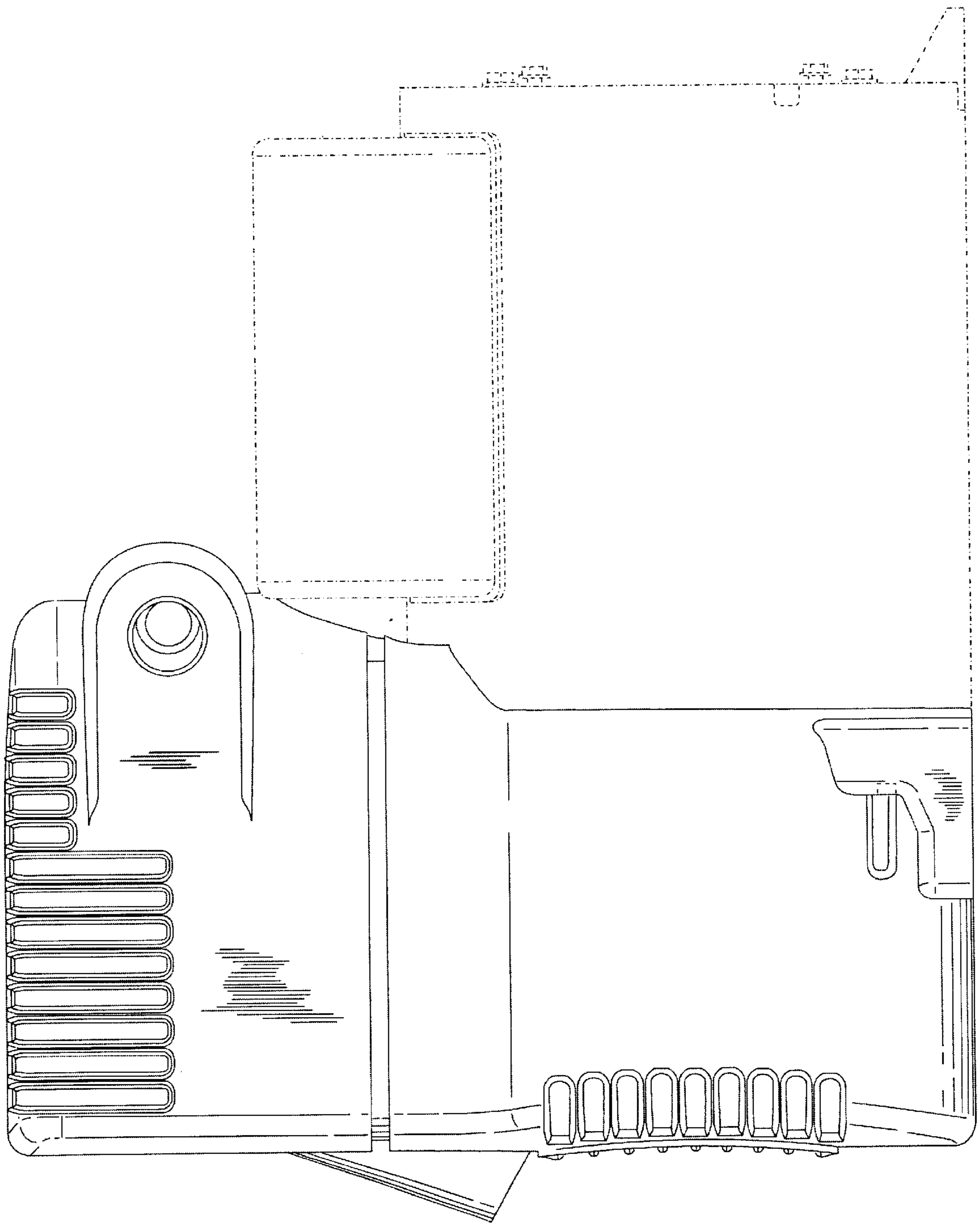


FIG. 3

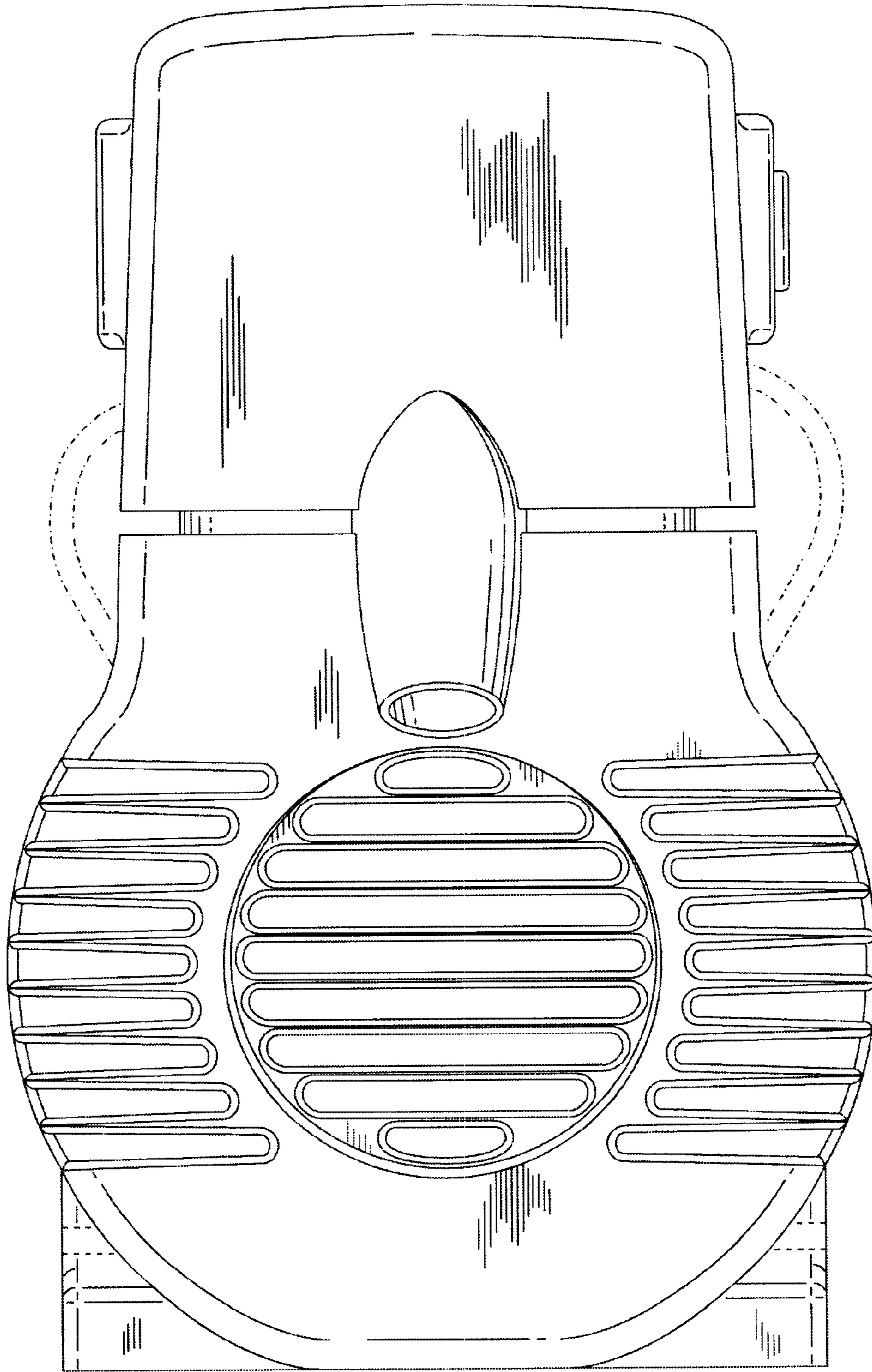


FIG. 4

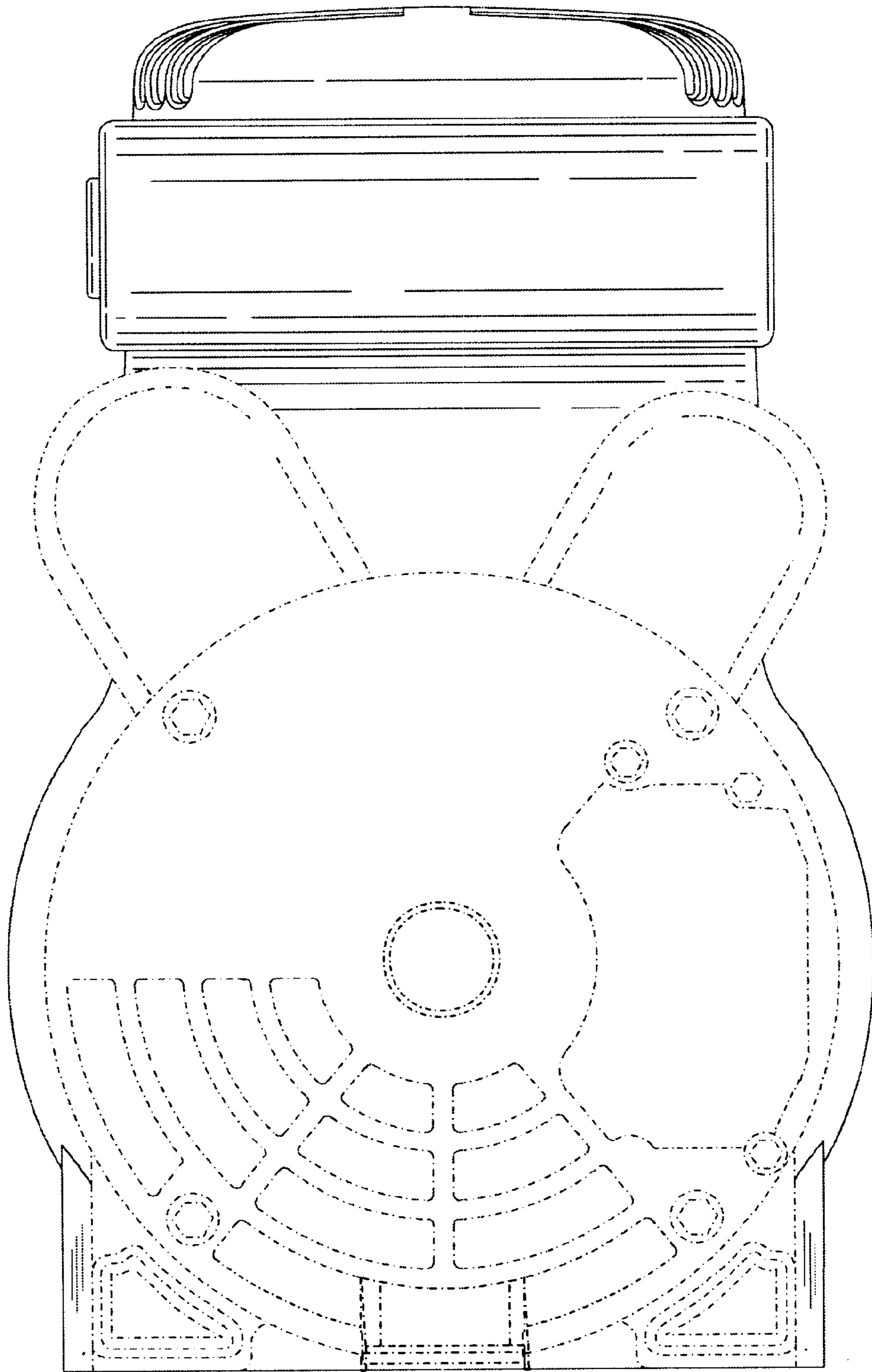


FIG. 5

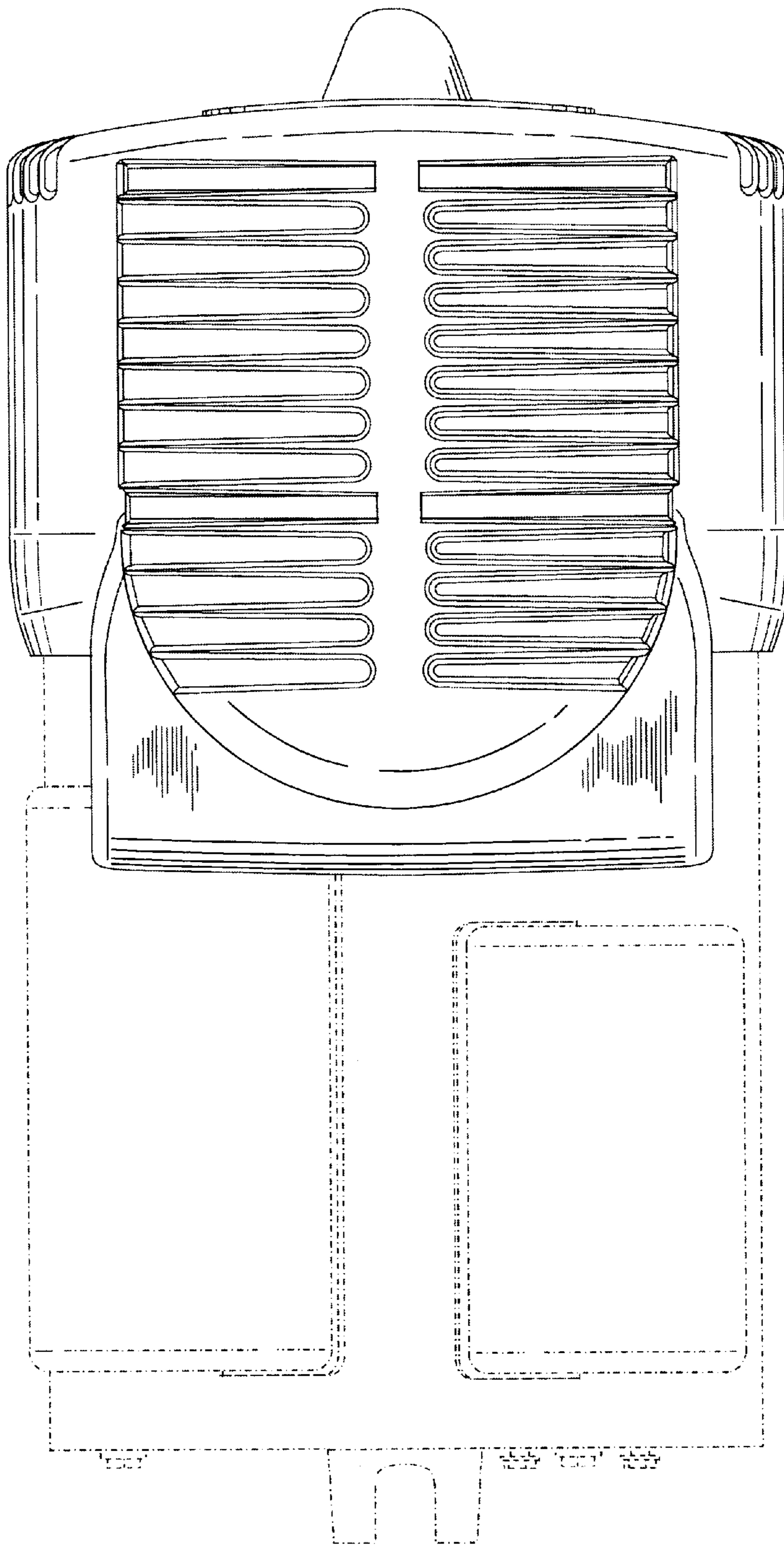


FIG. 6

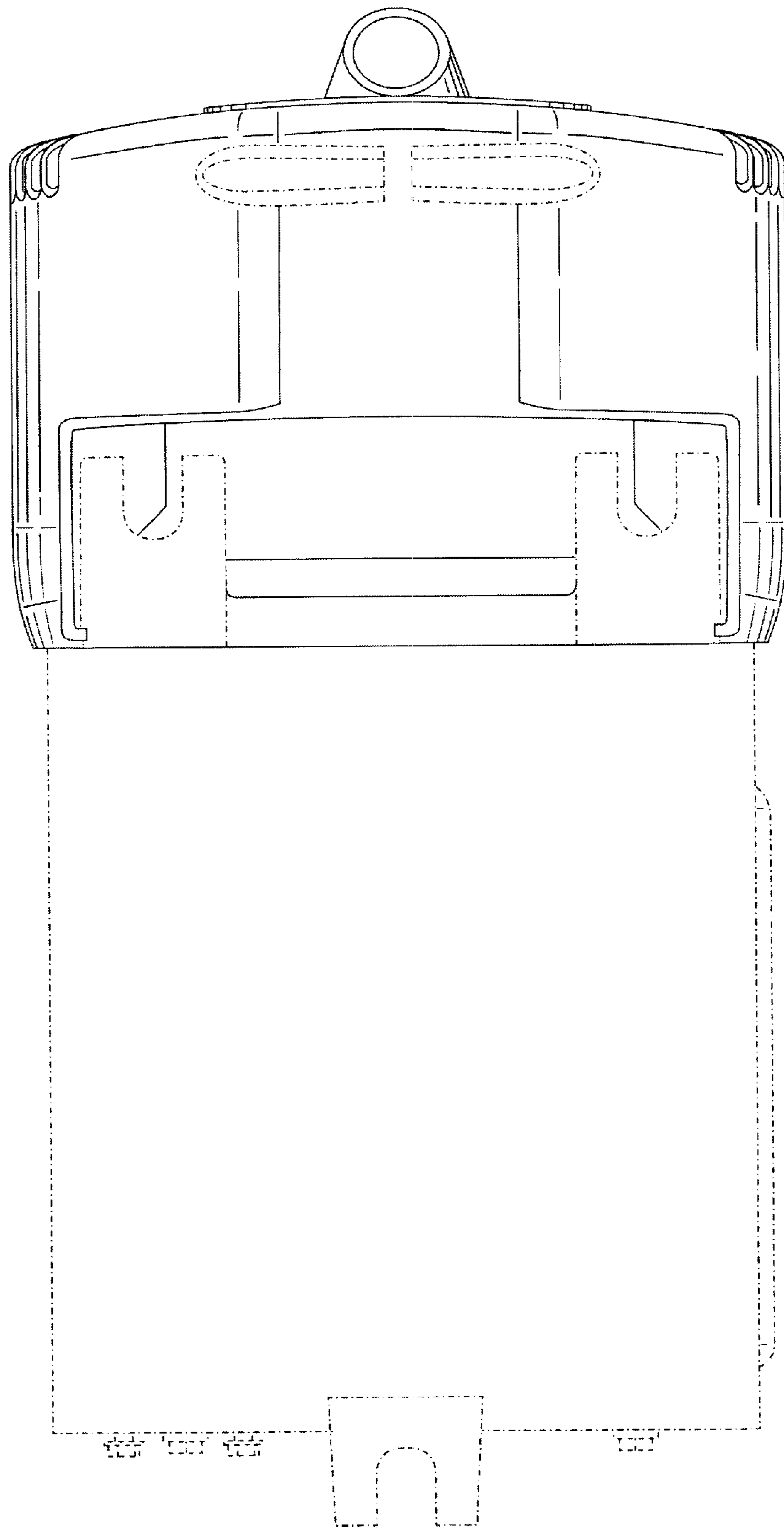


FIG. 7