



US00D455757S

(12) **United States Design Patent**
López-Mas

(10) **Patent No.:** **US D455,757 S**

(45) **Date of Patent:** **** Apr. 16, 2002**

(54) **ROSETTE FOR DIGITAL DISKS**
(76) Inventor: **Antonia López-Mas**, Angel Guimerà
57, 2^o-1^a, San Cugat del Vallès (ES),
08190

(**) Term: **14 Years**

(21) Appl. No.: **29/128,509**

(22) Filed: **Aug. 28, 2000**

(30) **Foreign Application Priority Data**

Mar. 8, 2000 (ES) 147800

(51) **LOC (7) Cl.** **14-99**

(52) **U.S. Cl.** **D14/483**

(58) **Field of Search** D14/483, 484,
D14/474, 478, 435; 369/272, 282, 288,
290, 291, 292; 360/131, 137, 135

(56) **References Cited**

U.S. PATENT DOCUMENTS

4,495,613 A * 1/1985 Gagnon 369/290
4,536,867 A * 8/1985 Robinson 369/282
4,944,982 A * 7/1990 Kikuchi 369/282

5,010,435 A * 4/1991 Shiba et al. 369/282
D385,538 S * 10/1997 Tatenuma D14/483
5,867,477 A * 2/1999 Naito et al. 369/290
6,118,633 A * 7/2000 Krieger et al. 369/282
D434,777 S * 12/2000 Peterson et al. D14/484

* cited by examiner

Primary Examiner—Prabhakar Deshmukh

(74) *Attorney, Agent, or Firm*—Jacobson Holman, PLLC

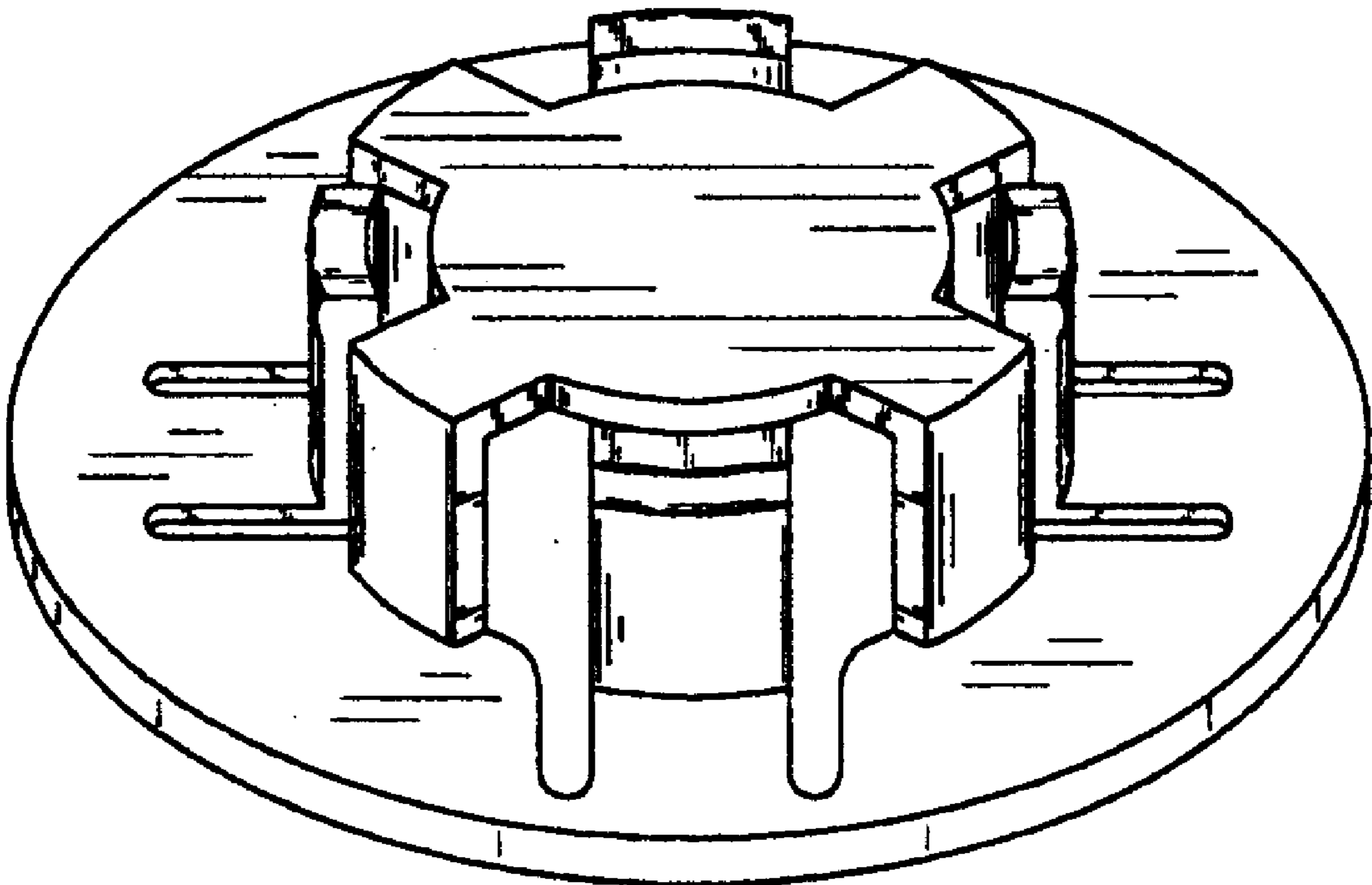
(57) **CLAIM**

The ornamental design for a rosette for digital disks, as shown and described.

DESCRIPTION

FIG. 1 is a perspective view of a rosette for digital disks showing my new design;
FIG. 2 is an enlarged perspective view thereof;
FIG. 3 is a top plan view thereof;
FIG. 4 is a bottom perspective view thereof; and,
FIG. 5 is a bottom plan view.
The broken lines are for illustrative purposes only and form no part of the claimed design.

1 Claim, 1 Drawing Sheet



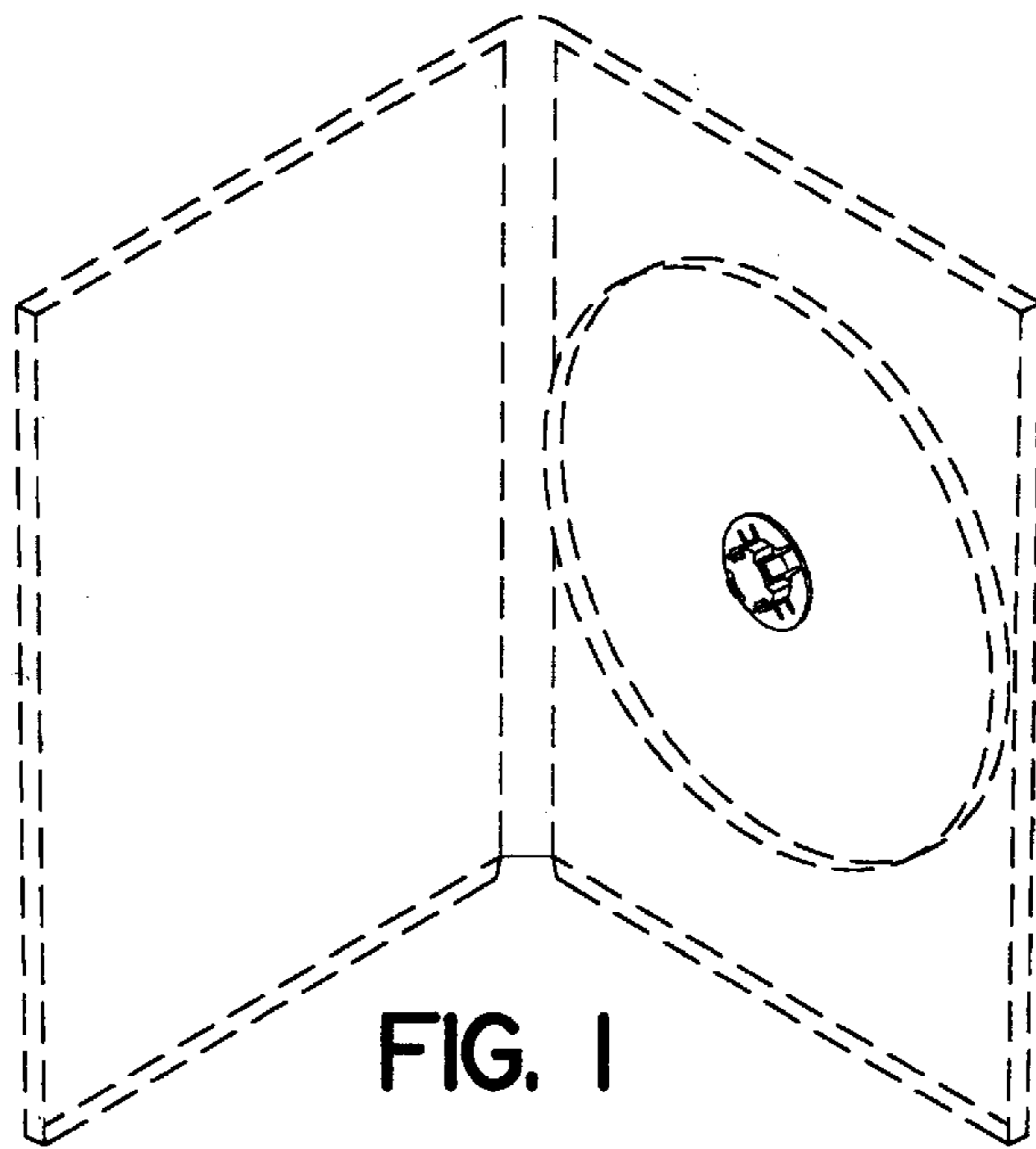


FIG. 1

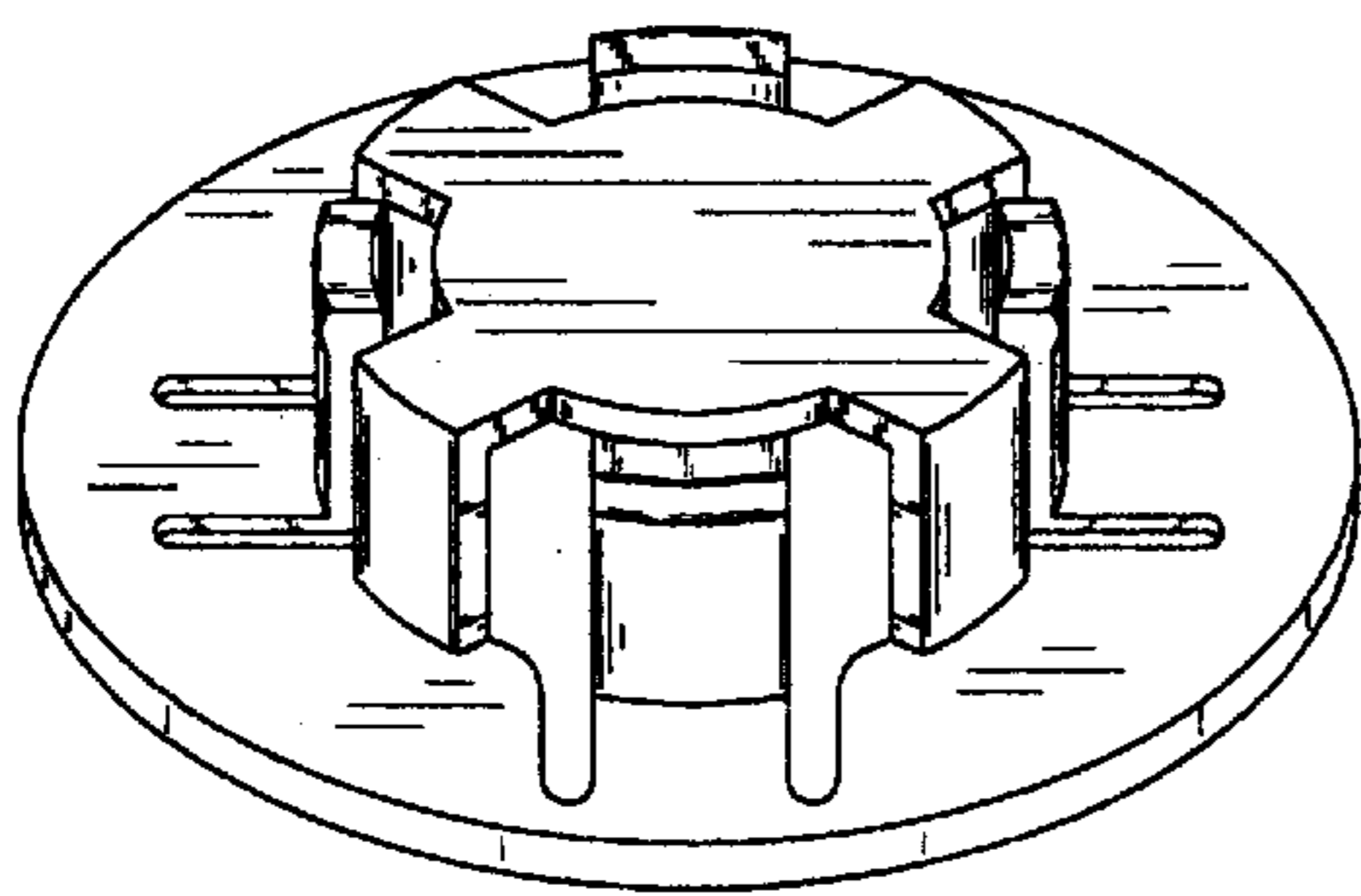


FIG. 2

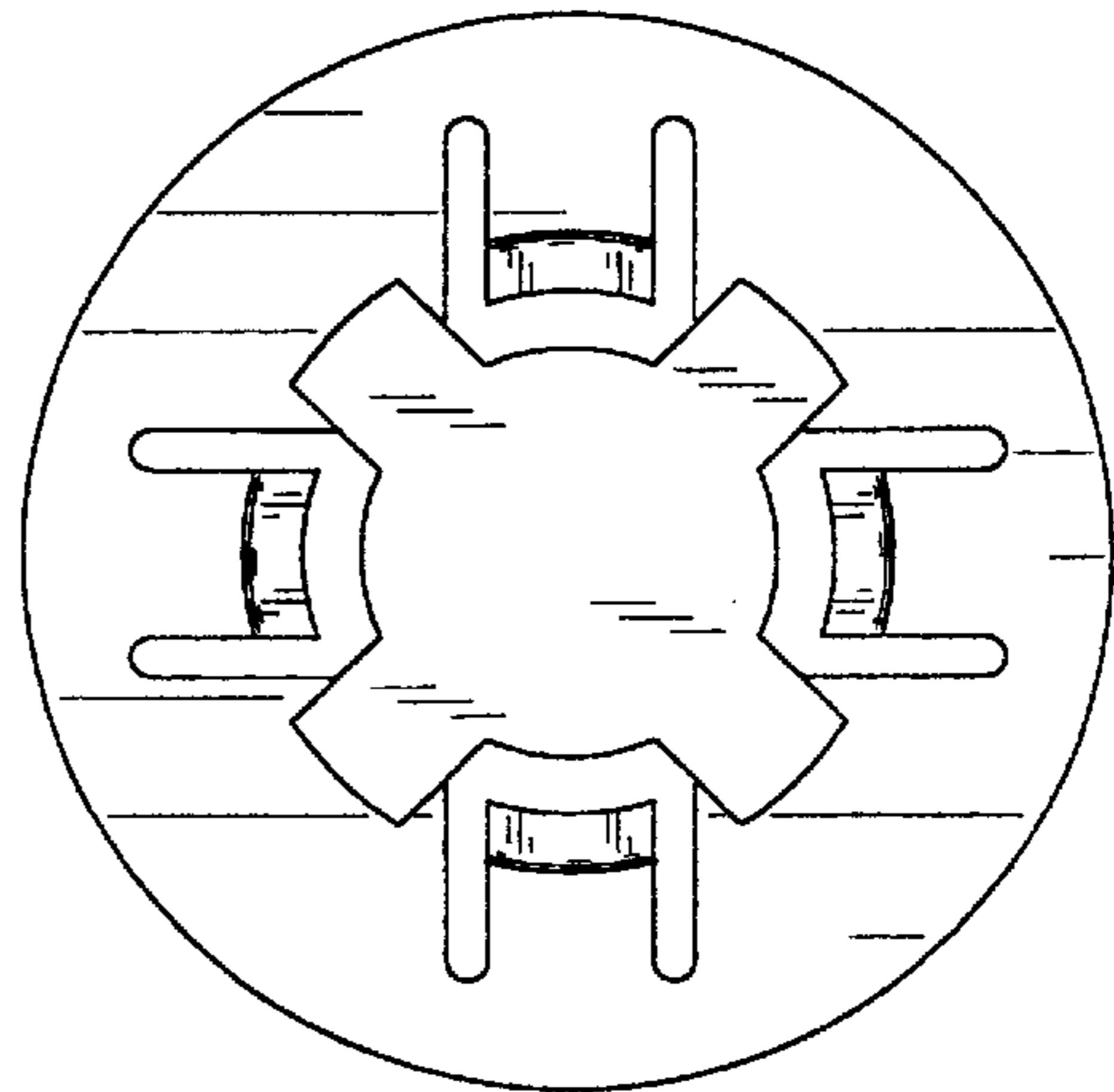


FIG. 3

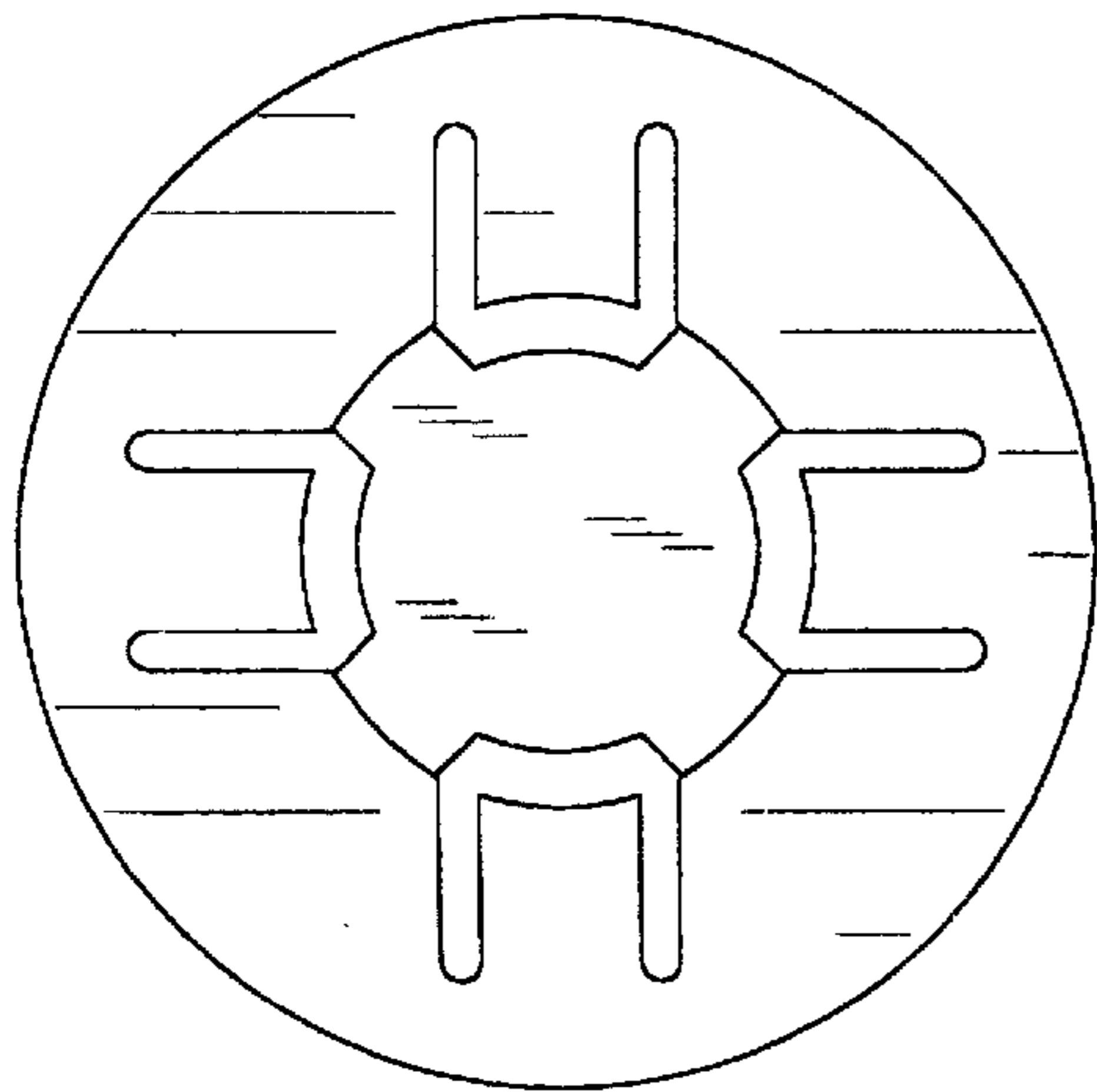


FIG. 5

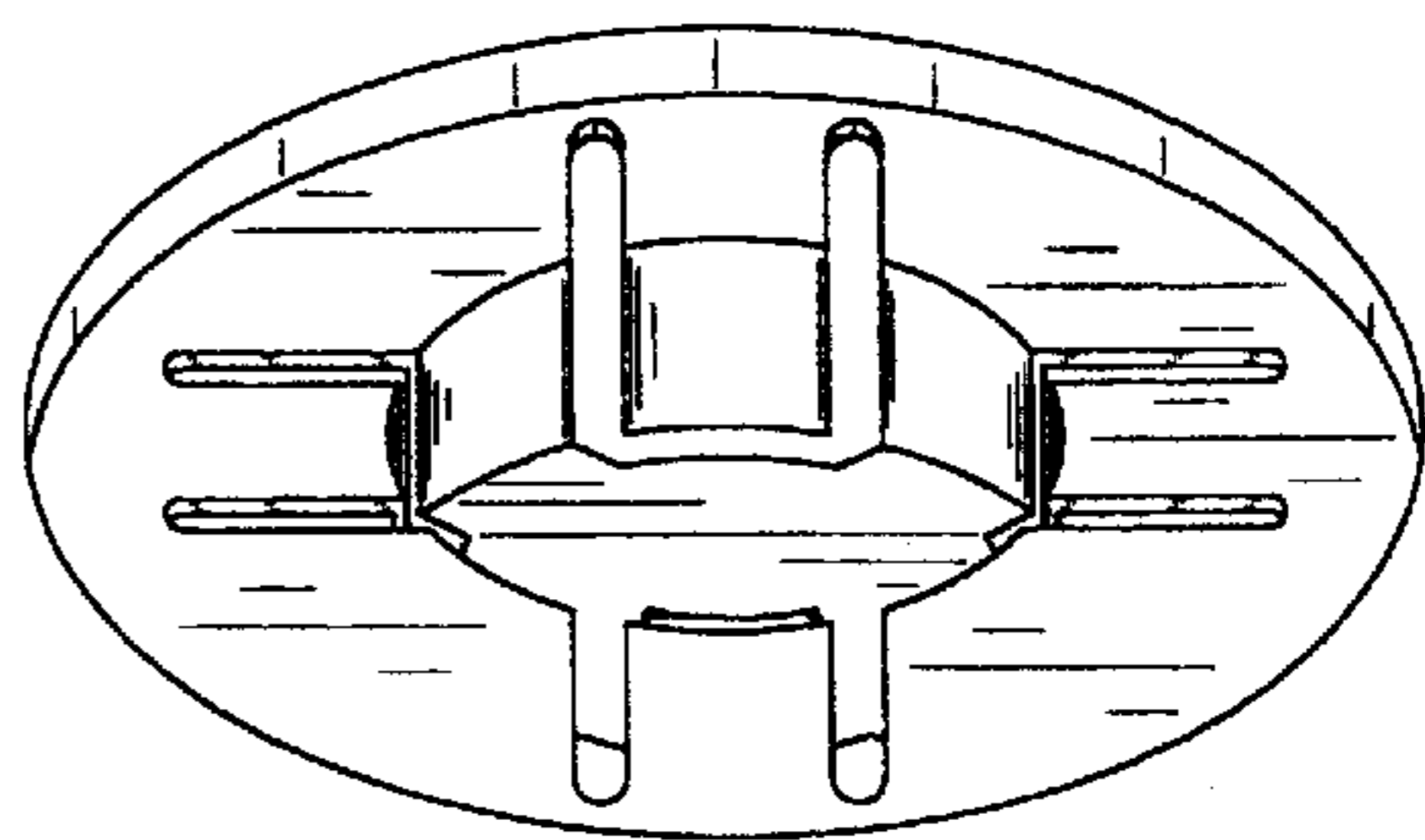


FIG. 4