



US00D455756S

(12) **United States Design Patent**
Tonizzo et al.

(10) **Patent No.:** **US D455,756 S**

(45) **Date of Patent:** **** Apr. 16, 2002**

(54) **KEYBOARD SUPPORT WITH MOUSE PAD**

(75) Inventors: **Davide Tonizzo**, Toronto; **John R. Edwards**, Nobleton, both of (CA)

(73) Assignee: **Inscape Corporation**, Holland Landing (CA)

(**) Term: **14 Years**

(21) Appl. No.: **29/144,576**

(22) Filed: **Jul. 9, 2001**

(30) **Foreign Application Priority Data**

Apr. 26, 2001 (CA) 2001-1089

(51) **LOC (7) Cl.** **14-02**

(52) **U.S. Cl.** **D14/457**

(58) **Field of Search** D14/460, 461, D14/455-457; D18/12; 248/118, 118.1, 118.3, 118.5, 346.01, 917-924; 400/689-693, 715; D6/601; D19/86, 92, 95

(56) **References Cited**

U.S. PATENT DOCUMENTS

- 4,666,118 A 5/1987 Busche
- D357,910 S * 5/1995 Newhouse D14/457
- 5,443,237 A 8/1995 Stadtmauer
- 5,564,667 A 10/1996 Copeland et al.
- 5,636,822 A 6/1997 Hendershot et al.
- 5,730,408 A 3/1998 McAllister et al.
- 5,771,814 A 6/1998 Clausen

- 5,823,487 A 10/1998 Kirchoff et al.
- 5,832,840 A 11/1998 Woof
- 5,848,773 A 12/1998 Bourassa
- D410,453 S * 6/1999 Timm D14/457
- 5,995,082 A 11/1999 Lakoski
- 6,003,446 A 12/1999 Leibowitz
- 6,045,098 A 4/2000 Timm
- D439,910 S * 4/2001 Tonizzo et al. D14/457
- 6,296,215 B1 * 10/2001 McCoy et al. 248/284.1

* cited by examiner

Primary Examiner—Kay H. Chin

(74) *Attorney, Agent, or Firm*—Riches, McKenzie & Herbert LLP

(57) **CLAIM**

We claim the ornamental design for a keyboard support with mouse pad, as shown and described.

DESCRIPTION

FIG. 1 is a perspective view of a keyboard support with mouse pad showing our new design, the broken lines are for illustrative purposes only and form no part of the claimed design;

FIG. 2 is a top plan view thereof;

FIG. 3 is a front elevation view thereof;

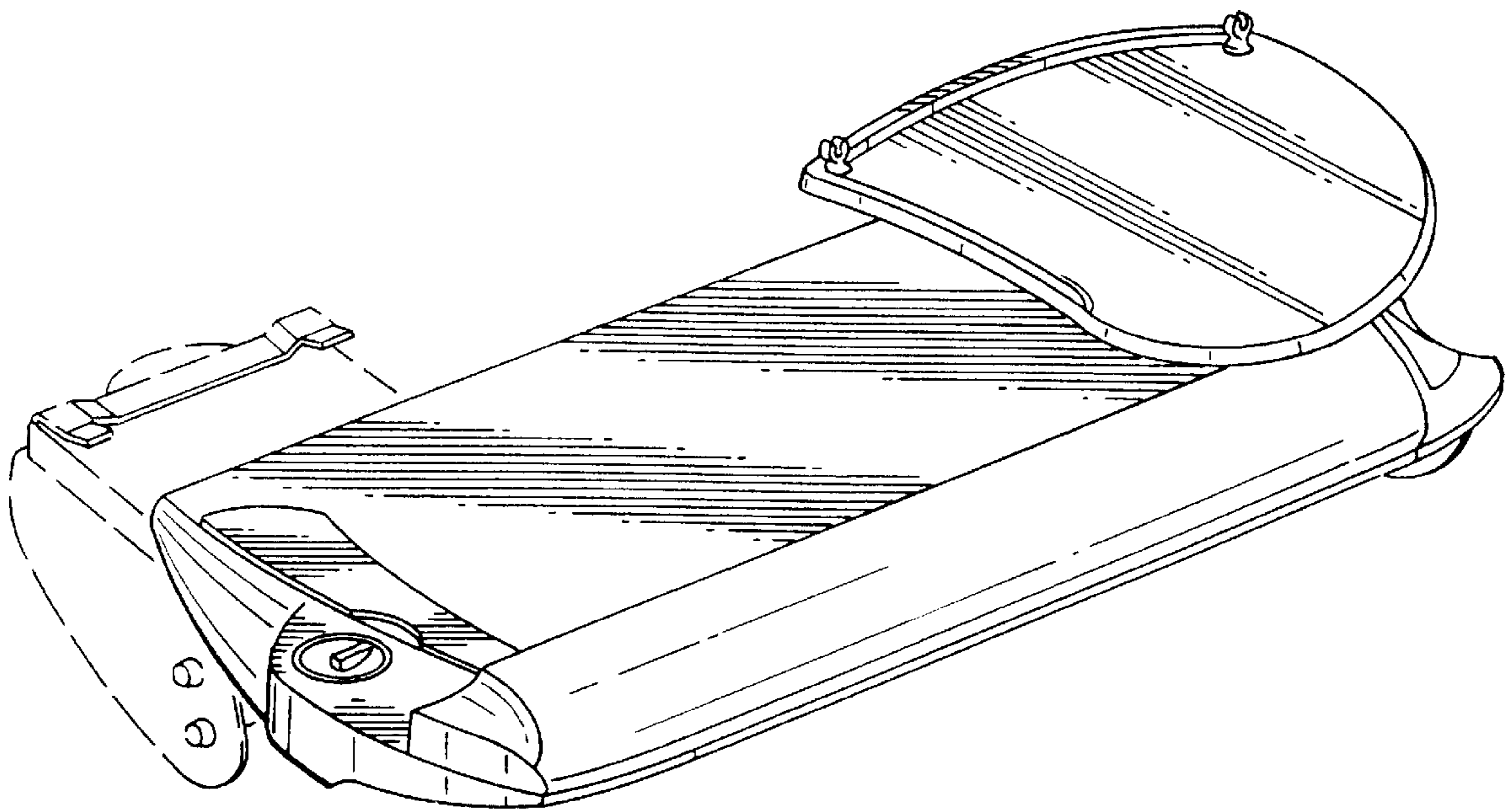
FIG. 4 is a right side elevation view thereof;

FIG. 5 is a rear elevation view thereof;

FIG. 6 is a left side elevation view thereof; and,

FIG. 7 is a bottom plan view thereof.

1 Claim, 7 Drawing Sheets



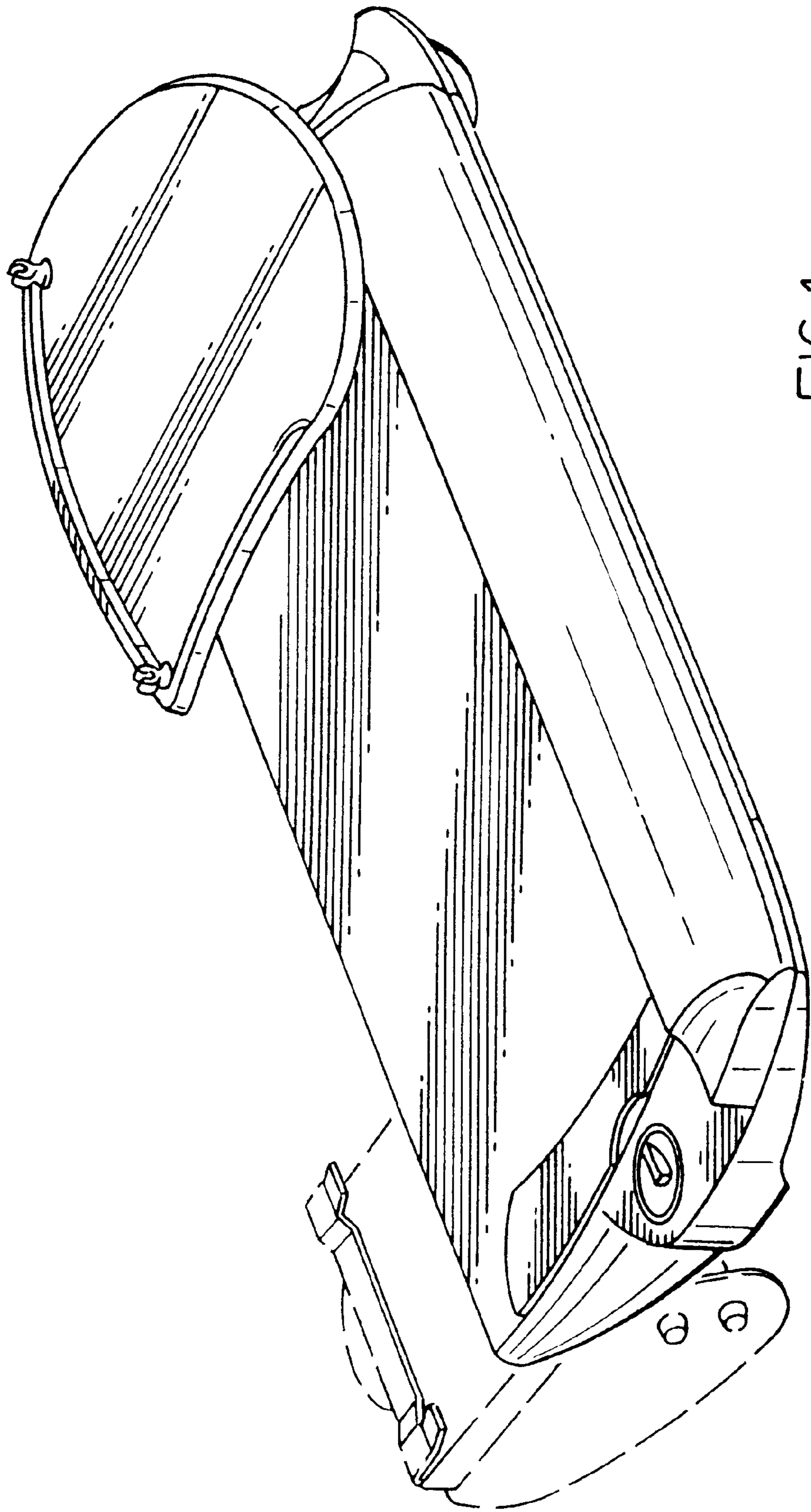
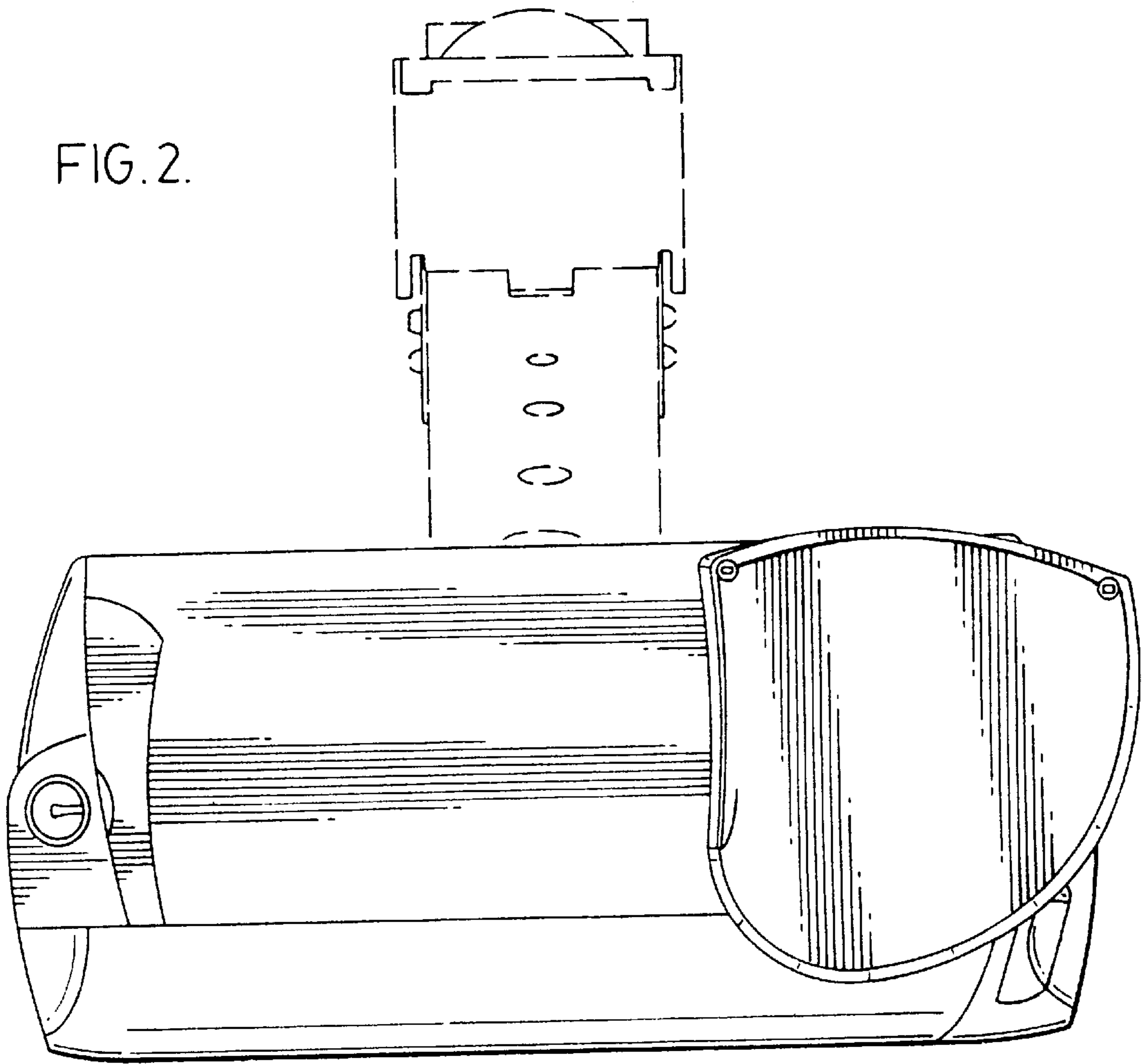


FIG.1.

FIG. 2.



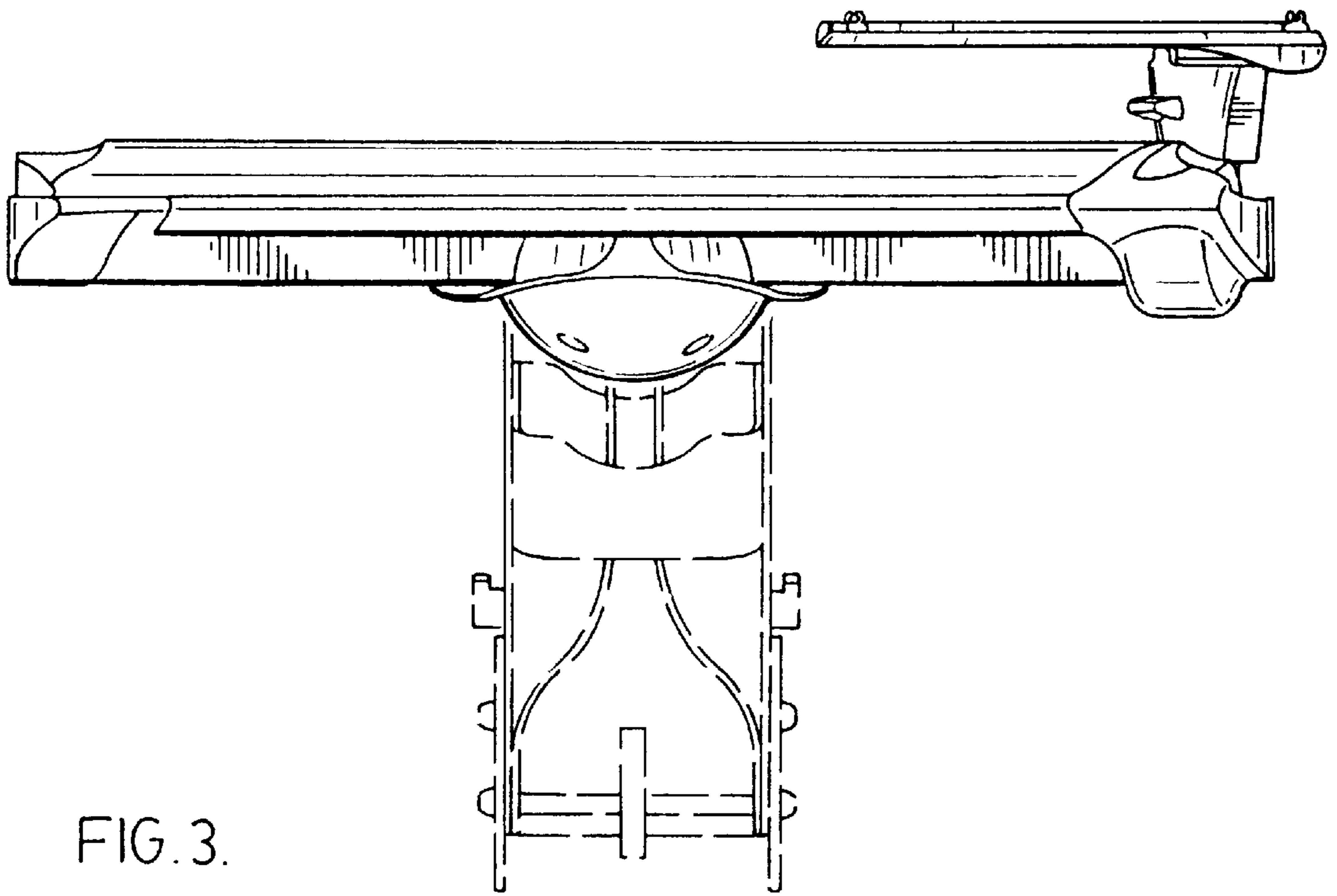


FIG. 3.

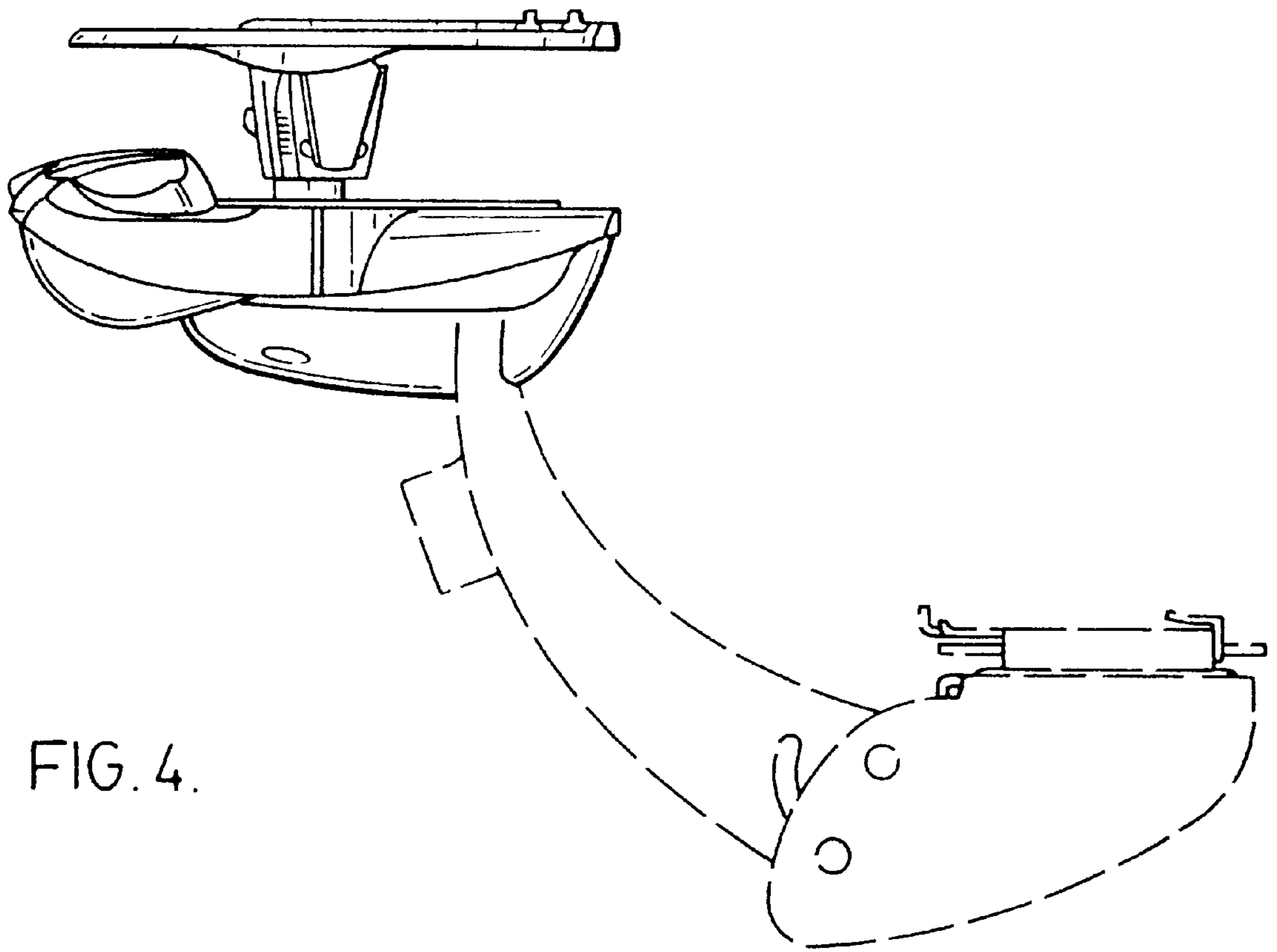


FIG. 4.

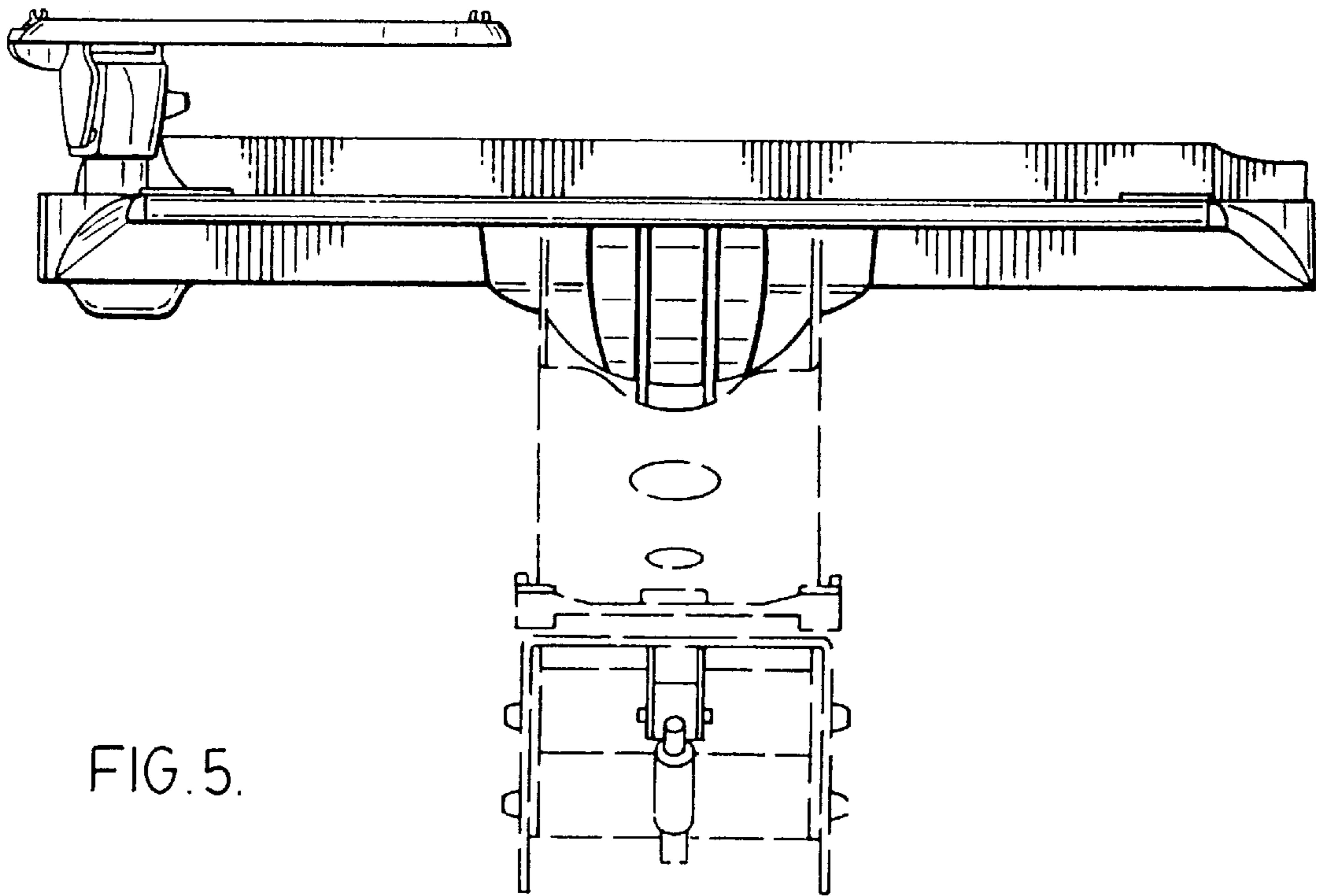


FIG. 6.

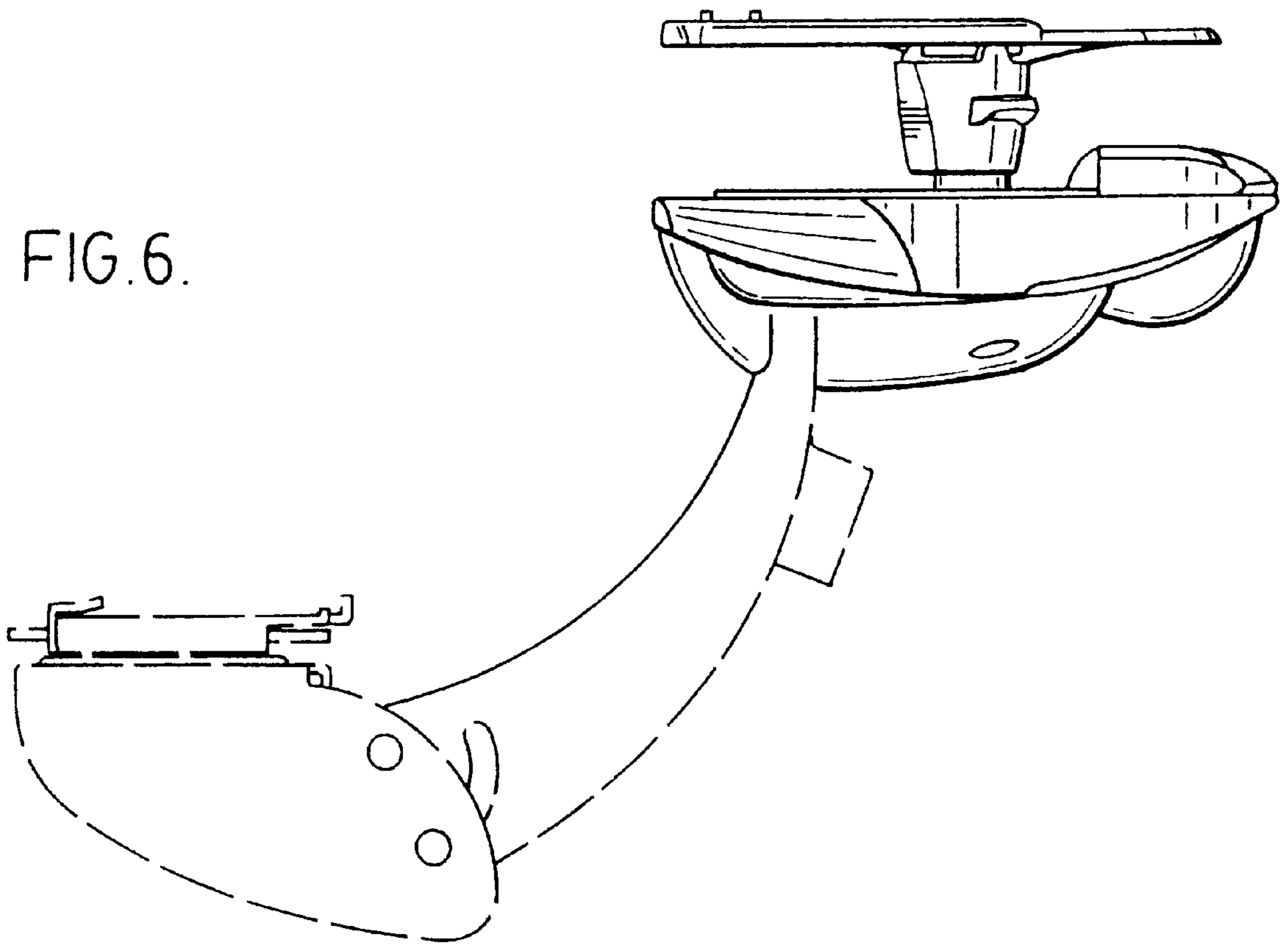


FIG. 7.

