



US00D455753S

(12) **United States Design Patent**  
**Daniels et al.**

(10) **Patent No.:** **US D455,753 S**

(45) **Date of Patent:** **\*\* Apr. 16, 2002**

(54) **FRONT PANEL FOR AN ELECTRONIC DEVICE**

D345,733 S \* 4/1994 Aderman ..... D14/445  
D360,628 S \* 7/1995 Nogas ..... D14/445  
D433,418 S \* 11/2000 Newman et al. .... D14/444

(75) Inventors: **George R. Daniels**, Houston; **Keith J. Kuehn**, Spring, both of TX (US);  
**Michael A. Simonian**, San Francisco, CA (US)

\* cited by examiner

*Primary Examiner*—Freda Nunn

(74) *Attorney, Agent, or Firm*—Fletcher, Yoder & Van Someren

(73) Assignee: **Compaq Computer Corporation**, Houston, TX (US)

(57) **CLAIM**

(\*\*) Term: **14 Years**

The ornamental design for a front panel for an electronic device, as shown and described.

(21) Appl. No.: **29/134,508**

**DESCRIPTION**

(22) Filed: **Dec. 22, 2000**

FIG. 1 is a front perspective view of a front panel for an electronic device in accordance with our design;

(51) **LOC (7) Cl.** ..... **14-02**

FIG. 2 is a front elevational view thereof;

(52) **U.S. Cl.** ..... **D14/446**

FIG. 3 is a top view thereof;

(58) **Field of Search** ..... D14/441-446,  
D14/450; D13/162, 184, 199; 312/223.1-223.3;  
361/680-686; D20/42

FIG. 4 is a bottom view thereof; and,

FIG. 5 is a left side view thereof, the right side being a mirror image of the left side.

(56) **References Cited**

The broken lines provided in the above views are used to indicate environmental structure and form no part of the design.

**U.S. PATENT DOCUMENTS**

D283,894 S \* 5/1986 Gubser et al. .... D14/446

**1 Claim, 2 Drawing Sheets**

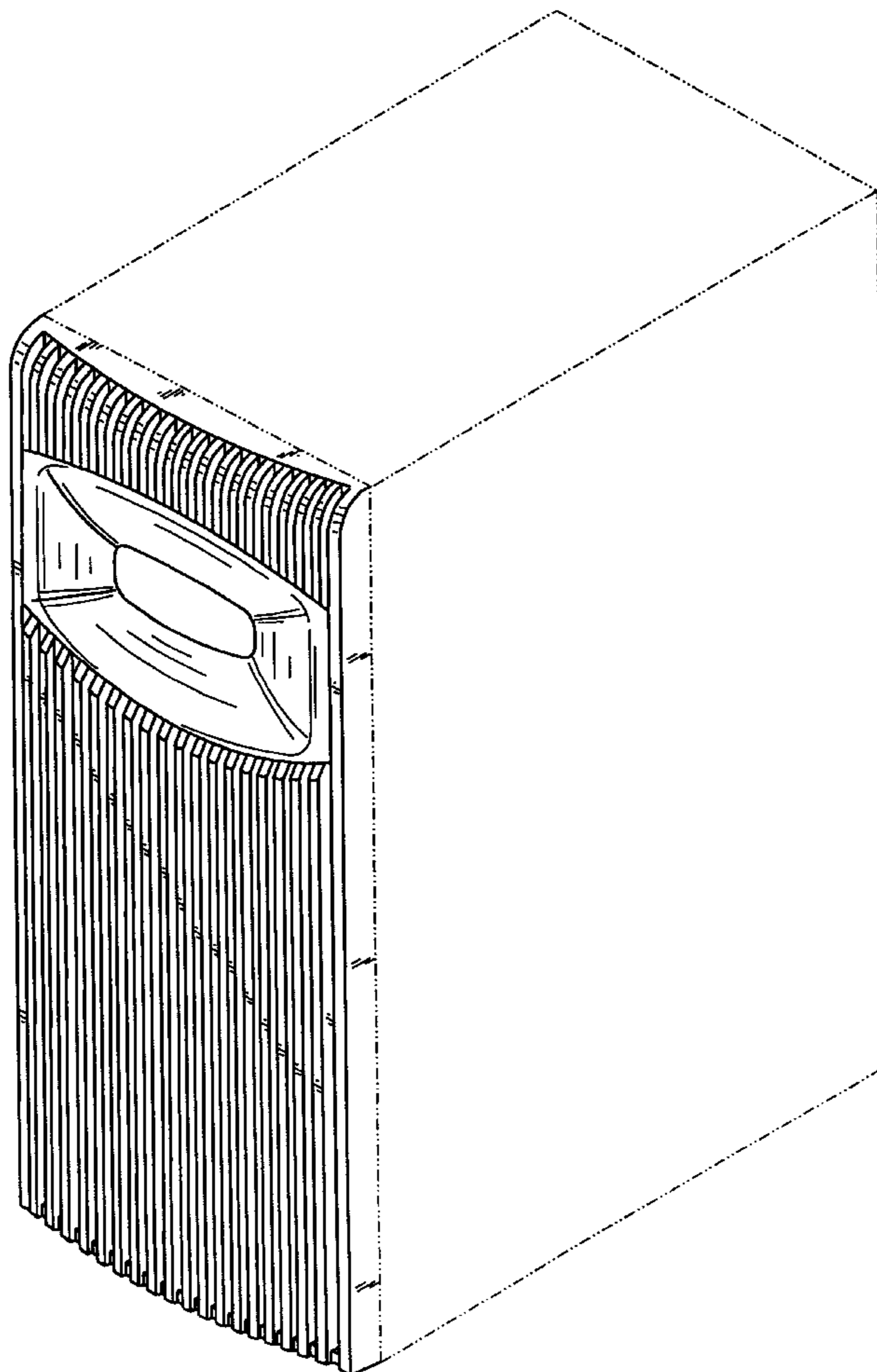


FIG. 1

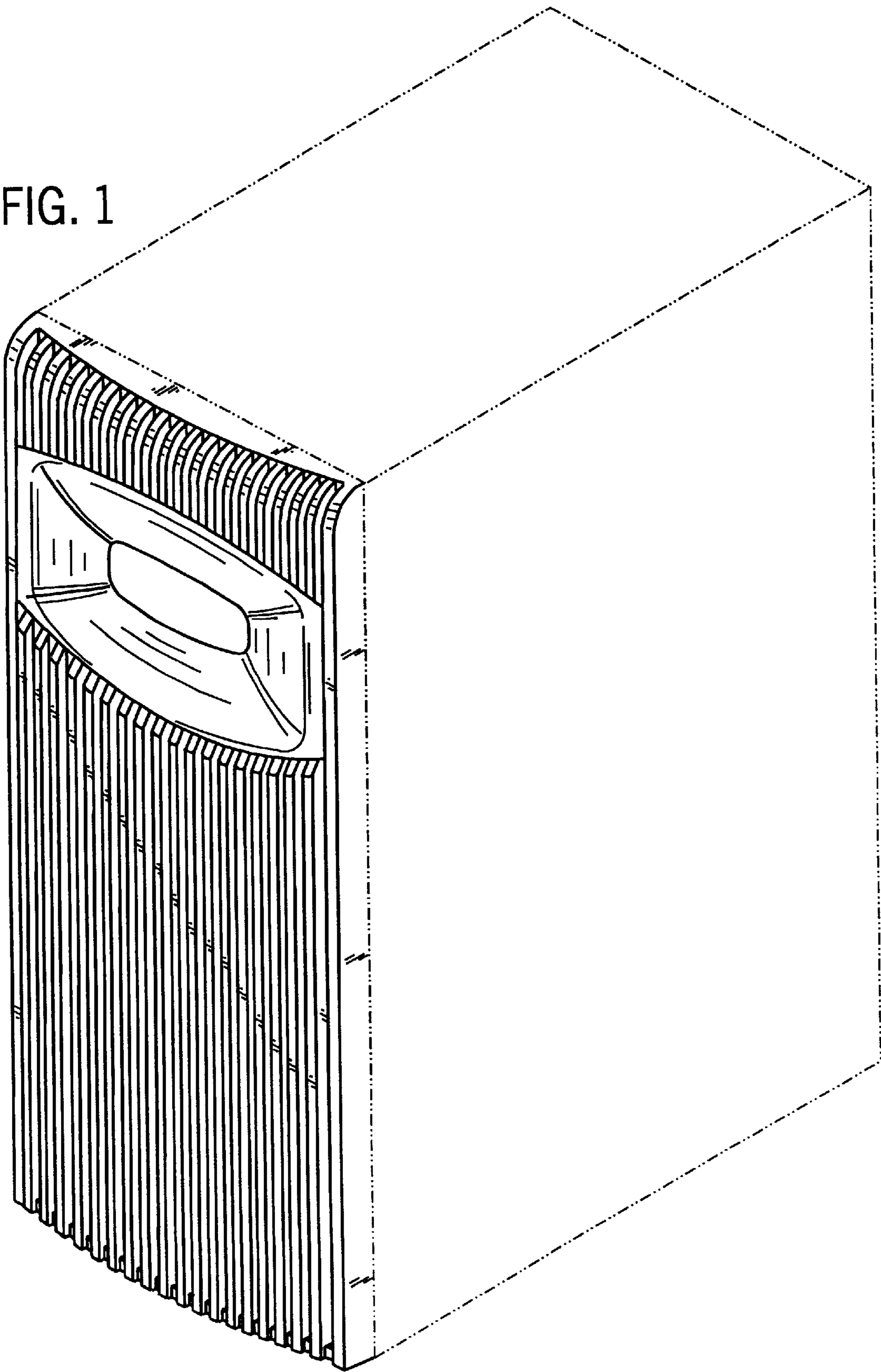


FIG. 5

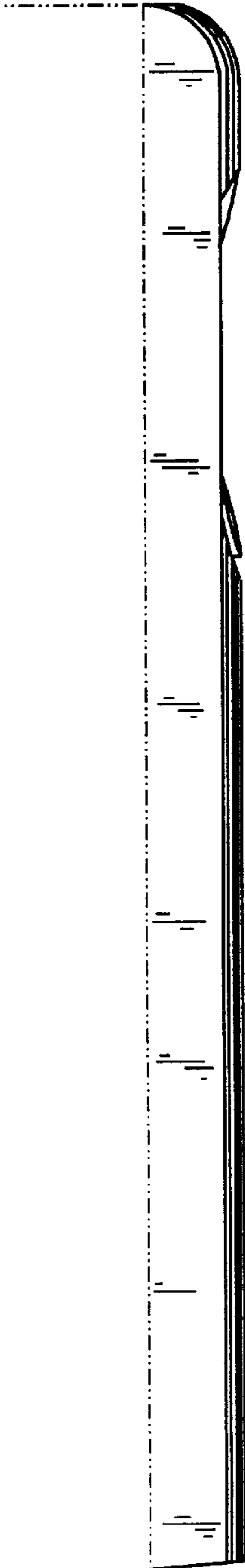


FIG. 3

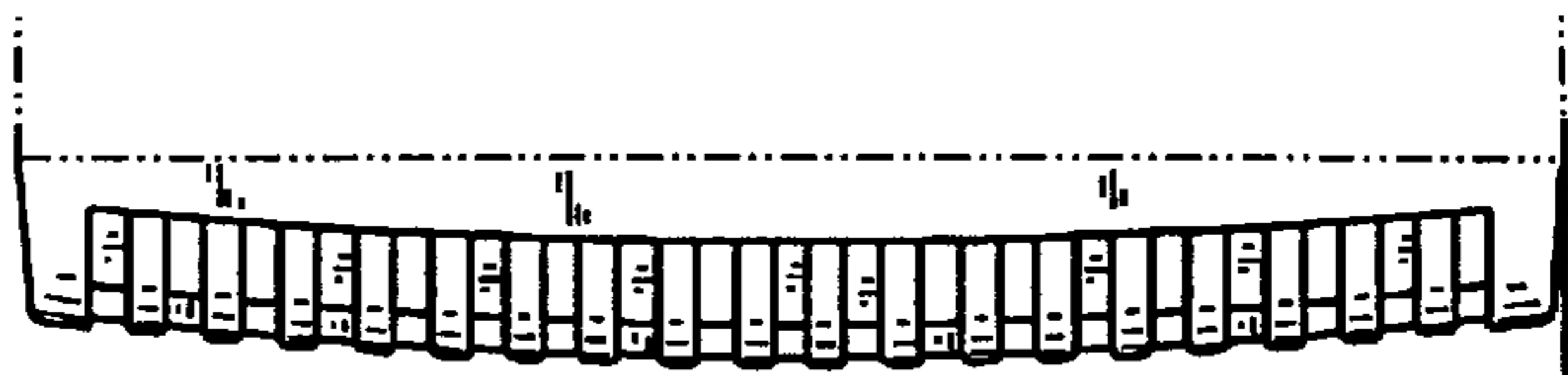


FIG. 2

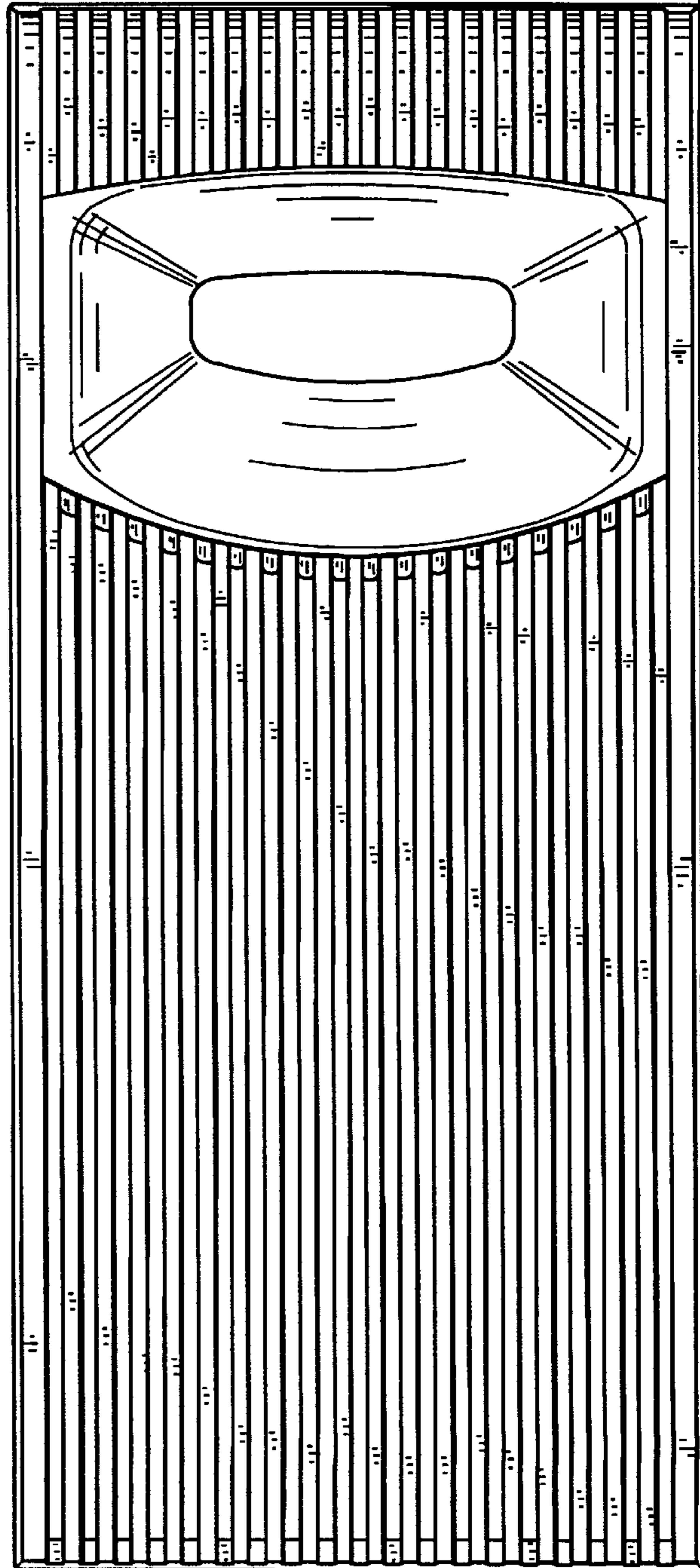


FIG. 4

