



US00D455752S

(12) **United States Design Patent**
Gant et al.

(10) **Patent No.:** **US D455,752 S**

(45) **Date of Patent:** **** Apr. 16, 2002**

(54) **FRONT PANEL FOR A DRIVE CARRIER**

6,067,225 A * 5/2000 Reznikov et al. 361/685
D434,774 S * 12/2000 Alo et al. D14/442

(75) Inventors: **Scott R. Gant**, Houston, TX (US); **Eric R. Edstrom**, Colorado Springs, CO (US); **John H. Marino**, Cypress, TX (US)

* cited by examiner

Primary Examiner—Freda Nunn

(74) *Attorney, Agent, or Firm*—Fletcher, Yoder & Van Someren

(73) Assignee: **Compaq Computer corporation**, Houston, TX (US)

(57) **CLAIM**

(**) Term: **14 Years**

The ornamental design for a front panel for a drive carrier, as shown and described.

(21) Appl. No.: **29/137,162**

DESCRIPTION

(22) Filed: **Feb. 14, 2001**

(51) **LOC (7) Cl.** **14-02**

(52) **U.S. Cl.** **D14/442**

(58) **Field of Search** D14/441-446,
D14/367; D13/162, 184, 199, 164, 177;
312/223.2; 361/680-686

FIG. 1 is a front perspective view of a front panel for a drive carrier in accordance with our design;
FIG. 2 is a front elevational view thereof;
FIG. 3 is a top view thereof;
FIG. 4 is a bottom view thereof;
FIG. 5 is a left side view thereof; and,
FIG. 6 is a right side view thereof.

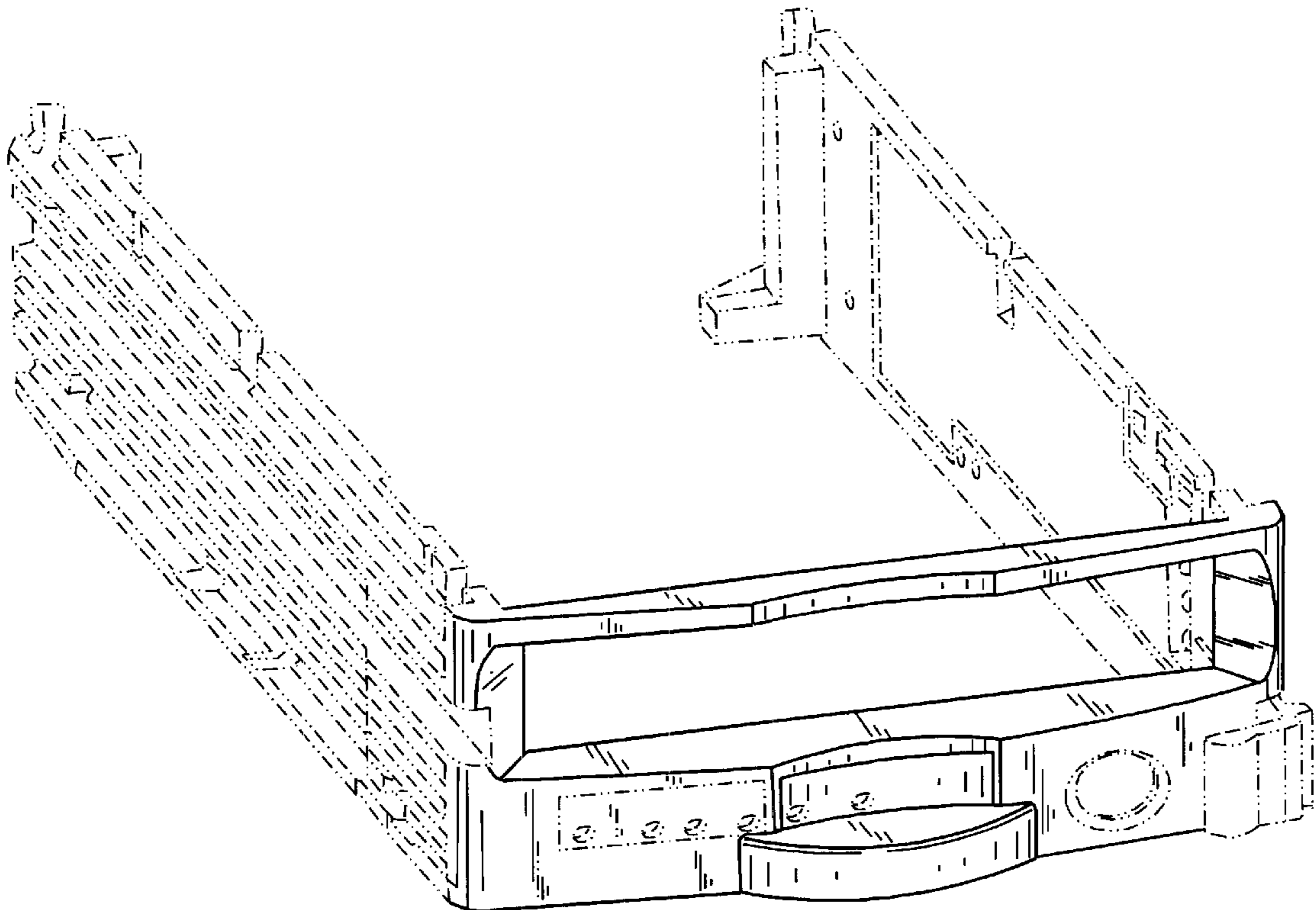
The broken lines provided in the above views are used to indicate environmental structure and form no part of the design.

(56) **References Cited**

U.S. PATENT DOCUMENTS

D358,141 S * 5/1995 Pecone et al. D14/367
5,563,767 A * 10/1996 Chen 361/685

1 Claim, 3 Drawing Sheets



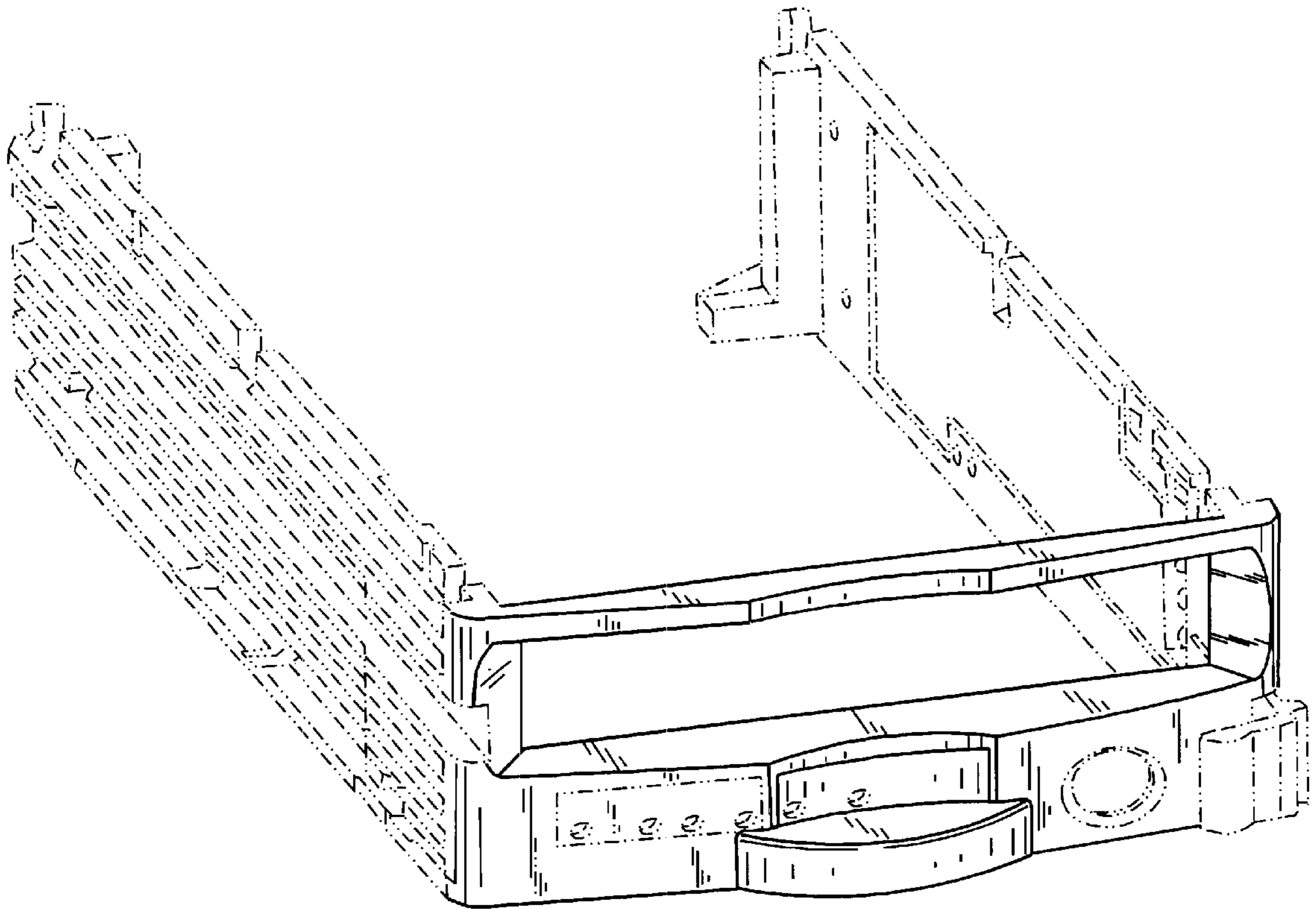


FIG. 1

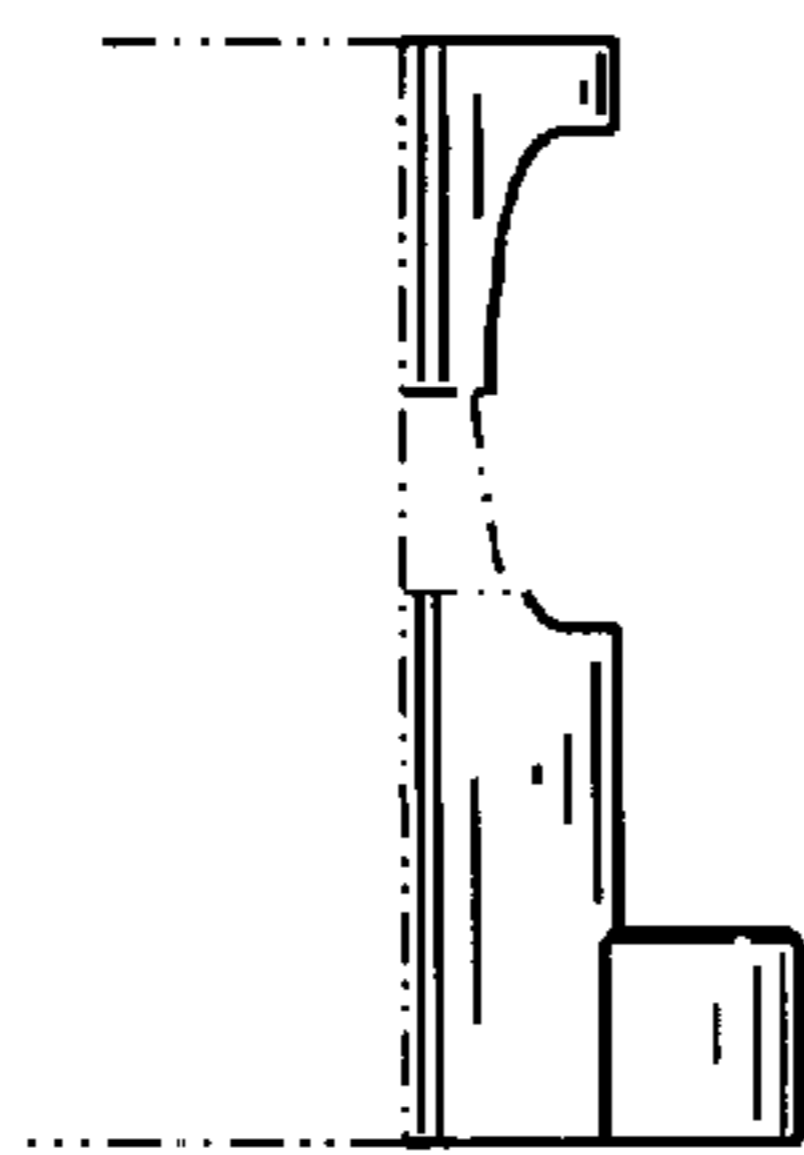


FIG. 5

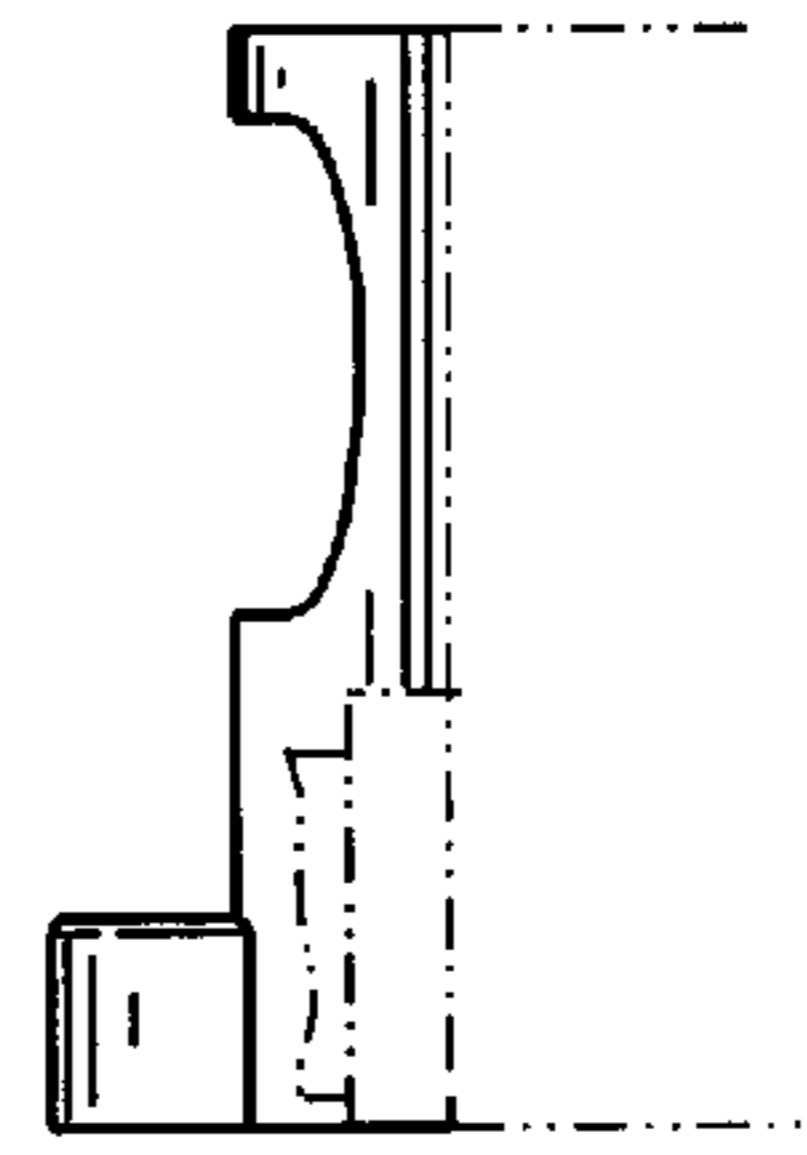


FIG. 6

FIG. 2

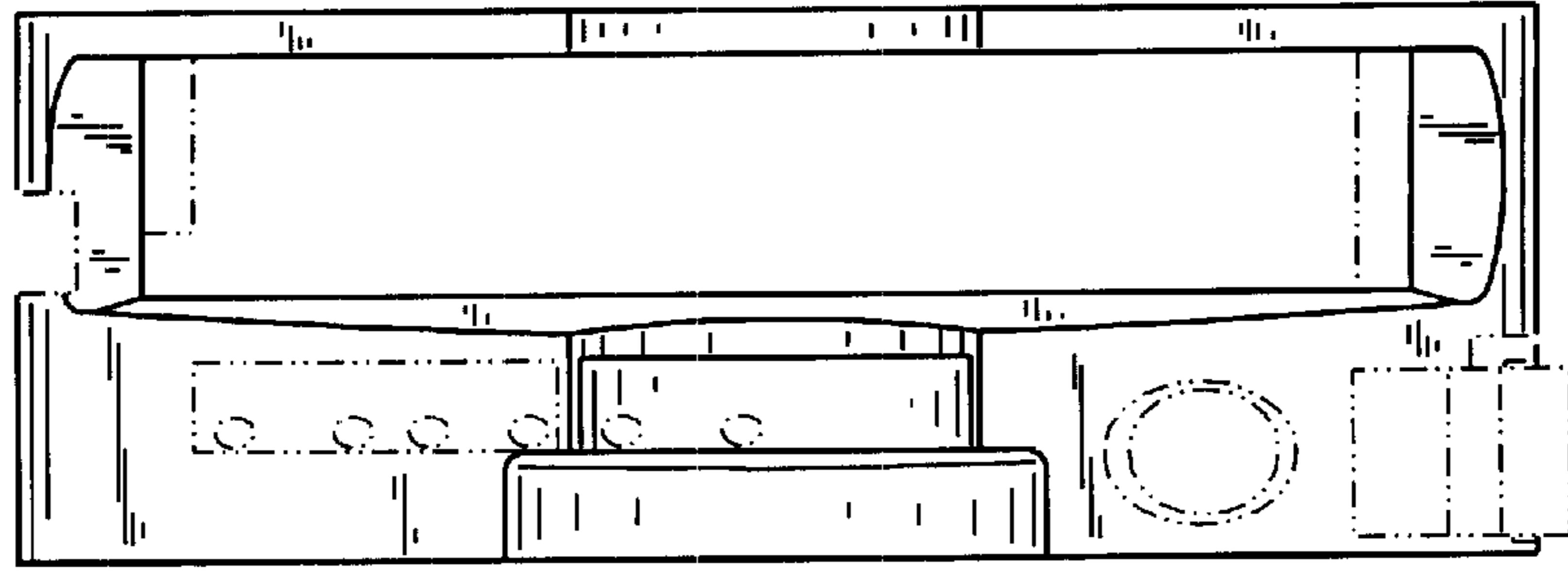


FIG. 3

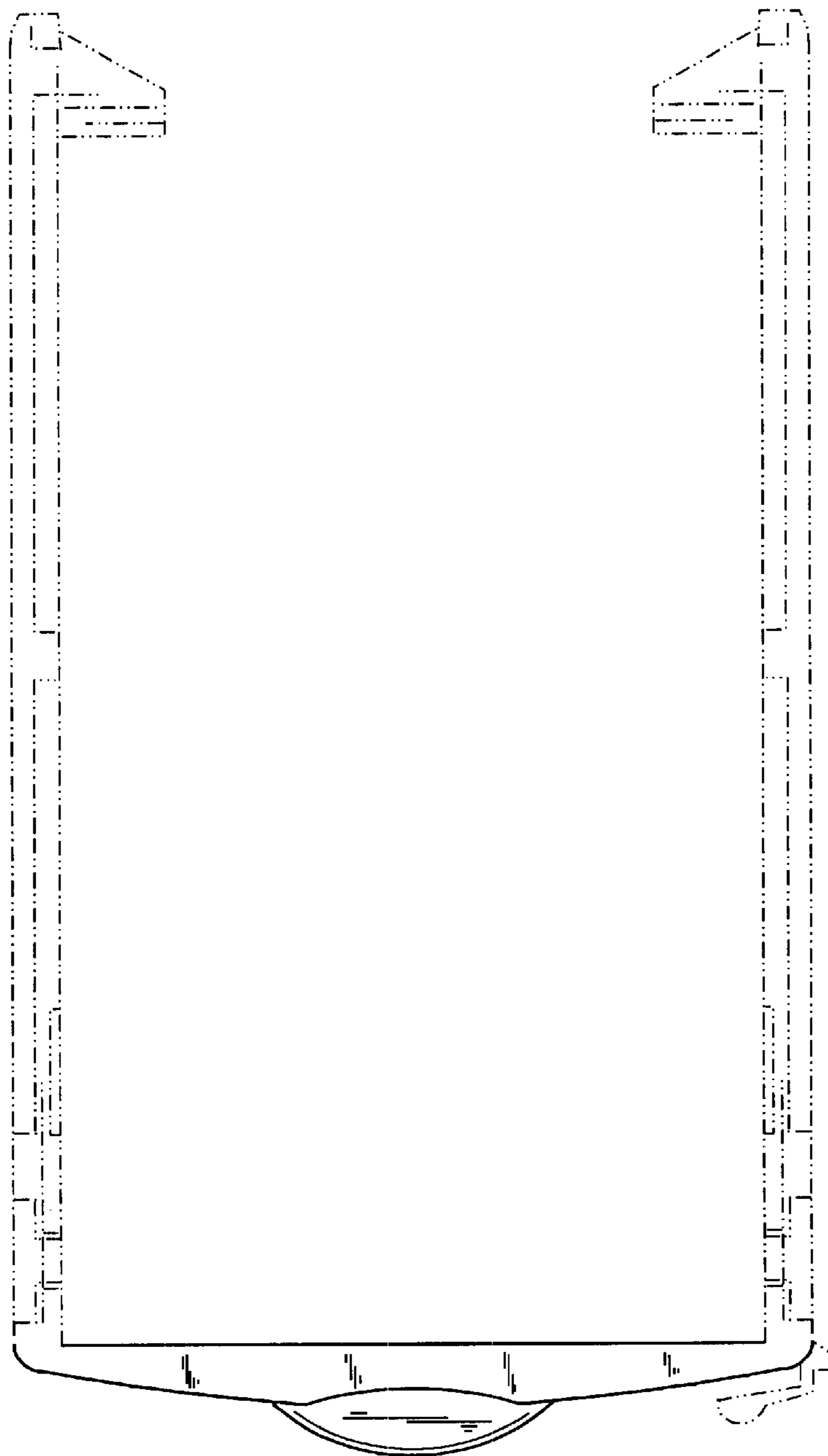


FIG. 4

