



US00D455750S

(12) **United States Design Patent**  
**Krantz**

(10) **Patent No.:** **US D455,750 S**

(45) **Date of Patent:** **\*\* Apr. 16, 2002**

(54) **HAND-HELD SCANNING TOOL**

(75) Inventor: **Norman L. Krantz**, San Jose, CA (US)

(73) Assignee: **Zircon Corporation**, Campbell, CA (US)

(\*\*) Term: **14 Years**

(21) Appl. No.: **29/127,717**

(22) Filed: **Aug. 10, 2000**

(51) **LOC (7) Cl.** ..... **14-02**

(52) **U.S. Cl.** ..... **D14/426**

(58) **Field of Search** ..... D14/420-31; D19/41-51;  
235/375, 378, 385, 454, 486, 462.15, 472.02;  
382/315-15, 318-19, 321; 250/203.1, 216,  
566; D26/37, 45, 50

(56) **References Cited**

**U.S. PATENT DOCUMENTS**

- D340,450 S \* 10/1993 Tso
- D342,490 S \* 12/1993 Tzu-chin
- D353,134 S \* 12/1994 Etoh
- D358,386 S \* 5/1995 McVicar et al.
- D414,760 S \* 10/1999 Hetfield et al.
- D417,445 S \* 12/1999 Chacon et al.
- D419,545 S \* 1/2000 Krantz
- D419,546 S 1/2000 Krantz et al.

**OTHER PUBLICATIONS**

Stanley "Stud Edge" Scanning Tool (4 pages), on sale before Aug. 13, 1998.

National Model EZ380B Scanning Tool (5 pages), on sale before Aug. 13, 1998.

Tajima Model WSC-DX Scanning Tool (2 pages), on sale before Aug. 13, 1998.

Zircon, "Triscanner" Scanning Tool (1 page), on sale before Aug. 10, 1999.

\* cited by examiner

*Primary Examiner*—M. H. Tung

(74) *Attorney, Agent, or Firm*—SAIDMAN DesignLaw Group

(57) **CLAIM**

The ornamental design for a hand-held scanning tool, as shown and described.

**DESCRIPTION**

FIG. 1 is a perspective view of a hand-held scanning tool showing my new design;

FIG. 2 is a perspective view thereof, the broken line drawing of a belt-clip is cut away to more clearly show the claimed subject matter beneath the unclaimed subject matter;

FIG. 3 is a top view thereof;

FIG. 4 is a top view thereof, the broken line drawing of a belt-clip is cut away to more clearly show the claimed subject matter beneath the unclaimed subject matter;

FIG. 5 is a left side view thereof;

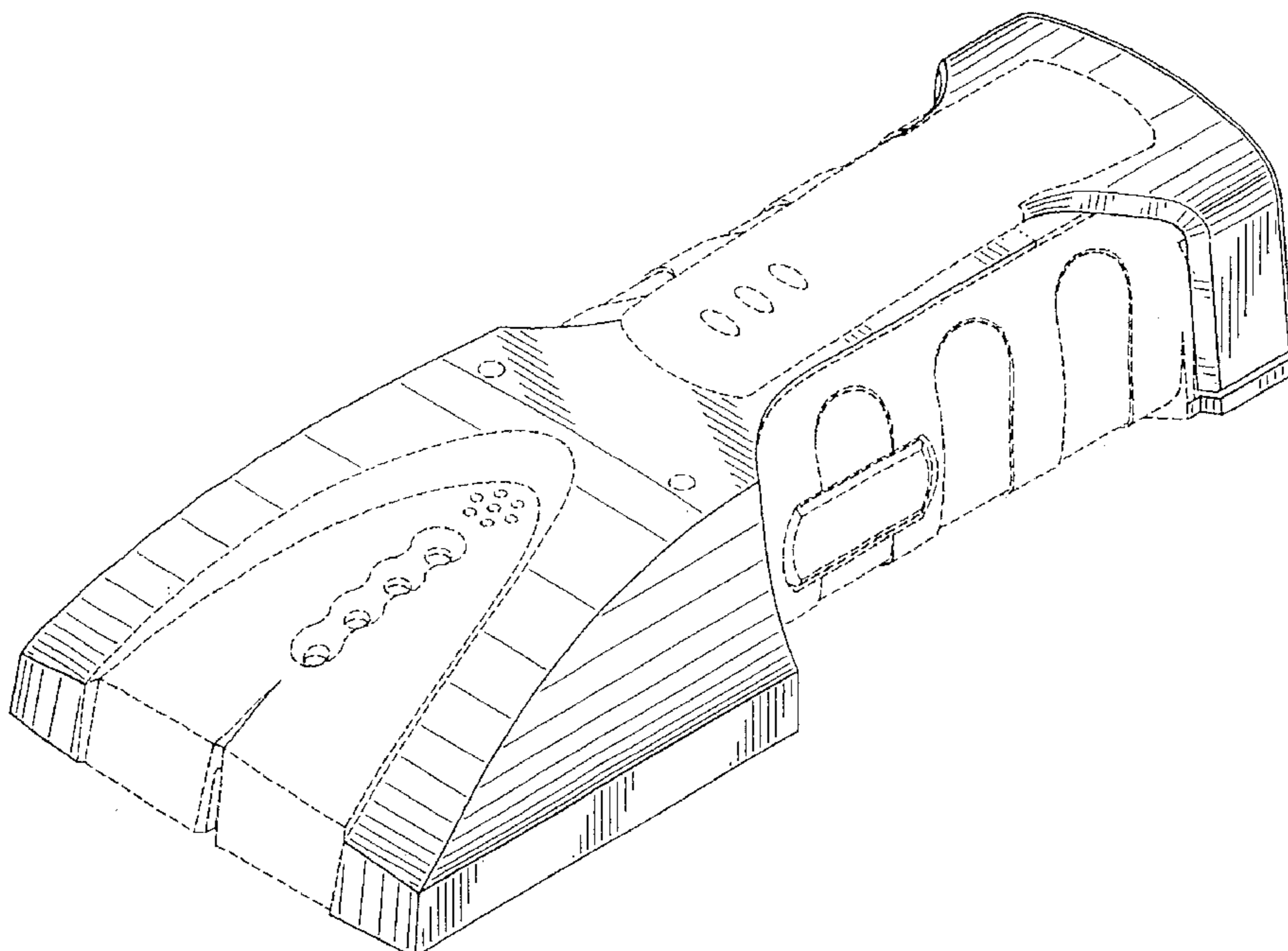
FIG. 6 is a right side view thereof;

FIG. 7 is front view thereof; and,

FIG. 8 is a rear view thereof.

The bottom view has been omitted and forms no part of the claimed design. The broken lines shown in all views represent environmental subject matter and form no part of the claimed design. The dotted lines shown in FIGS. 2 and 4 represent the border between claimed subject matter and unclaimed environmental subject matter and form no part of the claimed design.

**1 Claim, 6 Drawing Sheets**



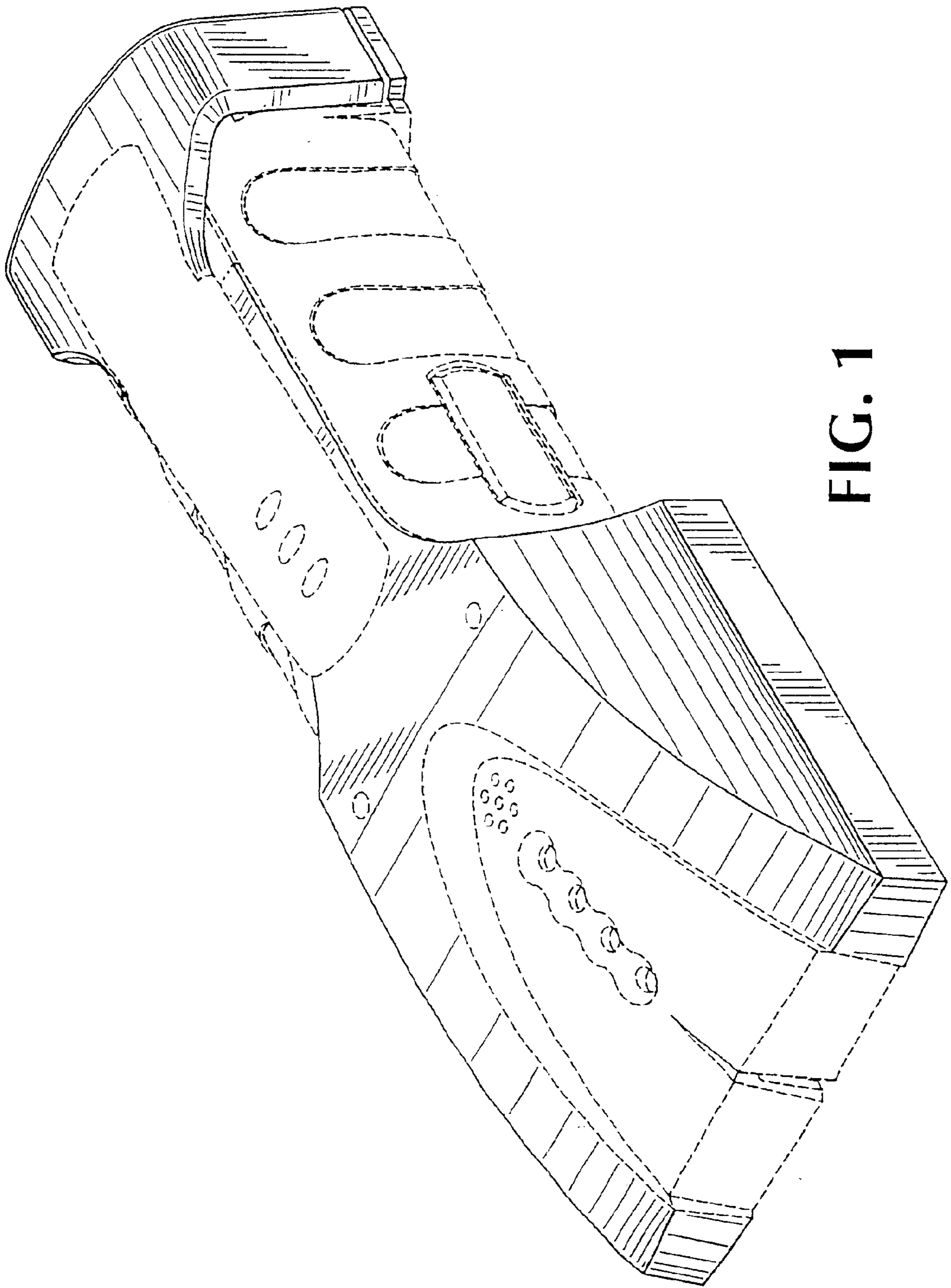


FIG. 1

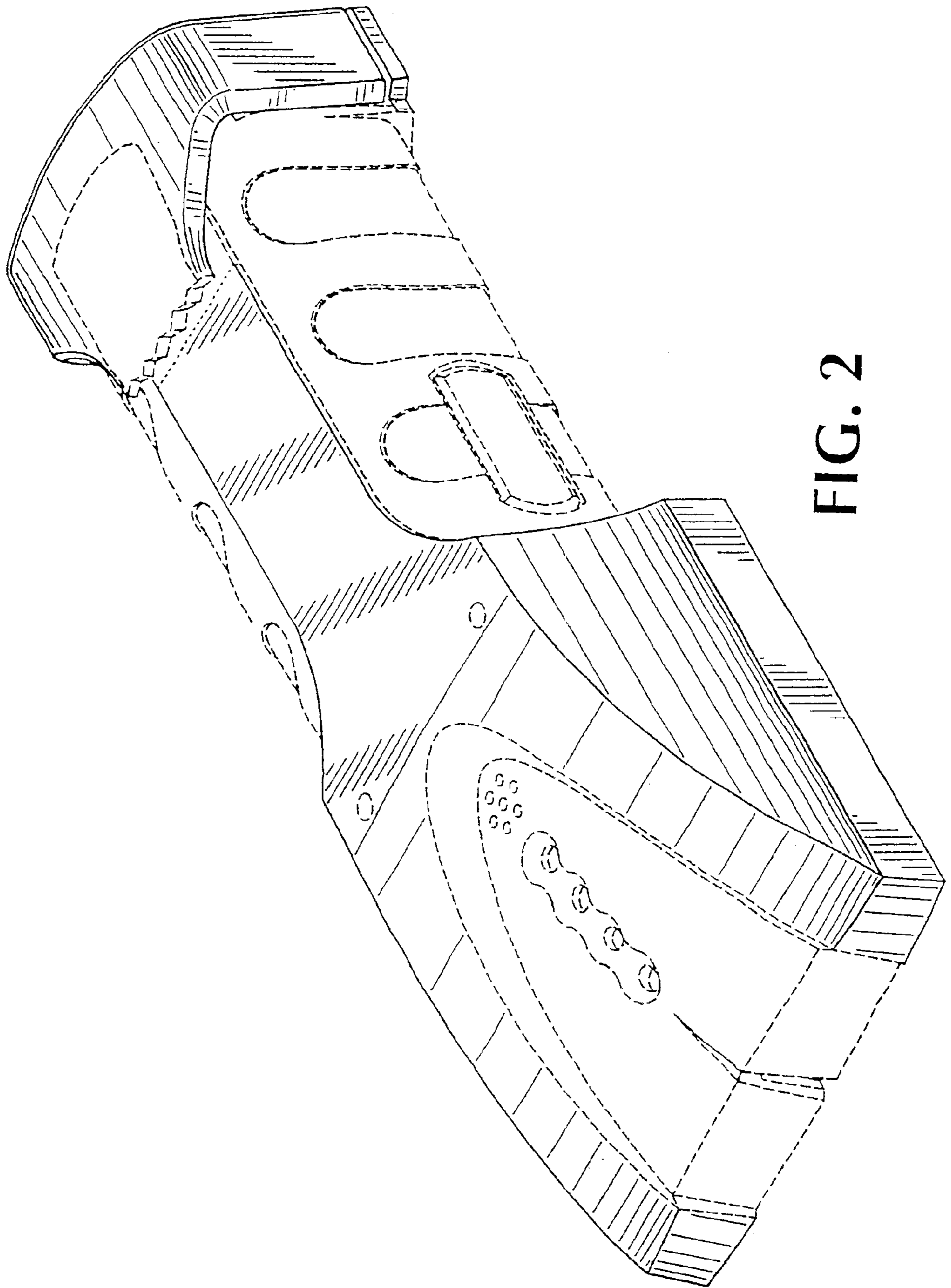


FIG. 2

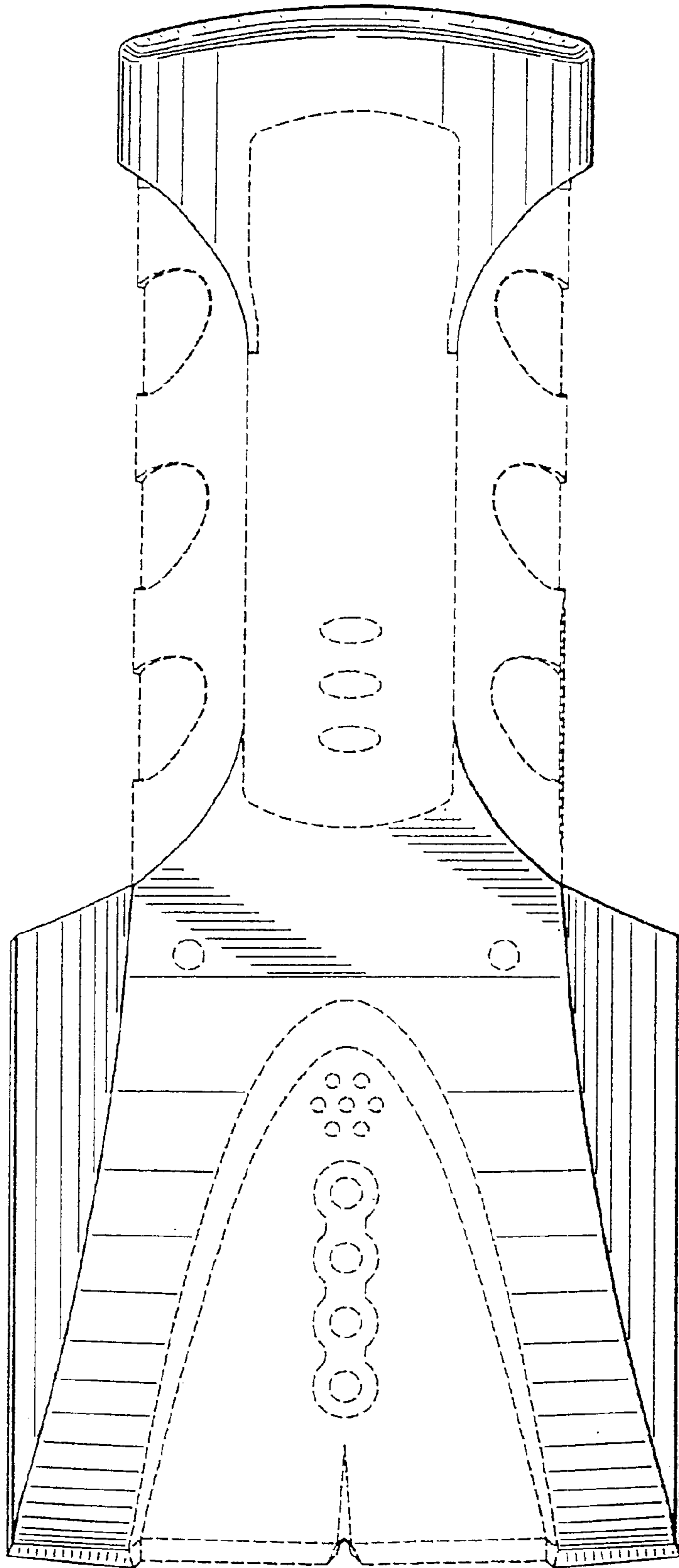


FIG. 3

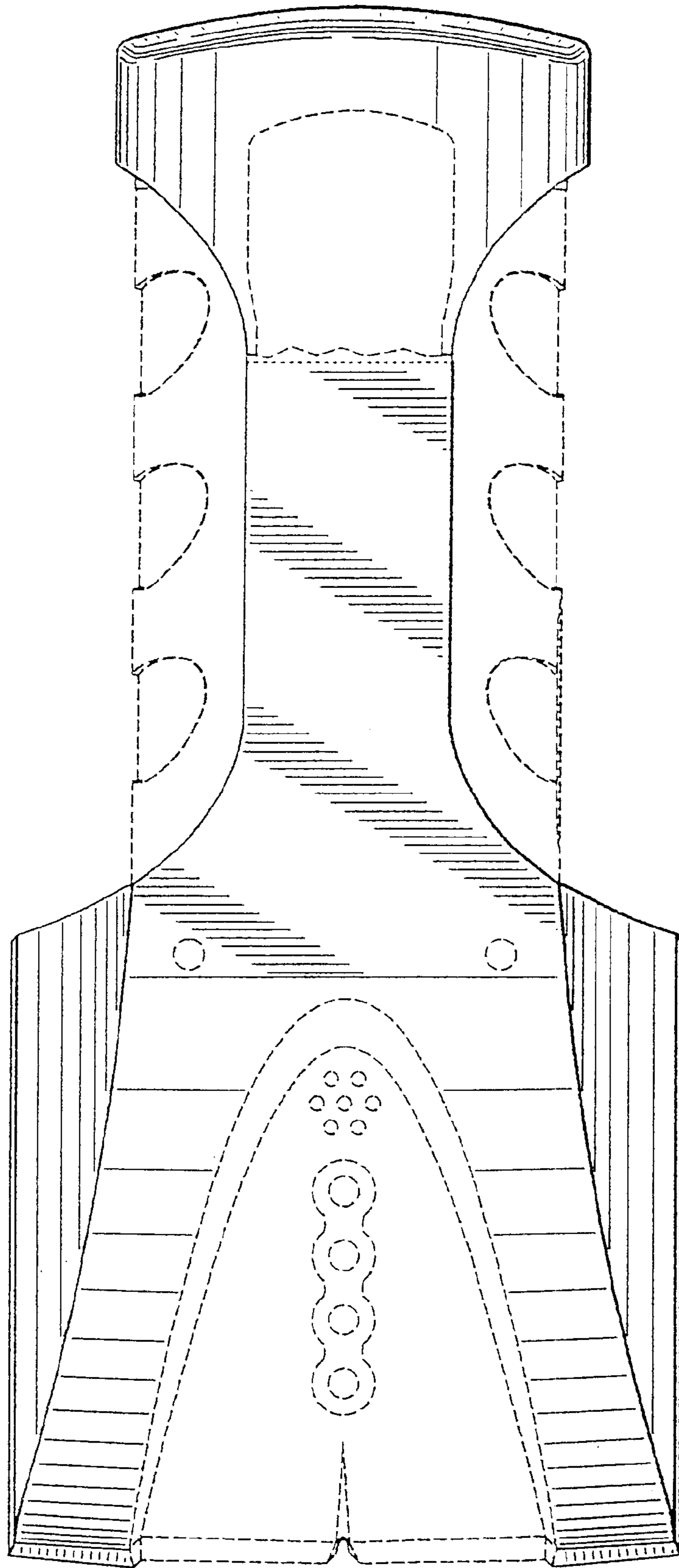


FIG. 4

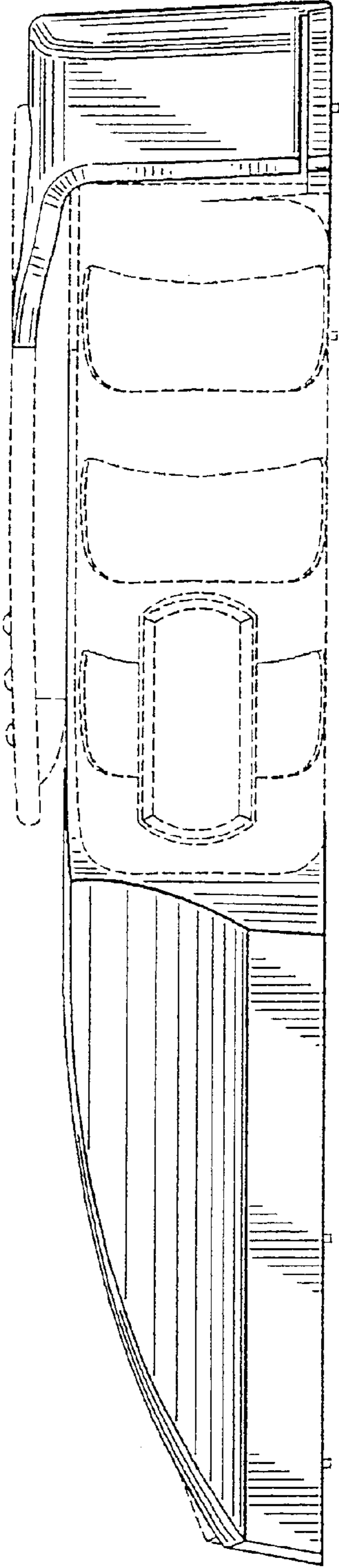


FIG. 5

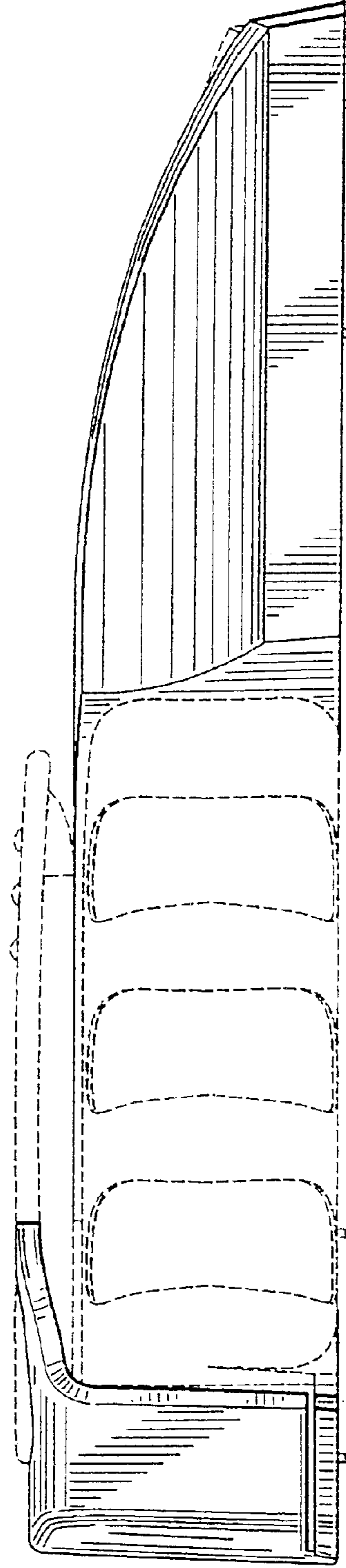


FIG. 6

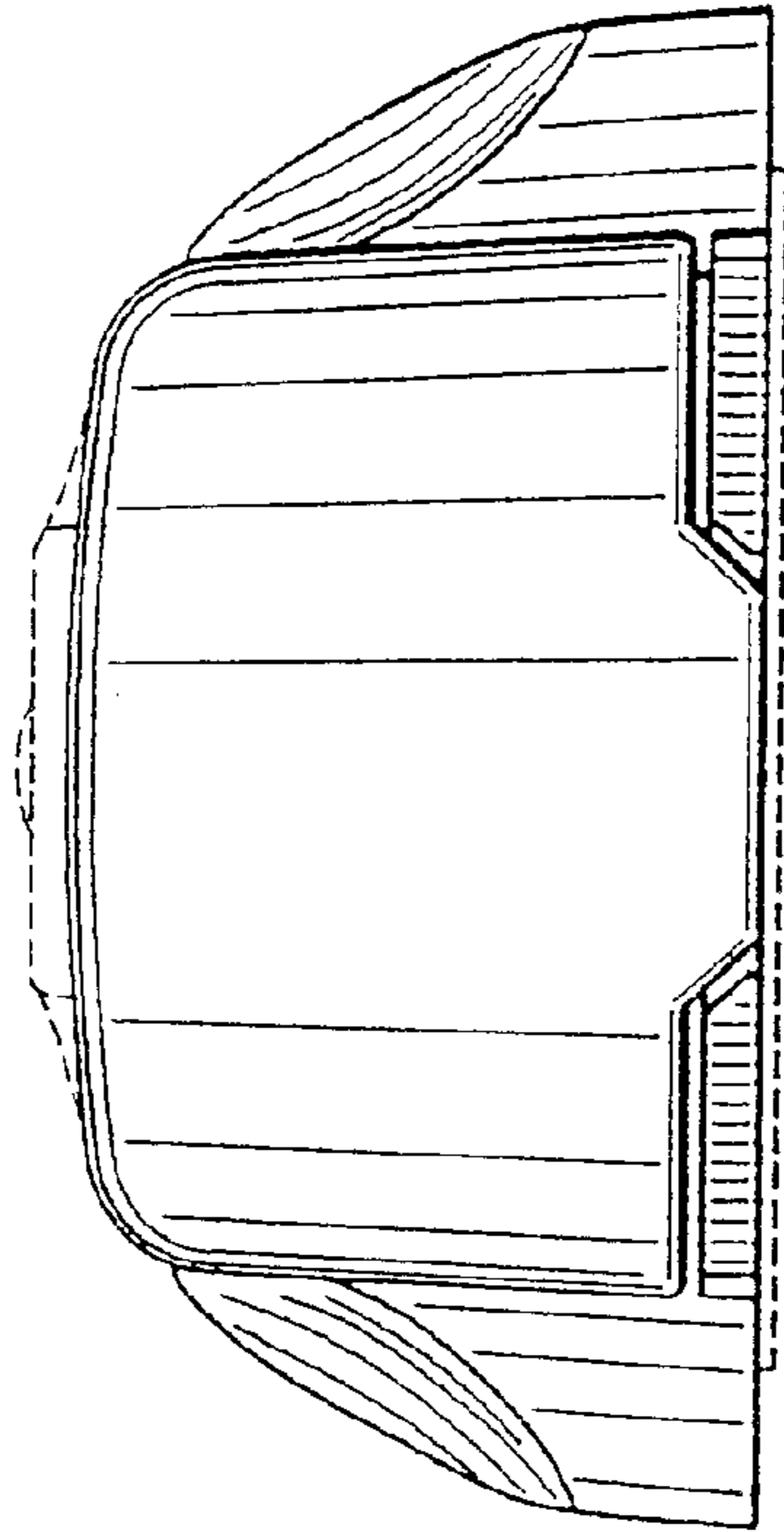


FIG. 7

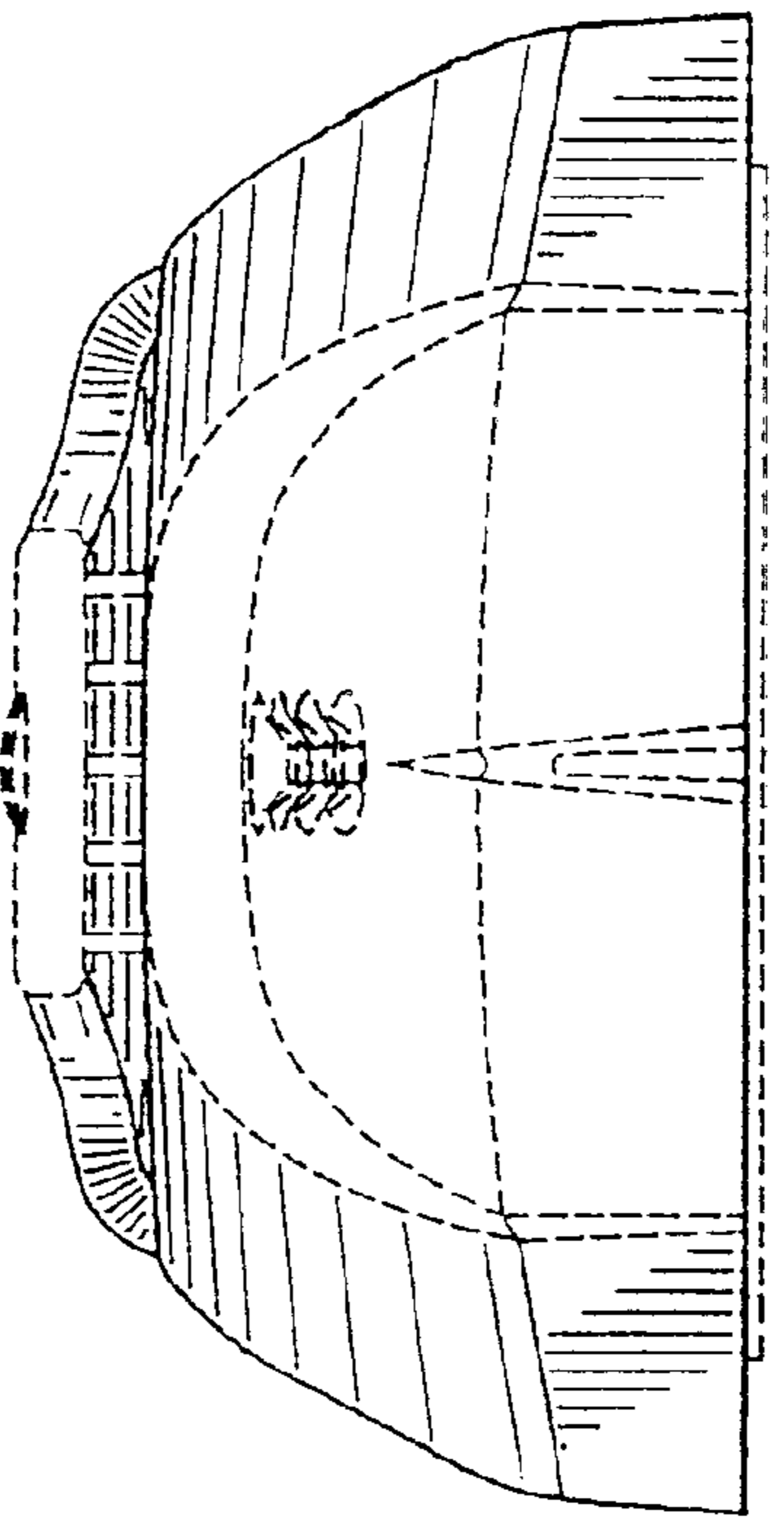


FIG. 8