



US00D455737S

(12) **United States Design Patent**
Salmi et al.

(10) **Patent No.:** **US D455,737 S**

(45) **Date of Patent:** **** Apr. 16, 2002**

(54) **KEY ARRAY FOR A HANDSET**

(75) Inventors: **Pertti Salmi**, Oulu (FI); **Jeffrey Higashi**, San Pedro, CA (US); **Jamie Langford**, Grapevine; **Duncan Burns**, Dallas, both of TX (US); **Frank Nuovo**, Los Angeles, CA (US)

(73) Assignee: **Nokia Mobile Phones Ltd.**, Espoo (FI)

(**) Term: **14 Years**

(21) Appl. No.: **29/137,985**

(22) Filed: **Mar. 2, 2001**

(51) **LOC (7) Cl.** **14-03**

(52) **U.S. Cl.** **D14/247**

(58) **Field of Search** D14/137, 138,
D14/218, 147-148, 247-249, 144, 455,
456, 341-347, 338-340, 399, 426, 387,
429, 453; 379/433.01-433.13, 434, 419,
420.01-420.04, 428.01-428.02, 440, 368-370;
455/550-575, 90; D13/168, 103; D18/2,
7, 12

(56) **References Cited**

U.S. PATENT DOCUMENTS

D395,431 S * 6/1998 Harris et al. D14/138

D408,824 S * 4/1999 Johansson et al. D14/247
D409,204 S * 5/1999 Vuolteenaho D14/247
D422,596 S * 4/2000 Nakahara et al. D14/247
D424,571 S * 5/2000 Finkbeiner D14/247
D425,904 S * 5/2000 Frye et al. D14/247
6,148,075 A * 11/2000 Inubushi et al. 379/368
D440,561 S * 4/2001 Kolinen D14/247
D448,021 S * 9/2001 Arbisi et al. D14/248
D448,367 S * 9/2001 Johansson D14/247

* cited by examiner

Primary Examiner—Jeffrey Asch

(57) **CLAIM**

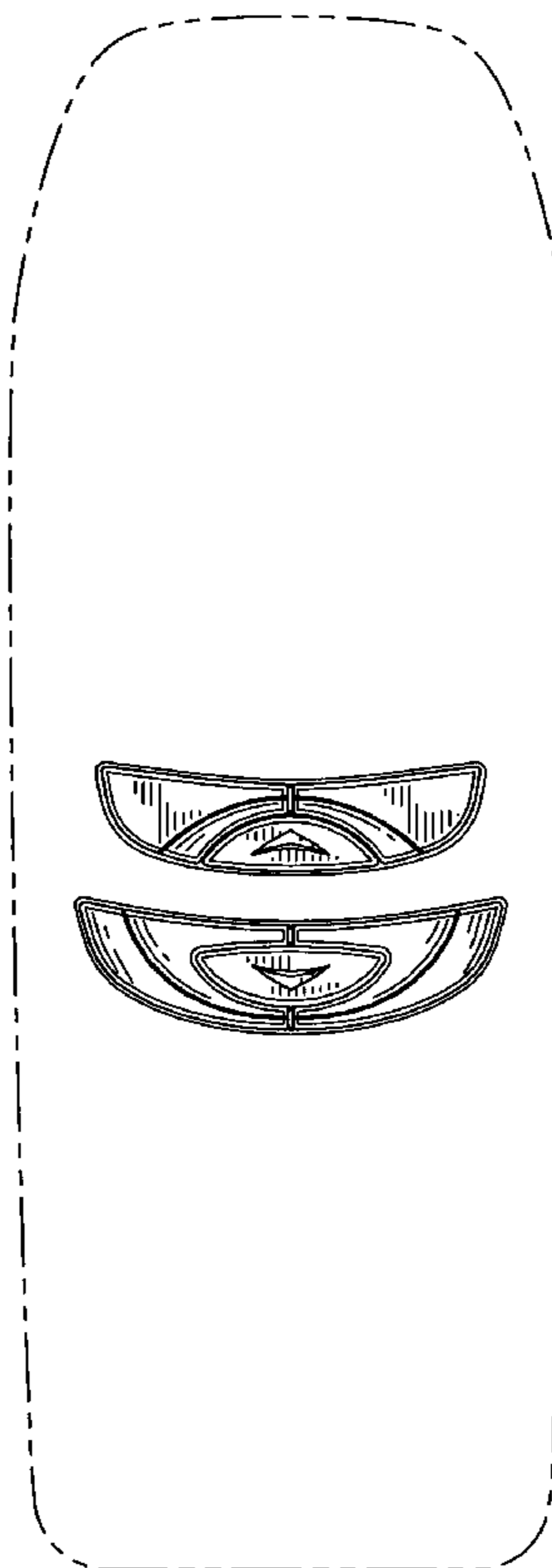
We claim the ornamental design for the key array for a handset, as shown.

DESCRIPTION

FIG. 1 is a front view of the key array for a handset; FIG. 2 is a perspective front view thereof; and, FIG. 3 is a perspective rear view thereof.

The portions of the drawings shown in broken lines are for illustrative purposes only and form no part of the claimed design.

1 Claim, 1 Drawing Sheet



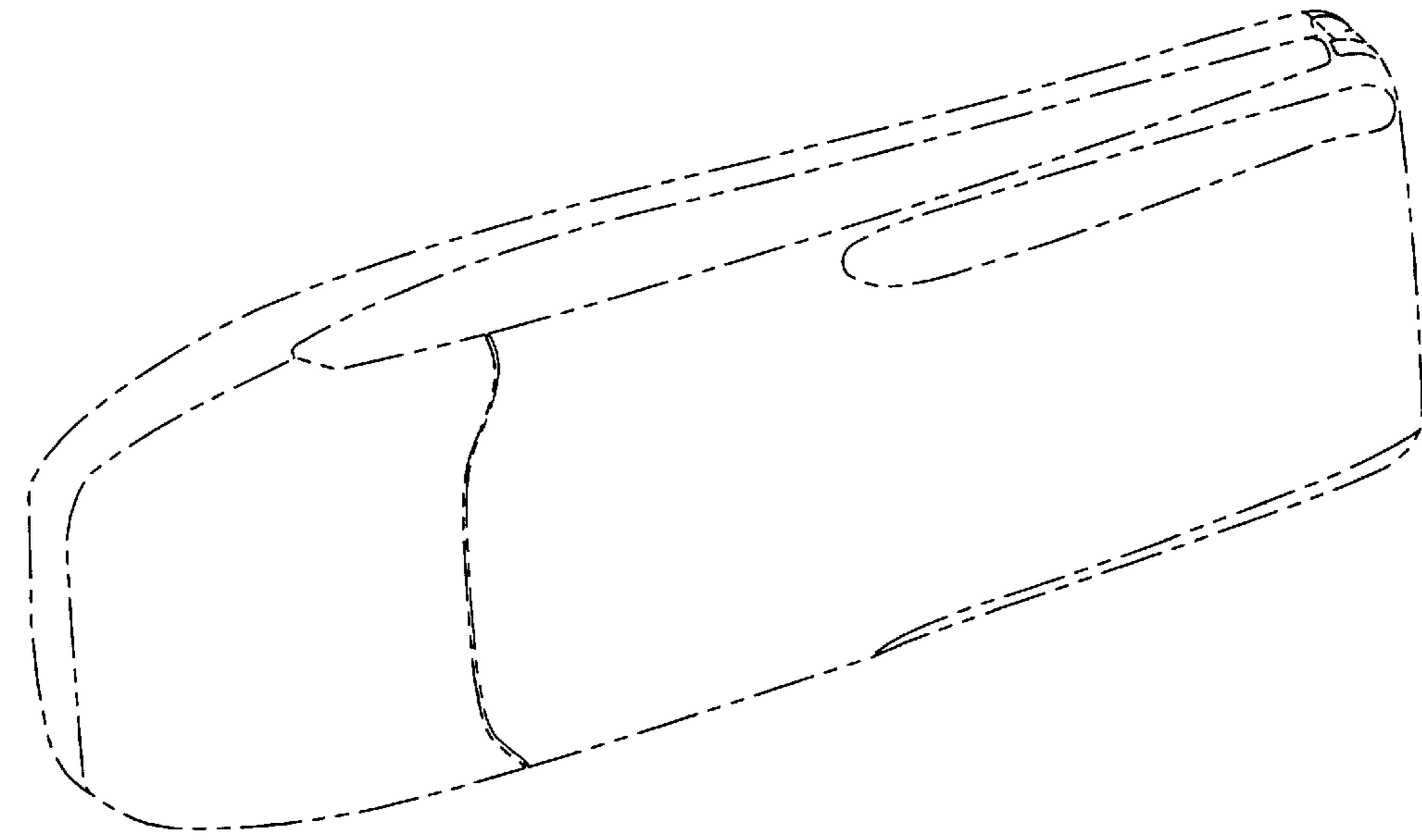


FIG. 3

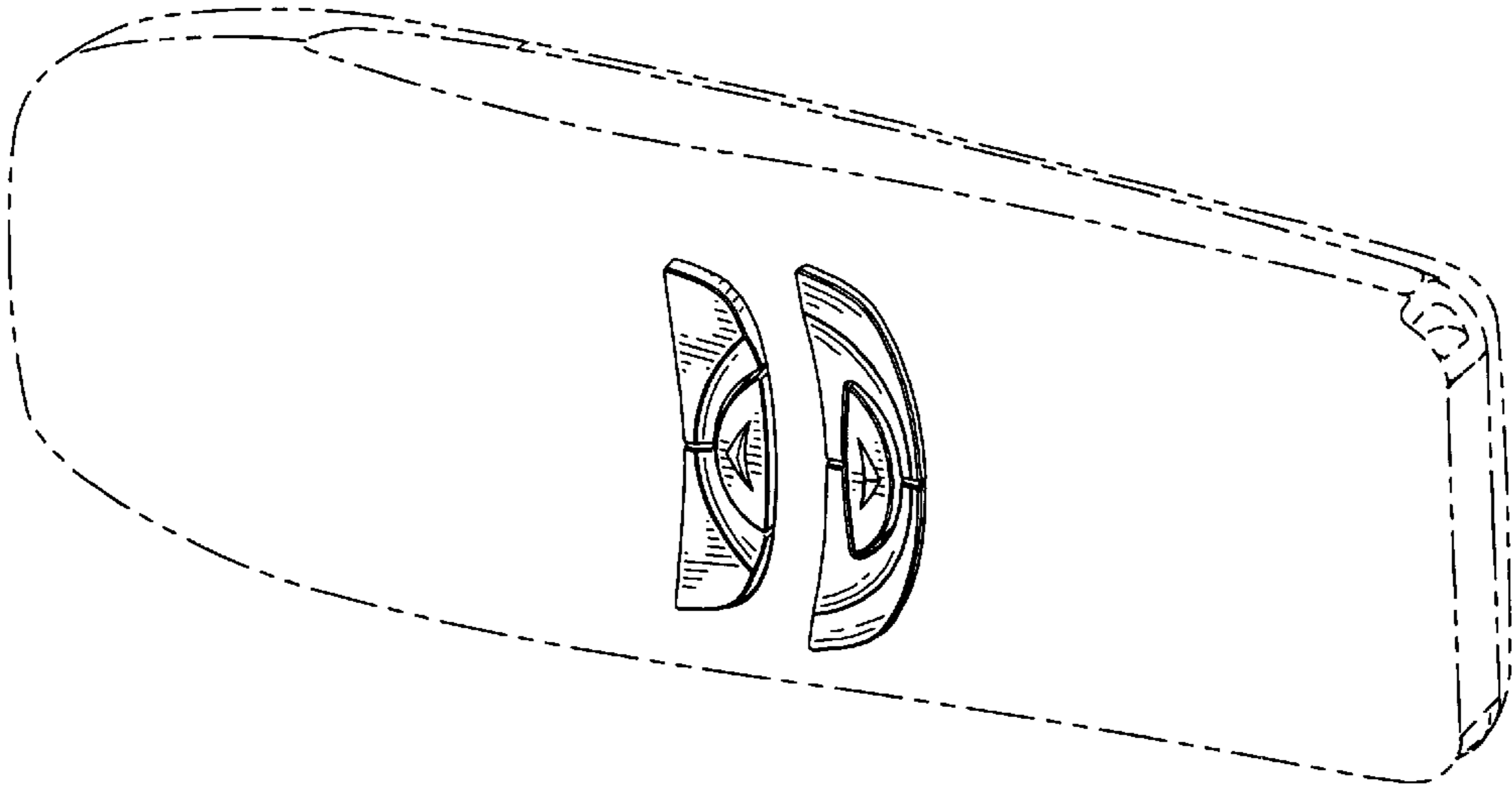


FIG. 2

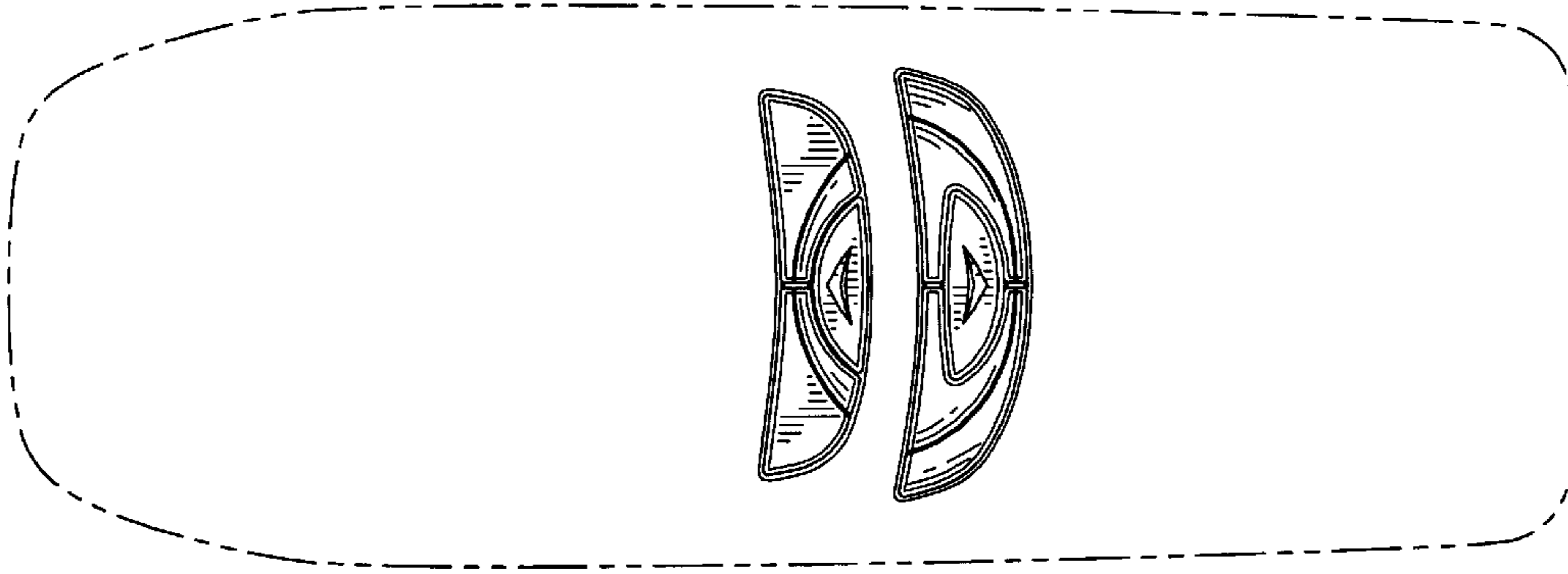


FIG. 1