



US00D455733S

(12) **United States Design Patent**  
**Stompler et al.**

(10) **Patent No.:** **US D455,733 S**

(45) **Date of Patent:** **\*\* Apr. 16, 2002**

(54) **SPEAKER DRIVER FRAME**

(75) Inventors: **Thilo Christian Stompler**, LaJolla;  
**Cory Allen Jackson**, Fallbrook, both of  
CA (US)

(73) Assignee: **TC Sounds Inc.**, San Diego, CA (US)

(\*\*) Term: **14 Years**

(21) Appl. No.: **29/142,028**

(22) Filed: **May 18, 2001**

**Related U.S. Application Data**

(62) Division of application No. 29/130,440, filed on Oct. 3,  
2000.

(51) **LOC (7) Cl.** ..... **14-01**

(52) **U.S. Cl.** ..... **D14/224**

(58) **Field of Search** ..... D14/204, 207,  
D14/215-216, 221, 222, 224; 181/144-148,  
150-155, 157, 198-199; 381/300, 332-336,  
386, 430-433

(56) **References Cited**

**U.S. PATENT DOCUMENTS**

D191,403 S	*	9/1961	Perry	.....	D14/224
D282,065 S	*	1/1986	Piercy	.....	D14/224
D318,671 S	*	7/1991	Naumann	.....	D14/221 X
5,073,948 A	*	12/1991	Vandersteen	.....	381/433

\* cited by examiner

*Primary Examiner*—Nanda Bondade

(74) *Attorney, Agent, or Firm*—Michael W. Landry

(57) **CLAIM**

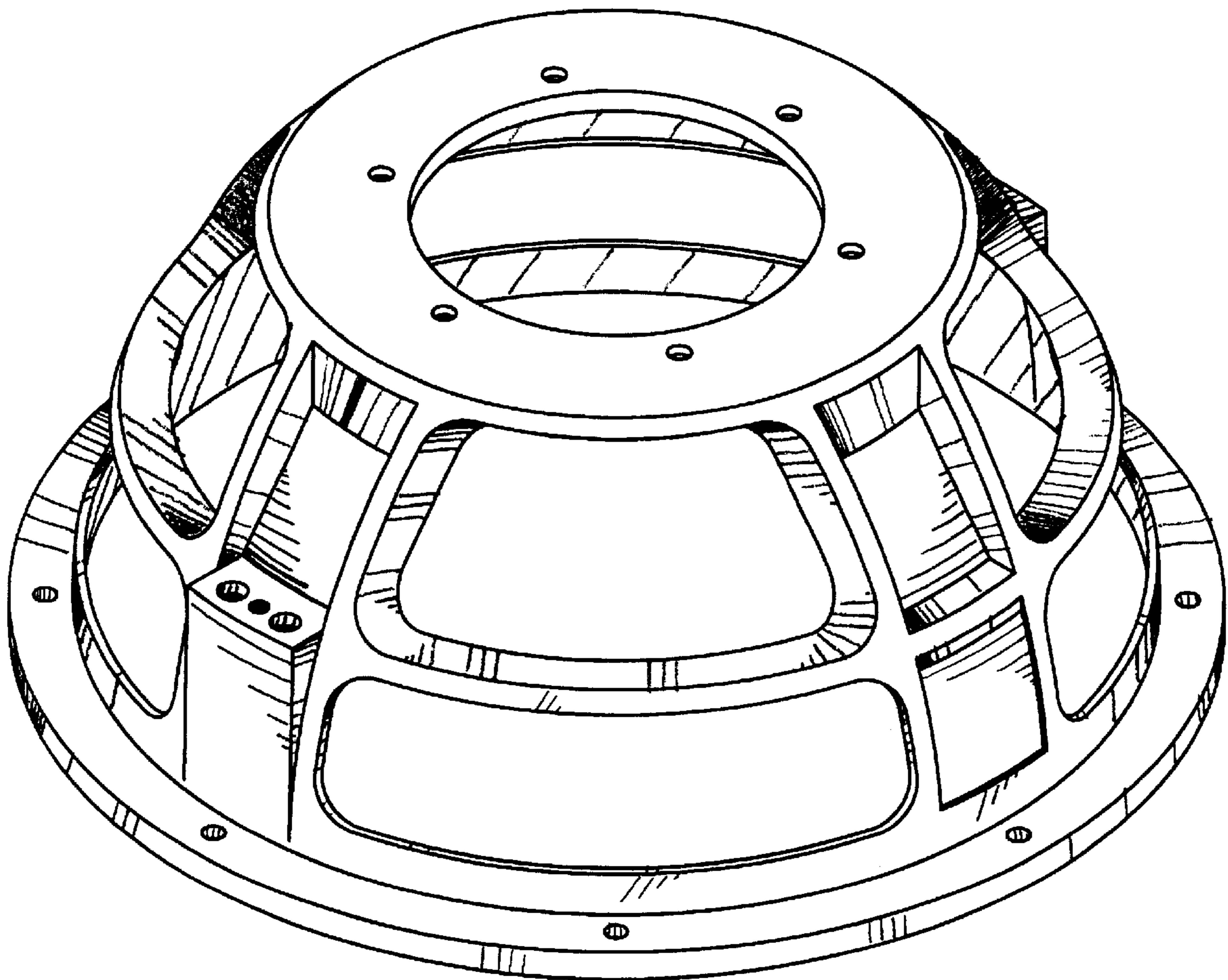
The ornamental design for a speaker driver frame, as shown  
and described.

**DESCRIPTION**

FIG. 1. is a top perspective view of a speaker driver frame  
design; and,

FIG. 2. is a bottom perspective view thereof.

**1 Claim, 2 Drawing Sheets**



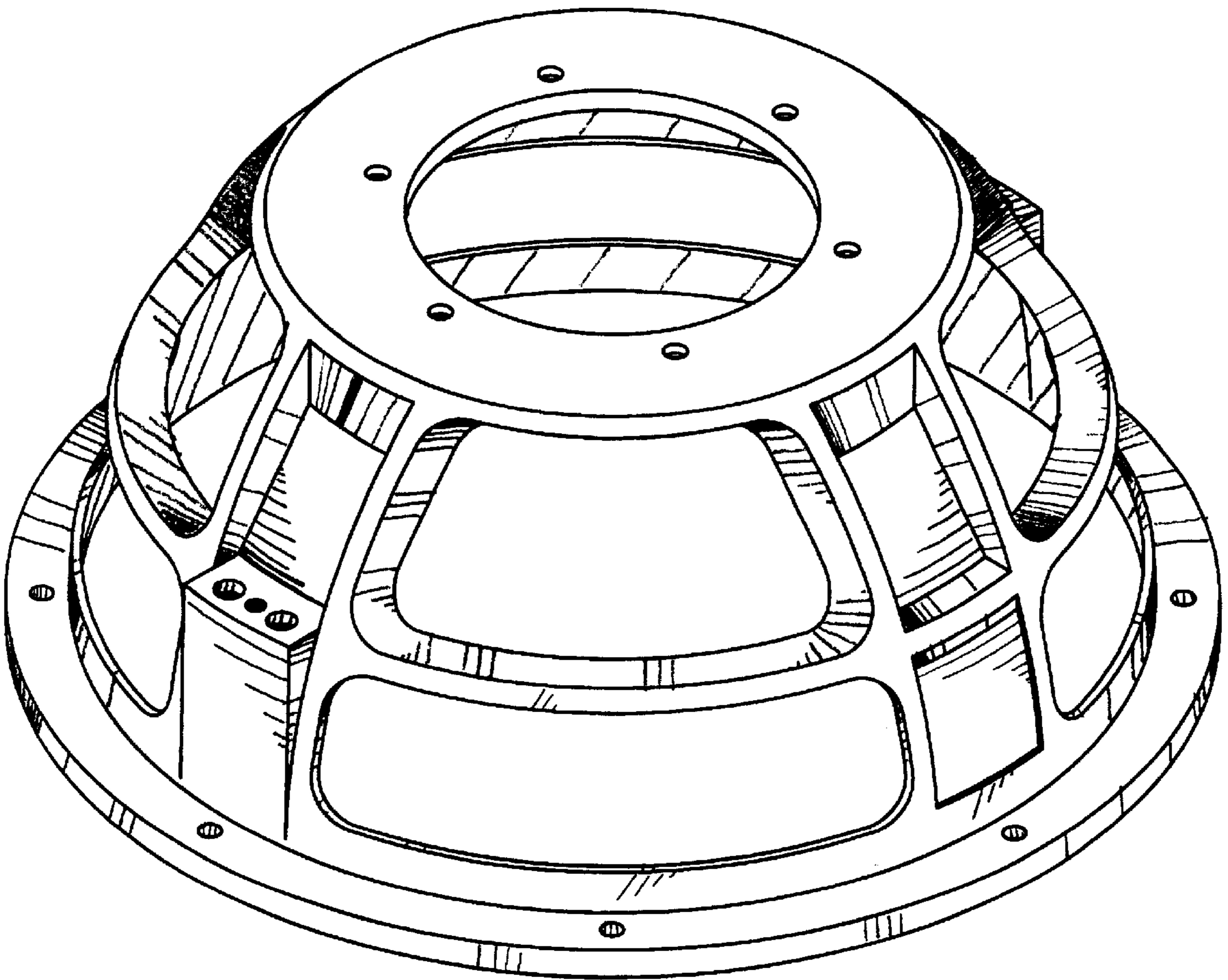


Fig. 1

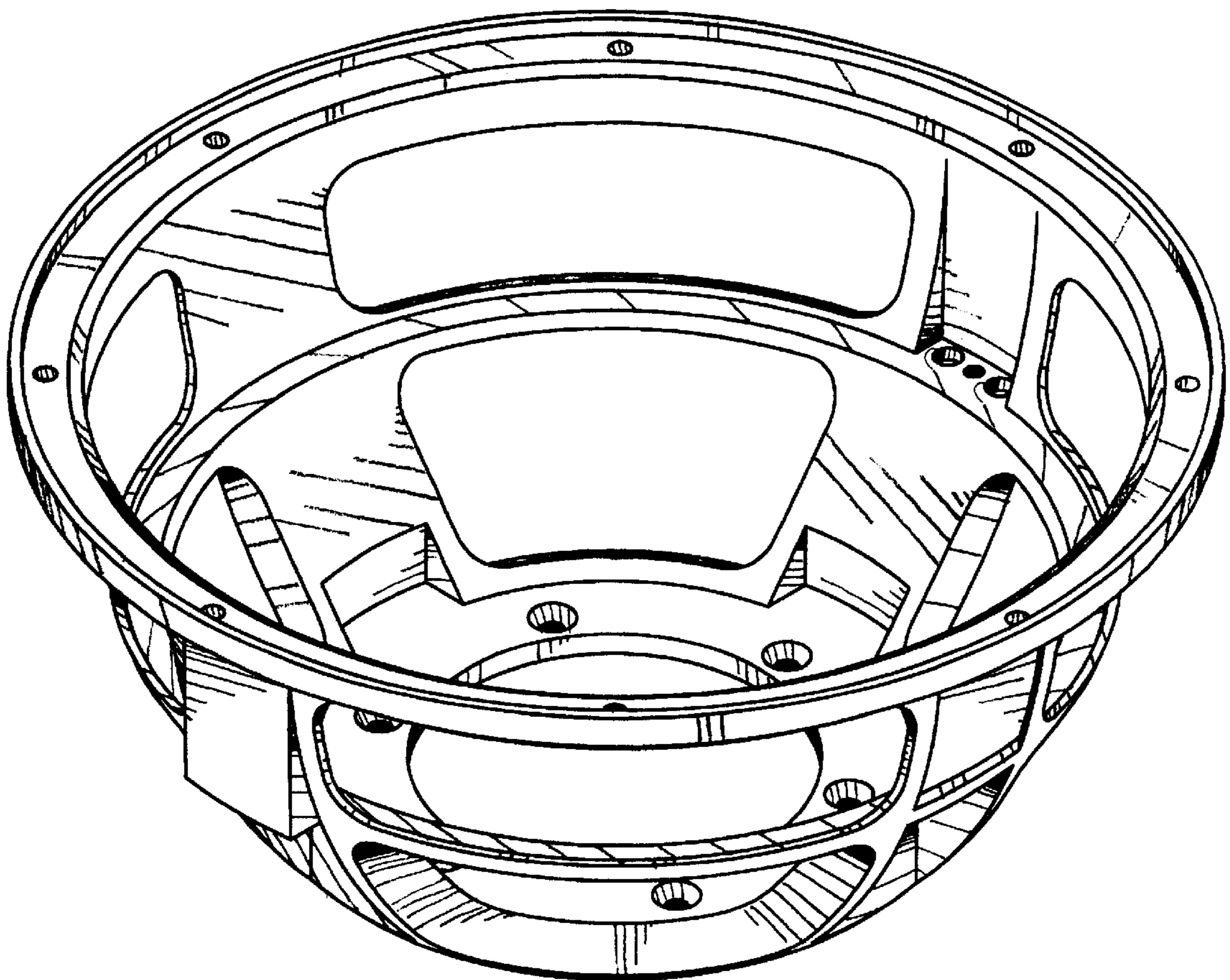


Fig. 2