



US00D455728S

(12) **United States Design Patent**  
**Kobayashi**

(10) **Patent No.:** **US D455,728 S**

(45) **Date of Patent:** **\*\* Apr. 16, 2002**

(54) **DISC PLAYER COMBINED WITH RADIO RECEIVER AND TAPE RECORDER**

D445,104 S \* 7/2001 Narita ..... D14/168

**OTHER PUBLICATIONS**

(75) Inventor: **Takayuki Kobayashi**, Tokyo (JP)

U.S. application No. 29/101,130, Kobayashi et al., filed Feb. 24, 1999.

(73) Assignee: **Sony Corporation**, Tokyo (JP)

Catalog "New Products" 4 sheets, Sony Corporation, Autumn 2000.

(\*\*) Term: **14 Years**

\* cited by examiner

(21) Appl. No.: **29/139,791**

*Primary Examiner*—Prabhakar Deshmukh

(22) Filed: **Apr. 6, 2001**

(74) *Attorney, Agent, or Firm*—Radar, Fishman & Grauer, PLLC

(51) **LOC (7) Cl.** ..... **14-01**

(52) **U.S. Cl.** ..... **D14/168; D14/217**

(58) **Field of Search** ..... D14/156, 160–165,  
D14/167, 168, 188, 193–198, 217, 299;  
455/344, 347–351

(57) **CLAIM**

The ornamental design for a disc player combined with radio receiver and tape recorder, as shown and described.

**DESCRIPTION**

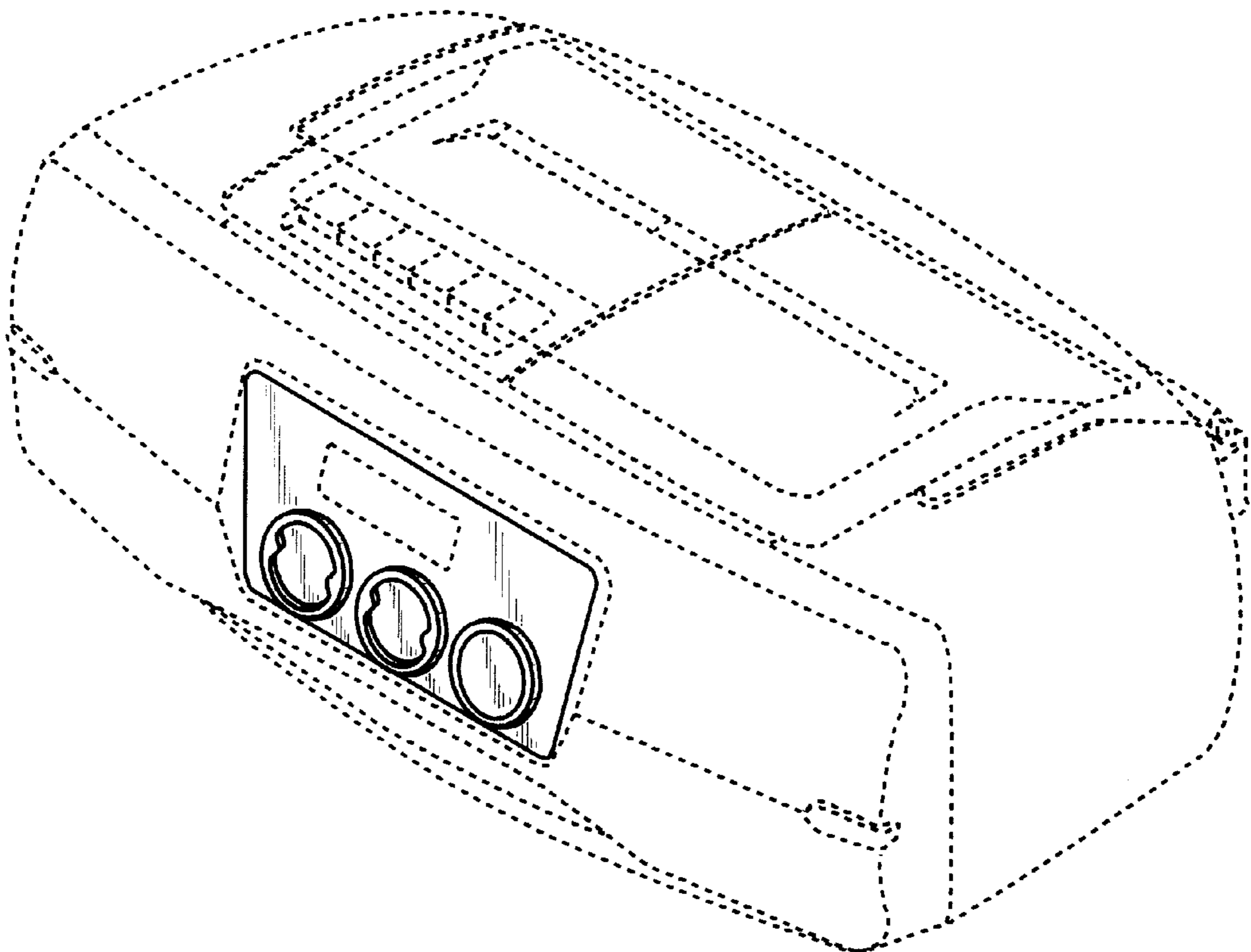
(56) **References Cited**

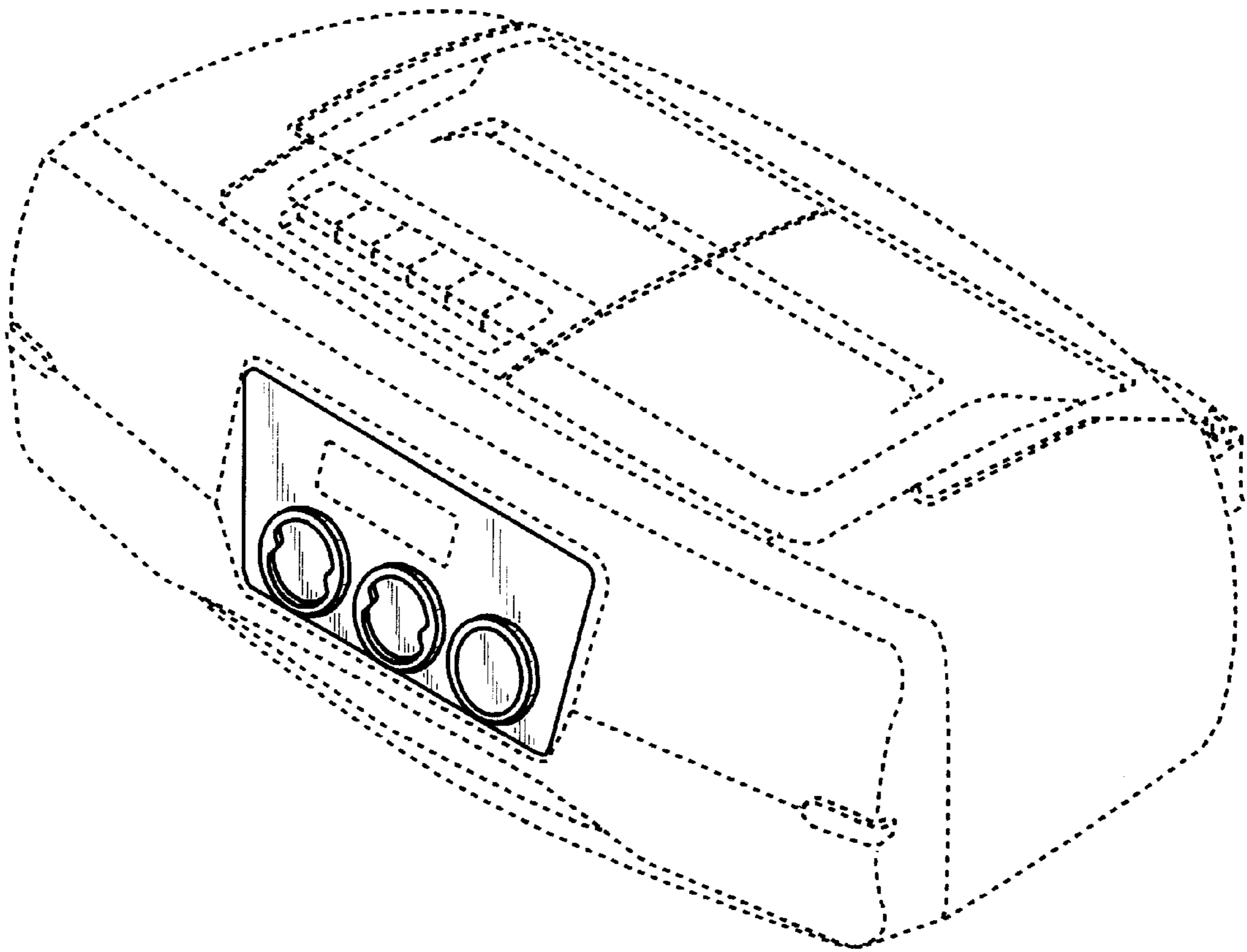
**U.S. PATENT DOCUMENTS**

4,181,823	A	*	1/1980	DeLamoreaux et al.	....	455/347
4,396,941	A	*	8/1983	Nishimura et al.	.....	345/156
4,639,225	A	*	1/1987	Washizuka	.....	455/347
D366,658	S	*	1/1996	Fukutome	.....	D14/168
5,867,774	A	*	2/1999	Summers et al.	.....	455/348
D423,501	S	*	4/2000	Kokkinis	.....	D14/168
D425,062	S	*	5/2000	Kokknis	.....	D14/168
D430,135	S	*	8/2000	Isonaga	.....	D14/168
D434,025	S	*	11/2000	Zeitman	.....	D14/168
D440,550	S	*	4/2001	Nakano	.....	D14/168

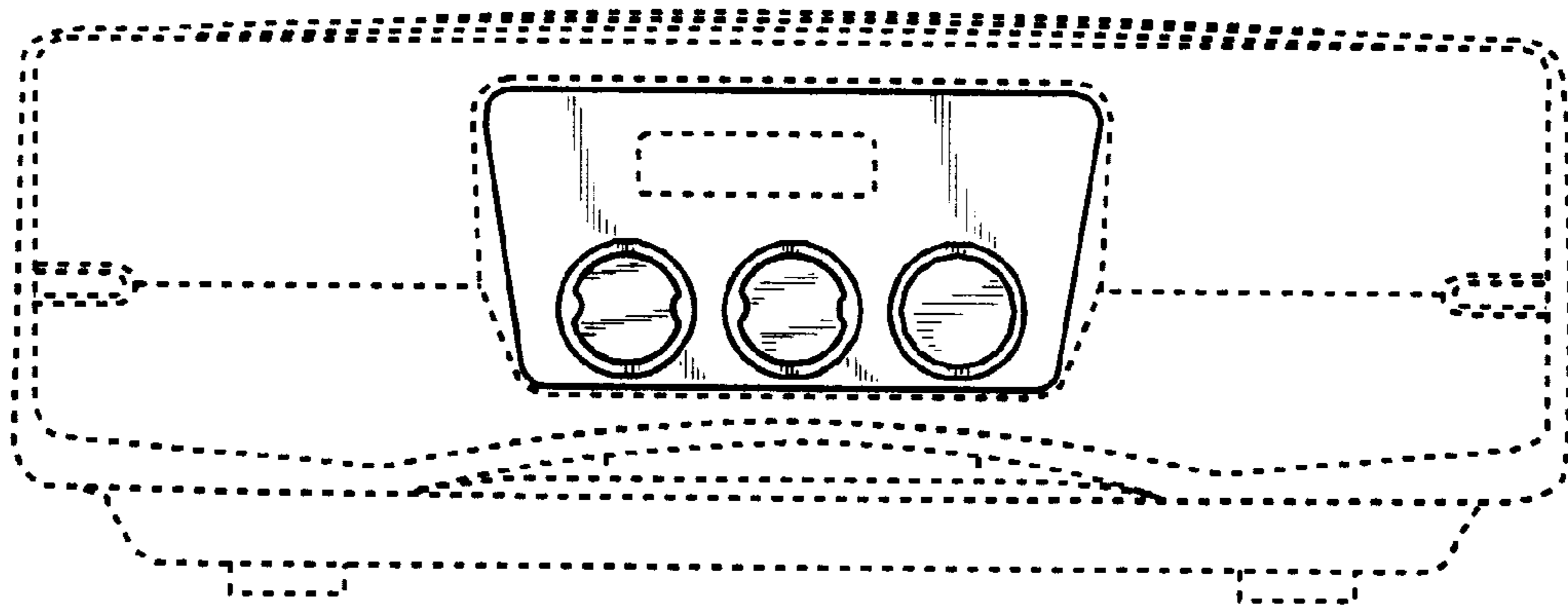
FIG. 1 is a perspective view of a disc player combined with radio receiver and tape recorder showing my new design; FIG. 2 is a front elevational view thereof; FIG. 3 is a top plan view thereof; FIG. 4 is a bottom plan view thereof; FIG. 5 is a reference rear elevational view thereof; FIG. 6 is a reference left side elevational view thereof; and, FIG. 7 is a reference right side elevational view thereof. The portions in broken lines are for illustrative purposes only and form no part of the claimed design.

**1 Claim, 4 Drawing Sheets**

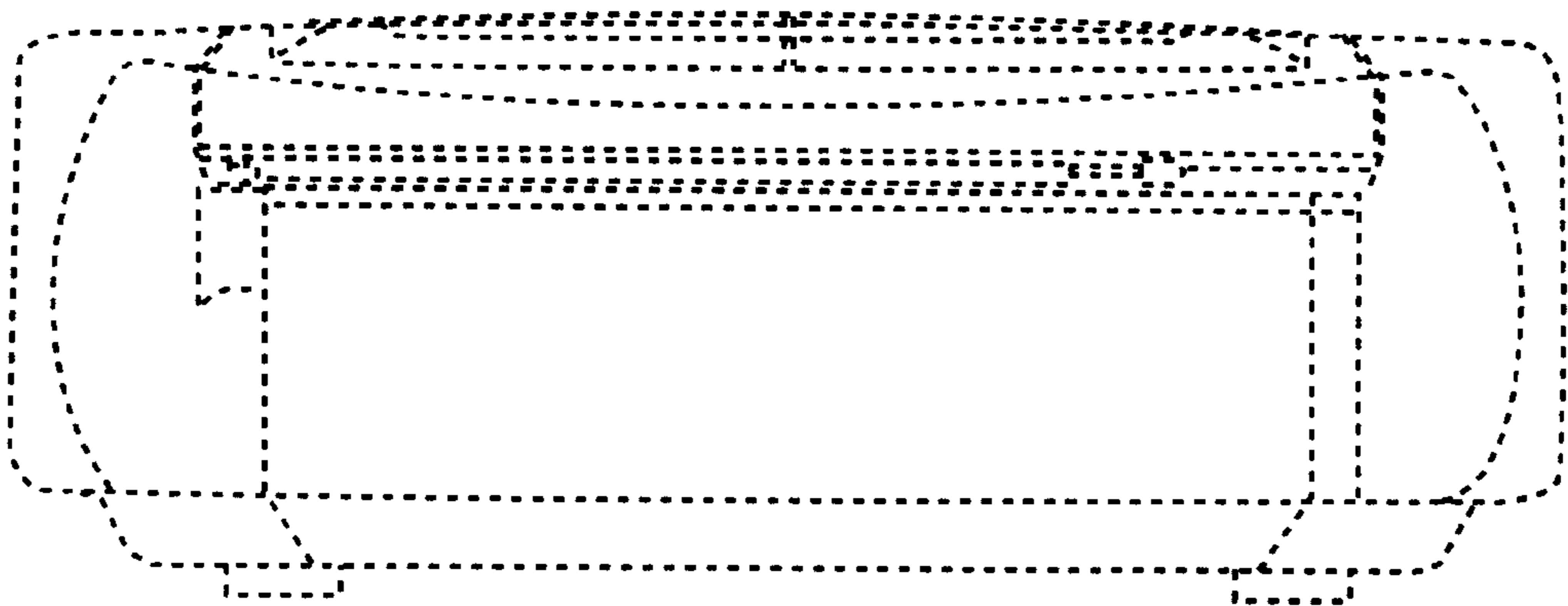




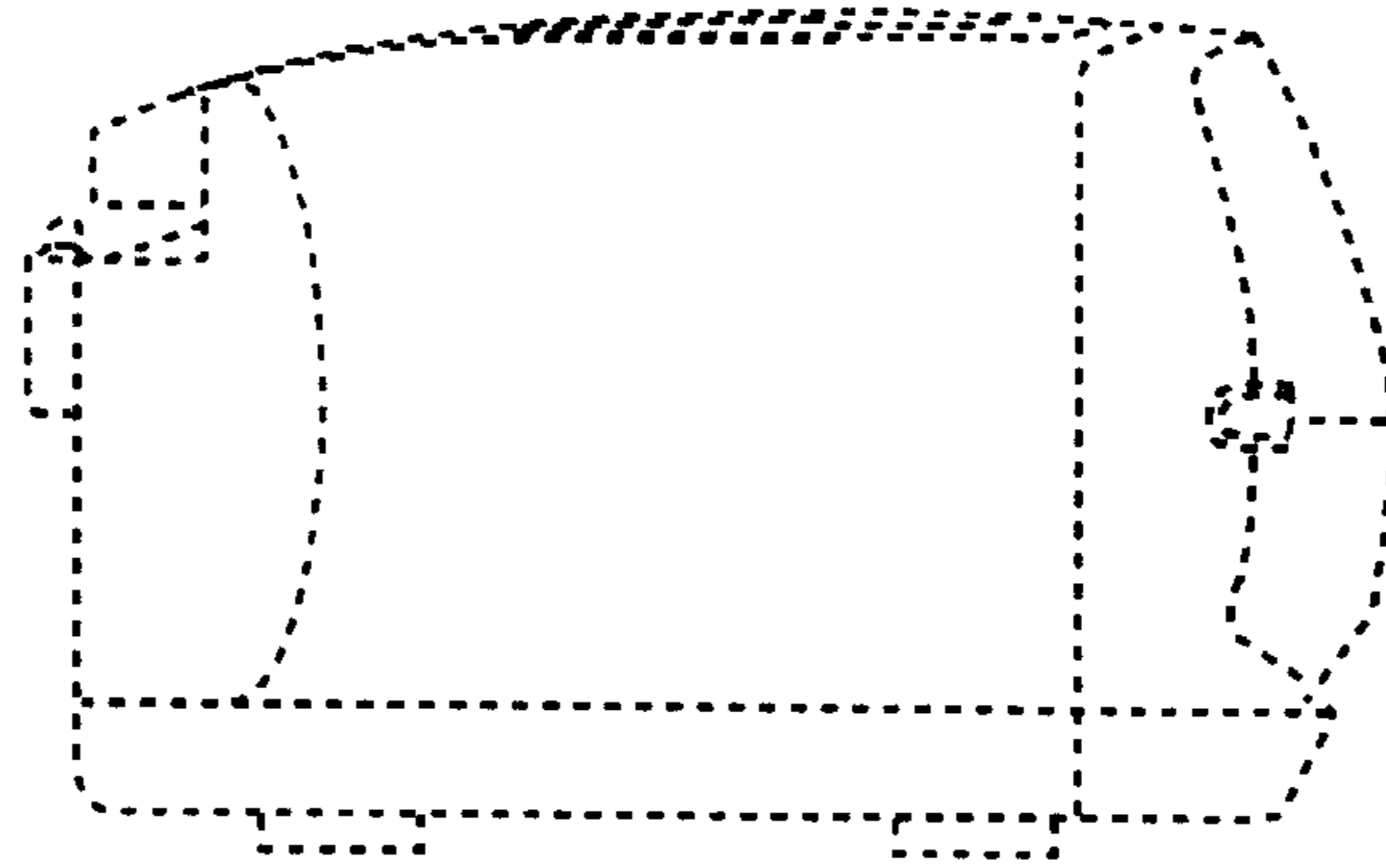
**Fig. 1**



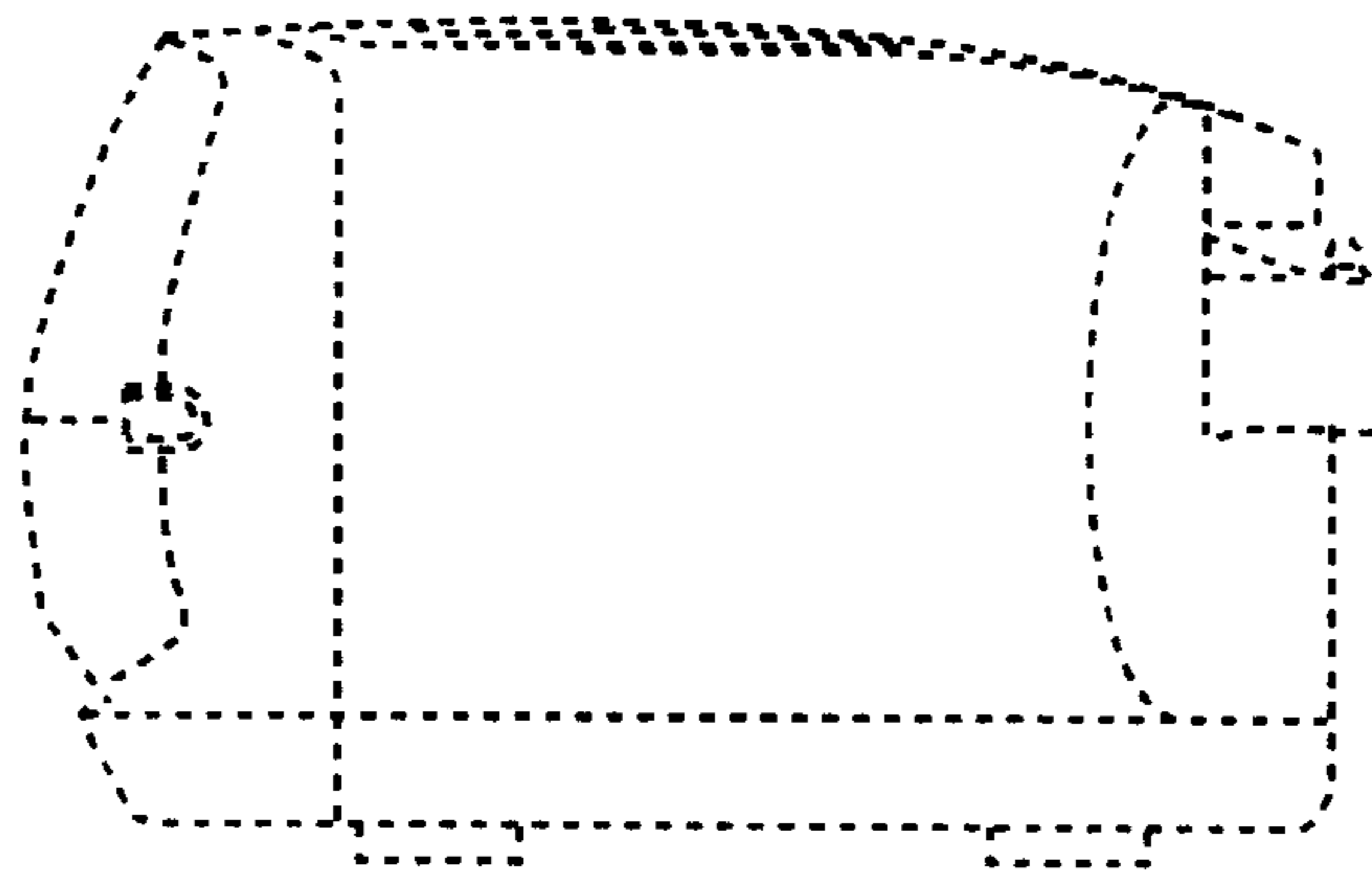
**Fig. 2**



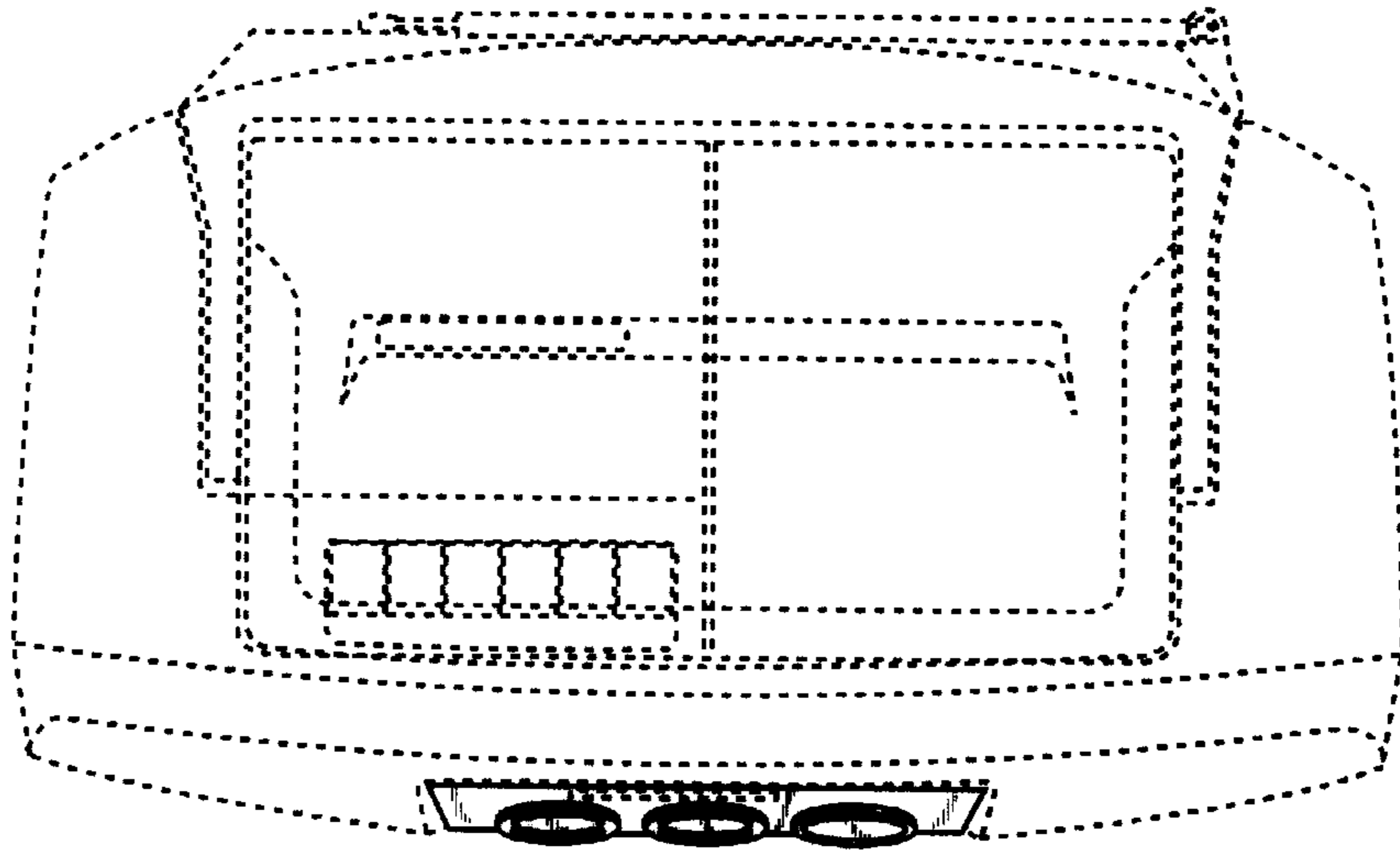
**Fig. 3**



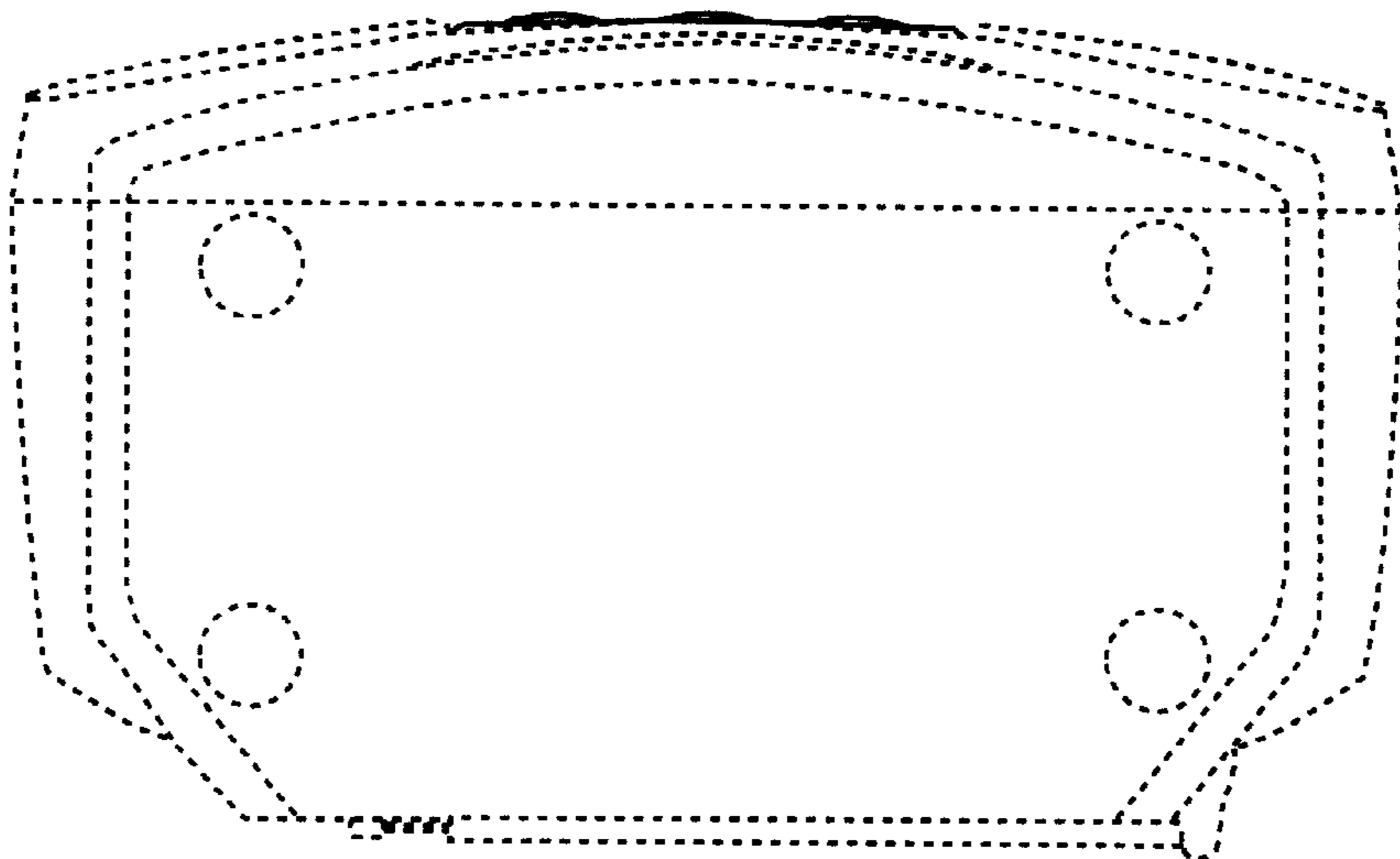
**Fig. 4**



**Fig. 5**



**Fig. 6**



**Fig. 7**