



US00D455724S

(12) **United States Design Patent**
Cornille

(10) **Patent No.:** **US D455,724 S**

(45) **Date of Patent:** **** Apr. 16, 2002**

(54) **EQUIPMENT COVER**

(75) Inventor: **Thomas G. Cornille**, New Hope, MN
(US)

(73) Assignee: **Honeywell International Inc.**,
Morristown, NJ (US)

(**) Term: **14 Years**

(21) Appl. No.: **29/138,424**

(22) Filed: **Mar. 13, 2001**

(51) **LOC (7) Cl.** **13-03**

(52) **U.S. Cl.** **D13/184**

(58) **Field of Search** D13/184, 152;
D14/240, 314, 444, 446; 174/48-49, 50-67,
65 R, 58; 312/223.1, 223.2; 361/679, 724,
829; 379/399; D23/364, 355

(56) **References Cited**

U.S. PATENT DOCUMENTS

D389,809 S * 1/1998 Tirrell D13/184
D396,460 S * 7/1998 Su D14/115
D402,022 S * 12/1998 Termeer et al. D23/364
5,934,774 A * 8/1999 Wu et al. 312/223.2

D414,188 S * 9/1999 Matthews et al. D14/240
D416,882 S * 11/1999 Jean et al. D14/115
D428,605 S * 7/2000 Claprod et al. D13/184
D432,098 S * 10/2000 Nelson et al. D13/184
D437,635 S * 2/2001 Lozzio et al. D23/364
D439,255 S * 3/2001 Jean et al. D14/444
D440,978 S * 4/2001 Jean et al. D14/444

* cited by examiner

Primary Examiner—Ted Shooman

Assistant Examiner—Daniel Bui

(57) **CLAIM**

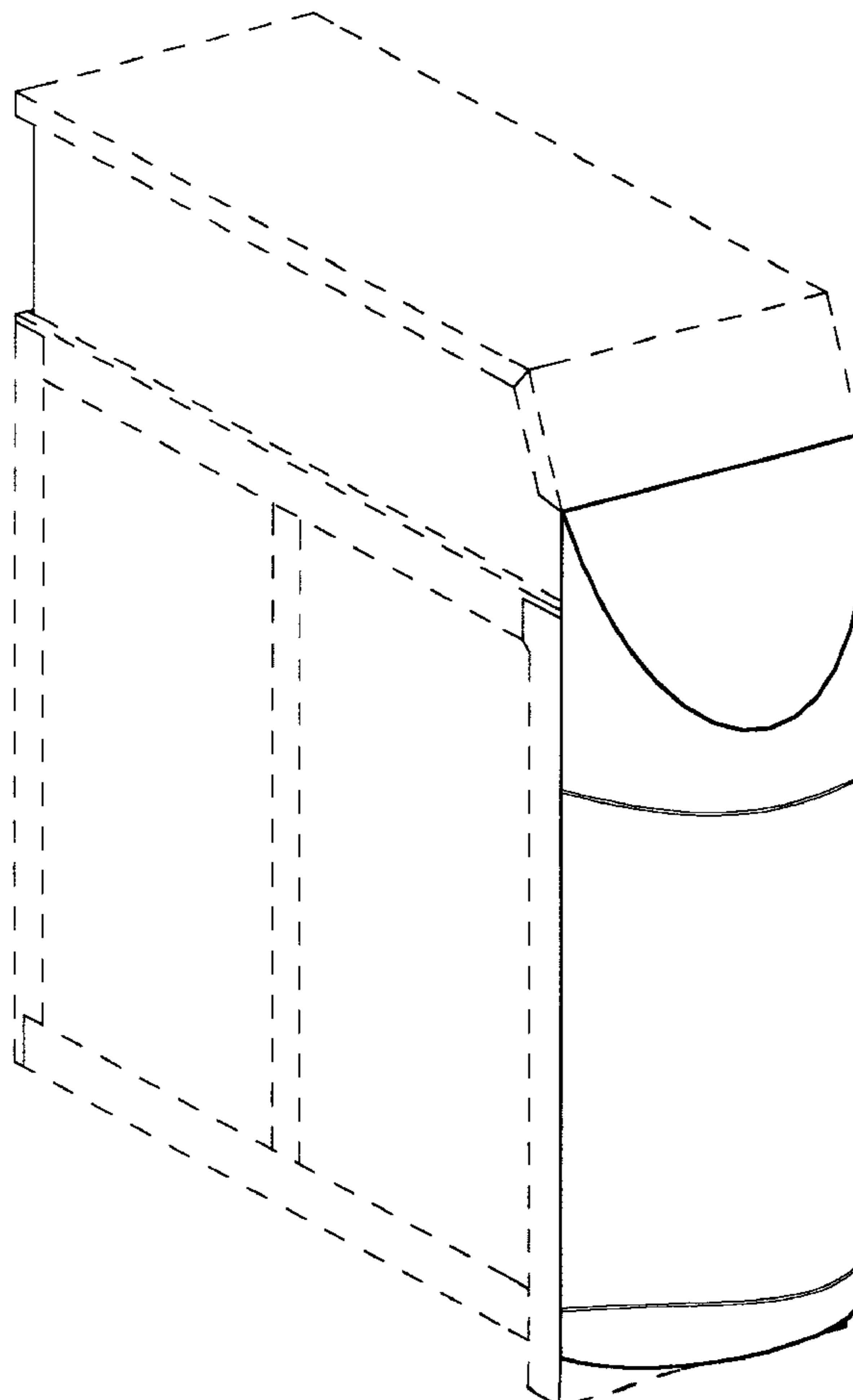
The ornamental design for an equipment cover, substantially as show and described.

DESCRIPTION

FIG. 1 is a perspective view of an equipment cover showing my design; the broken lines showing of environment are for illustrative purposes only and form no part of my claimed design; and,

FIGS. 2-6 are respectively left, front, right, top, and bottom elevation views of the version of the cover shown in FIG. 1 in its normal orientation.

1 Claim, 2 Drawing Sheets



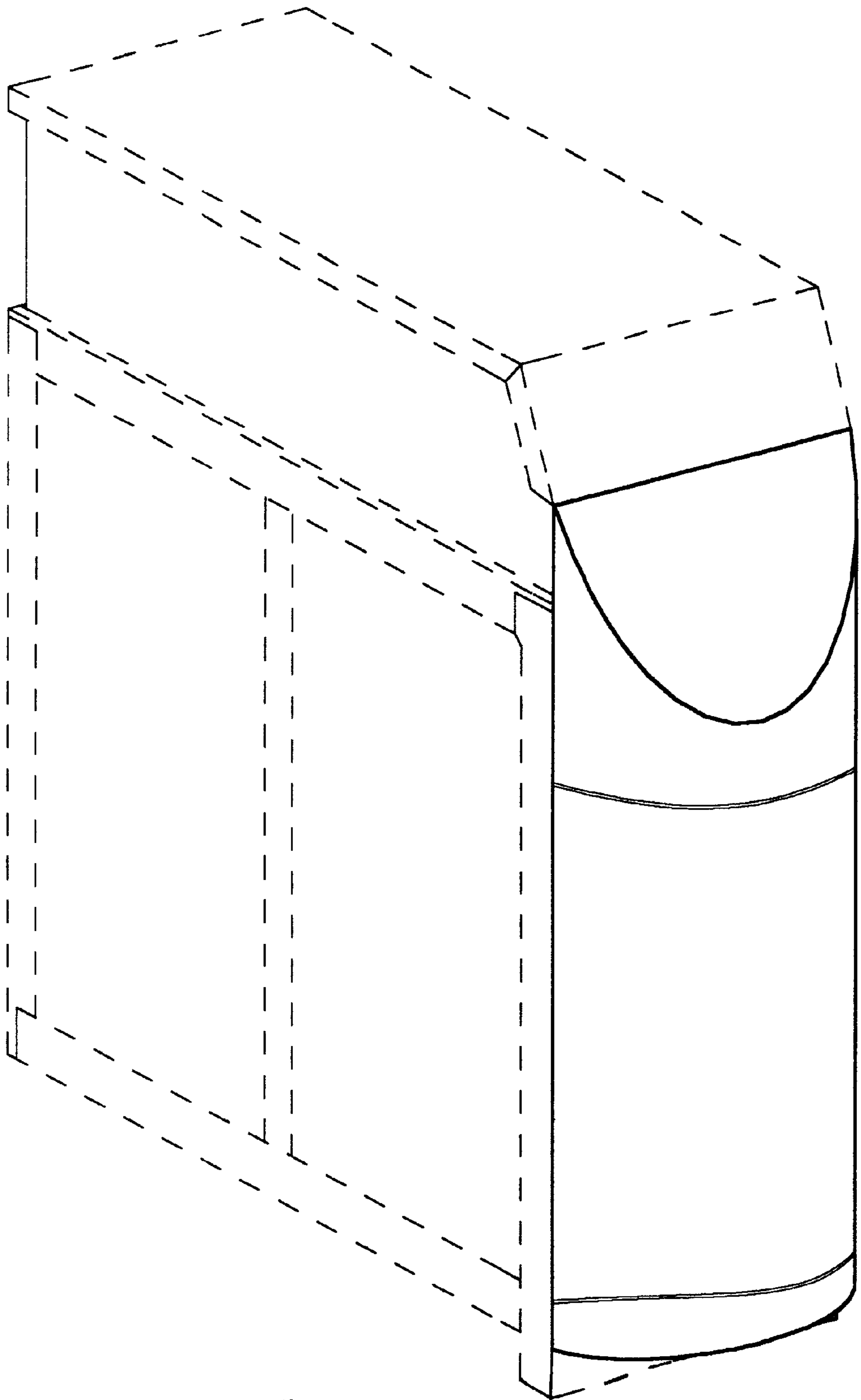


Fig. 1

